



PORCH RAIL™

INSTALLATION INSTRUCTIONS

- Level Rail 2
- Stair Rail 8
- Care & Maintenance, Finishing 15



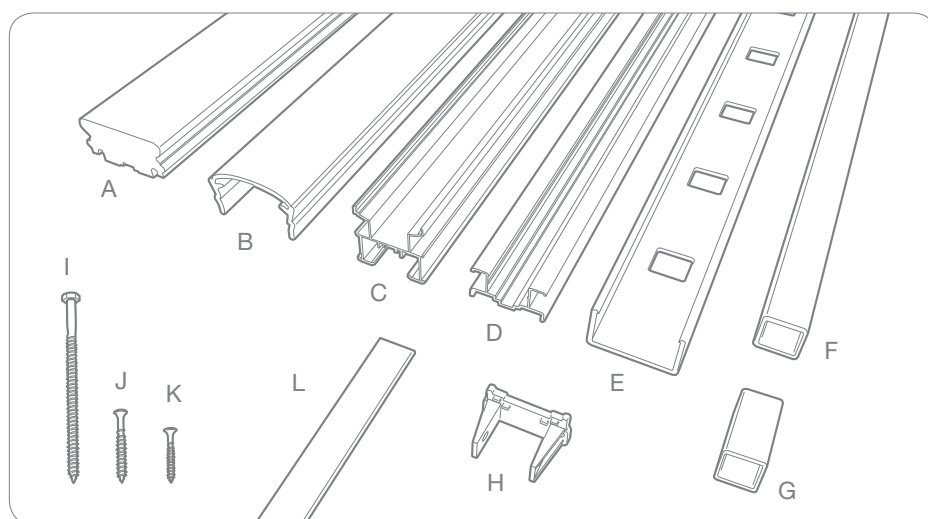
COMPONENT LIST

LEVEL RAIL KIT

Porch Rail was designed to meet the most stringent building codes. An evaluation report is available through your Porch Rail Distributor or through RDI Customer Service.

COMPONENTS:

Depending on the level kit and kit length you purchased your component list will vary. Use this as a guide to identify the individual components.



	Standard Rail Kit	Wood Cover Rail Kit
A.) Wood Top Cover	X	Sold Separately
B.) Top Cover	1	X
C.) Top Beam	1	X
D.) Bottom Beam	1	2
E.) Beam Cover	2	2
F.) Baluster - Quantities Vary by Length-Round Iron & Glass Balusters Sold Separately		
G.) Bottom Rail Support	1	1
H.) Level Mounting Bracket	4	4
I.) Screw (#12 x 5")	1	1
J.) Screw (#10 x 2")	8	8
K.) Screw (#8 x 1")	8	8
L.) Foam-Baluster Option Kits Only	2	2

Warning:
Always wear
safety goggles.

STANDARD LEVEL RAIL KITS

1.

Prepare all posts and mounting surfaces before installation.

NOTE: Check with your local building code office for design load requirements for guard rails and bottom space requirements. All supporting structures should be built in accordance with applicable building codes.

2.

Establish the level placement of the lower rail so there is no more than a 4" space from the bottom of the rail to the standing surface. Mark the post or mounting surface at this dimension. (See Fig. 1)

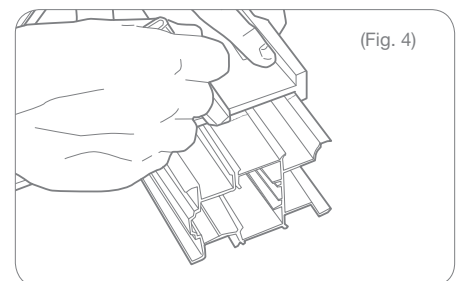
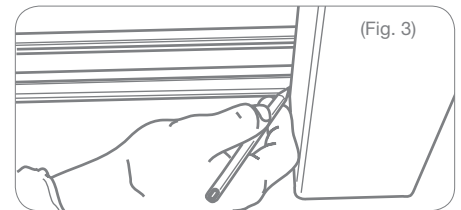
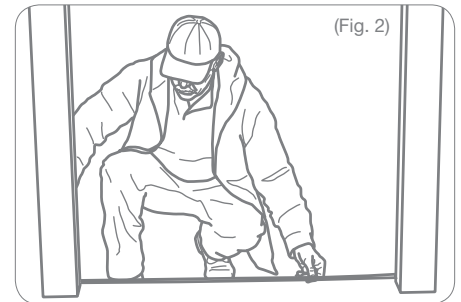
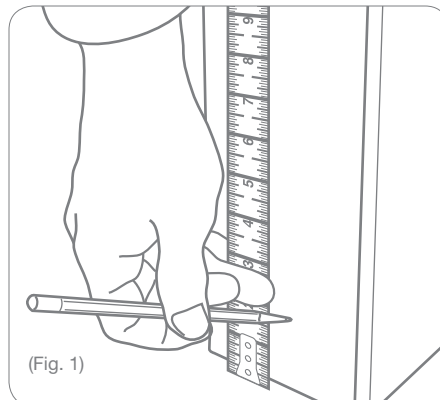
Tip:
Standard Porch Rail measures 36" in height with a 2" space below the bottom rail (See NOTE in Step 1).

3.

Measure the finished opening space between surfaces where the railing is to be installed. Transfer this measurement to the bottom beam (D) and subtract 1/2" to allow for the mounting brackets (Fig. 2).

Tip 1:
If all of your mounting surfaces are plumb, transfer your measurements from the bottom beam to the top beam (C). Cut the beams to the measurement (Fig. 5, 6).

Continued on next page. >>



4.

>> Continued from previous page.

Tip :

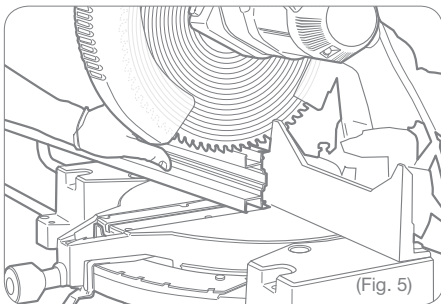
If using a power saw, a carbide tip blade of at least 60 teeth is recommended.

Place one of the beam covers (E) across the opening where the railing is to be installed (Fig. 7). Measure from the mounting surface to the first baluster hole on each end (Fig. 8), and adjust until these dimensions are equal. Trace the post edge onto the beam cover (E) at each end (Fig. 9).

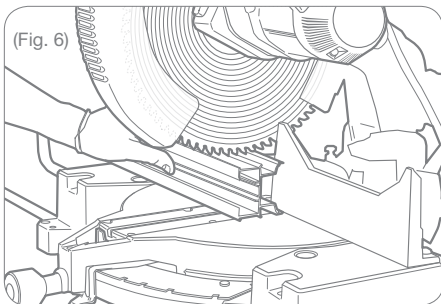
Tip:

If all of mounting surfaces are plumb, transfer your measurements and baluster layout from the bottom beam cover (E) to the top beam cover (E) (Fig. 10).

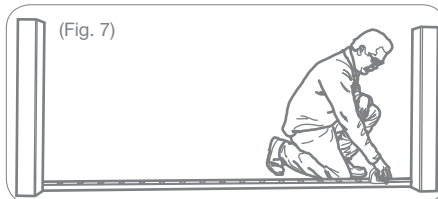
NOTE: A minimum of 1" from the edge of the first baluster hole to the end of the routed beam cover (E) is necessary.



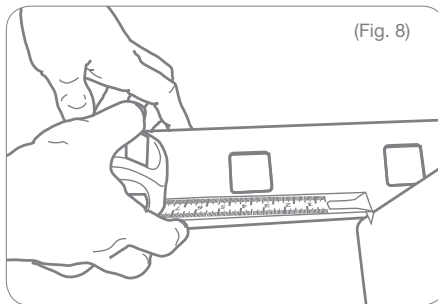
(Fig. 5)



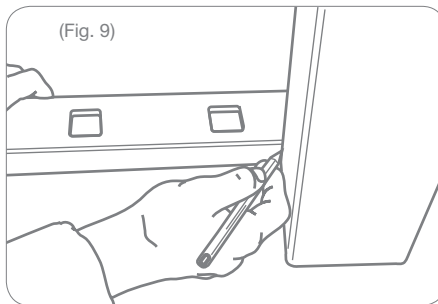
(Fig. 6)



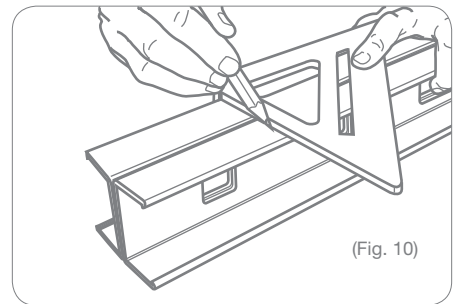
(Fig. 7)



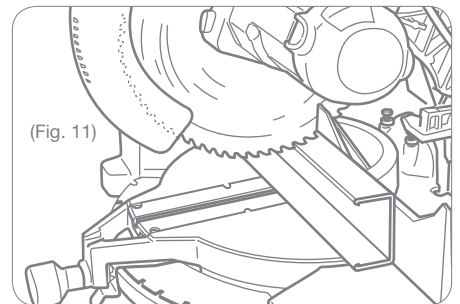
(Fig. 8)



(Fig. 9)



(Fig. 10)



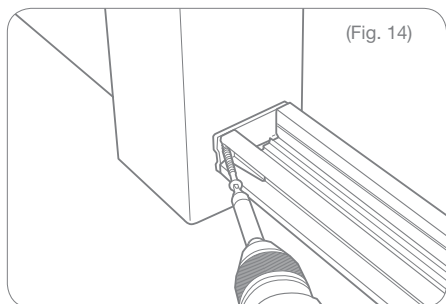
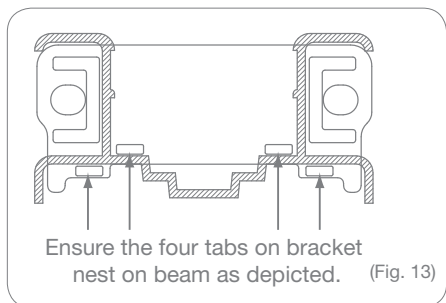
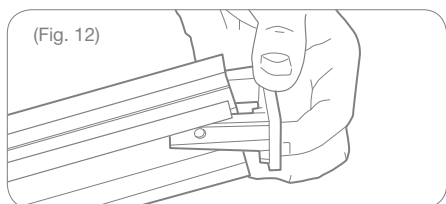
(Fig. 11)

5.

Insert mounting brackets (H) in each end of bottom beam (Fig. 12); ensure proper alignment (Fig. 13). Place the bottom beam on the marks determined in Step 2.

Secure the brackets to the post using mounting screws (J) (Fig. 14). Secure the brackets to the beam using mounting screws (K).

Tip:
You can cut wood blocks to support the bottom beam at the proper height during installation (Fig. 15).

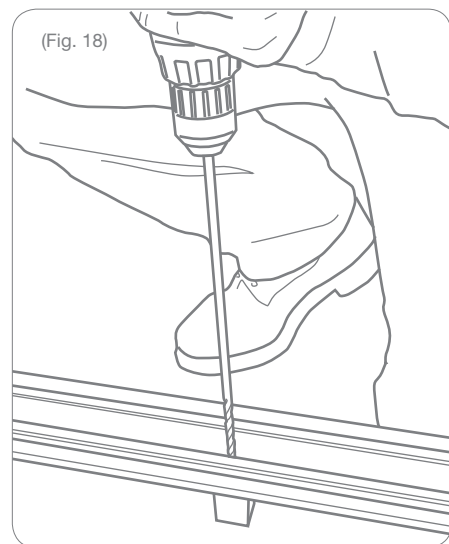
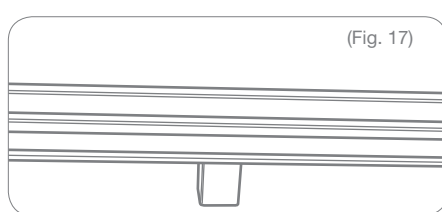
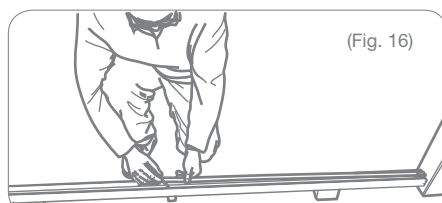
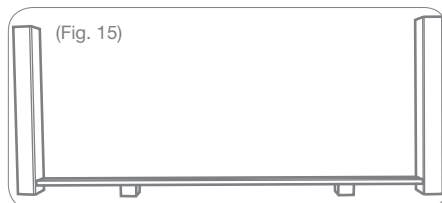


6.

Cut the bottom rail support (G) to the bottom space determined in Step 2 and place it under the bottom beam at the center point (Fig. 16 and 17).

Pre-drill using a 1/4" drill bit for the bottom rail support screw (I) (Fig. 18).

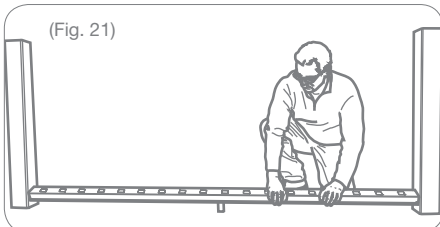
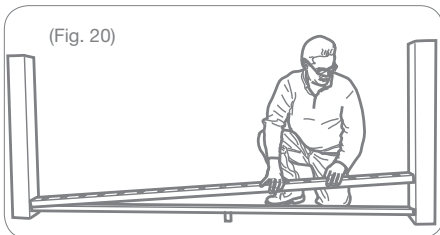
Secure the bottom rail support to the standing surface with screw provided (I).



7.

Snap the bottom beam cover (E) over the bottom beam (D) (Fig. 20, 21).

If installing glass or iron balusters, insert foam strip (L) into baluster channel prior to snapping on beam cover (E).



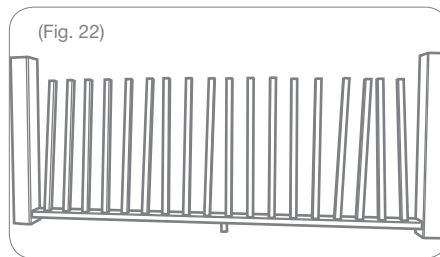
8.

Insert a baluster (F) in each hole of the bottom beam cover (E) (Fig. 22).

Starting at one end of the rail section, slide the top beam cover (E) (routed flat side facing down) on top of the balusters (Fig. 23).

Insert each baluster into the corresponding rout in the top beam cover (E). Let top beam cover (E) slide down on balusters, this will be used after top beam (C) and top cover (B) installations are complete (See Step 11).

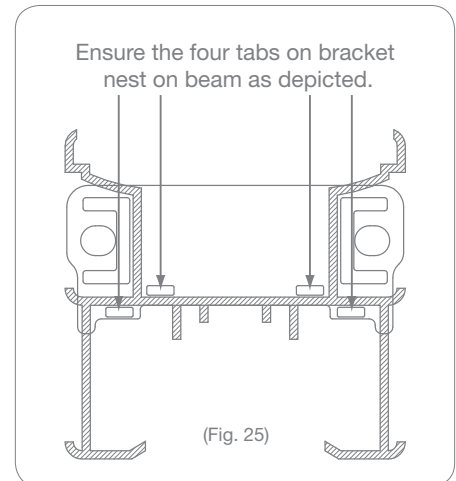
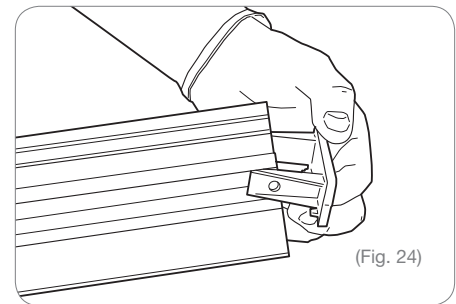
++++
IF INSTALLING THE WOOD TOP COVER (A) SKIP TO PAGE 14 OF THIS INSTALLATION GUIDE AND THEN RETURN TO COMPLETE STEP 12.
++++



9.

If your top beam (C) was not previously cut (Step 3), measure your finished cut opening, deduct 1/2", and cut.

Insert mounting brackets (H) in each end of top beam (C) (Fig. 24); ensure proper alignment (Fig. 25).

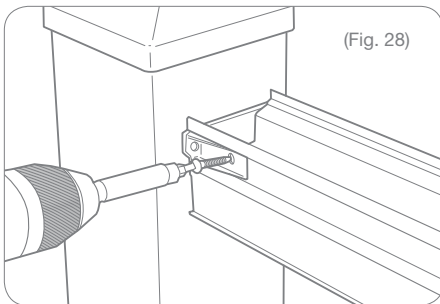
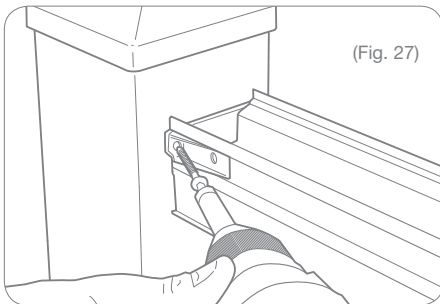
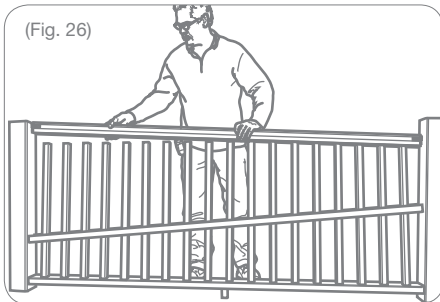




10.

Place the top beam (C), as oriented in Fig. 25, between the posts and on top of the balusters (Fig. 26).

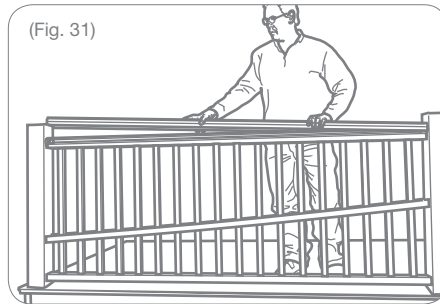
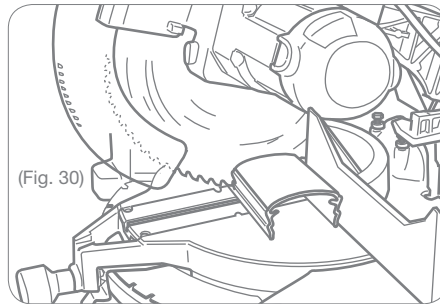
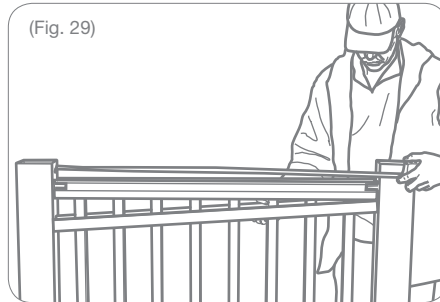
Secure the brackets to the post using mounting screws (J) (Fig. 27). Secure the brackets to the beam using mounting screws (K) (Fig. 28).



11.

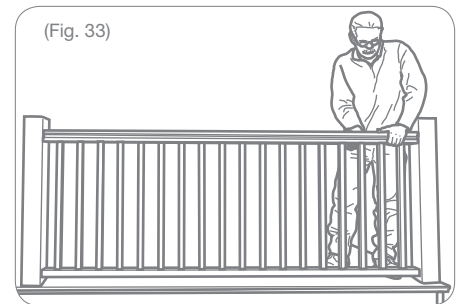
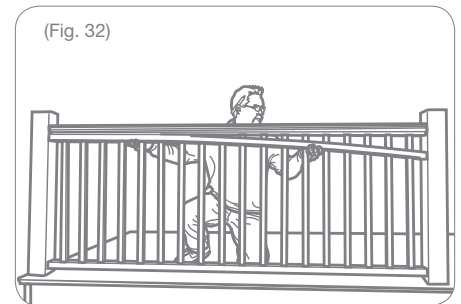
Measure for length (Fig. 29) and cut the top cover (B) to fit (Fig. 30).

Snap the top cover (B) onto the top beam (C) by rolling the cover to one side, engaging the locking strip. Then, roll the top cover (B) to the other side while applying downward pressure. Work from one end of the rail to the other until the full length of the cover locks into place (Fig. 31).



12.

Slide the top beam cover (E) up onto the underside of the top beam (C) and snap into place (Fig. 32, 33).



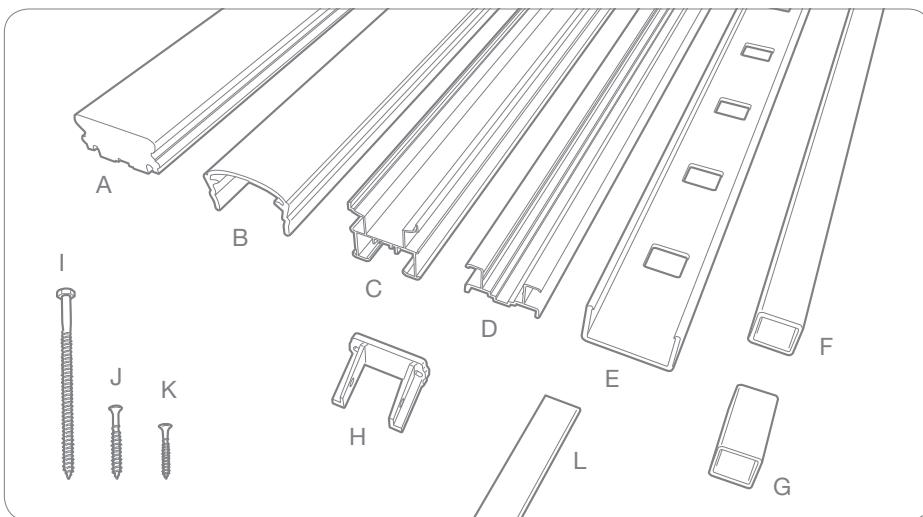
COMPONENT LIST

STAIR RAIL

Porch Rail was designed to meet the most stringent building codes. An evaluation report is available through your Porch Rail Distributor or through RDI Customer Service.

COMPONENTS:

Depending on the stair kit and kit length you purchased your component list will vary. Use this as a guide to identify the individual components.



	Standard Rail Kit	Wood Cover Rail Kit
A.) Wood Top Cover	X	Sold Separately
B.) Top Cover	1	X
C.) Top Beam	1	X
D.) Bottom Beam	1	2
E.) Beam Cover	2	2
F.) Baluster - Quantities Vary by Length-Round Iron & Glass Balusters Sold Separately		
G.) Bottom Rail Support	1	1
H.) Stair Mounting Bracket	4	4
I.) Screw (#12 x 5")	1	1
J.) Screw (#10 x 2")	8	8
K.) Screw (#8 x 1")	8	8
L.) Foam-Baluster Option Kits Only	2	2

Warning:
Always wear
safety goggles.

STANDARD STAIR KITS

1.

Prepare all posts and mounting surfaces before installation.

NOTE: Check with your local building code office for design load requirements for guard rails and bottom space requirements. All supporting structures should be built in accordance with applicable building codes.

2.

Temporarily secure a plank on the nose of the stairs along side of the posts onto which you are installing the stair rail (Fig. 1). The thickness of the plank will determine the space between the stairs and the bottom rail.

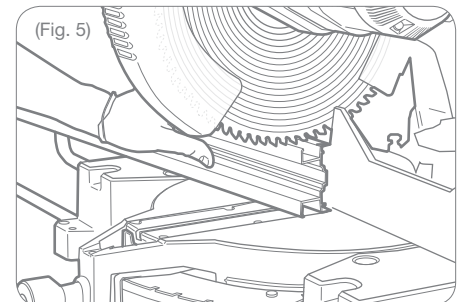
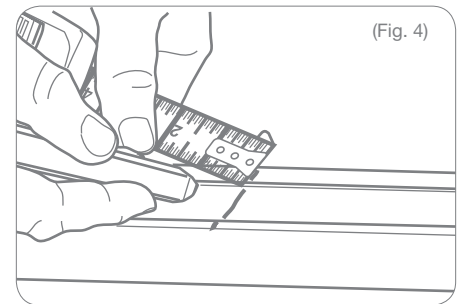
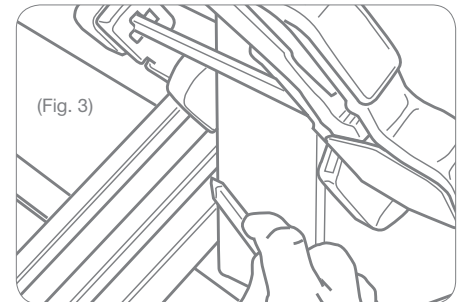
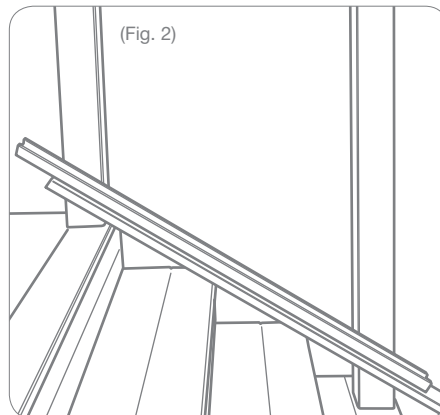
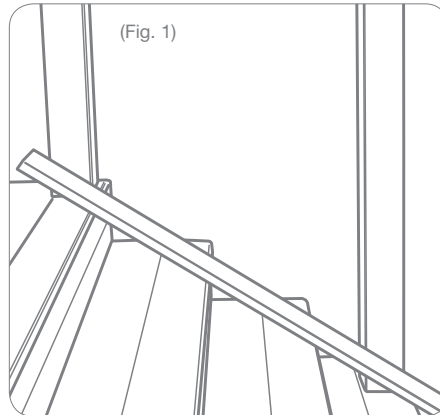
With the white powder coated surface of the bottom beam facing down, place the bottom beam (D - Oriented as shown in the Component List) on the plank (Fig. 2). Trace the angle of the posts onto the bottom beam (Fig. 3).

Cut the bottom beam 1/2" shorter on one end, on the angle found in Fig. 3, to allow for mounting brackets (Fig. 4, 5).

NOTE: Depending on the angle of your stair, code may require you to mount the bottom beam to the tread noses (no plank). Check with your local building office for applicable regulations.

Tip:

If both posts are plumb you can speed your installation by placing the top beam (C) on top of the bottom beam with the baluster channels facing each other, and mark both beams at once. Then cut both beams.



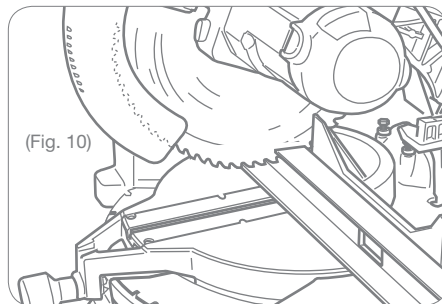
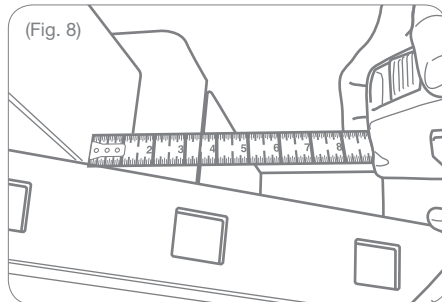
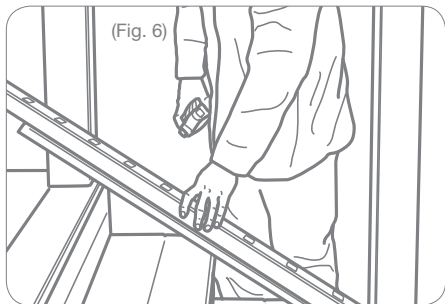
3.

Place a beam cover (E) on the temporary plank (Fig. 6).

NOTE: Routed holes in the bottom beam cover (E) are angled routs. Insure that the bottom beam with bottom cover is facing in the right direction to allow the balusters to stand plumb, i.e. straight up (Fig. 7).

Slide the beam cover (E) on the plank between the posts until the distance from the edge of the post to the edge of the baluster rout is the same at both the top and the bottom (Fig. 8). Trace the angle of the post onto the bottom beam cover (E) at the top and bottom of the stair (Fig. 9). Cut the beam cover (E) on the angle traced (Fig. 10).

Tip:
If both posts are plumb you can speed your installation by placing the top beam cover (E) on top of the bottom cover aligning the baluster holes. Now scribe both covers at the same time and cut both.

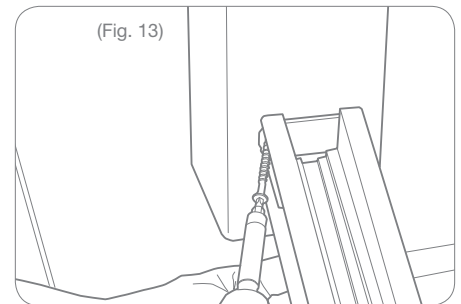
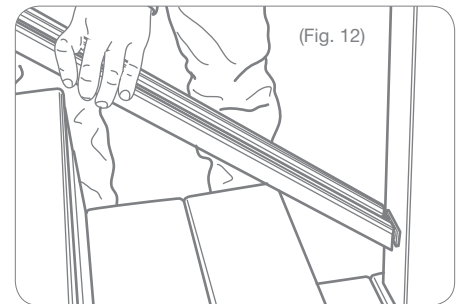
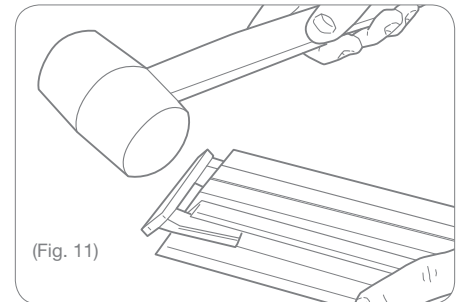


4.

Insert mounting brackets (H) in each end of bottom beam (Fig. 11); ensure proper alignment. Set the bottom beam in position between the posts. (Fig. 12)

Secure the brackets to the post using mounting screws (J) (Fig. 13). Secure the brackets to the beam using mounting screws (K).

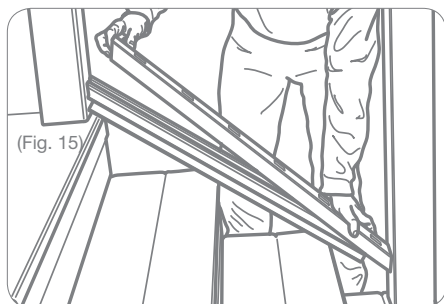
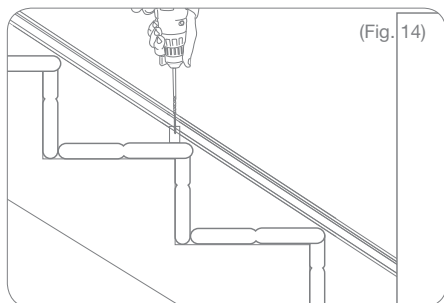
Tip:
A wood plank can be placed between your posts to establish the bottom rail space.



5.

Place the bottom rail support (G) on the nose of the tread that is nearest the center of the section. Trace the bottom of the beam onto the bottom rail support and cut the support to match the angle. Place the cut support in position under the center of the bottom beam. Now drill through the beam perpendicular to the tread surface using a 3/16" bit. It is necessary to drill the beam so the bolt will be positioned at the front edge of the bottom rail support to prevent the beam from bowing during installation (Fig. 14). Secure the bottom rail support using the supplied screw (I).

Snap the bottom beam cover (E) in place on bottom beam (D) (Fig. 15).



6.

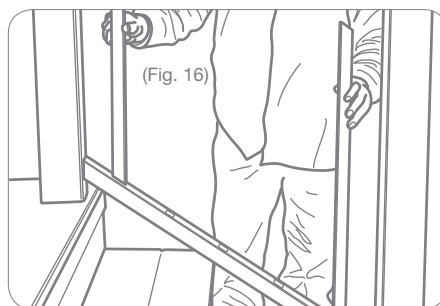
Insert a baluster in the first and last routs of the bottom beam cover (E) (Fig. 16).

Snap the top beam cover (E) onto the top beam (C).

Place the top beam (C) onto the two balusters you installed, allowing the top beam (C) and beam cover (E) to extend past the top and bottom post (Fig. 17).

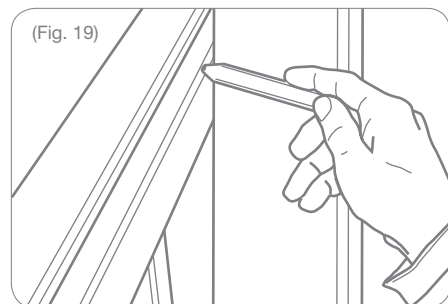
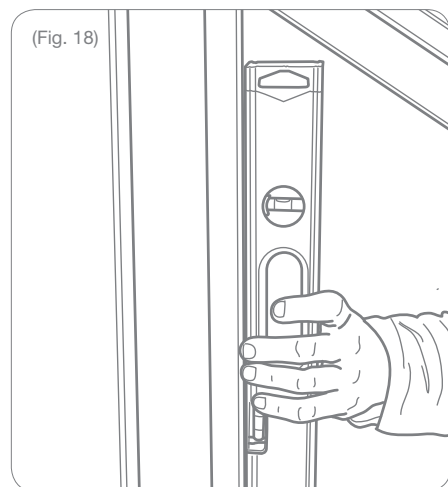
++++
IF INSTALLING THE WOOD TOP COVER (A), TOP AND BOTTOM BEAMS ARE ITEM D.

++++



7.

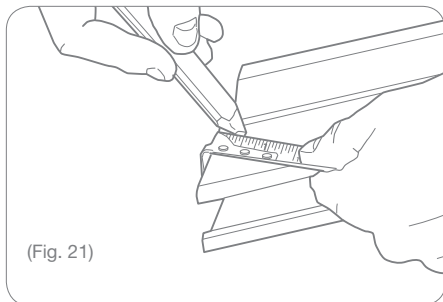
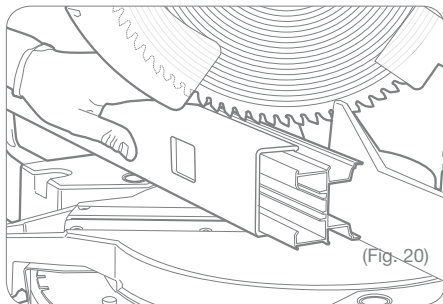
Now, adjust rail until the balusters are plumb (Fig. 18). Mark the top beam (C) and beam cover (E) on the angle at the top and bottom post (Fig. 19).



8.

Cut the top beam (C) and cover (E) on the angle indicated at the marks made in Step 7. (Fig. 20)

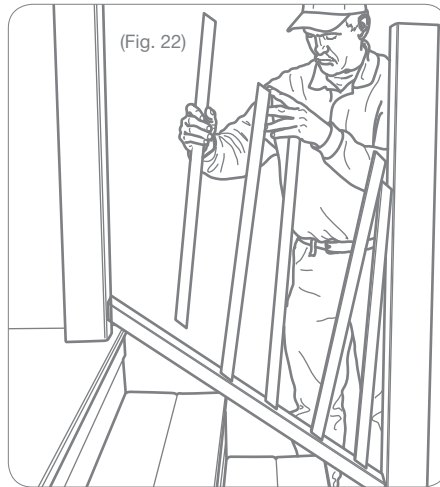
Separate the pieces and cut the beam 1/2" shorter at the same angle. (Fig. 21)



9.

Insert a baluster in each rout of the bottom beam cover (E) (Fig. 22).

Set the top beam cover (E) in place by inserting the first baluster (at the upper post) in the corresponding routs of the top beam cover (E) and work towards the bottom. Slide the top beam cover (E) down several inches to allow for top beam (C) installation. (Fig. 23)

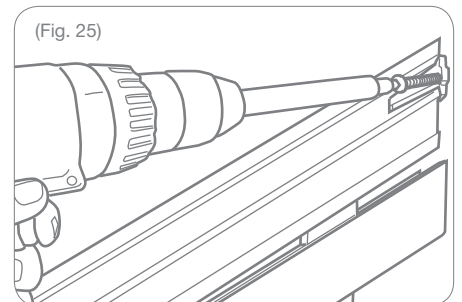
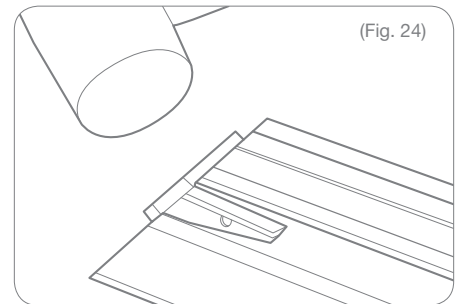


10.

Insert the mounting brackets (H) into both ends of the top beam (C) (Fig. 24). The top bracket will be angled down and the bottom bracket will be angled up.

Place the top beam (C) onto the balusters. Slide the beam cover (E) up to the bottom beam to adjust the top beam (C) to the correct angle and secure in place using screws (J). (Fig. 25)

Secure the brackets to the beam using screws (K).





11.

Cut the top cover (B) to length at the stair angle (Fig. 26, 27, 28).

+++++

IF INSTALLING THE WOOD TOP COVER (A) REFER TO STEP 3W ON PAGE 14. ONCE COMPLETED RETURN TO STEP 13 ON THIS PAGE.

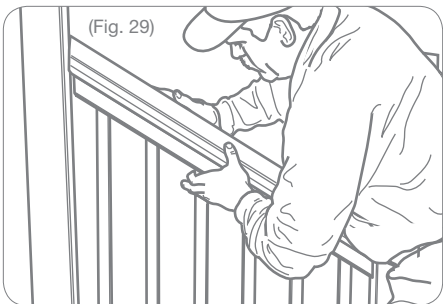
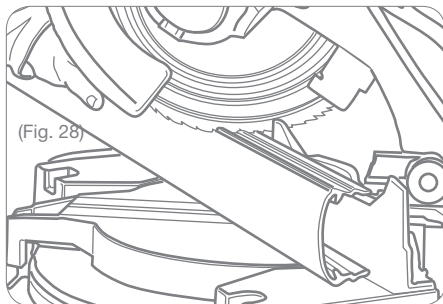
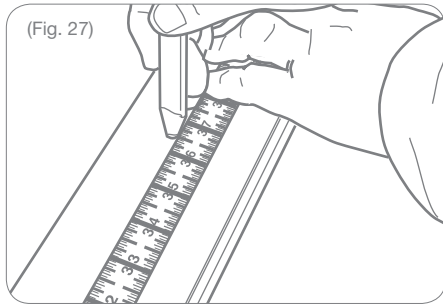
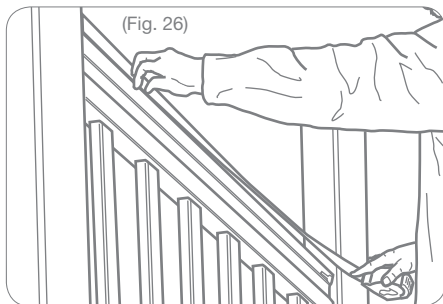
+++++

12.

Snap the top cover (B) onto the top beam (C) by rolling the cover to one side, engaging the locking strip. Then, roll the top cover (B) to the other side while applying downward pressure. Work from one end of the rail to the other until the full length of the cover locks into place (Fig. 29).

13.

Slide the top beam cover (E) up onto the top beam (C), ensuring that it snaps into place over its entire length and under the top cover (B) (Fig. 30, 31).



WOOD COVER RAIL INSTALLATION

1^w.

If your top beam (D) was not previously cut (Step 3), measure your finished opening, deduct 1/2", and cut.

Insert mounting brackets (H) in each end of top beam (D) (Fig. 1); ensure proper alignment (Fig. 2).

2^w.

Place the top beam (D), as oriented in Fig. 2, between the posts and on top of the balusters (Fig. 3).

Secure the brackets to the post using mounting screws (J) (Fig. 4). Secure the brackets to the beam using mounting screws (K) (Fig. 5).

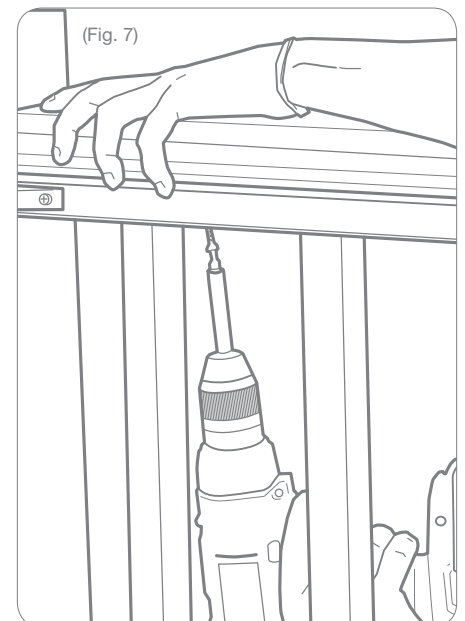
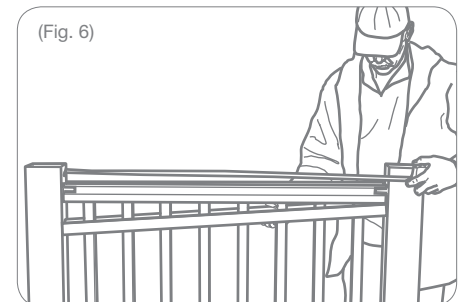
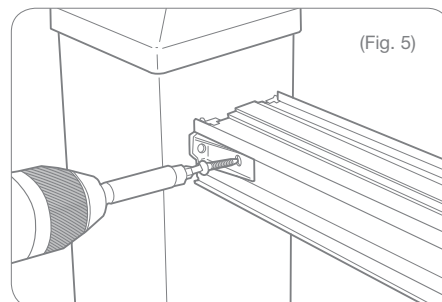
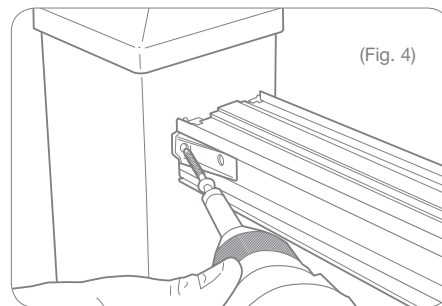
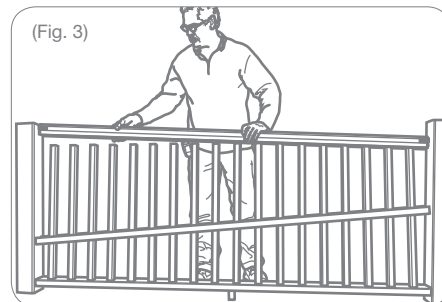
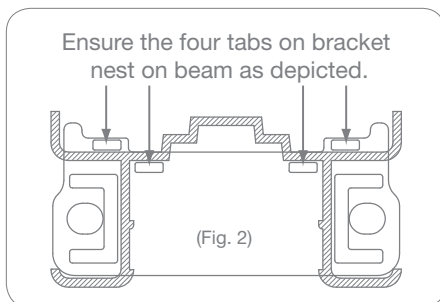
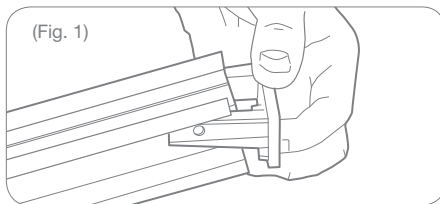
3^w.

Measure for length (Fig. 6) and cut the wood top cover (A) to fit.

Use a 3/16" bit to drill holes through the top beam (D) approximately every 12" (between balusters). Holes should be drilled down center baluster channel.

Set wood top cover (A) on top beam (D) and secure in place with supplied screws (Fig. 7).

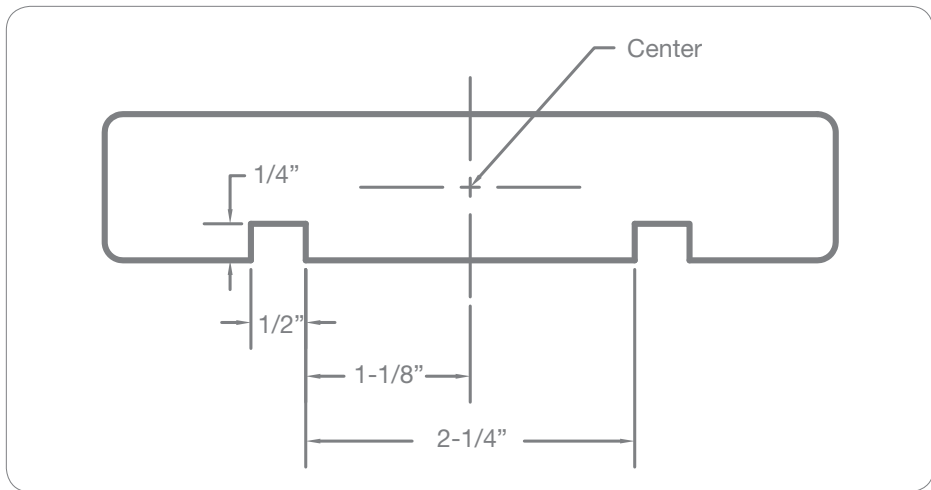
Return to Step 12, page 7.





Note:

A deck board or custom wood board may be attached to the top of the Porch Rail Wood Kits. To properly attach, 2 slots should be routed down the base of the board as shown below. Slots should be made equal distance from the boards center line. Follow steps for “Wood Cover Rail Installation” in this instruction guide to properly attach custom routed board.



CARE AND MAINTENANCE

All Porch Rail products other than textured top covers (B) are pre-finished products. Application of any type of finish to these products will void the Porch Rail warranty.

To clean any Porch Rail product, use mild soap and water with or without a pressure washer on a light setting (take care to prevent surface damage from excessive water pressure).

Do not use any abrasive soap product or solvent-based cleaning solutions that may cause damage to the surface of the product.

FINISHING OF Porch Rail TEXTURED TOP COVER (B)

Porch Rail textured top covers (B) must be painted using a primer and paint system designed for PVC material. The surface must be dry, clean, and free of dirt, grease oil, wax, soap residue, chalk and any other foreign matter. Follow manufacturer’s application instructions.

Railing Dynamics will not be responsible for the performance of any primer, or paint applied to any Porch Rail product.

It is always advisable to test a small area for adhesion prior to proceeding with the entire job.



RAILING DYNAMICS, INC.
FOR HOME, FOR LIFE™

135 STEELMANVILLE ROAD
EGG HARBOR TOWNSHIP, NJ 08234

TEL: (877) 420-7245
FAX: (866) 277-5160
E-MAIL: CS@RDIRAIL.COM
URL: WWW.RDIRAIL.COM

Endurance®