

FRIGIDAIRE GALLERY®

FGHD2368T D/F

FRENCH DOOR REFRIGERATOR

21.7 CU. FT. COUNTER-DEPTH

Smudge-Proof™
Stainless Steel



AVAILABLE COLORS



PRODUCT DIMENSIONS

Height (Including Hinges & Rollers)	69-7/8"
Width (Doors)	36"
Depth (Including Door)	28-1/2"

MORE EASY-TO-USE FEATURES

Even Temp™

Even temperature throughout the refrigerator.

Adjustable Interior Storage

Over 100 ways to organize and customize your refrigerator.

Store-More™ Flip-Up Shelves

Easily make room for tall or large items.

Multi-Level LED Lighting

Corner-to-corner LED lighting throughout the refrigerator for better visibility.

Store-More™ Shelves

More space to store your food with edge-to-edge shelves.

Full-Width Cool-Zone™ Drawer

A large capacity Cool Zone™ drawer extends completely and provides space to easily store anything from sheet cakes and large platters to snacks and juice boxes.

Express-Select® Controls

Easily select options with the touch of a button.

Freezer Basket with Divider

Deep freezer storage with adjustable divider keeps food organized and accessible.

Effortless™ Glide Freezer Drawers

Drawers glide out smoothly and fully extend, giving you easy access to what's inside.

Quick Freeze

Quickly freeze foods so they stay at their freshest.

Store-More™ Bins

Our bins are designed to store more, so you can fit gallon size beverages.

SIGNATURE FEATURES



Crisp Seal™

Sealed humidity-controlled crispers maintain moisture for market-fresh produce.



Effortless™ Glide Crisper Drawers

Our humidity-controlled crisper drawers can be configured any number of ways, either side-by-side or stacked on top of each other so you can organize your refrigerator the way you want.



PureSource Ultra® II Ice & Water Filtration

Discover how our genuine filtration works to keep your water cleaner. PureSource Ultra® II Water Filters remove 99.3% of lead and 99.9% of cysts from your household water.



PureAir Ultra® II Filters

Our PureAir Ultra® II air filters effortlessly keep the air in your refrigerator fresh.

CERTIFICATIONS

ENERGY STAR®



Star-K® Certified (Sabbath Mode)

FGHD2368T D/F FRENCH DOOR REFRIGERATOR

21.7 CU. FT. COUNTER-DEPTH

FRIGIDAIRE
GALLERY

FEATURES

Door Design	Tall Soft-Arc
Door Handle Design	Black Stainless (D), Stainless Steel (F)
Cabinet Finish	Black (D), Grey (F)
Door Stops/Door Closers	Yes/Yes
Door Hinge Covers	Hidden
Rollers - Front/Rear	Adjustable/Yes
Water Filter Location	Top-Right Fresh Food Section
Sound Package	

DISPENSER

Controls	Express-Select*
Dispenser Design	Flush, Single-Paddle
Number of Dispenser Buttons	11
Crushed Ice/Cube Ice/Water	Yes/Yes/Yes
Ice Option/Freeze Option	No/Quick Freeze
Display On/Off Option	Yes
Lock/Light	Yes/Yes
Temp/Door Ajar/Power Failure Alerts	Yes/Yes/Yes
Water Filter Change Indicator Light	Yes
Air Filter Change Indicator Light	Yes

REFRIGERATOR FEATURES

Lighting	Multi-Level Designer LED
Water Filter Type	PureSource Ultra® II
Air Filter Type	PureAir Ultra® II
Quarter-Width Fixed Shelves	1 Flip-Up Store-More™
Half-Width Fixed Shelves	3 Store-More™
Quarter-Width Sliding Shelves	
Half-Width Sliding Shelves	
Cantilever Shelves	Yes
Store-More™ Full-Width Drawer	1 Cool Zone™
Hanging Wine Rack/Can Dispenser	No/1 White
Crisper Drawer/Humidity Controls	2 Clear/2
Dairy Compartment	
Store-More™ Fixed Door Bins	2 Clear (1 per door)
2-Liter Fixed Door Bins	1 Clear
Gallon Adjustable Door Bins	2 Clear
2-Liter Adjustable Door Bins	1 Clear
Dispenser Bin	1 Clear
Non-Slip Bin Liner/Bottle Retainers	Yes/Yes

FREEZER FEATURES

Self-Closing Pull-Out Drawer	Yes
Sliding Full-Width Freezer Baskets	2 Effortless™ Glide
Basket Dividers	1 (Bottom Basket)
Lighting	LED
Automatic Ice Maker (2nd Ice Maker)	Optional

CERTIFICATIONS

ENERGY STAR®	Yes
Star-K® Certified (Sabbath Mode)	Yes

SPECIFICATIONS

Total Capacity (Cu. Ft.)	21.7
Refrigerator Capacity (Cu. Ft.)	14.9
Freezer Capacity (Cu. Ft.)	6.8
Power Cord Connection Location	Right Bottom Rear
Water Inlet Connection Location	Left Bottom Rear
Voltage Rating	120V/60Hz
Connected Load (kW rating) @ 120 Volts ¹	1.02
Amps @ 120 Volts	8.5
Minimum Circuit Required (Amps)	15
Shipping Weight (Approx.)	347 Lbs.

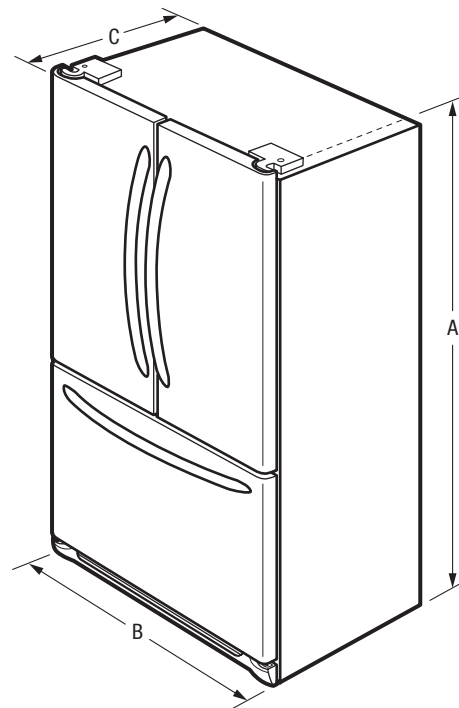
¹For use on adequately wired 120V, dedicated circuit having 2-wire service with a separate ground wire. Appliance must be grounded for safe operation.

PRODUCT DIMENSIONS

A - Height (Including Hinges & Rollers)	69-7/8"
B - Cabinet Width / Door Width	35-7/8" / 36"
C - Depth (Including Door)	28-1/2"
Depth with Door Open 90°	42-1/2"
Depth with Drawer Fully Extended (Including Handle)	45-1/2"

"BUILT-IN LOOK" CUTOUT DIMENSIONS

Height (Including Hinges and Rollers)	70-1/4"
Width	36"
Depth	25"



Note: For planning purposes only. Always consult local and national electric, gas and plumbing codes. Refer to Product Installation Guide for detailed installation instructions on the web at frigidaire.com / frigidaire.ca.
Specifications subject to change. Accessories information available on the web at frigidaire.com / frigidaire.ca

FRIGIDAIRE

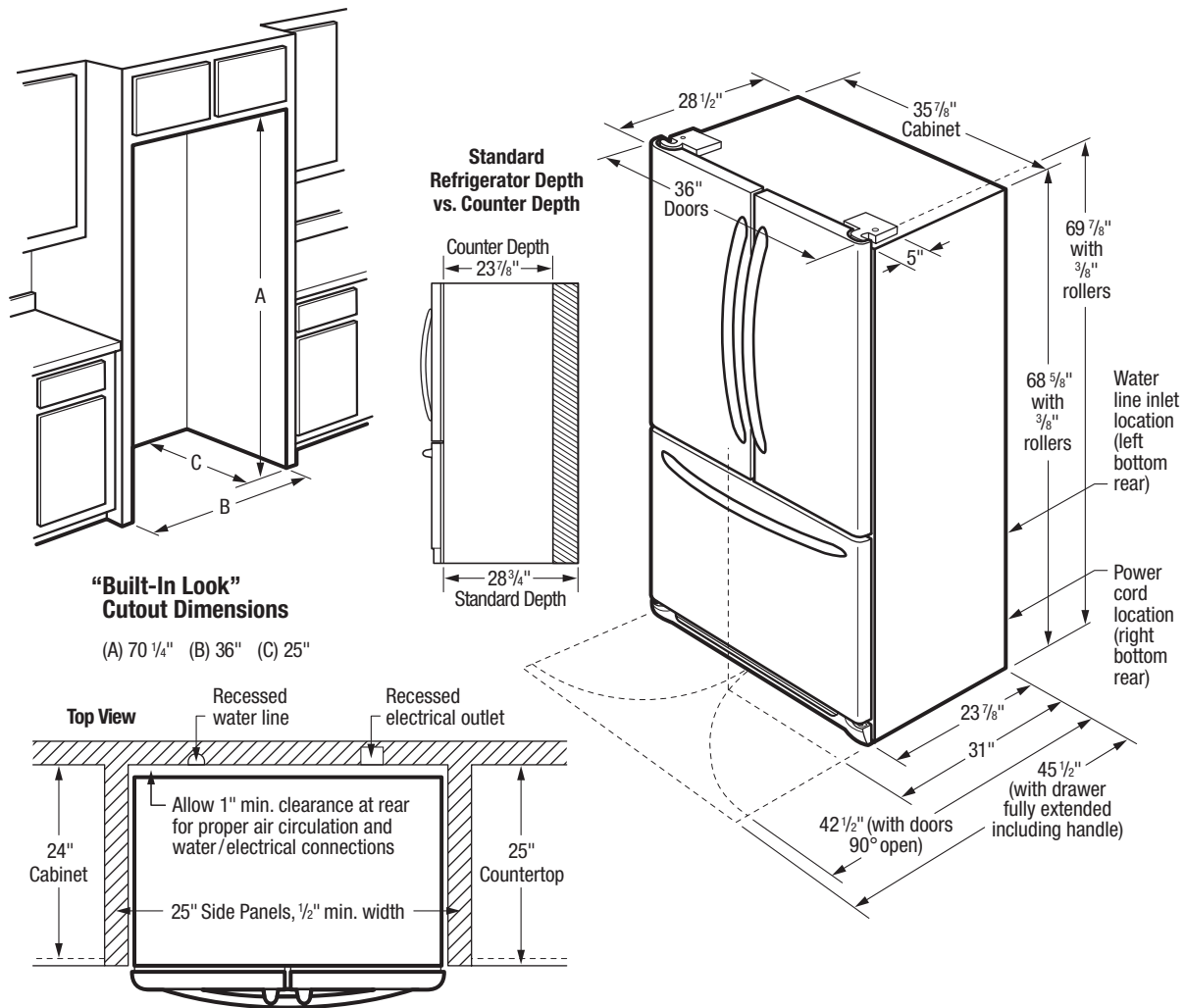
USA • 10200 David Taylor Drive • Charlotte, NC 28262 • 1-800-FRIGIDAIRE • frigidaire.com
CANADA • 5855 Terry Fox Way • Mississauga, ON L5V 3E4 • 1-800-265-8352 • frigidaire.ca

FGHD2368T 08/17
© 2017 Electrolux Home Products, Inc.

FGHD2368T D/F FRENCH DOOR REFRIGERATOR

21.7 CU. FT. COUNTER-DEPTH

FRIGIDAIRE
GALLERY



INSTALLATION SPECIFICATIONS

- Product Shipping Weight (approx.) - 347 Lbs.
- An electrical supply with grounded three-prong receptacle is required. The power supply circuit must be installed in accordance with current edition of National Electrical Code (NFPA 70) and local codes & ordinances.
- Voltage Rating - 120V/60 Hz
- Connected Load (kW Rating)@120 Volts = 1.02 kW
- Amps @ 120 Volts = 8.5 Amps
- Always consult local and national electric & plumbing codes.
- Floor should be level surface of hard material, capable of supporting fully loaded refrigerator.
- When installing refrigerator adjacent to wall, cabinet or other appliance that extends beyond front edge of unit, 20" minimum clearance recommended to allow for optimum 120° to 180° door swing, providing complete drawer/crisper access and removal. (*Absolute 4-1/2" minimum clearance will ONLY allow for 90° door swing which will provide drawer/crisper access with restricted removal.*)
- To ensure optimum performance, avoid installing in direct sunlight or close proximity to range, dishwasher or other heat source.

- For proper ventilation, front grille MUST remain unobstructed.
- Recess electrical outlet when possible.
- Water recess on rear wall recommended to prevent water line damage.
- Water Pressure - Cold water line must provide between 30 and 100 pounds per square inch (psi).
- Copper tubing with 1/4" O.D. recommended for water supply line with length equal to distance from rear of unit to household water supply line plus 7 additional feet. Optional Water Supply Installation Kits available.
- Adjustable front rollers to assist with door alignment.

"BUILT-IN LOOK" SPECIFICATIONS

- Minimum opening of 70-1/4"H x 36"W x 25"D required to allow for ease of installation, proper air circulation, and plumbing/electrical connections.
- Remove all wall/floor molding prior to installation.



FRIGIDAIRE

USA • 10200 David Taylor Drive • Charlotte, NC 28262 • 1-800-FRIGIDAIRE • frigidaire.com
CANADA • 5855 Terry Fox Way • Mississauga, ON L5V 3E4 • 1-800-265-8352 • frigidaire.ca

Note: For planning purposes only. Always consult local and national electric, gas and plumbing codes. Refer to Product Installation Guide for detailed installation instructions on the web at frigidaire.com / frigidaire.ca. Specifications subject to change. Accessories information available on the web at frigidaire.com / frigidaire.ca

FGHD2368T 08/17

© 2017 Electrolux Home Products, Inc.