



## Fireside Collection

*26" Wall-Mount Electric Fireplaces With Multi-Color LED Log Displays*

Spice up your home décor with the addition of Hanover's Fireside collection of electric fireplaces. The vivid, colorful flame display instantly illuminates your room and creates a warm, welcoming environment. Each unit can be mounted directly on the wall, eliminating floor clutter and opening up space, even in small rooms.

The vibrant LED display offers a variety of color options that can continuously transition through each color, or you can choose to display your favorite color. The stunning panoramic view offered by the curved, tempered-glass panel is an exquisite show guaranteed to catch the attention of all your guests. This unit also features brightness adjustment so the bright flames can shine during the daylight and dim to set the mood in the evening. With the convenience of a remote control, you can operate this unit from anywhere in the room to suit all your comfort needs. Hanover's Fireside electric fireplaces will be a sophisticated addition to any room, creating the flare everyone craves. Simply power on your fireplace and dazzle your guests with your new multi-functional décor.

### FIREPLACE FEATURES

- *26" wall-mount design*
- *Multi-color flame display*
- *Log display*
- *Dual-heat settings*
- *Adjustable brightness*
- *Automatic thermal safety shut off*
- *CSA certified*

**F26WMEF-2BK**

Black Bezel



**F26WMEF-2WT**

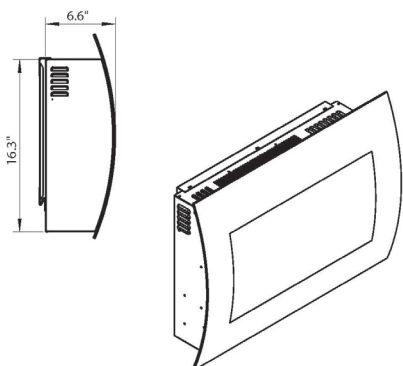
White Bezel



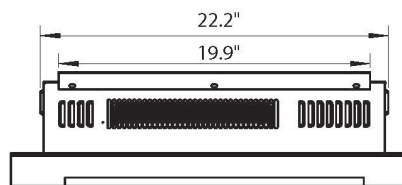
# FIRESIDE COLLECTION

MODEL	F26WMEF-2__
<b>DESIGN FEATURES</b>	
Fireplace Type	26" Wall-Mount
Screen Type	Curved, Tempered Glass
Firebox Contents	Logs
Multi-Color Flame Display	Yes
Remote Control	Yes
<b>PERFORMANCE</b>	
Heat Output	4604 BTU
Heating Range	210 Sq. Ft.
Number of Heat Settings	2
Flame Only Mode (Without Heat)	Yes
Programmable Timer	Up to 9 hrs.
<b>ELECTRICAL RATINGS</b>	
Voltage / Frequency	115 V / 60 Hz
Amperage	16
Wattage	700 (Low) / 1350 (High)
Cord Length	6 Ft. / 72 In.
Plug Type	HPN
<b>DIMENSIONS/WEIGHT</b>	
Assembled Product Dimensions	6.6"D x 26"W x 19.3"H
Assembled Product Weight	24.9 lbs.
Shipping Dimensions	11.2"D x 29.5"W x 23.6"H
Shipping Weight	32.6 lbs.

▼ Side View ▼



▼ Top View ▼



▼ Front View ▼

