

- Step 3.** Remove crumb tray by pulling out of Toaster Oven.
- Step 4.** Shake off crumbs from crumb tray. Cleaning the crumb tray often will avoid any accumulations.
- Step 5.** Remove wire rack and clean with damp cloth or place in top rack of dishwasher.

STORING YOUR TOASTER OVEN

Allow the appliance to cool completely before storing. If storing the Toaster Oven for long periods of time make certain that the Toaster Oven is clean and free of food particles. Store the Toaster Oven in a dry location such as on a table or countertop or cupboard shelf. Other than the recommended cleaning, no further user maintenance should be necessary.

BEFORE REQUESTING SERVICE

See below before calling for services, as most problem can easily be remedied by following simple solutions:

HELPFUL TIPS/TROUBLESHOOTING		
PROBLEM	POTENTIAL CAUSE	SOLUTION
Overcooked / undercooked foods.	Incorrect temperature or time setting.	You may have to adjust the time and temperature to the desired taste. Because your oven is smaller than your regular oven, it will heat up faster and generally cook in shorter periods of time.
Burnt smell	Food build-up inside oven on heating elements or in crumb tray.	Refer to "CLEANING YOUR TOASTER OVEN" Section.
Oven does not turn ON.	Unit is unplugged. Timer was not turned past 10 minutes mark.	Plug the toaster oven into appropriate electrical outlet. Set timer knob and temperature knob to the desired setting. Both must be turned on to operate the toaster oven.
Only one heating element is heating up.	Function setting selection determines which heating element will operate.	When toasting, make sure the oven is not set to broil setting.
Heating elements do not stay ON.	Heating elements will cycle ON and OFF to maintain proper heat.	Be certain that function is as desired.

07

IMPORTANT SAFEGUARDS

When using electrical appliances, basic safety precautions should always be followed including the following:

- READ ALL INSTRUCTIONS, PRODUCT LABELS AND WARNINGS BEFORE USING THIS APPLIANCE.**
- DO NOT** touch hot surfaces. Use handles or knobs.
- Unplug from outlet when not in use and before cleaning. Allow to cool before putting on or taking off parts.
- To protect against electrical shock, **DO NOT** immerse the appliance in water or any other liquids.
- DO NOT** operate this appliance with a frayed or damaged cord or plug or after the appliance malfunctions or is dropped or has been damaged in any manner. Take this appliance only to the nearest Authorized Service Center for examination, repair or adjustment.
- DO NOT** use attachments not recommended by the manufacturer; they may cause fire, electric shock or personal injury.
- DO NOT** use outdoors.
- Use this appliance only for its intended use as described in this manual. **DO NOT** use this appliance for other than its intended use.
- DO NOT** let the cord hang over the edge of a tabletop or countertop or touch hot surfaces.
- DO NOT** place the appliance on or near a hot gas or electric burner, or in a heated oven.
- Extreme caution must be used when using containers constructed of material other than metal or glass.
- A fire may occur if the toaster oven is covered or touching flammable materials, including curtains, draperies, walls, etc., when in operation. **DO NOT** store any items on top of the appliance when in operation.
- When using the oven, pull the unit out a minimum of 15 cm (6 inches) away from walls on all sides. Remove cords from other products from behind the oven.
- DO NOT** use the cavity for storage purposes. **DO NOT** store any materials, other than manufacturer's recommended accessories, in this unit when not in use.
- DO NOT** place any flammable materials in oven, such as paper, cardboard, plastic or any materials that may catch fire or melt.
- DO NOT** cover the oven with metal foil. This will cause overheating of the appliance.
- Oversized foods or metal utensils must not be inserted in the appliance as they may create a fire or risk of electrical shock.

01

- DO NOT** clean with metal scouring pads. Pieces can break off the pad and touch electrical parts involving a risk of electrical shock.
- When broiling, extreme caution should be exercised when removing tray or disposing of hot grease.
- The door and the outer surface may get hot when appliance is used.
- To turn this appliance off, set all controls back to the off position.
- This appliance is not intended for use by persons (including children) with reduced physical, sensory or mental capabilities, or lack of experience and knowledge, unless they have been given supervision or instruction concerning use of the appliance by a person responsible for their safety. Children should be supervised to ensure that they do not play with the appliance.
- Close supervision is necessary when any appliance is used by or near children, or incapacitated individuals.
- The instructions shall state that appliances are not intended to be operated by means of an external timer or separate remote-control system.
- This appliance is intended to be used in household and similar applications such as: staff kitchen areas in shops, offices and other working environments, farm houses, by clients in hotels, motels and other residential type environments, bed and breakfast type environments.

THIS UNIT IS FOR HOUSEHOLD USE ONLY

- a) A short power-supply cord (or detachable power-supply cord) is provided to reduce the risk resulting from becoming entangled in or tripping over a longer cord.
- b) Longer detachable power-supply cords or extension cords are available and may be used if care is exercised in their use.
- c) If a longer detachable power-supply cord or extension cord is used:
- The marked electrical rating of the cord set or extension cord should be at least as great as the electrical rating of the appliance;
 - The cord should be arranged so that it will not drape over the countertop or tabletop where it can be pulled on by children or tripped over unintentionally; and
 - If the appliance is of the grounded type, the cord set or extension cord should be a grounding-type 3-wire cord.

This appliance has a polarized plug (one blade is wider than the other). As a safety feature, this plug will fit in a polarized outlet only one way. If the plug does not fit fully in the outlet, reverse the plug. If it still does not fit, contact a qualified electrician. Do not attempt to defeat this safety feature

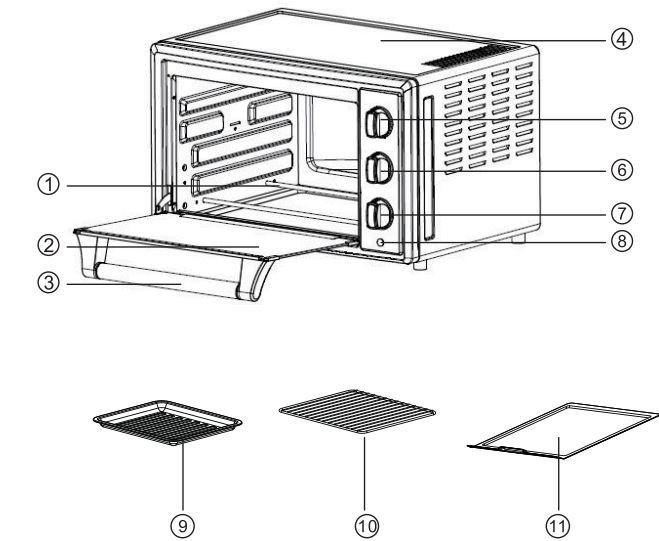
02

SAVE THESE INSTRUCTIONS

SPECIAL CORD SET INSTRUCTION

- A short power supply cord is provided to reduce the hazards resulting from becoming entangled in or tripping over a longer cord.
- An extension cord may be purchased and used if care is exercised in its use.
- If an extension cord is used the marked electrical rating of the extension cord must be the same as the product. The extended cord must be arranged so that it will not drape over the counter top or tabletop where it can be pulled on by children or tripped over accidentally.
- The oven must be plugged into 110--120 VOLT, 60Hz GROUNDED OUTLET.

COMPONENTS

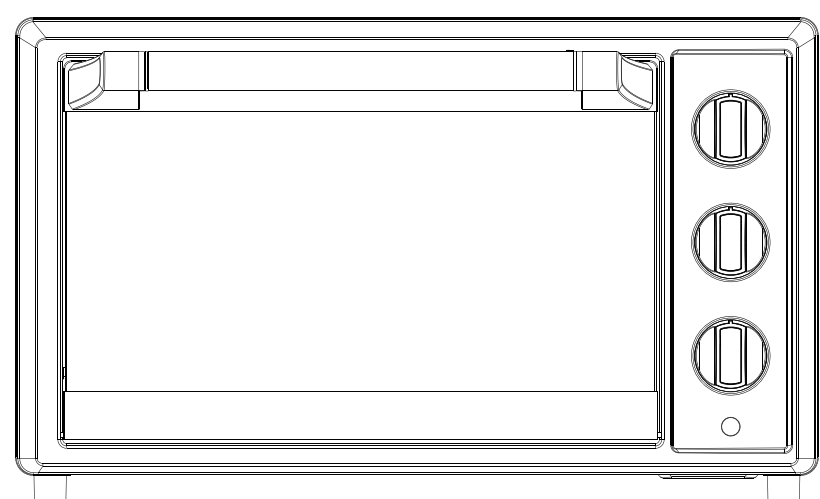


- | | | |
|--------------------|---------------------|--------------------------|
| 1. Heating Element | 5. Temperature Knob | 9. Food Tray |
| 2. Glass Door | 6. Function Knob | 10. Grill Rack |
| 3. Door Handle | 7. Timer Knob | 11. Removable Crumb Tray |
| 4. Enclosure | 8. Indicator Lamp | |

03

Galanz

Instructions for Use of the Toaster Oven



Only for household use

Model: KWS1525R-H12

PREPARING FOR FIRST TIME USE

If you are using your Toaster Oven for the first time, please be sure to:

- Remove any stickers from the surface of the oven.
- Open oven door and remove all printed documents and paper from inside the Toaster Oven.
- Clean the rack and pan with hot water, a small amount of dishwashing liquid and a nonabrasive cleaning pad.
- DO NOT IMMERSE THE BODY OF THE UNIT IN WATER.**
- Dry the unit thoroughly before using.
- Select a location for the Toaster Oven. The location should be in an open area on a flat counter where the plug will reach an outlet.
- Plug the Toaster Oven into the appropriate electrical outlet.

NOTE: During initial start up you may detect a slight smell and/or smoke. Turn the temperature to max and let run for approximately 5 minutes.

WARNING: When Toaster Oven is in use or cooling down, please be sure there is a 6-inch clearance between the Toaster Oven and any other surface including cords. Be sure the cord is not resting against the back of the Toaster Oven.

USING YOUR TOASTER OVEN

- Temperature Control Knob** – Adjust the dial thermostat to the desired temperature. (See Figure 1)
- Function Selector Knob** – Select cooking function by turning knob to desired setting. (See Figure 2)
- Timer Control Knob with Bell Signal** – Set cooking time up to 60 minutes. Will automatically turn the oven off "0" at the end of the cooking time. (See Figure 3)
- Tempered Glass Door** – For front viewing of food.
- Removable Crumb Tray** – For crumb or fallen food particles collection. Pulls out for easy cleaning.
- Removable Wire/Broil Rack** – Use for all your broiling and grilling needs.
- Baking Pan and Cookie sheet in one** – Use for all your baking needs.

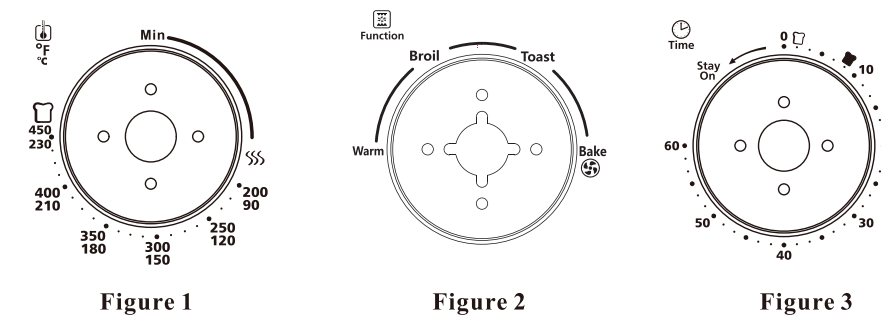


Figure 1

Figure 2

Figure 3

Defrosting Tip

When defrosting, do not preheat oven. Turn Temperature Control to 250 °F. Allow 15 to 20 minutes per side for meats or fish to defrost. Always cook food promptly after thawing.

BAKE FUNCTION WITH CONVECTION

- Place baking pan with food inside on wire rack.
 - Close glass door completely.
 - Turn the Function dial to "Bake".
 - Turn the Temperature dial to desired setting.
 - Turn the Timer to desired time. **SPECIAL NOTE: If cook time is less than 10 minutes, you must turn Timer past the 10 minutes mark and then set back to desired time.**
 - When Baking is complete, open door completely and remove food. **WARNING: Cooked food and metal rack can be very hot, handle with care. Do not leave Toaster Oven unattended.**
- About Convection Heat:** In your Countertop Oven there is a built in fan that circulates the hot air in the oven chamber cooking your food faster and more evenly.

WARM FUNCTION

- Place baking pan with food inside on wire rack.
- Close glass door completely.
- Turn the Function dial to "Warm".
- Turn the Temperature dial to 200 °F.
- Turn the Timer to desired time. **SPECIAL NOTE: If cook time is less than 10 minutes, you must turn Timer past the 10 minutes mark and then set back to desired time.**
- When Warming is complete, open door completely and remove food. **WARNING: Cooked food and metal rack can be very hot, handle with care. Do not leave Toaster Oven unattended.**

TOAST FUNCTION

NOTE: Different types of bread require different settings. Lighter breads and waffles require lighter setting. Darker breads, muffins and English muffins require a darker setting.

- Place food on Wire Racks. For best toasting results, position the rack in the upper position.
- Close glass door completely.
- Turn the temperature control knob to 450 °F. Both the top and bottom heater elements will operate.
- Turn the Function dial to the "Toast" setting.
- To set the timer, turn the timer past the 10 minutes mark and then set back to desired toast shade.
- When Toasting is complete, a bell will sound. Open door completely and remove food. **WARNING: Cooked food and metal rack can be very hot, handle with care. Do not leave Toaster Oven unattended.**

BROIL FUNCTION

- NOTE:** Always allow at least 1 inch between food and heating element. Adjustable Broil allows the oven to broil at any temperature. Great for melting cheese at 150 °F or cooking fish at 400 °F. Adjust as needed.
- Place food on broil rack or on baking pan if needed.
 - Close glass door.
 - Turn the Function dial to "Broil".
 - Turn the Temperature dial to desired temperature.
 - Turn the Timer to desired time. **SPECIAL NOTE: If cook time is less than 10 minutes, you must turn Timer past the 10 minutes mark and then set back to desired time.**
 - When Broiling is complete, open door completely and remove food. **WARNING: Cooked food and metal rack can be very hot, handle with care. Do not leave Toaster Oven unattended.**

TO USE THE TIMER AND STAY ON FEATURE

- After rotating the Temperature Dial to your desired temperature, then you must select from the following options on the Timer Dial.
- For items requiring shorter cooking times, rotate the Timer Dial clockwise to the desired time. At the sound of the bell, the oven will automatically turn "0"
 - For longer cooking times, rotate the Timer Dial counterclockwise to the "Stay On" setting. Cooking will continue until the Timer Dial is manually turned to the "0" position and the bell will sound.

CLEANING YOUR TOASTER OVEN

DO NOT IMMERSE IN LIQUIDS.

- Turn all knobs to off position and remove plug from electrical outlet. Allow to cool.
- Wipe unit down with damp cloth. **DO NOT IMMERSE IN WATER.** Make sure to only use mild, soapy water. Abrasive cleaners, scrubbing brushes and chemical cleaners will damage the coating on this unit.

04

05

06

Thank you for your purchase of Galanz toaster oven. To confirm correct operation and your safety, please read this manual carefully before use and retain it for future use.