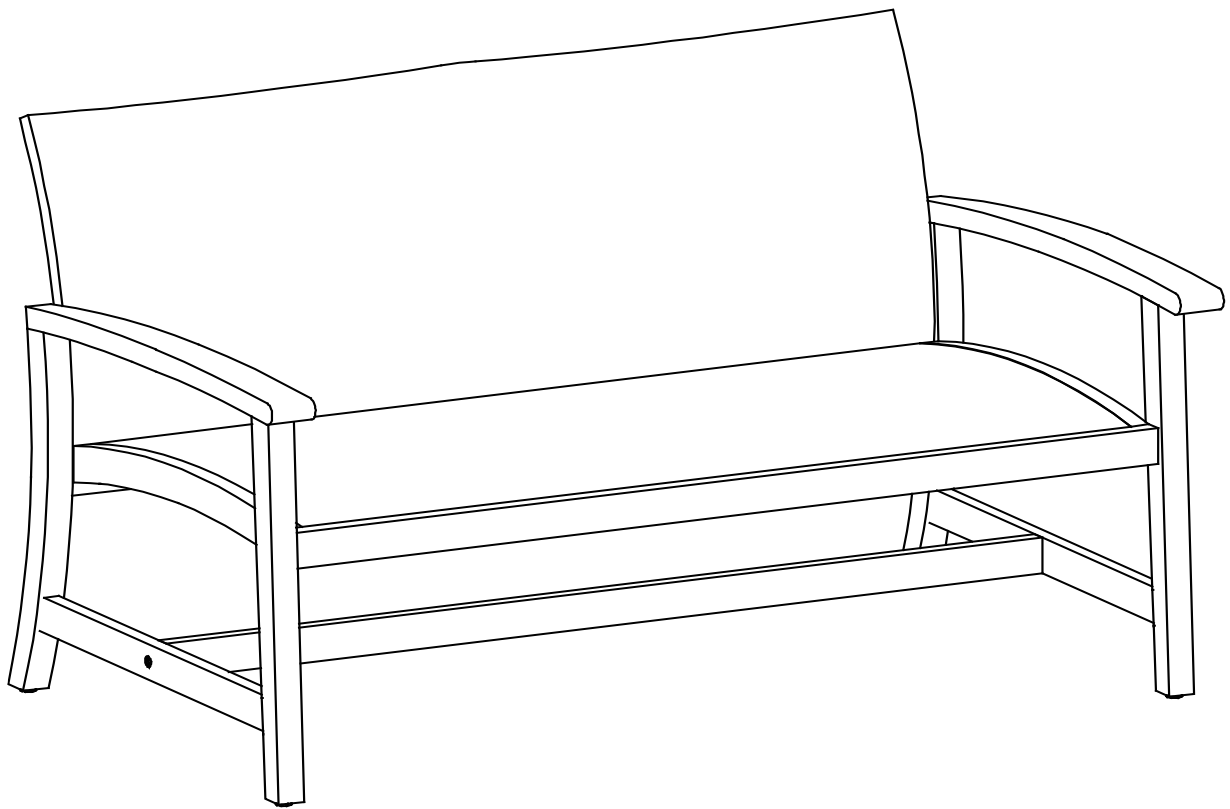


Assembly Instructions

Caution: You must read this before you proceed

LOVESEAT

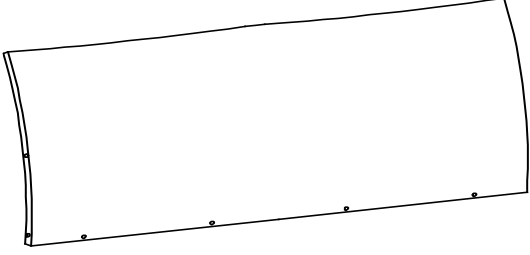
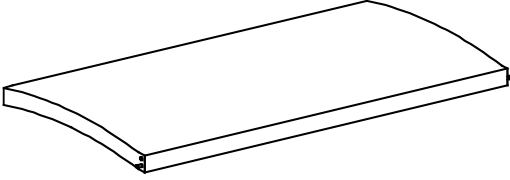
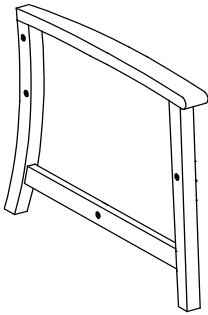
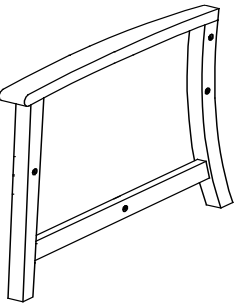
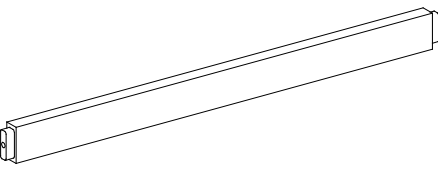


CAUTION: This Loveseat is NOT a TOY.

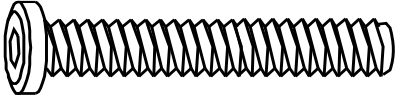




Keep your child / children at bay during the assembly process of assembly.

For turning the Loveseat and to prevent damage to the Loveseat, 02 persons may be needed to execute this action

Parts List

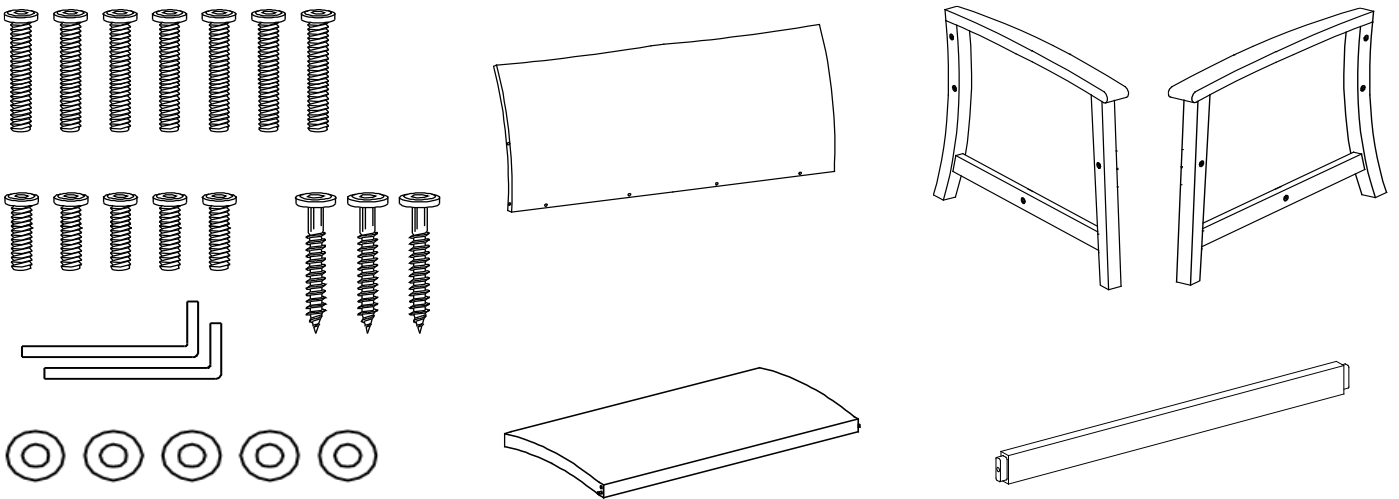
Label	Picture	Description	QTY
A		Backrest panel	1
B		Seat Panel	1
C		Right Leg Panel (with Leveler)	1
D		Left Leg Panel (with Leveler)	1
E		Leg Support Bar	1

Hardware

Label	Picture	Description	QTY
①		Bolt (M8x55mm)	7
②		Bolt (M8x25mm)	5
③		Screw (M7x60 mm)	3
④		Flat Washer (M8/18x1.5mm)	5
⑤		Allen Key	2

Assembly Preparation

Before Beginning Assembly:



- Read instructions, cover to cover-



- Have 2 adults on hand for assembly-



- Do not assemble on flooring or carpet-



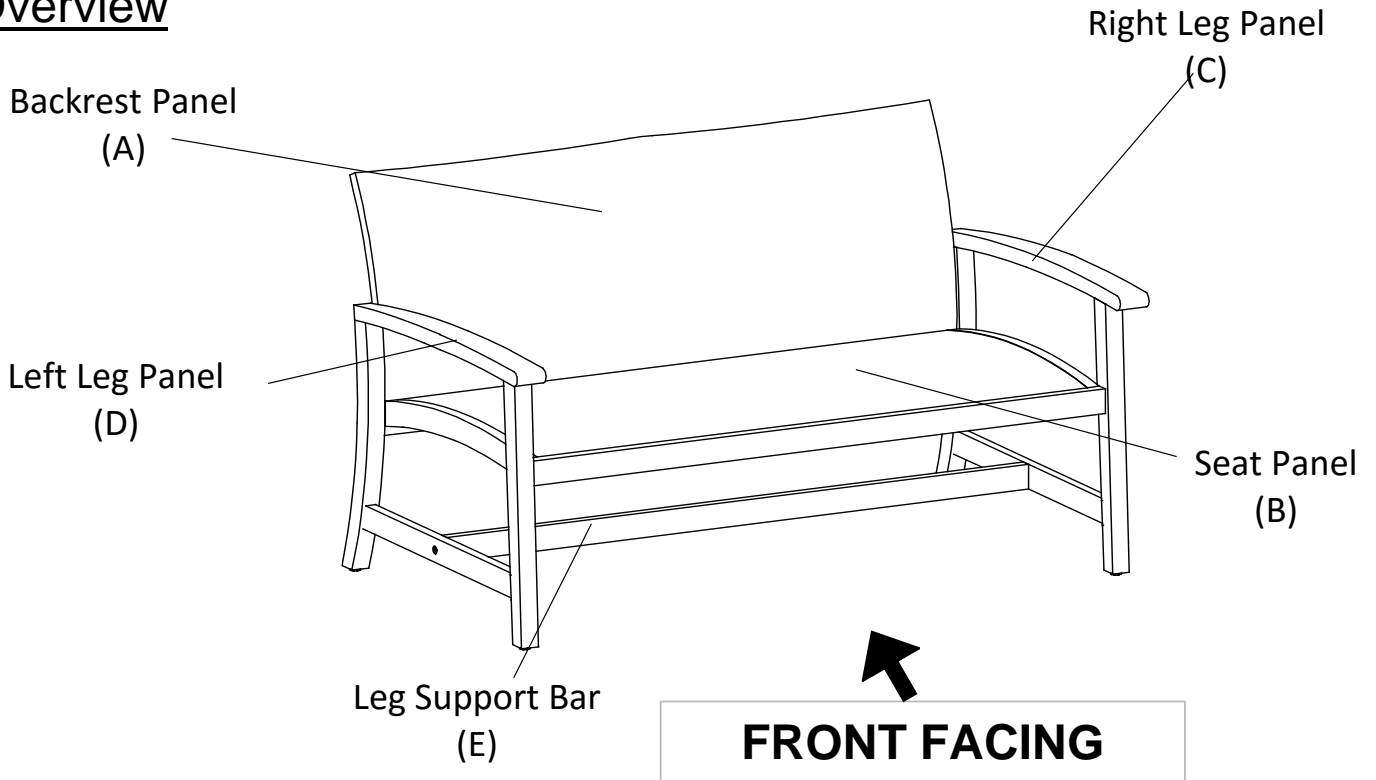
- Assemble on a clean non-marring surface (packing foam)-



- Save all packaging until finished-

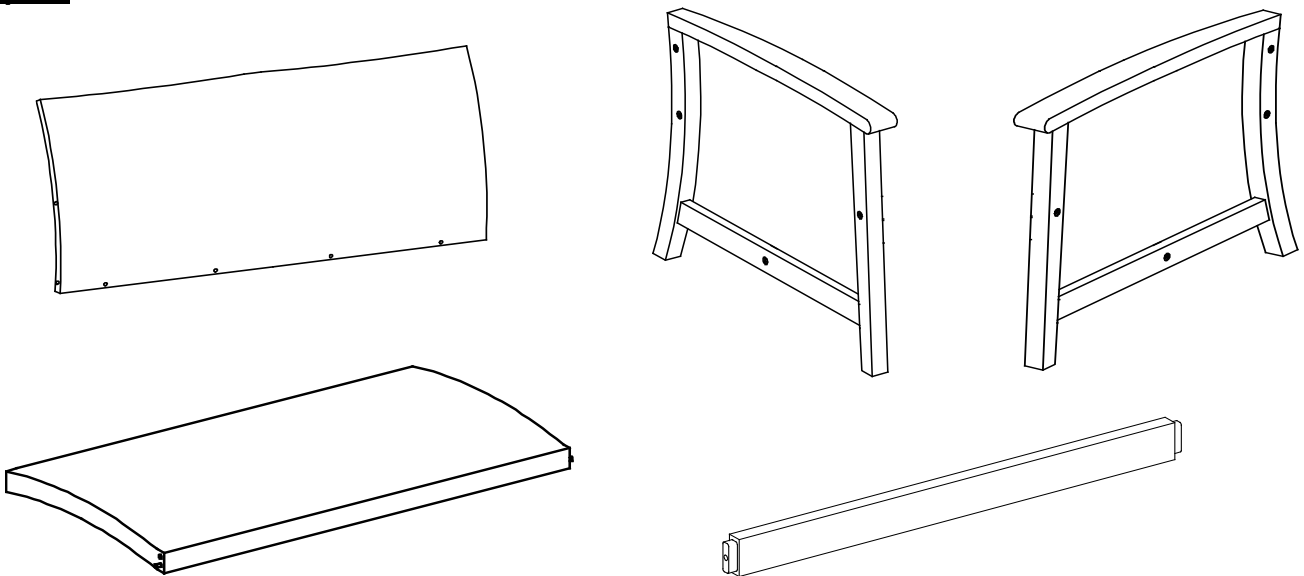
Assembly Steps

Overview



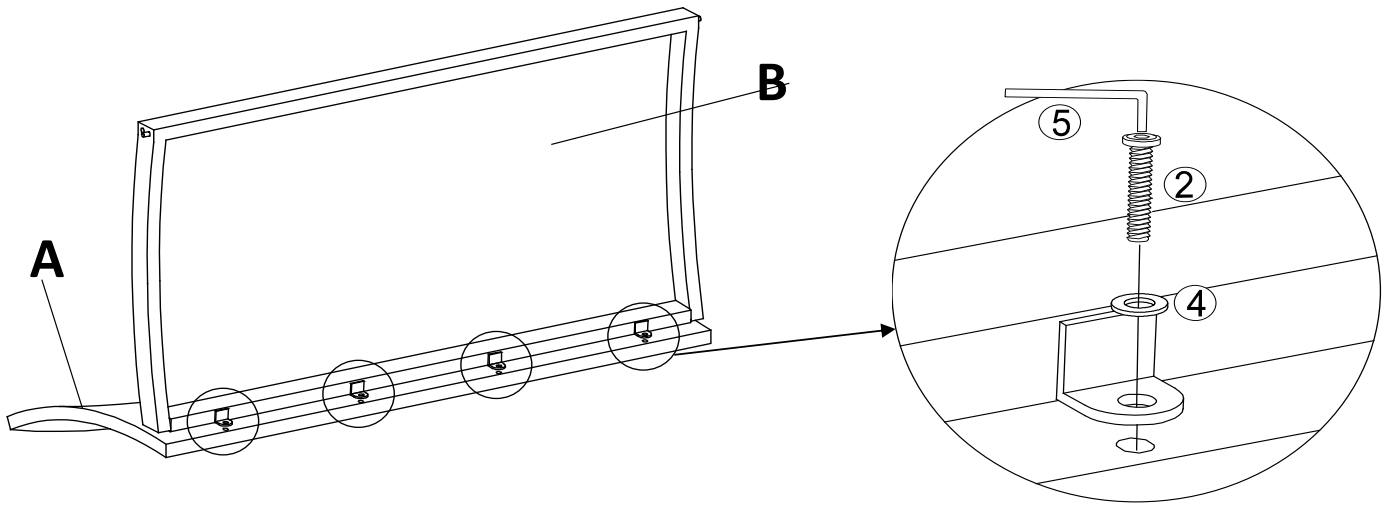
This Loveseat has multiple parts and may require up to 30 minutes to assemble. To give you an overview of the Loveseat parts, the above picture is to help you put the various parts into perspective. Please read through the instructions below to familiarise yourself with the parts and steps before assembly.

Step 1



Unpack and place all parts on a clean, non-marring surface.

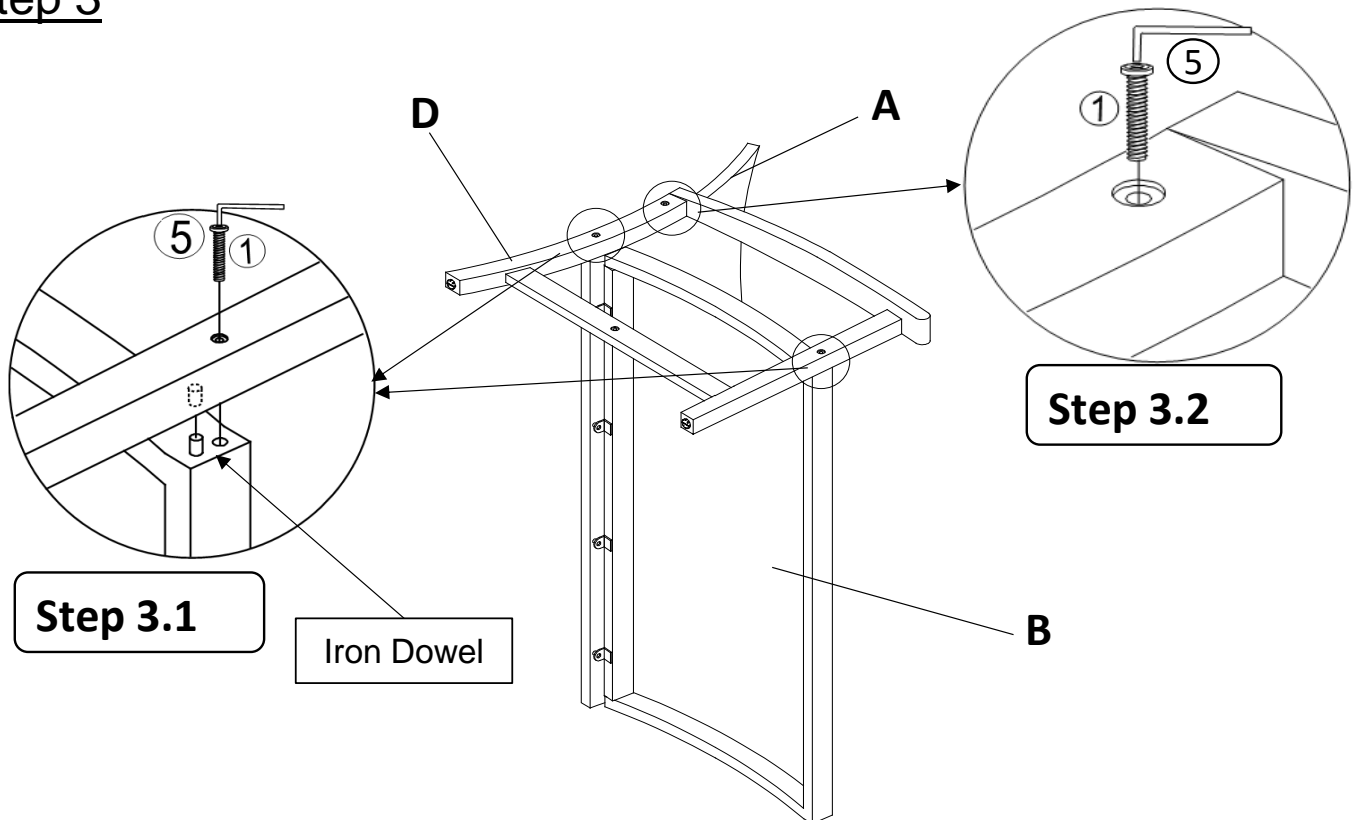
Step 2



Lay down Backrest Panel (A) then attach Seat Panel (B) to Backrest Panel (A) by using Bolts (②), Flat Washer (④) and secure by Allen key (⑤).

Do not fully tighten the Bolts.

Step 3



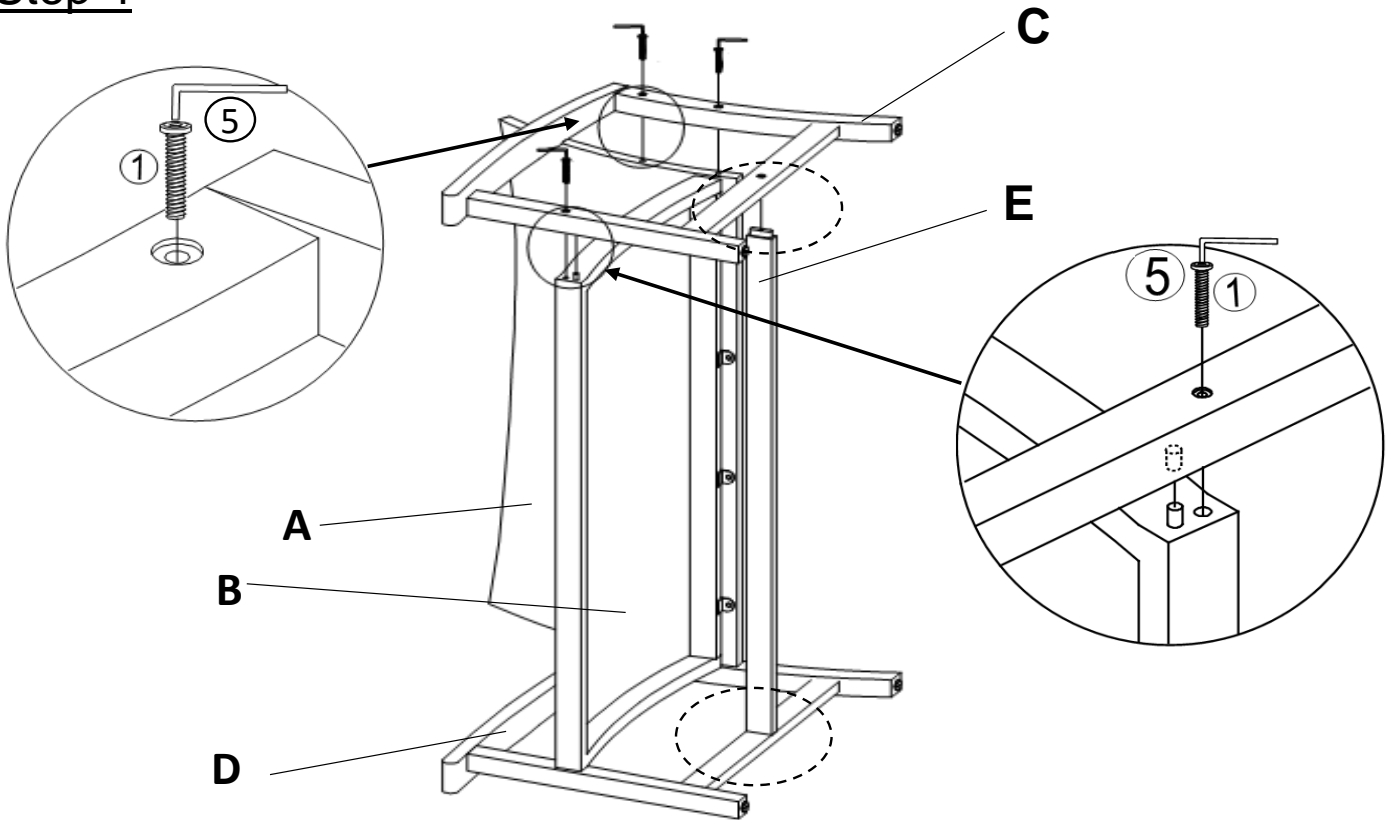
Position housing of Left Leg Panel (D) into pre-fixed iron dowel on Seat Panel (B) as picture above.

Step 3.1: Secure Left Leg Panel (D) to Seat Panel (B) by using Bolt (①) with Allen Key (⑤)

Step 3.2: Secure Left Leg Panel (D) to Backrest Panel (A) by using Bolt (①) with Allen Key (⑤)

Do not fully tighten the Bolts.

Step 4



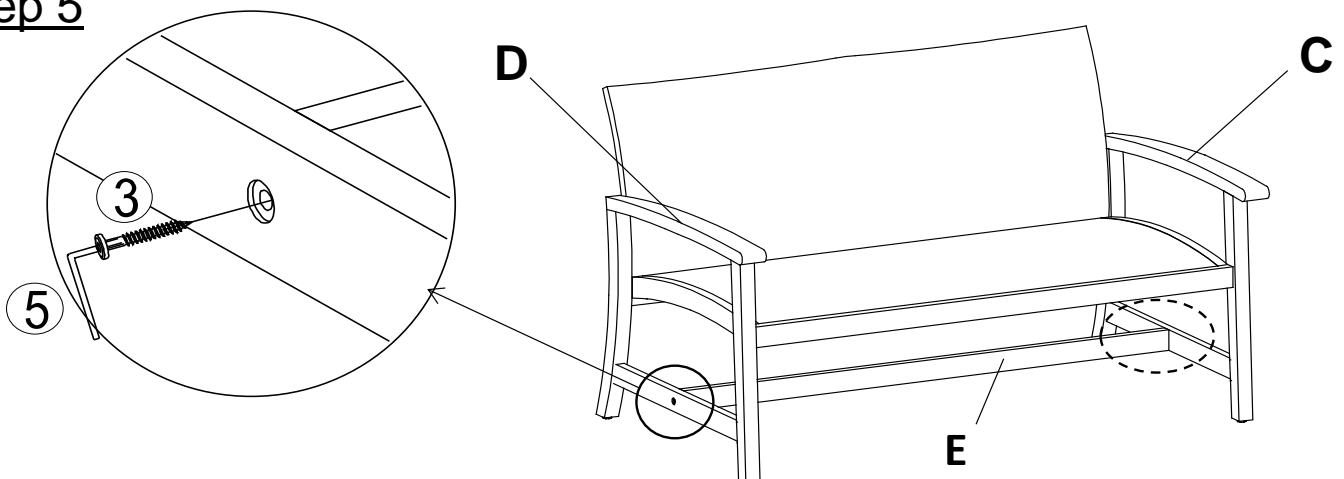
With assistance from your adult partners, turn the pre-assembled part in step 3 to the other side.

Align the Tenon of Leg Support Bar(E) into the Mortise of Left Leg Panel(D). Then position Mortise of Right Leg Panel(D) onto Tenon of Leg Support Bar(E) as shown above.

Repeat same process in step 3.1 and 3.2 to Secure Right Leg Panel(C) to Seat Panel (B) and Backrest Panel (A).

Do not fully tighten all the Bolts

Step 5

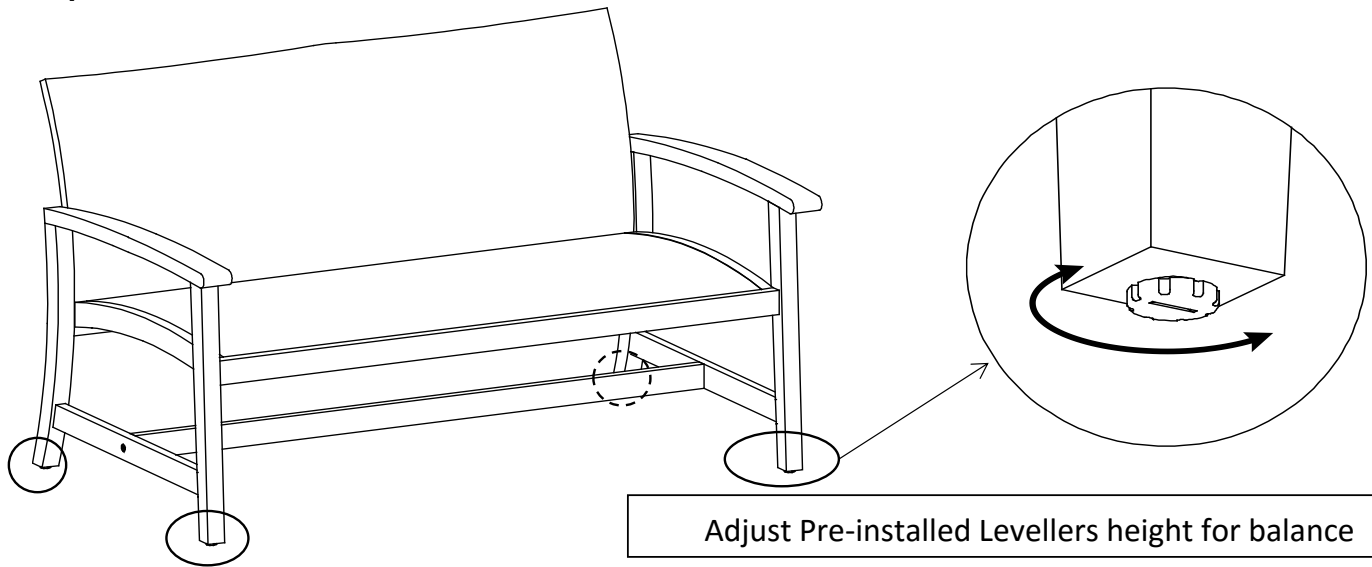


With assistance from your adult partners, turn the Chair back to normal flat ground. Secure Left Leg Panel (D) to Leg Support Bar (E) by using Screw ((3)) with Allen Key ((5)).

Repeat the same process to secure Right Leg Panel (C) to the remaining Leg Support Bar (E).

Do not fully tighten the Screws.

Step 6:



Adjust Pre-installed Levellers height for balance

Place the Chair on a **LEVEL** surface.

Inspect it and make sure all parts are adequately connected.

Gently and gracefully, sit onto the Chair.

This pressure will help to align all the parts at all joint areas.

Check for wobbles on a **LEVEL** surface.

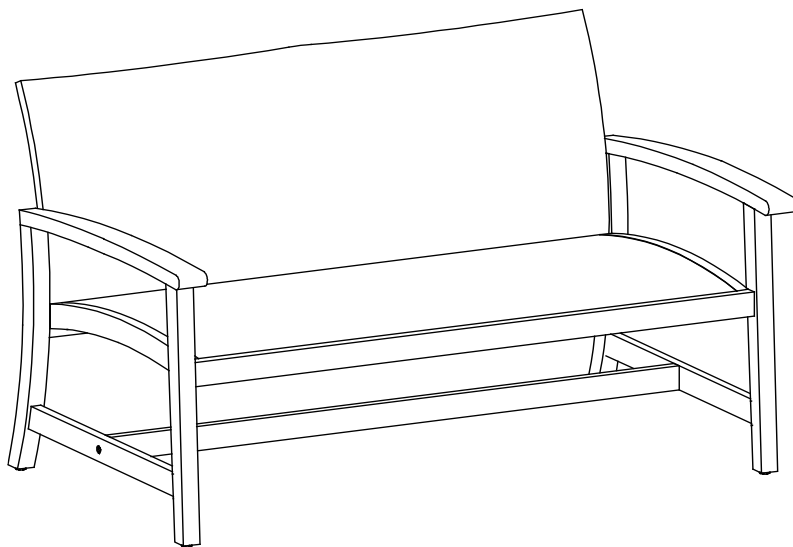
If no wobbles are found proceed to tighten the Bolts and Screws in a sequential manner, until evenly secured.

When tightening the Bolts and Screws tighten sequentially.

Adjust the Levellers until the Chair is level with the ground.

To adjust the Levellers, get assistance from an adult partner to lift/lean and hold the Chair while you are working.

Step 7:























Your Chair is ready for use

Please use adjustable foot for uneven floors

This Chair can be used on a flat, level surface

Care & Maintenance

-   ● Do not put hot items directly on furniture surface
 -   ● Do not clean furniture with harsh cleansers or polish.
 -   ● To obtain the longest lifespan of your outdoor products, minimizing exposure to direct sunlight is recommended.
 -   ● Children should not climb or jump on the furniture.
 -   ● Do not write on furniture without a padded barrier to protect the surface.
 -   ● To obtain the longest lifespan of your outdoor products, avoid extended and lengthy exposure to rain, snow, and direct sunshine. Whenever possible cover the product and /or place under patio or awnings.
 -   ● Not for commercial use. For residential use only .
 -   ● Stains may be removed with mild soap solution and damp cloth.
 -   ● Keep away from sources of ignition.
-
-   ● Dust and pick-up spills using a clean, non-colored, lint-free cloth.