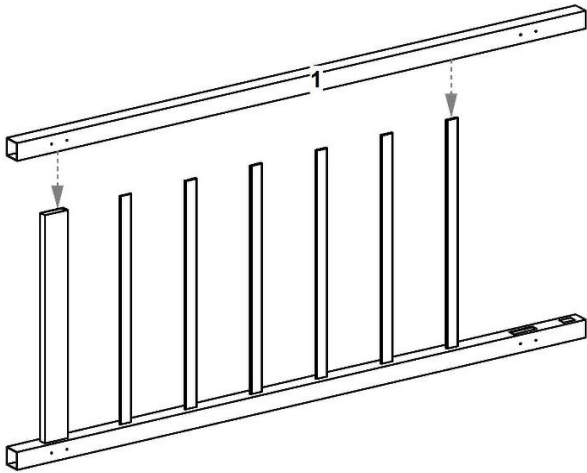


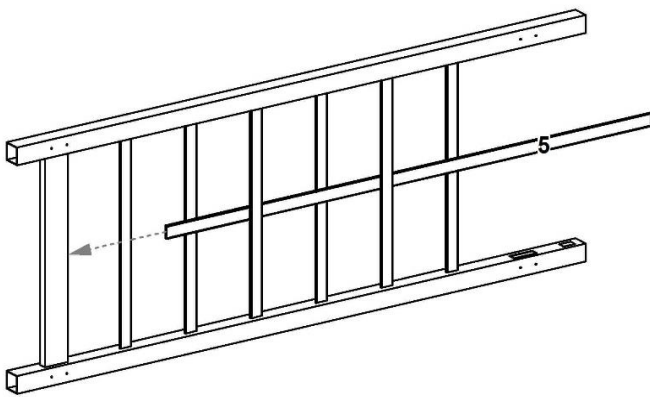
1

Lay out one right post (part 2). Starting at bottom, insert one top/bottom cross rail (part 3) and six horizontal slats (part 4).



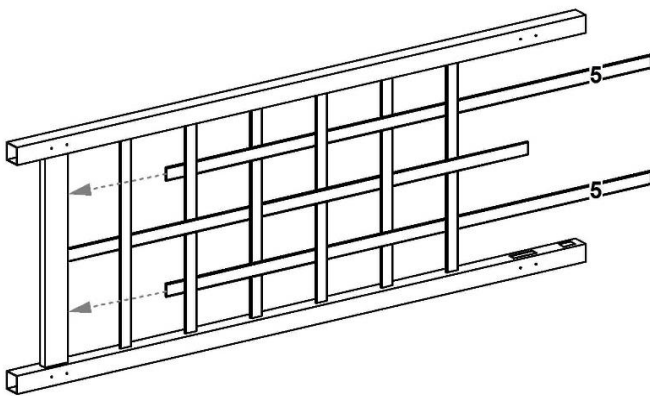
2

Slide left post (part 1) over corresponding cross rail and slats.



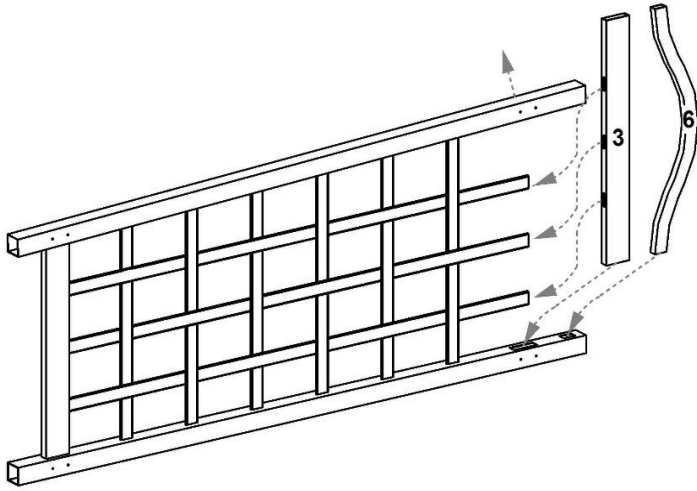
3

Weave one vertical slat (part 5) through horizontal slats. Insert end into center hole of top/bottom cross rail.



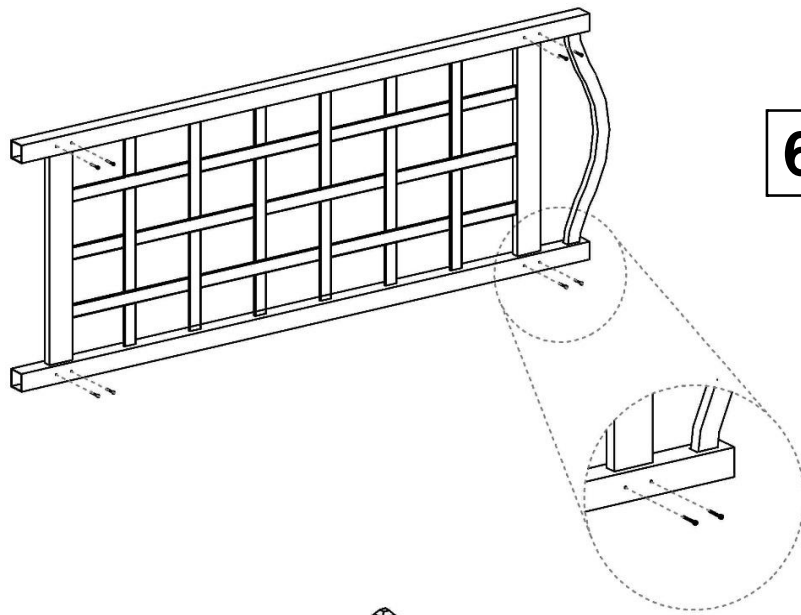
4

Weave remaining two vertical slats (part 5) through horizontal slats opposite of center vertical slat. Insert ends into remaining holes of top/bottom cross rail.



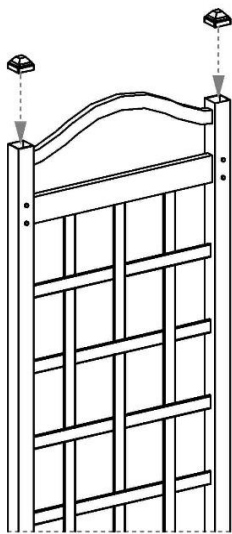
5

Separate tops of post just enough to insert remaining top/bottom cross rail (part 3) and bent trellis top (part



6

Using four 1¼" screws per post, screw together trellis. Be sure that all parts are fully inserted into posts before securing.



7

Using PVC, super or crazy glue; glue post caps onto posts.