



SUPERIOR SERIES

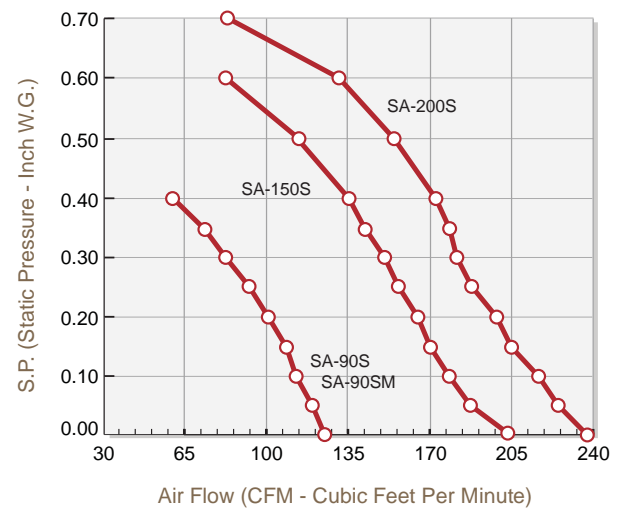
Models:

SA-90S, SA-90SM SA-150S, SA-200S



- Attractive plastic grille matches with any decor
- Painted black-steel housing
- Backdraft damper and mounting brackets are included
- Energy efficient PSC motor, designed for continuous operation
- Plastic double wheel for super quiet and efficient performance
- External electrical junction box for easy wiring
- SA-90SM model is available with motion sensor mounted on the fan grille as shown
- Suitable for installation over Bath Tub or Shower Stall with GFCI protected branch circuit
- HVI, Energy Star and UL Listed
- Manufactured in ISO 9000 facility
- Two years warranty

FAN DATA

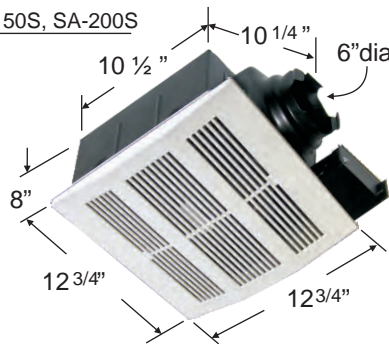


HVI Certified Rating

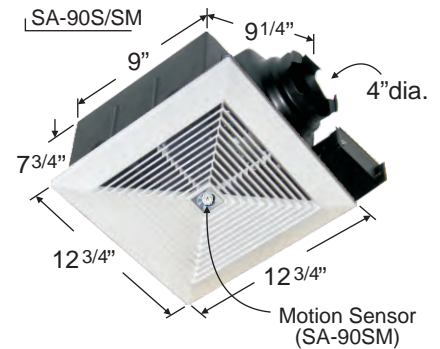
SA-90S/SM* (110 CFM @ 0.10" S.P., 1.0 Sones)
 SA-150S (170 CFM @ 0.10" S.P., 1.5 Sones)
 SA-200S (210 CFM @ 0.10" S.P., 3.0 Sones)

*SM - Superior fan with Motion Sensor

SA-150S, SA-200S



SA-90S/SM



PERFORMANCE (CFM)

MODEL	MOTOR 120 VAC 60 Hz			CUBIC FEET PER MINUTE												
	RPM	AMPS	WATTS	S.P.	0	0.05	0.10	0.15	0.20	0.25	0.30	0.35	0.40	0.50	0.60	0.70
SA-90S/SM*	1050	0.23	27.9	CFM	125	119	114	108	101	93	83	74	59			
SA-150S	850	0.4	48.4	CFM	202	188	175	170	165	157	150	143	136	114	83	
SA-200S	950	0.5	74.7	CFM	238	227	216	205	195	187	181	177	173	155	131	83

RPM (Revolution Per Minute) shown is nominal and performance is based on actual speed of test. Unit was tested with inlet grille, backdraft damper and outlet duct.



by:
 Air Specialties Ltd.
 1.866.890.6457
 1.800.810.3473

