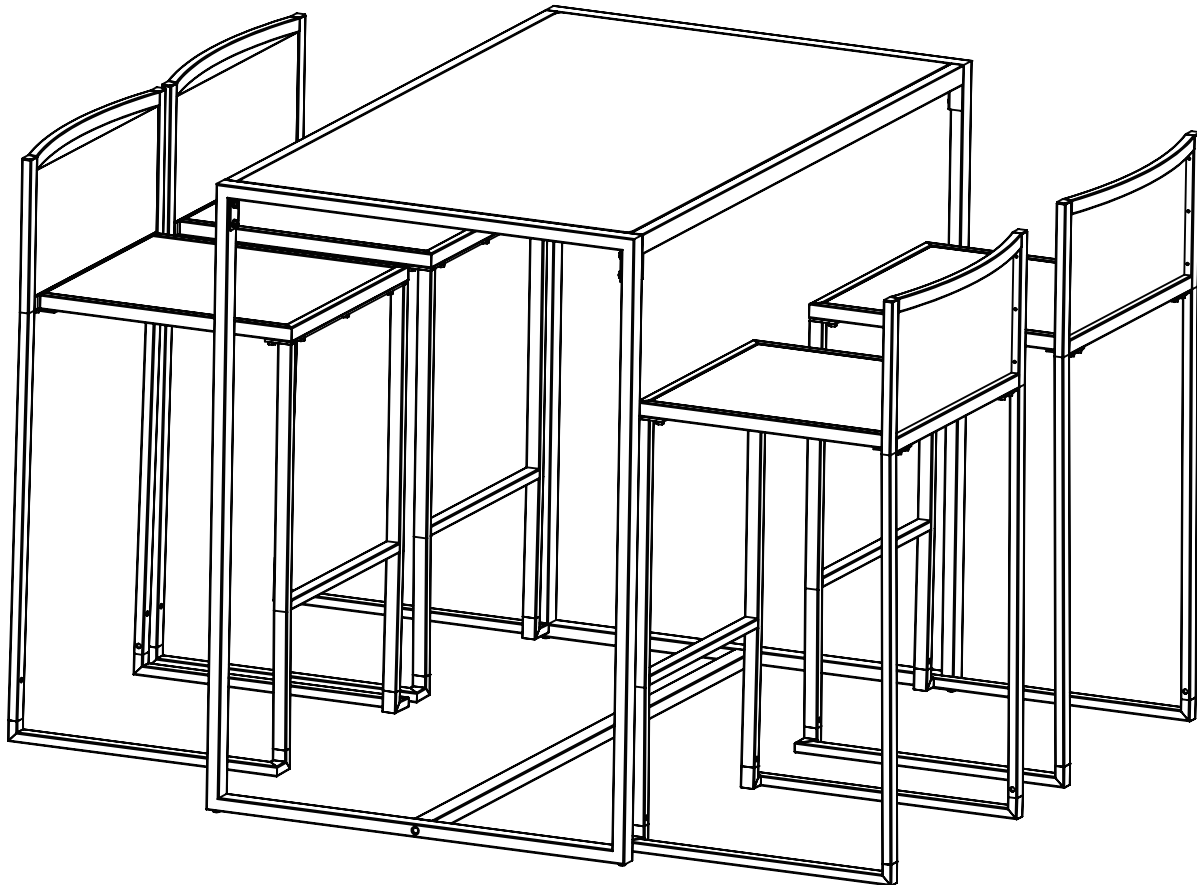


**Drake 5 piece high dining set**  
**ASSEMBLY INSTRUCTIONS**  
**SS-K-733B/5(2018)**

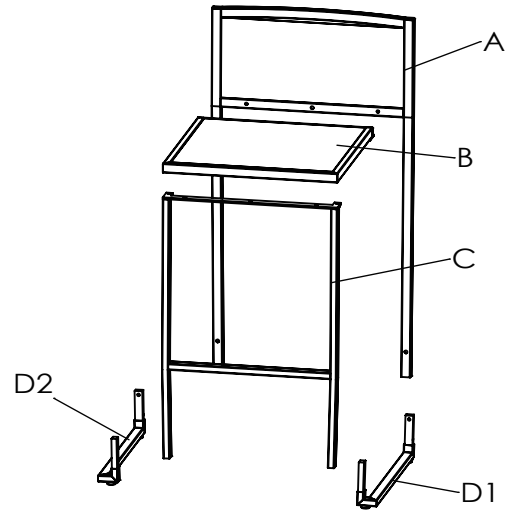
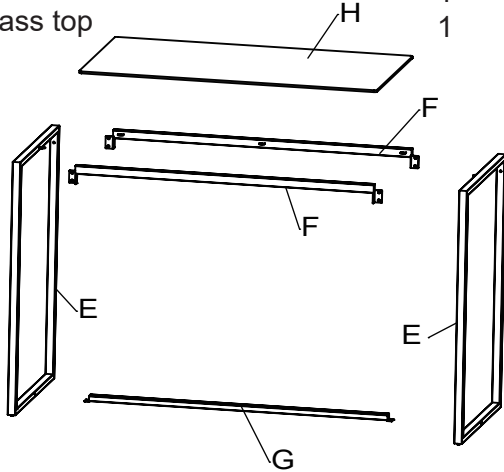


Questions, problems, missing parts with this product? Do not return to your retailer, please call our customer service department 9:00 a.m. to 5:00 p.m. Eastern Standard Time Monday through Friday Phone # 1-800-457-4652 or contact us at [www.numarkcustomerservice.com](http://www.numarkcustomerservice.com)



# Parts

- A chair back 4
- B chair seat 4
- C front panel 4
- D1 left connection Bar 4
- D2 right connection Bar 4
- E metal leg 2
- F table support bar 2
- G bottom crossbar 1
- H glass top 1



## Hardware

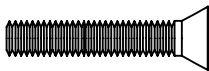
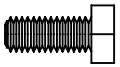
1a x 80 + 2 spare  
Bolt

1b x 2  
Screw

1c x 80  
Metal washer

1d x 1 spare  
Glass bumper

1e x 2  
Allen wrench



## Assembly instruction

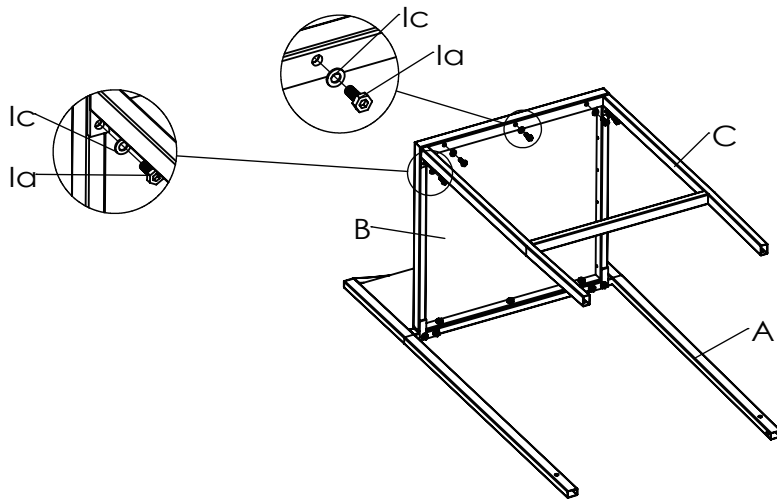
**1**

1a x 7  
Bolt

1c x 7  
Metal Washer

Do not tighten completely.  
Repeat procedure for the other side.

2



Ia x 5  
Bolt



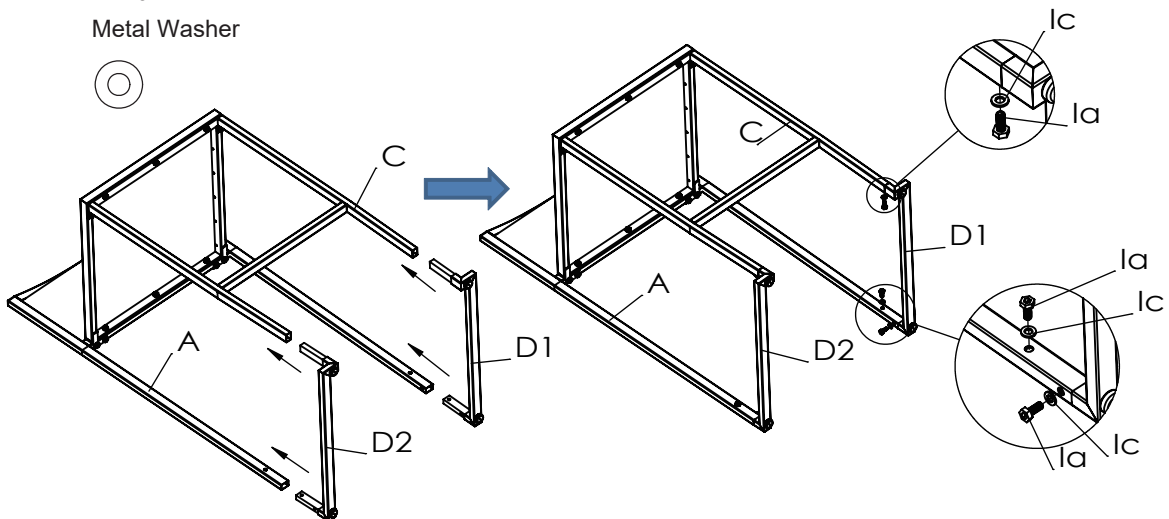
Ic x 5  
Metal Washer



Do not tighten completely.  
Repeat procedure for the other side.

3

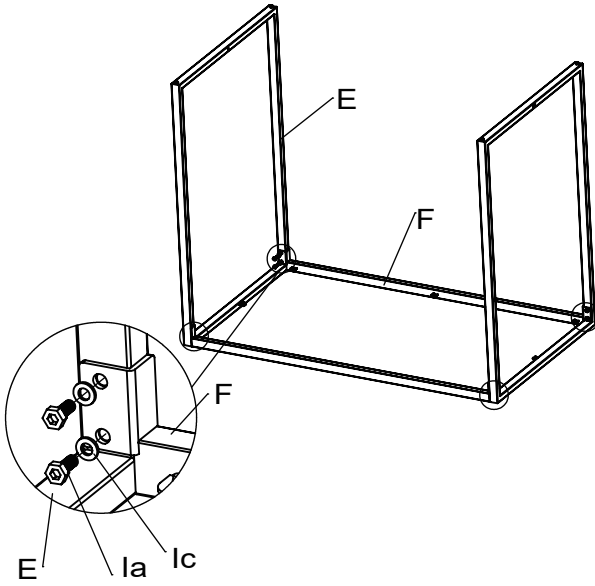
Ia x 6  
Bolt  
Ic x 6  
Metal Washer



Turn over the chair and securely tighten all bolts.  
Repeat procedure for the other chair.

# Assembly instruction

4

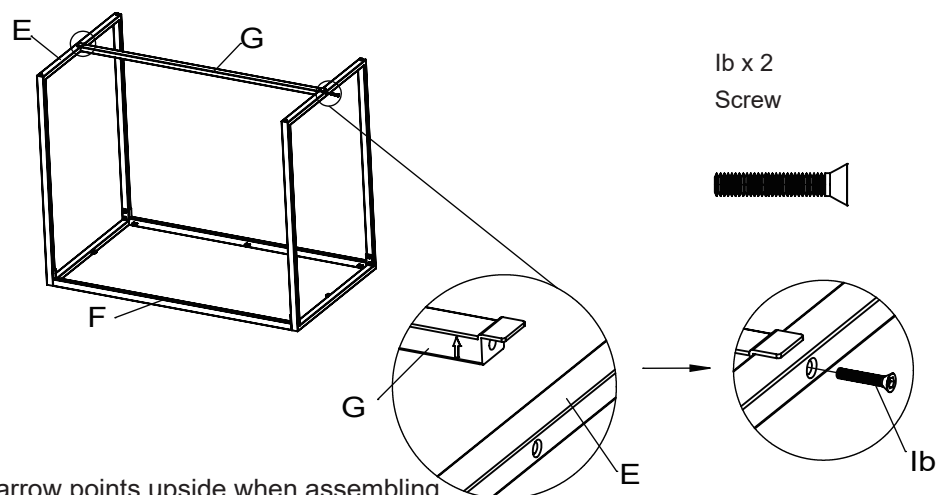


1a x 8  
Bolt

1c x 8  
Metal Washer

Do not tighten completely.  
Repeat procedure for the other three side.

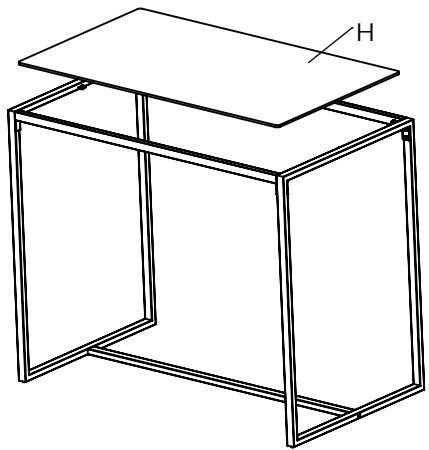
5



1b x 2  
Screw

Note: The arrow points upside when assembling  
Repeat procedure for the other side.

6



Securely tighten all bolts, put the glass onto the assembled frame.