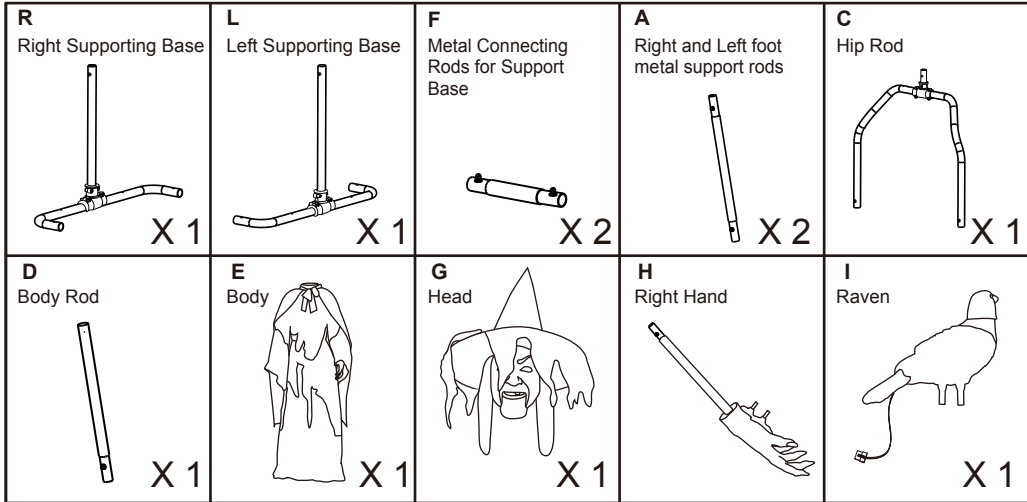


SET-UP AND OPERATING INSTRUCTIONS FOR THE 6-FOOT ANIMATED WITCH WITH RAVEN

INSTRUCTION MANUAL

Questions, problems, missing parts? Before returning to your retailer, call our customer service department at 1-877-527-0313, 8 a.m. to 5 p.m., EST, Monday-Friday or email at info@pan-asian.com.hk.

WARNING: This is not a toy and is for decorative purposes only. This item is not intended for use by children under the age of 14 years. Do not place product near an open fire or heat source such as a radiator, stove, etc.



READ CAREFULLY & RETAIN FOR FUTURE REFERENCE!

WARNING: Changes or modifications to this unit not expressly approved by the party responsible for compliance could void the user's authority to operate the equipment.

NOTE: This equipment has been tested and found to comply with the limits for a Class B digital device, pursuant to Part 15 of the FCC Rules. These limits are designed to provide reasonable protection against harmful interference in a residential installation. This equipment generates, uses and can radiate radio frequency energy and, if not installed and used in accordance with the instructions, may cause harmful interference to radio communications. However, there is no guarantee that interference will not occur in a particular installation. If this equipment does cause harmful interference to radio or television reception, which can be determined by turning the equipment off and on, the user is encouraged to try to correct the interference by one or more of the following measures:

- Reorient or relocate the receiving antenna.
- Increase the separation between the equipment and receiver.
- Connect the equipment into an outlet on a circuit different from that to which the receiver is connected.
- Consult the dealer or experienced radio/TV technician for help.

SAFETY INSTRUCTIONS:

1. All cautions in these operating instructions should be followed completely.
2. Do not use near water; such as bathtub, laundry tub, kitchen sink, wet basement or swimming pool, etc.
3. Do not display figure near any heat source such as radiators, stoves, fireplaces, etc.4. Display should be serviced by a qualified service person only. Do not attempt to service this unit beyond what is described in the operating instructions.
5. Take extra care when displaying any figure that may contain small parts around small children.
6. Use of this decoration should always be supervised by an adult.
7. Remove batteries when not in use.

BATTERY USAGE:

ADULT SUPERVISION IS RECOMMENDED WHEN CHANGING BATTERIES.

1. Do not mix old and new batteries.
2. Do not mix alkaline, standard (carbon-zinc) or rechargeable (nickel-cadmium) batteries.
3. Alkaline batteries are suggested for longer life.
4. Exhausted batteries are to be removed from the product.
5. Dispose of exhausted batteries with care.
6. Do not dispose of batteries in fire, as they may explode or leak.

CAUTION: Please remove batteries if their power is consumed or if the product is to be left unused for a long period of time.

RECYCLE YOUR BATTERIES: To help protect our environment, we recommend that all batteries be recycled. You can find a local recycling center by going to: <http://earth911.com/hazardous/single-use-batteries/> Or, in the United States call 1-800-CLEANUP for a recycling location near you.

04252019_2008486
Printed in China


Before you begin

3D INTERACTIVE INSTRUCTIONS

FOR THIS PRODUCT ARE IN

BILT.

Intelligent Instructions

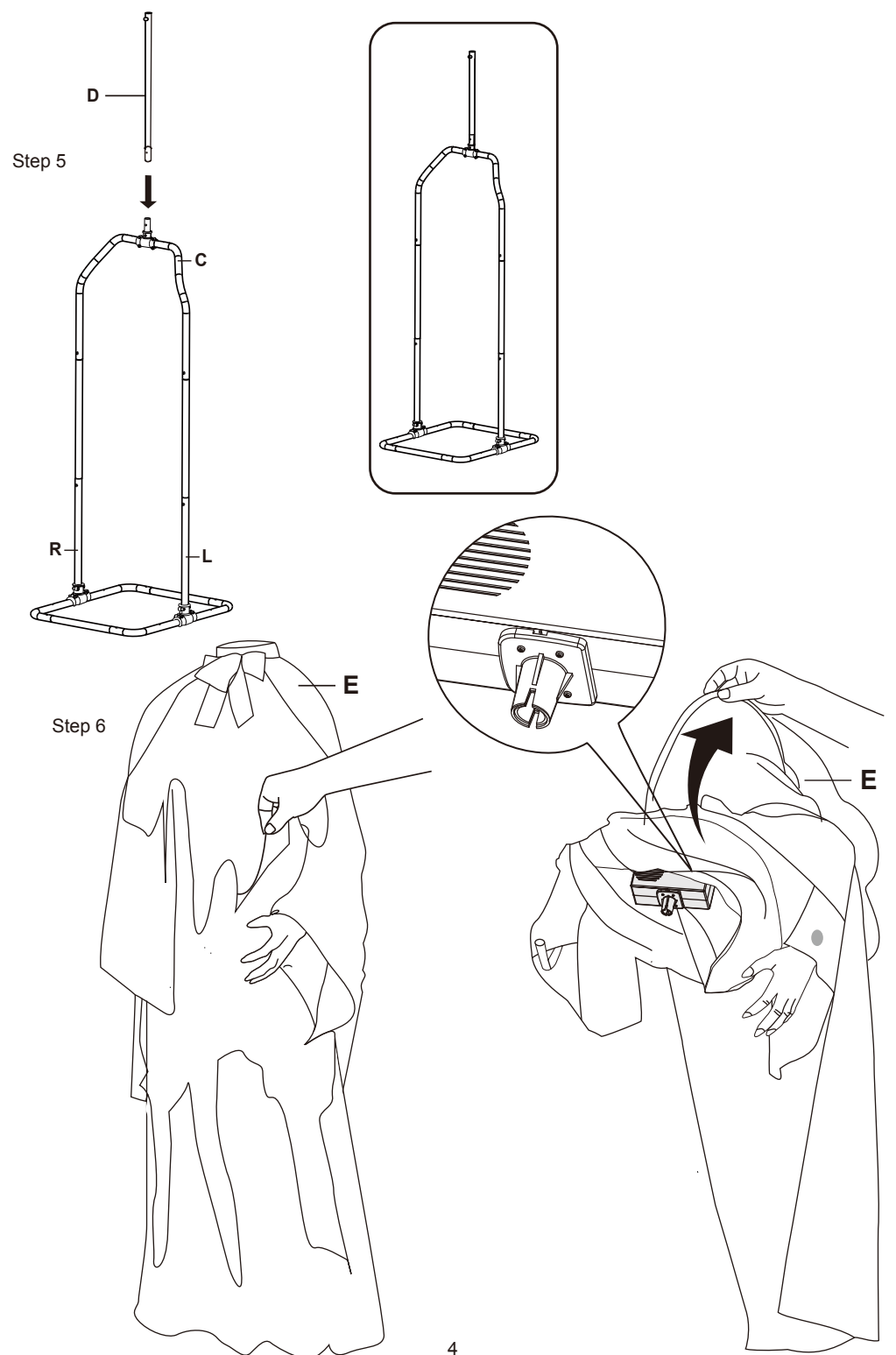
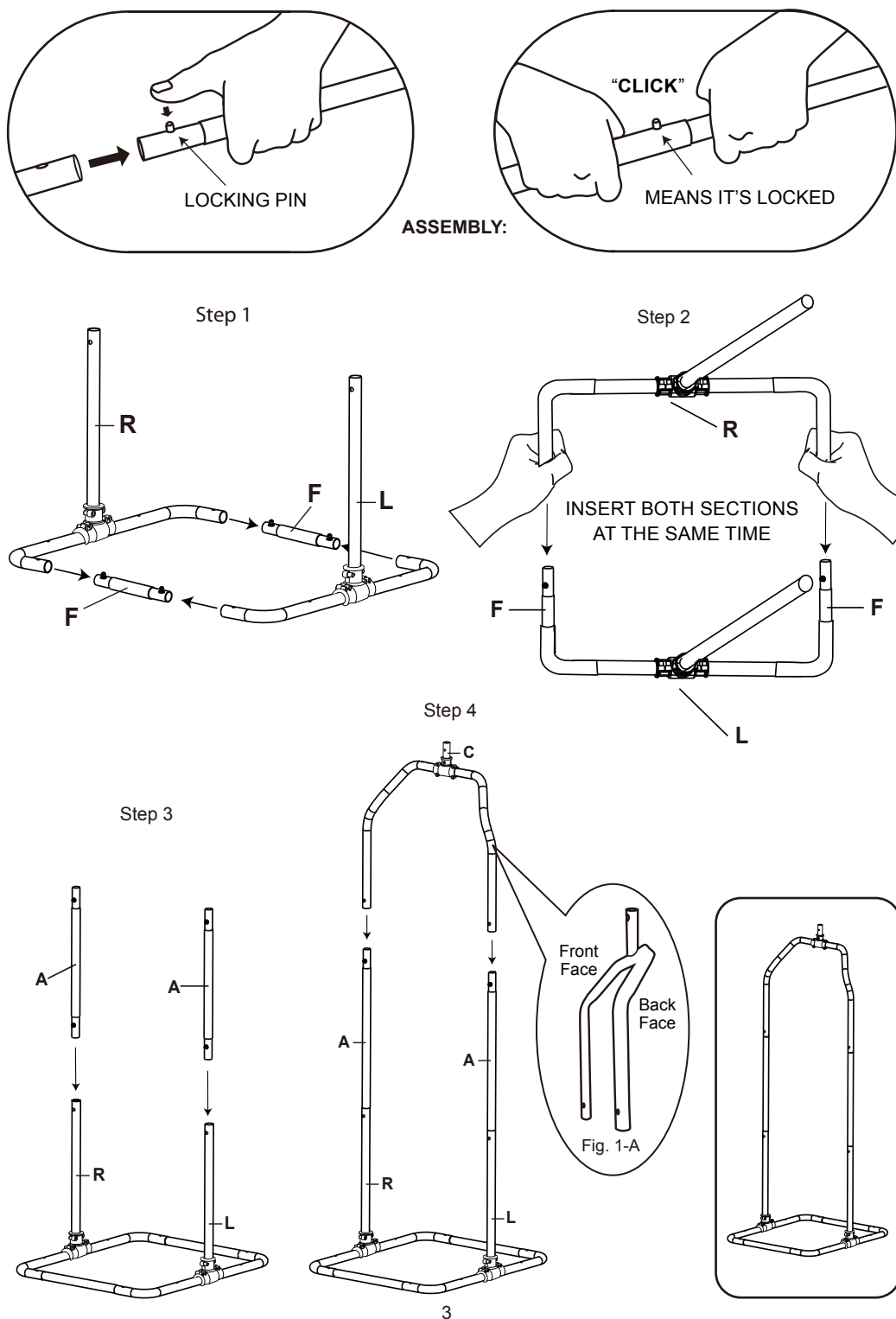


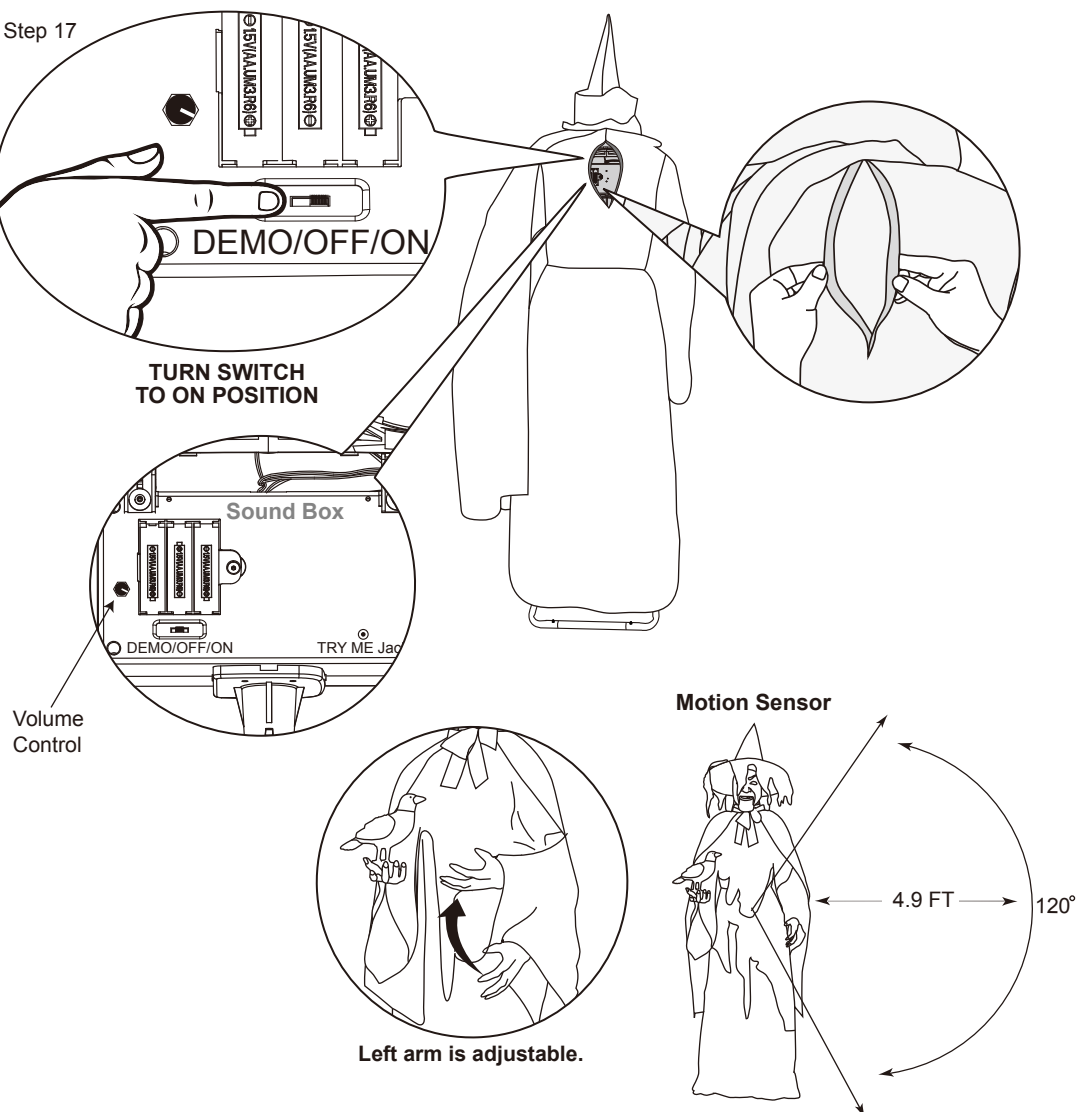
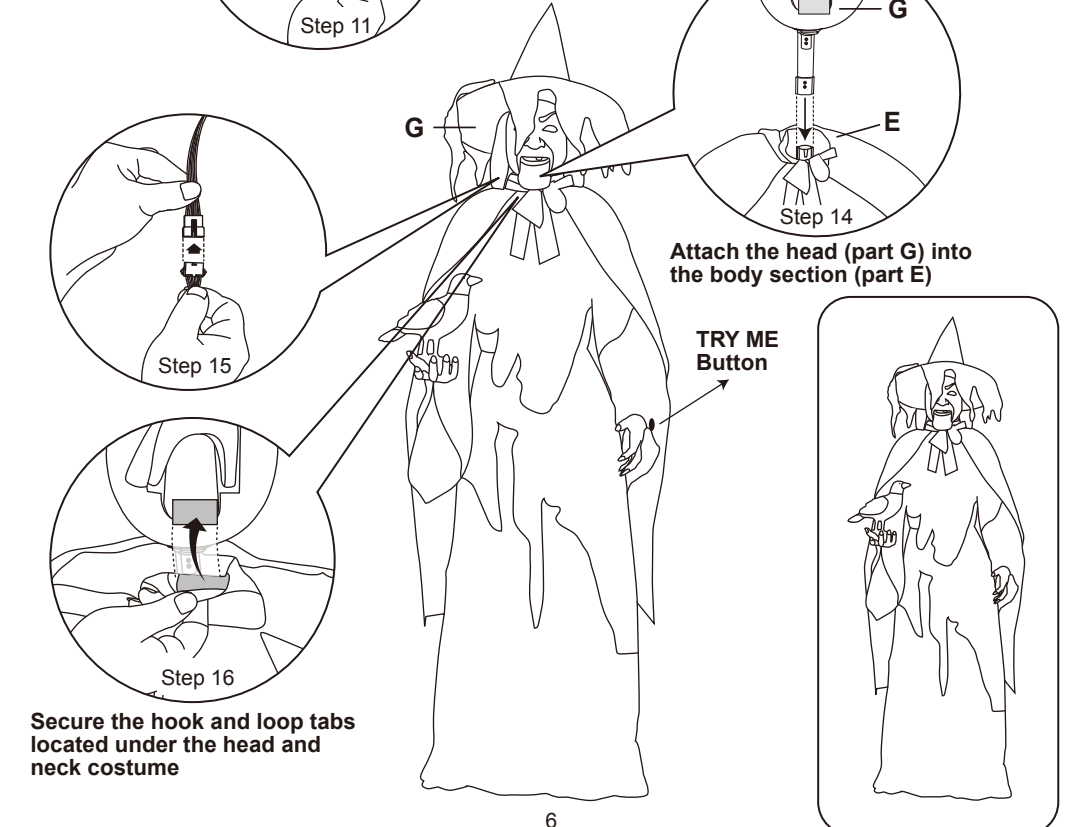
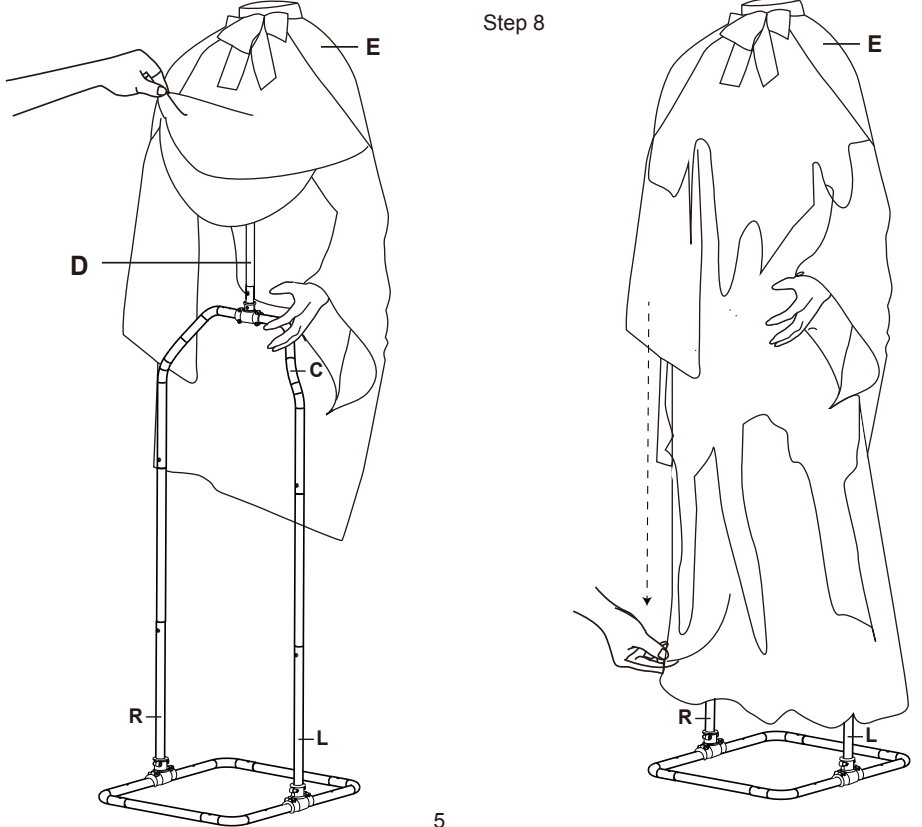
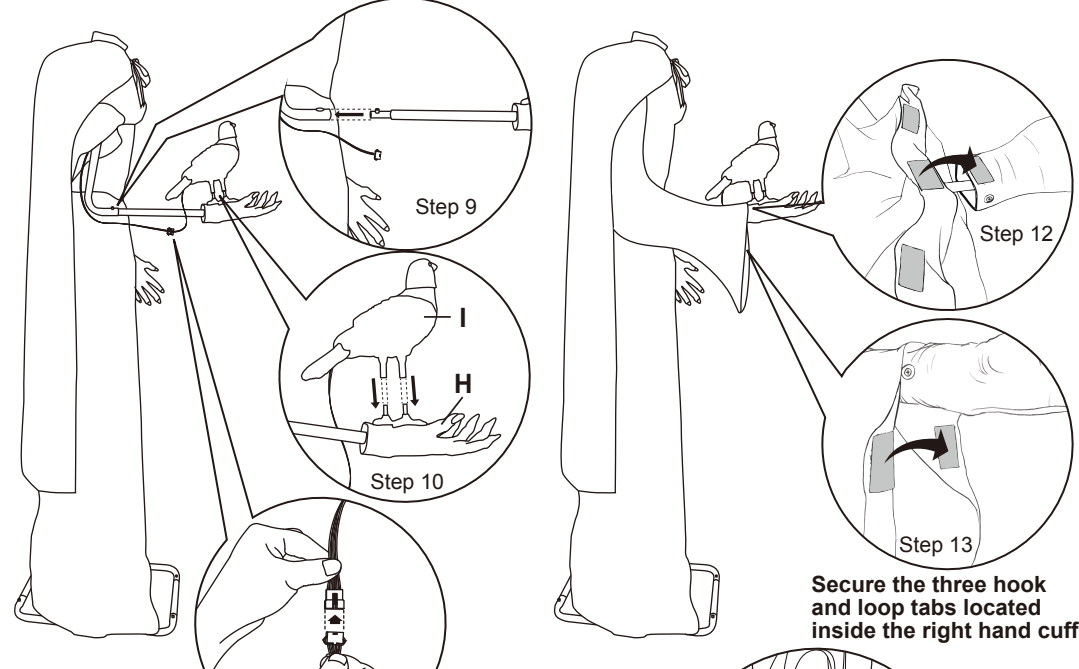
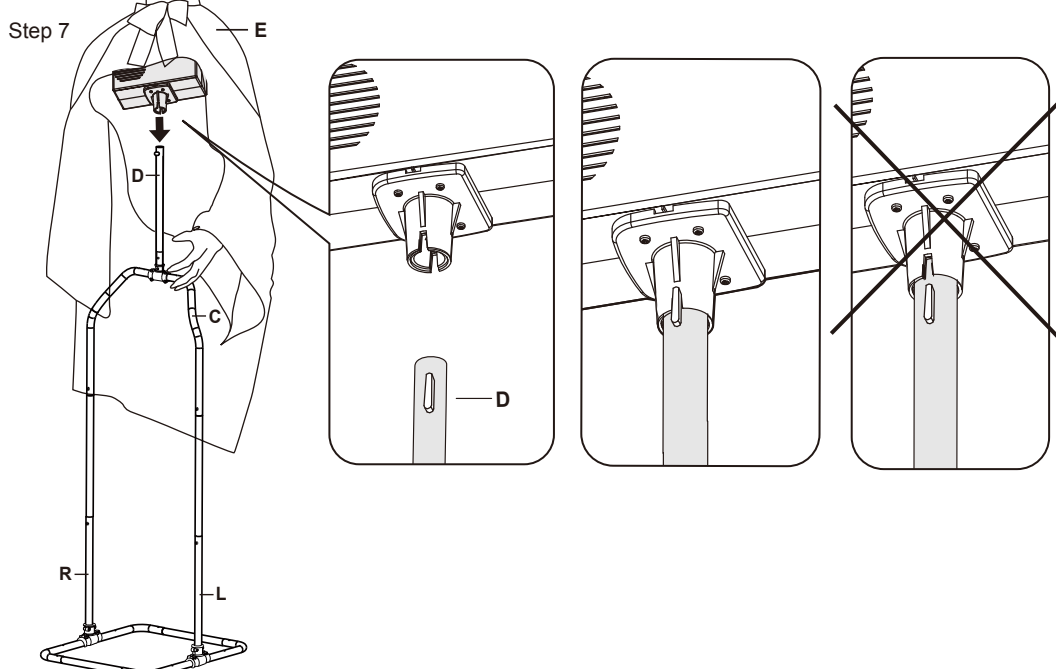
DOWNLOAD THE FREE APP

Download on the App Store | GET IT ON Google Play

1

2





TROUBLE SHOOTING:

Problem	Solution
The product does not work	1. Check if the positive and negative terminals of the battery are installed correctly.
	2. Check whether the battery is dead. Replace the new battery.
The motion sensor does not work	1. Check the ON/OFF/DEMO switch is located in the "ON" position.
	2. Examine if there is an obstruction on the surface of the motion sensor.
	3. Check all wire connections.

If you are still experiencing problems with the product please call 1-877-527-0313 for further assistance.

BATTERY REPLACEMENT & ITEM FUNCTION:
 Battery-powered. Requires 3 "AA" batteries (batteries are included).
 1. Remove the battery case cover, which is located on the back of the upper body section. To access the battery compartment, open the hook and loop closure and using a small screw driver, unscrew the safety screw and then remove the battery compartment cover (as show in diagram).
 2. Clean the battery contacts and also those of the device prior to battery installation.
 3. Insert new 3 "AA" batteries with correct polarity and replace cover and safety screw.
 4. The DEMO/OFF/ON switch is located on the battery case. Place the switch into the "ON" position to activate the "Motion Sensor" function. When activated, the unit will come to life. (Note: The "Motion Sensor" is activate at angle is 120° and the detection zone is 3.3 Feet to 4.9 Feet). Place the Switch into the "DEMO" position to activate the "Try-Me" feature and press the Step Pad (sold separately) to see and hear a short demonstration. Place the Switch into the "OFF" position and remove the batteries when the unit is not in use or is being stored.
 5. Replace batteries if the movement becomes slow, LED's become dim or sound is distorted or faint.