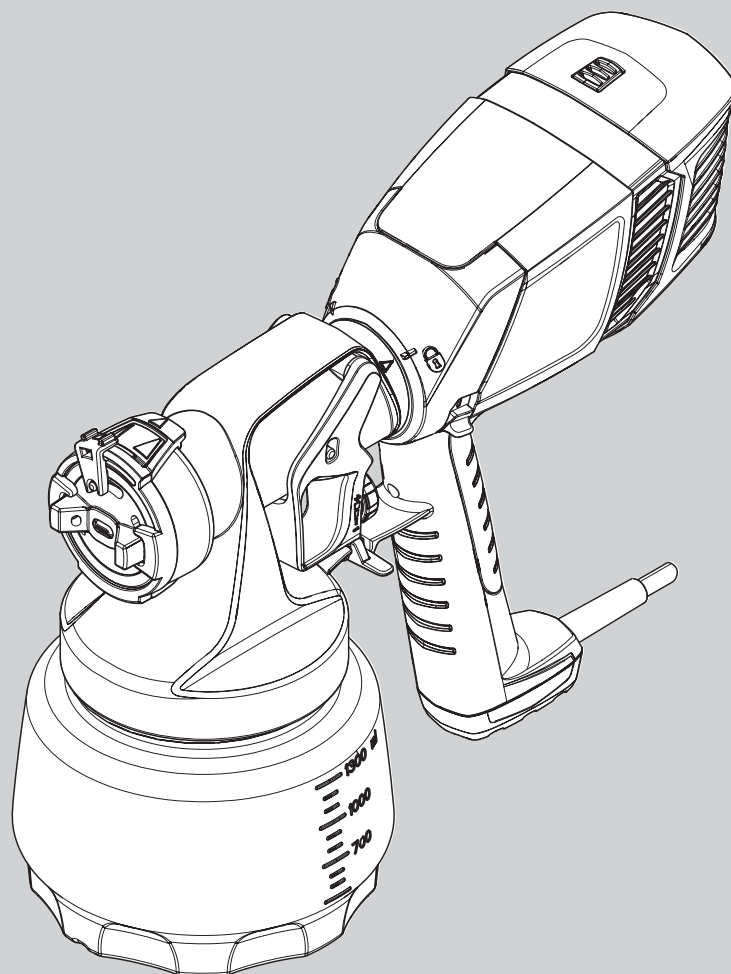


**WAGNER**



# CONTROL STAINER™ 350

## OWNER'S MANUAL

READ THIS MANUAL FOR COMPLETE INSTRUCTIONS

FRANÇAIS - P. 13

ESPAÑOL - P. 25



[wagner-group.com](http://wagner-group.com)

Watch a video manual at [www.wagnerspraytech.com/controlstainer350](http://www.wagnerspraytech.com/controlstainer350)

UNCONTROLLED COPY

1116 • Form No. 0529618A

# IMPORTANT SAFETY INFORMATION






## TABLE OF CONTENTS

IMPORTANT SAFETY INFORMATION .....	2-3
CONTROLS AND FUNCTIONS .....	4-5
SETUP .....	6-7
SPRAYER CONTROLS .....	8
SPRAYING .....	9
CLEANUP .....	10
MAINTENANCE .....	11
TROUBLESHOOTING .....	12
PARTS LIST .....	37-38
WARRANTY .....	39

## EXPLANATION OF SYMBOLS


Read all safety information before operating the equipment. Save these instructions.

To reduce the risks of fire or explosion, electrical shock and the injury to persons, read and understand all instructions included in this manual. Be familiar with the controls and proper usage of the equipment.

	Indicates a hazardous situation which, if not avoided, could result in death or serious injury.
<b>IMPORTANT:</b>	This symbol indicates a potential hazard to you or to the equipment. Important information that tells how to prevent damage to the equipment or how to avoid causes of minor injuries will follow.
	Danger of electric shock
	Danger of fire from solvent and paint fumes
	Danger of explosion from solvent, paint fumes and incompatible materials
	Notes give important information which should be given special attention.

## GROUNDING INSTRUCTIONS

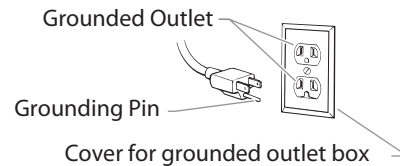
This product must be grounded. In the event of an electrical short circuit, grounding reduces the risk of electric shock by providing an escape wire for the electric current. This product is equipped with a cord having a grounding wire with an appropriate grounding plug. The plug must be plugged into an outlet that is properly installed and grounded in accordance with all local codes and ordinances.

	<b>WARNING</b> - Improper installation of the grounding plug can result in a risk of electric shock.
---	--

If repair or replacement of the cord or plug is necessary, do not connect the green grounding wire to either flat blade terminal. The wire with insulation having a green outer surface with or without yellow stripes is the grounding wire and must be connected to the grounding pin.

Check with a qualified electrician or serviceman if the grounding instructions are not completely understood, or if you are in doubt as to whether the product is properly grounded. Do not modify the plug provided. If the plug will not fit the outlet, have the proper outlet installed by a qualified electrician.

This product is for use on a nominal 120 volt circuit and has a grounding plug that looks like the plug illustrated below. Make sure that the product is connected to an outlet having the same configuration as the plug. No adapter should be used with this product.




## IMPORTANT ELECTRICAL INFORMATION

Use only a 3-wire extension cord that has a 3-blade grounding plug and a 3-slot receptacle that will accept the plug on the product. Make sure your extension cord is in good condition. When using an extension cord, be sure to use one heavy enough to carry the current your product will draw. An undersized cord will cause a drop in line voltage resulting in loss of power and overheating. A 14 gauge or 12 gauge cord is recommended. If an extension cord is to be used outdoors, it must be marked with the suffix W-A after the cord type designation. For example, a designation of SJTW-A would indicate that the cord would be appropriate for outdoor use.

<b>IMPORTANT:</b>	Household use only. Intended for indoor/outdoor use ONLY with materials having flashpoint above 100°F (38°C).
-------------------	---

# IMPORTANT SAFETY INFORMATION

## SAFETY HAZARDS

	<b>HAZARD: EXPLOSION OR FIRE</b> Flammable vapors, such as solvent and paint vapors, in work area can ignite or explode.
---	---


### PREVENTION:

- Do not spray flammable or combustible materials near an open flame, pilot lights or sources of ignition such as hot objects, cigarettes, motors, electrical equipment and electrical appliances. Avoid creating sparks from connecting and disconnecting power cords.
- For use with only water-based or mineral spirit-type materials with a minimum flash point of 100°F (38°C) — Do not spray or clean with liquids having a flash point of less than 100°F (38°C). Flash point is the temperature at which a fluid can produce enough vapor to ignite.
- Verify that all containers and collection systems are grounded to prevent static discharge.
- Connect to a grounded outlet and use grounded extension cords (electric models only). Do not use a 3 to 2 adapter.
- Keep spray area well ventilated. Keep a good supply of fresh air moving through the area to keep the air within the spray area free from accumulation of flammable vapors.
- Do not smoke in the spray area.
- Do not operate light switches, engines, or similar spark producing products in the spray area.
- Keep area clean and free of paint or solvent containers, rags, and other flammable materials.
- Know the contents of the paint and solvents being sprayed. Read all material Safety Data Sheets (SDS) and container labels provided with the paints and solvents. Follow the paint and solvent manufacture's safety instructions.
- Fire extinguisher equipment shall be present and working.

	<b>HAZARD: ELECTRIC SHOCK</b> This product can cause injury due to electric shock.
---	---

### PREVENTION:

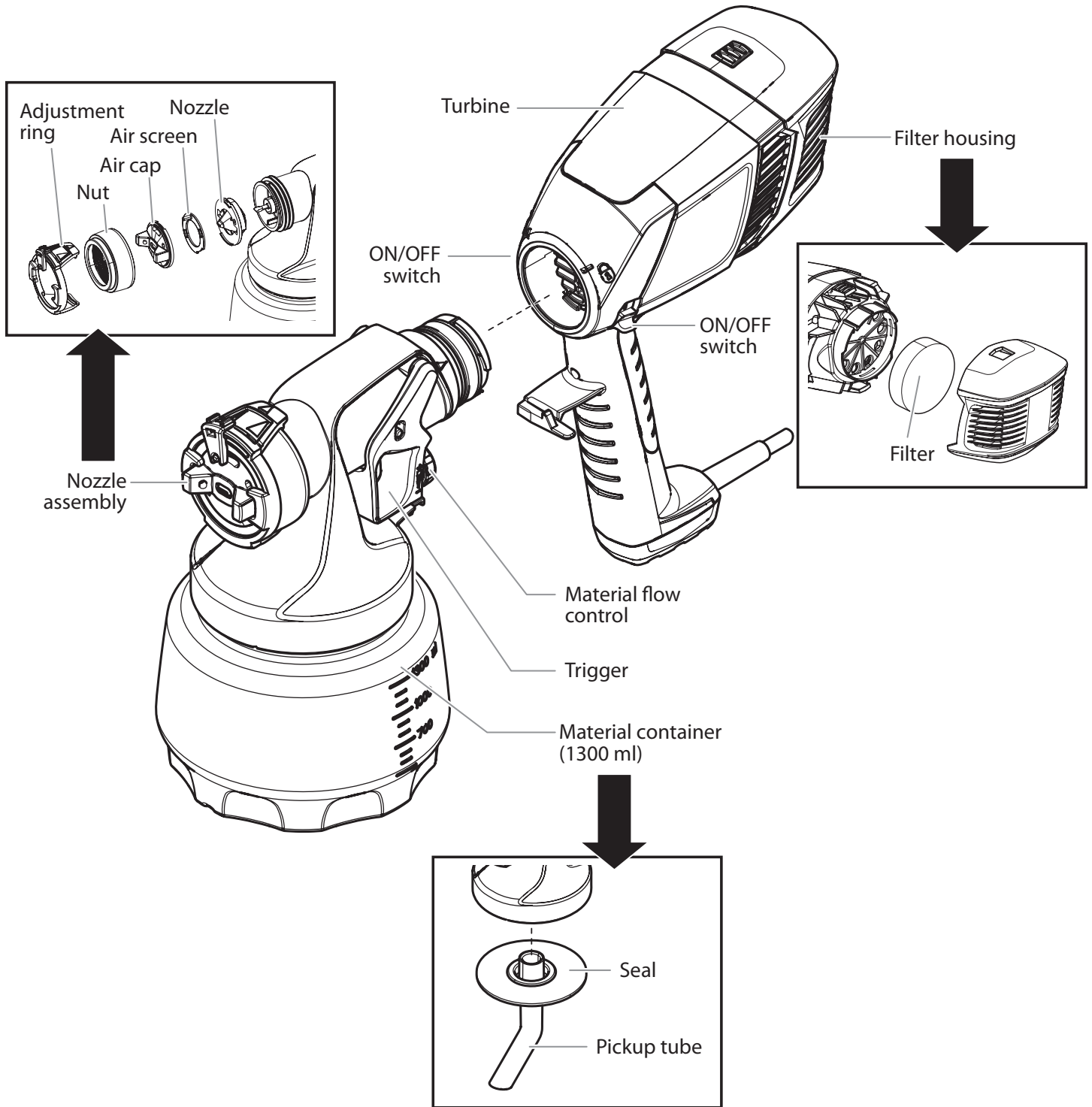
- Power cord must be connected to a grounded circuit.
- Never submerge electrical parts.
- Never expose the equipment to rain. Store indoors.
- Keep electrical cord plug and spray gun trigger free from paint and other liquids. Never hold the cord at plug connections to support the cord. Failure to observe may result in an electrical shock.

	<b>HAZARD: GENERAL</b> This product can cause severe injury or property damage.
---	--

### PREVENTION:

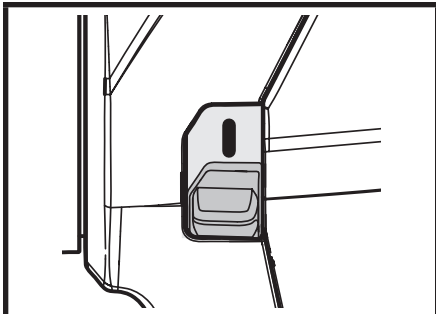
- Always wear appropriate gloves, eye protection, clothing and a respirator or mask when painting. Hazardous vapors – Paints, solvents, insecticides, and other materials can be harmful if inhaled or come in contact with body. Vapors can cause severe nausea, fainting or poisoning.
- Do not operate or spray near children. Keep children away from equipment at all times.
- Do not overreach or stand on an unstable support. Keep effective footing and balance at all times.
- Stay alert and watch what you are doing.
- Do not operate the unit when fatigued or under the influence of drugs or alcohol.
- Never aim spray gun at any part of the body.
- Follow all appropriate local, state, and national codes governing ventilation, fire prevention, and operation.
- The United States Government Safety Standards have been adopted under the Occupational Safety and Health Act (OSHA). These standards, particularly part 1910 of the General Standards and part 1926 of the Construction Standards should be consulted.
- Use only manufacturer authorized parts. User assumes all risks and liabilities when using parts that do not meet the minimum specifications and safety devices of the turbine manufacturer.
- Power cord must be connected to a grounded circuit.
- Do not spray outdoors on windy days.

# CONTROLS AND FUNCTIONS





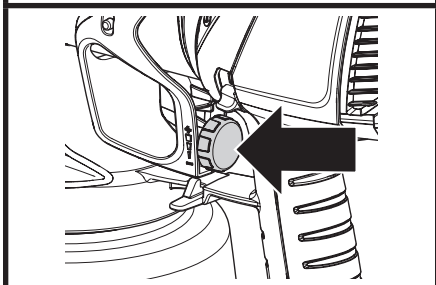
# CONTROLS AND FUNCTIONS



## ON / OFF SWITCH

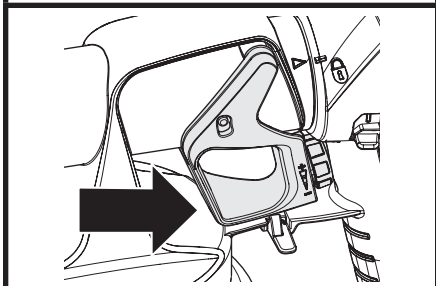
The ON/ OFF switch turns the turbine ON (I) and OFF (O).

No spray material will be delivered until trigger is pulled.



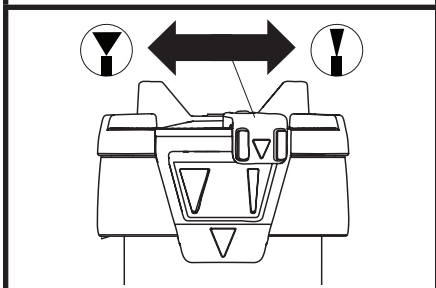
## MATERIAL FLOW CONTROL

The material flow control knob determines the amount of spray material that is sprayed from the spray nozzle.



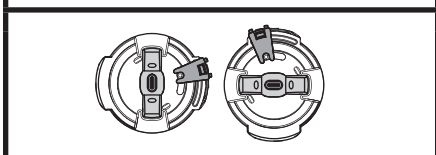
## TRIGGER

Pulling the trigger will deliver spray material from the material container to the nozzle assembly, where it is sprayed.



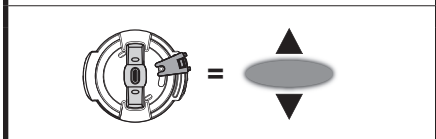
## SPRAY WIDTH LEVER

The spray width lever determines the width of the spray pattern.

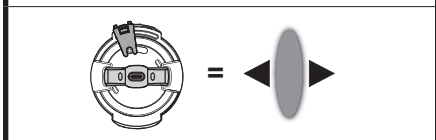


## ADJUSTMENT RING

The spray pattern shape is adjusted by turning the adjustment ring to either the vertical or horizontal positions.



Horizontal pattern (use 'up and down' spraying motion)



Vertical pattern (use 'side to side' spraying motion)

## SETUP



For a video showing how to set up the Control Stainer, visit:  
[www.wagnerspraytech.com/controlstainer350](http://www.wagnerspraytech.com/controlstainer350)

## MATERIAL PREPARATION



Material to be sprayed may need to be strained to remove any impurities in the paint which may enter and clog the system. Impurities in the paint will give poor performance and a poor finish.

## SPRAYABLE MATERIALS

- Sealers
- Semi-Transparent stain
- Solid stains
- Lacquer
- Urethanes
- Decorative paints (thinning may be necessary)
- Latex and oil-based paints (thinning may be necessary)

## \*THINNING THE MATERIAL

Before spraying, the material being used may need to be thinned with the proper solvent as specified by the material manufacturer. Never exceed the thinning advice given by the coating manufacturer.

If thinning is necessary, use the proper solvent as specified by the material manufacturer. Never exceed the thinning advice given by the coating manufacturer.



Only thin the material if absolutely necessary to improve spray performance. Optimal spray performance should be achieved simply by adjusting the various controls on the unit.



Do not thin with materials that have a flashpoint below 100°F (38°C).

# SETUP



For a video showing how to set up the Control Stainer, visit:  
[www.wagnerspraytech.com/controlstainer350](http://www.wagnerspraytech.com/controlstainer350)

## ASSEMBLY



NEVER point the spray gun at any part of the body.  
Make sure the power cord is unplugged.

1. Stir the spraying material thoroughly.
2. Fill the container. Use a strainer to remove any particles.  
(see **Thinning the Material**, previous page, if thinning is required).
3. Align the pickup tube -
  - A If spraying downward, the angled end of the pickup tube should be pointing toward the front of the nozzle.
  - B If spraying upward, the angled end of the pickup tube should be pointing toward the rear of the nozzle.



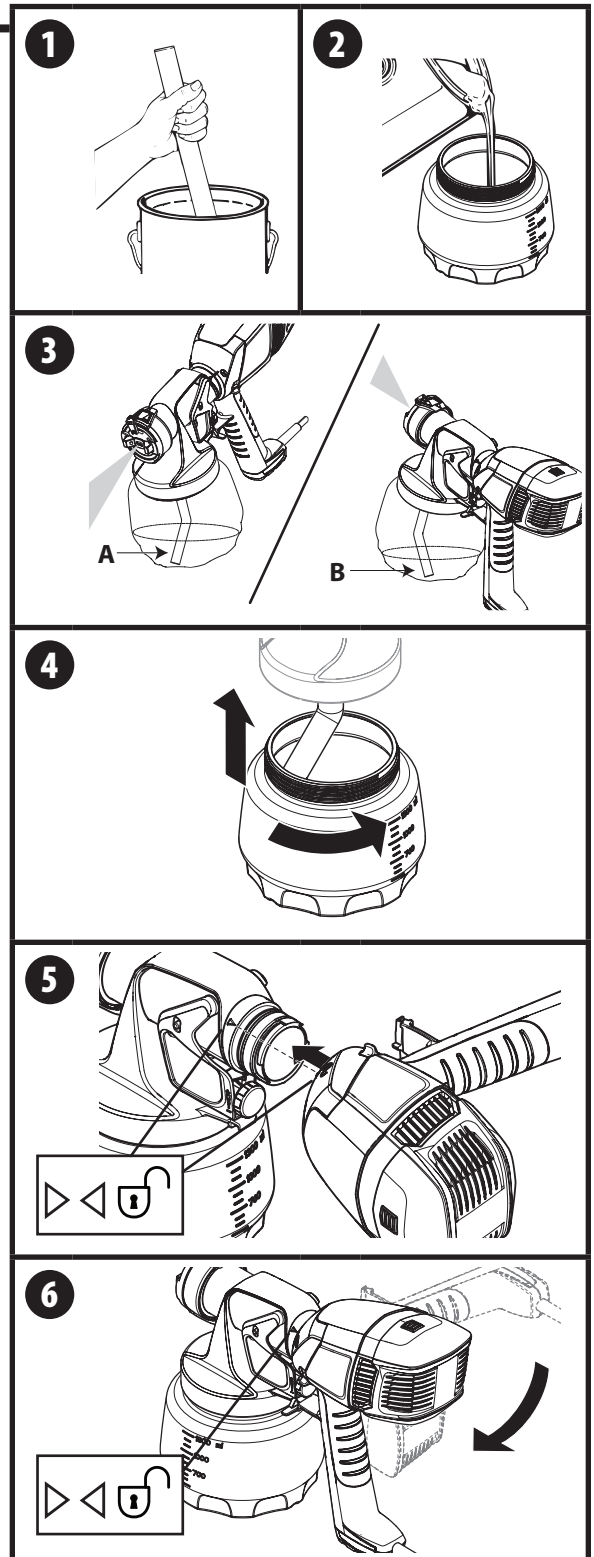
Make sure the pickup tube is inserted as far as it will go to ensure a tight fit.

4. Carefully screw the cup back onto the nozzle assembly. Tighten firmly.
5. Align the arrow on the nozzle with the "unlock" symbol on the spray gun handle.
6. Insert and twist the nozzle into the handle toward the "lock" symbol on the handle. The tab below the trigger will lock the two pieces into place.

### IMPORTANT:

If the unit has already been used, make sure the nozzle seal is in place (see page 10).

Do not pull trigger at any time if the turbine is not running. Paint will drip from the nozzle.



# SPRAYER CONTROLS



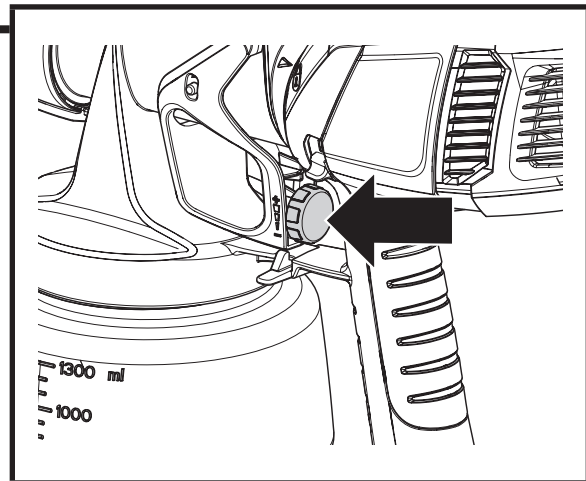
For a video showing Control Stainer 350 spraying tips and best practices, visit:  
[www.wagnerspraytech.com/controlstainer350](http://www.wagnerspraytech.com/controlstainer350)

## MATERIAL FLOW CONTROL



The material flow control will be factory-set at its lowest setting out of the box. Adjust as needed.

- Turn the knob out (counterclockwise) for less flow. Generally, low material flow is needed for spraying smaller surface areas, such as corners, lattice, or spindles.
- Turn the knob in (clockwise) for increased flow. Generally, high material flow is needed for spraying large surface areas, such as fences and decks.



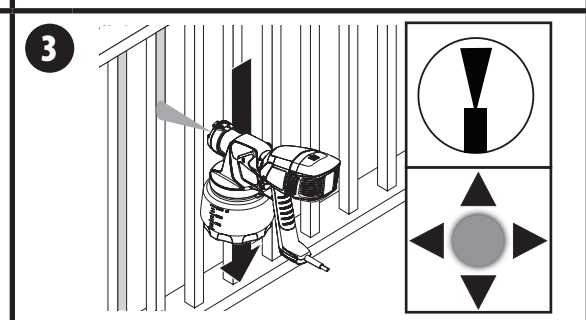
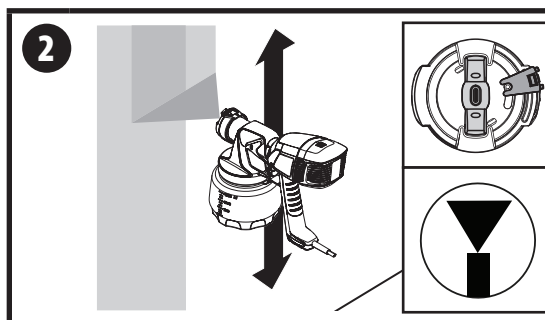
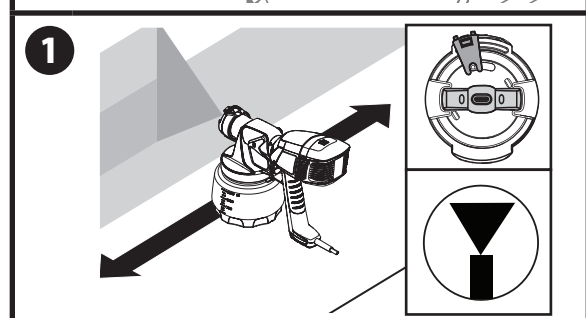
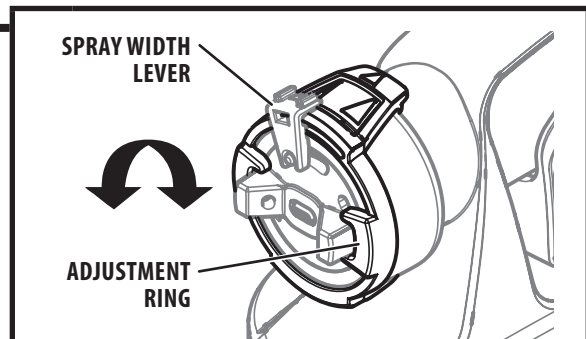
## PATTERN ADJUSTMENT



Adjust the spray pattern by turning the adjustment ring. The adjustment ring position will determine the movement direction of the spray gun.

The spray width lever on the iSpray nozzle determines the width of the spray pattern.

1. Vertical pattern:  
Use side-to-side motion during spraying.
2. Horizontal pattern:  
Use up and down motion during spraying.
3. Narrow pattern (set spray width lever to narrow):  
Use up and down, or side to side spraying motion, depending upon the object being sprayed.




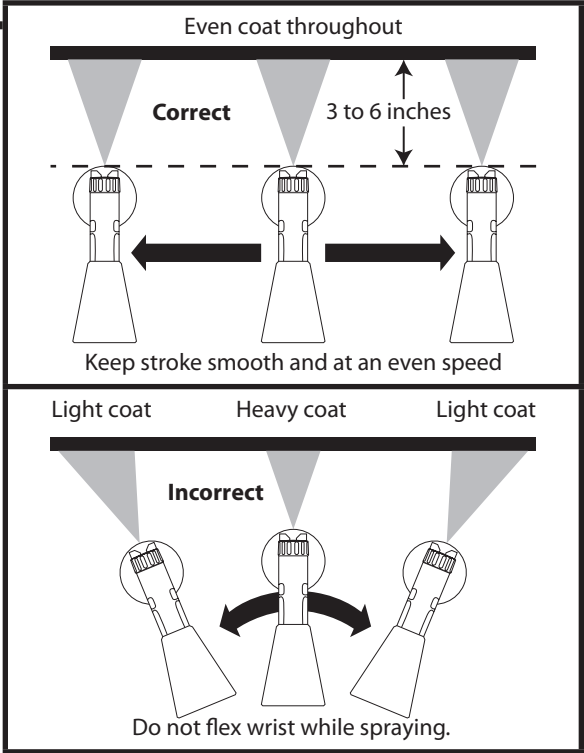
# SPRAYING

	<p>For a video showing Control Stainer 350 spraying tips and best practices, visit:  <a href="http://www.wagnerspraytech.com/controlstainer350">www.wagnerspraytech.com/controlstainer350</a></p>
---	---

## HOW TO SPRAY PROPERLY

- Turn the ON/OFF switch to ON (I) to turn on the turbine. No material will spray until the trigger is activated.
- Position the spray gun perpendicular to the spray surface.
- Spray parallel to the surface with straight and full passes at a consistent speed as illustrated, right.
- Always apply a thin coat of material on the first pass and allow to dry before applying a second, slightly heavier coat.
- When spraying, always trigger the spray gun after the spray pass has begun and release the trigger before stopping the pass. Always keep the gun pointed squarely at the spray surface and overlap passes slightly to obtain the most consistent and professional finish possible.



	<p>Frequently wipe the nozzle tip with a damp rag when spraying to remove dried material.</p>
---	---

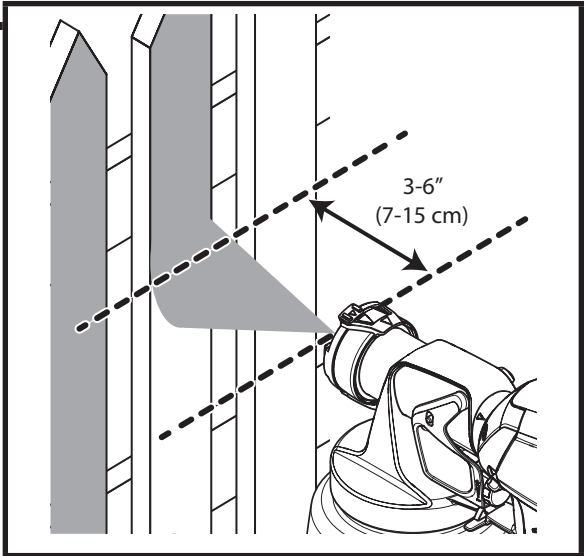


## PRACTICE YOUR TECHNIQUE

Practice your technique (use provided poster).

- **Get closer.** The spray gun should be 3-6 inches away from the spray object.
- **Full passes.** Spray the material in straight and full passes, not short waves.
- **Light coats.** For a finer finish, coat lightly during first pass, then cover completely on second pass. .




	<p>DO NOT pull the trigger when the turbine is turned OFF. Spray material will leak from the nozzle.</p>
	<p>If after following the guidelines on these two pages you are still not getting the spray performance you need, refer to the 'Troubleshooting' section on page 12.</p>




# CLEANUP

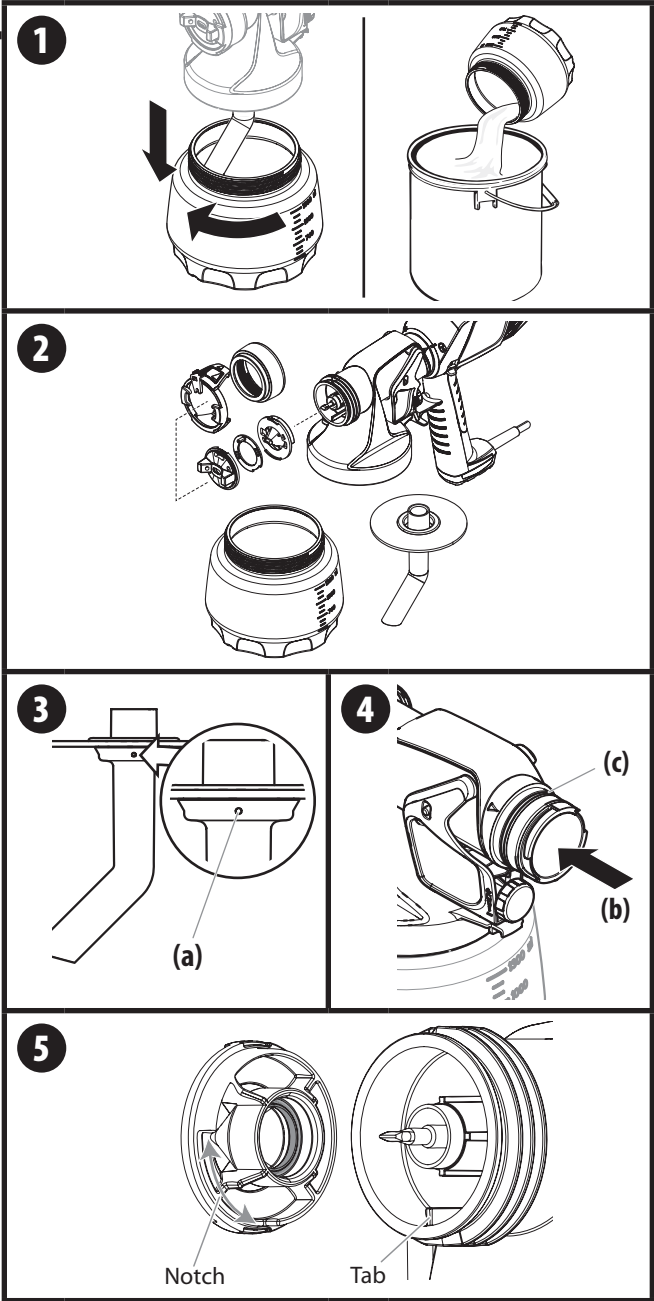
	For a video showing cleanup of the Control Stainer150, visit: <b><a href="http://www.wagnerspraytech.com/controlstainer350">www.wagnerspraytech.com/controlstainer350</a></b>
---	--

## CLEANUP NOTES

	When cleaning, use the appropriate cleaning solution (warm, soapy water for water-based coatings, and mineral spirits for oil-based coatings).
	Special cleanup instructions for use with flammable solvents (must have a flashpoint above 100°F (38°C): <ul style="list-style-type: none"> <li>• Always flush spray gun outside.</li> <li>• Area must be free of flammable vapors.</li> <li>• Cleaning area must be well-ventilated.</li> <li>• Do not submerge turbine!</li> </ul>
	For basic quick-cleaning between color changes, fill the material container with cleaning solution and spray the cleaning solution through the gun and into a waste container.

1. Turn turbine OFF.  
Remove the container and empty any remaining material. Thoroughly rinse the material container with warm, soapy water (or mineral spirits for oil-based materials).
2. Disassemble the spray gun and clean all parts with warm soapy water (or mineral spirits for oil-based materials).
3. Clean the air vent (a) on the suction tube with a soft bristled cleaning brush.
4. Separate the turbine from the nozzle. Clean the rear of the nozzle (b) with the appropriate cleaning solution. Use a thin layer of petroleum jelly to lubricate the O-ring (c).
5. Reassemble the spray gun.

	Make sure the tab in the spray gun head is aligned with one of the notches in the nozzle.
---	---



# MAINTENANCE

## CLEANING THE FILTER

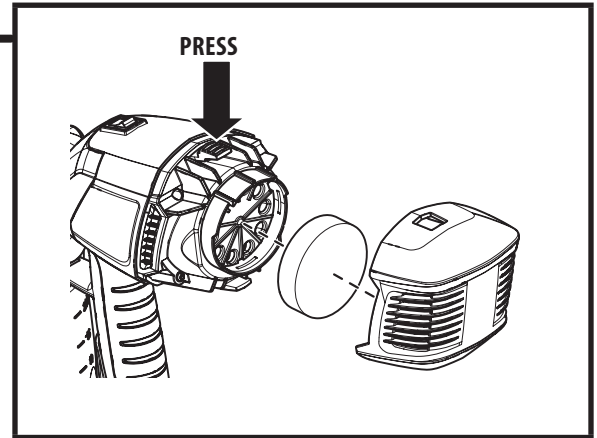
**IMPORTANT:**

Before every use, you should inspect the air filter in the turbine to see if it is excessively dirty. If it is dirty, follow these steps to replace it.

Never operate your unit without the air filters. Dirt could be sucked in and interfere with the function of the unit.

1. Press the tab at the rear of the turbine. Slide the rear housing off of the back of the turbine.
2. Remove the dirty filter from the turbine and replace with a new one. The smooth side of the air filter must be placed toward the turbine.

Secure the cover back onto the turbine.



## CLEANING THE AIR VALVE TUBE



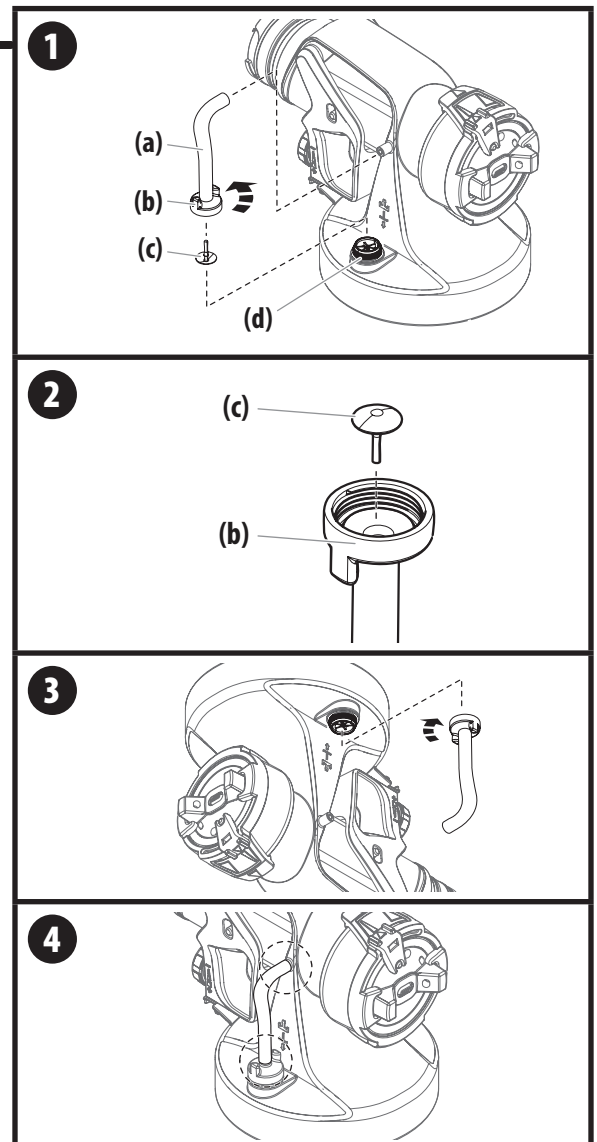
If spray material ever enters the air valve tube, follow the steps below.

1. Pull the air tube (a) at the top from the nozzle. Screw off the valve cover (b).  
Remove the valve seal (c). Clean all the parts carefully. Make sure to remove any material from valve seal housing area (d).

**IMPORTANT:**

The air tube and valve seal (c) are only solvent-resistant to a limited extent. Do not immerse in solvent, only wipe.




2. Place the valve seal (c) in the valve cover (b) with the pin facing into the tube. Installing the valve seal into the valve cover will be much easier if the valve cover is inverted.
3. Turn the nozzle upside down and screw on the valve cover (with valve seal inside) from underneath. Turning the nozzle upside down will prevent the valve seal from falling out of the valve cover during reinstallation.
4. Place the air tube on the valve cover and on the nipple at the nozzle.



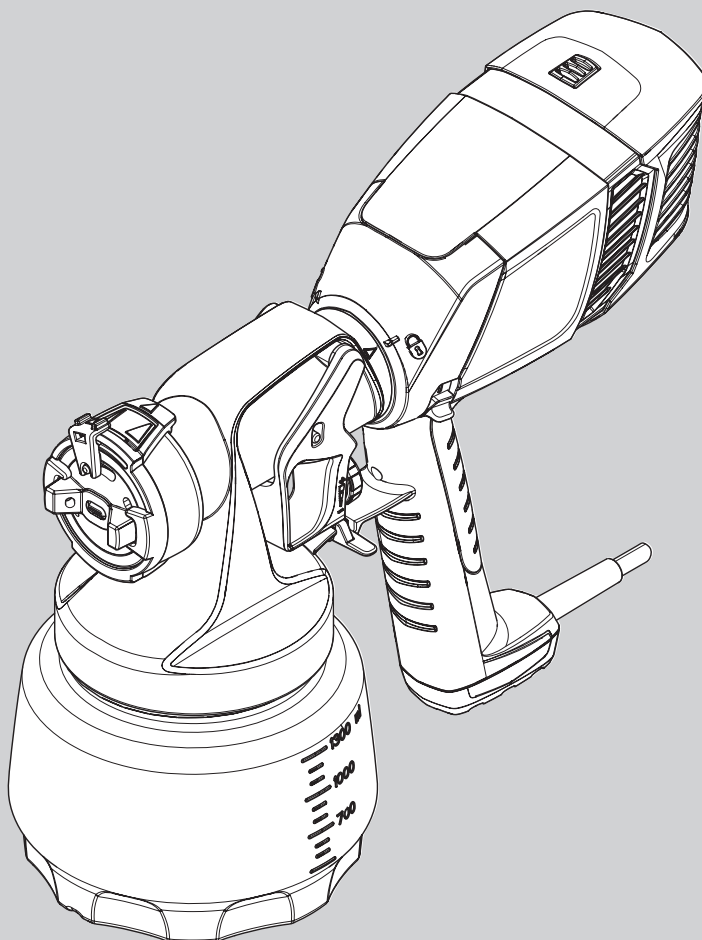


# TROUBLESHOOTING

PROBLEM	CAUSE	SOLUTION
Problem A: Little or no material flow	<ol style="list-style-type: none"> <li>1. Nozzle clogged.</li> <li>2. Suction tube clogged.</li> <li>3. Material flow setting too low.</li> <li>4. Suction tube loose.</li> <li>5. No pressure build up in container.</li> <li>6. Air filter clogged.</li> <li>7. Spray material too thick.</li> <li>8. Nozzle seal missing or worn.</li> </ol>	<ol style="list-style-type: none"> <li>1. Clean.</li> <li>2. Clean.</li> <li>3. Increase material flow setting.</li> <li>4. Remove and replace as tightly as possible.</li> <li>5. Tighten container. Check the air vent hole on the pick up tube - clean if clogged.</li> <li>6. Change</li> <li>7. Thin*.</li> <li>8. Replace nozzle.</li> </ol>
Problem B: Material leaking	<ol style="list-style-type: none"> <li>1. Nozzle loose.</li> <li>2. Nozzle worn.</li> <li>3. Nozzle seal missing or worn.</li> <li>4. Material build-up on air cap and nozzle</li> </ol>	<ol style="list-style-type: none"> <li>1. Tighten.</li> <li>2. Replace.</li> <li>3. Replace nozzle.</li> <li>4. Clean.</li> </ol>
Problem C: Spray pattern too thick, runs and sags	<ol style="list-style-type: none"> <li>1. Material flow setting too high.</li> <li>2. Applying too much material.</li> <li>3. Nozzle clogged.</li> <li>4. Air filter clogged.</li> <li>5. Too little pressure build-up in container.</li> <li>6. Spray material too thick.</li> </ol>	<ol style="list-style-type: none"> <li>1. Decrease material flow setting.</li> <li>2. Adjust material flow or increase movement of spray gun.</li> <li>3. Clean.</li> <li>4. Change.</li> <li>5. Tighten container.</li> <li>6. Thin*.</li> </ol>
Problem D: Spray jet pulsates	<ol style="list-style-type: none"> <li>1. Material in container running out.</li> <li>2. Air filter clogged.</li> </ol>	<ol style="list-style-type: none"> <li>1. Refill.</li> <li>2. Change.</li> </ol>
Problem E: Too much overspray	<ol style="list-style-type: none"> <li>1. Gun too far from spray object.</li> </ol>	<ol style="list-style-type: none"> <li>1. Reduce distance (3"-6" is ideal).</li> </ol>
Problem F: Pattern is very light and splotchy	<ol style="list-style-type: none"> <li>1. Moving the spray gun too fast.</li> <li>2. Material flow setting too low.</li> </ol>	<ol style="list-style-type: none"> <li>1. Adjust material flow or decrease movement of spray gun.</li> <li>2. Increase material flow setting.</li> </ol>

	*Only thin the material as a last resort to improve spray performance. Optimal spray performance should be achieved simply by adjusting the various controls on the unit.
	This unit contains no servicable electrical parts. Do not attempt to service yourself. Store indoors with the cord wrapped around the turbine handle.
	Have you tried the recommendations above and are still having problems? In the United States, to speak to a customer service representative, call our Technical Service at 1-800-328-8251. See <a href="http://www.wagnerspraytech.com">www.wagnerspraytech.com</a> in the "Contact Us" section for Technical Service hours.

**WAGNER**



# CONTROL STAINER™ 350

## MANUEL DE L'UTILISATEUR

LIRE CE MANUEL POUR OBTENIR DES DIRECTIVES COMPLÈTES

F

wagner-group.com

Visionnez un manuel vidéo à l'adresse [www.wagnerspraytech.com/controlstainer350](http://www.wagnerspraytech.com/controlstainer350)

UNCONTROLLED COPY

# IMPORTANTES CONSIGNES DE SÉCURITÉ






## TABLE DE MATIÈRES

CONSIGNES DE SÉCURITÉ IMPORTANTES.....	14-15
COMMANDES ET FONCTIONS.....	16-17
MONTAGE.....	18-19
COMMANDE DU PULVÉRISATEUR.....	20
PULVÉRISATION.....	21
NETTOYAGE.....	22
ENTRETIEN.....	23
DÉPANNAGE.....	24
LISTE DE PIÈCES.....	37-38
GARANTIE LIMITÉE.....	39

## EXPLICATION DES SYMBOLES UTILISÉS


Lire toutes ces consignes avant d'utiliser l'appareil. Garder ces consignes.

Pour réduire les risques d'incendie ou d'explosion, de choc électrique et de blessure, vous devez lire et comprendre les directives figurant dans ce manuel. Familiarisez-vous avec les commandes et l'utilisation adéquate de l'équipement.

	Indique une situation à risque, laquelle, si elle n'est pas évitée, peut entraîner des blessures graves, voire la mort.
<b>IMPORTANT:</b>	Ce symbole indique un risque potentiel pour vous ou pour l'appareil. D'importantes informations sur la manière d'éviter tout dommage de l'équipement ou d'éviter des blessures légères sont indiquées ci-après.
	Risque de blessures provenant de chocs électriques
	Risque d'incendie
	Risque d'explosion
	Les notes contiennent des informations qui doivent être consciencieusement respectées.

## DIRECTIVES SUR LA MISE À LA TERRE

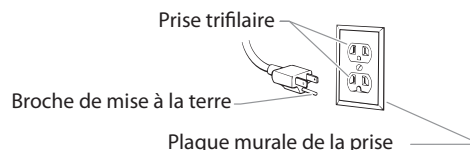
Ce dispositif doit être mis à la terre. En cas de court-circuit, ce procédé permet de réduire le risque d'un choc électrique en fournissant un parcours d'évacuation pour le courant. Ce produit est équipé d'un cordon comportant un fil de mise à la terre, et muni d'une fiche appropriée. Cette fiche doit être connectée dans une prise adéquatement installée et mise à la terre selon les codes et règlements en vigueur.

	<b>MISE EN GARDE!</b> Une installation inadéquate de la fiche de mise à la terre risque de provoquer un choc électrique.
---	--

S'il est nécessaire de réparer ou de remplacer le cordon ou la fiche, ne pas connecter le fil de mise à la terre vert à aucune des bornes à broches plates. Le fil comportant un isolant de couleur verte, avec ou sans lignes jaunes, est le fil de mise à la terre devant être connecté à la broche de mise à la terre.

Il est recommandé de consulter un électricien qualifié ou un technicien si les directives sur la mise à la terre ne sont pas entièrement comprises, ou si l'on n'est pas sûr que le produit soit correctement mis à la terre. Ne pas modifier la fiche. Si la fiche ne peut être insérée dans la prise, demander à un électricien qualifié d'installer la prise appropriée.

Ce produit doit être utilisé sur un circuit d'une tension nominale de 120 volts et comporte une fiche de mise à la terre semblable à celle illustrée ci-dessous. Veuillez-vous assurer que le produit est connecté à une prise électrique ayant la même configuration que la fiche mâle. Ne pas utiliser d'adaptateur avec ce produit.




## INFORMATIONS IMPORTANTES SUR LE SYSTÈME ÉLECTRIQUE

Utilisez seulement une rallonge électrique trifilaire pourvue d'une prise avec mise à la terre (trois tiges) et d'une connexion femelle à trois trous convenant au cordon de l'appareil. Assurez-vous que la rallonge électrique est en bon état. Lorsque vous utilisez une rallonge électrique, assurez-vous qu'elle a un calibre assez élevé pour transmettre le courant nécessaire au fonctionnement de l'appareil. L'utilisation d'une rallonge de calibre trop faible entraîne une chute de tension sectorielle se traduisant par une perte de courant et une surchauffe de l'appareil. On recommande des fils de calibre 14 ou 12. Si vous devez utiliser une rallonge à l'extérieur, la mention W-A doit y figurer suivant la désignation du type de rallonge. Par exemple, SJTW-A représente une rallonge appropriée pour une utilisation à l'extérieur.

<b>IMPORTANT :</b>	Ce produit est conçu pour un usage résidentiel. Peut être utilisé à l'intérieur ou à l'extérieur. Ne pas utiliser de matériaux ayant un point d'inflammabilité de moins de 100°F (38°C).
--------------------	--


# IMPORTANTES CONSIGNES DE SÉCURITÉ

## RISQUES D'ACCIDENTS

	<b>RISQUE D'EXPLOSION OU D'INCENDIE</b> Les vapeurs inflammables, comme les vapeurs de solvant et de peinture, dans un espace de travail peuvent s'enflammer ou exploser.
---	--


### PRÉVENTION :

- Ne pulvérisez pas de matières inflammables ou combustibles près d'une flamme nue, de voyants lumineux ou de sources d'ignition telles que des objets chauds, cigarettes, moteurs, matériel et appareils électriques. Évitez de produire des étincelles en connectant et en déconnectant les cordons électriques.
- Pour un usage exclusif avec des produits à l'eau ou des produits minéraux de type alcool avec un point d'éclair minimum de 38 °C (100 °F) – Ne pulvérisez pas et ne les nettoyez pas avec des liquides ayant un point d'éclair inférieur à 38 °C (100 °F). Le point d'éclair est la température à laquelle un fluide peut produire suffisamment de vapeur pour s'enflammer.
- Vérifiez que tous les conteneurs ou systèmes de stockage sont reliés à la terre pour éviter les décharges d'électricité statique.
- Connectez à une prise électrique avec prise de terre et utilisez des rallonges électriques reliées à la terre. N'utilisez pas d'adaptateur 3 à 2.
- La zone de pulvérisation doit toujours être bien aérée. Une bonne quantité d'air frais doit constamment traverser la zone de pulvérisation pour éviter les accumulations de vapeurs inflammables.
- Ne fumez pas dans la zone de pulvérisation.
- N'actionnez pas d'interrupteurs électriques, de moteurs ou autres dispositifs produisant des étincelles dans la zone de pulvérisation.
- Maintenez la propreté de la zone et veillez à ce qu'elle ne contienne pas de conteneurs de peinture ou de solvant, de chiffons et autres matières inflammables.
- Sachez ce que contiennent la peinture et les solvants pulvérisés. Lisez les fiches de sécurité du matériel (SDS) et les étiquettes apposées sur les conteneurs de peintures et de solvants. Respectez les consignes de sécurité du fabricant de peinture et de solvant.
- Ayez un extincteur en bon état de fonctionnement à portée de main.

	<b>RISQUE DE CHOC ÉLECTRIQUE</b> Ce produit peut causer des blessures en raison du choc électrique.
---	--

### PRÉVENTION :

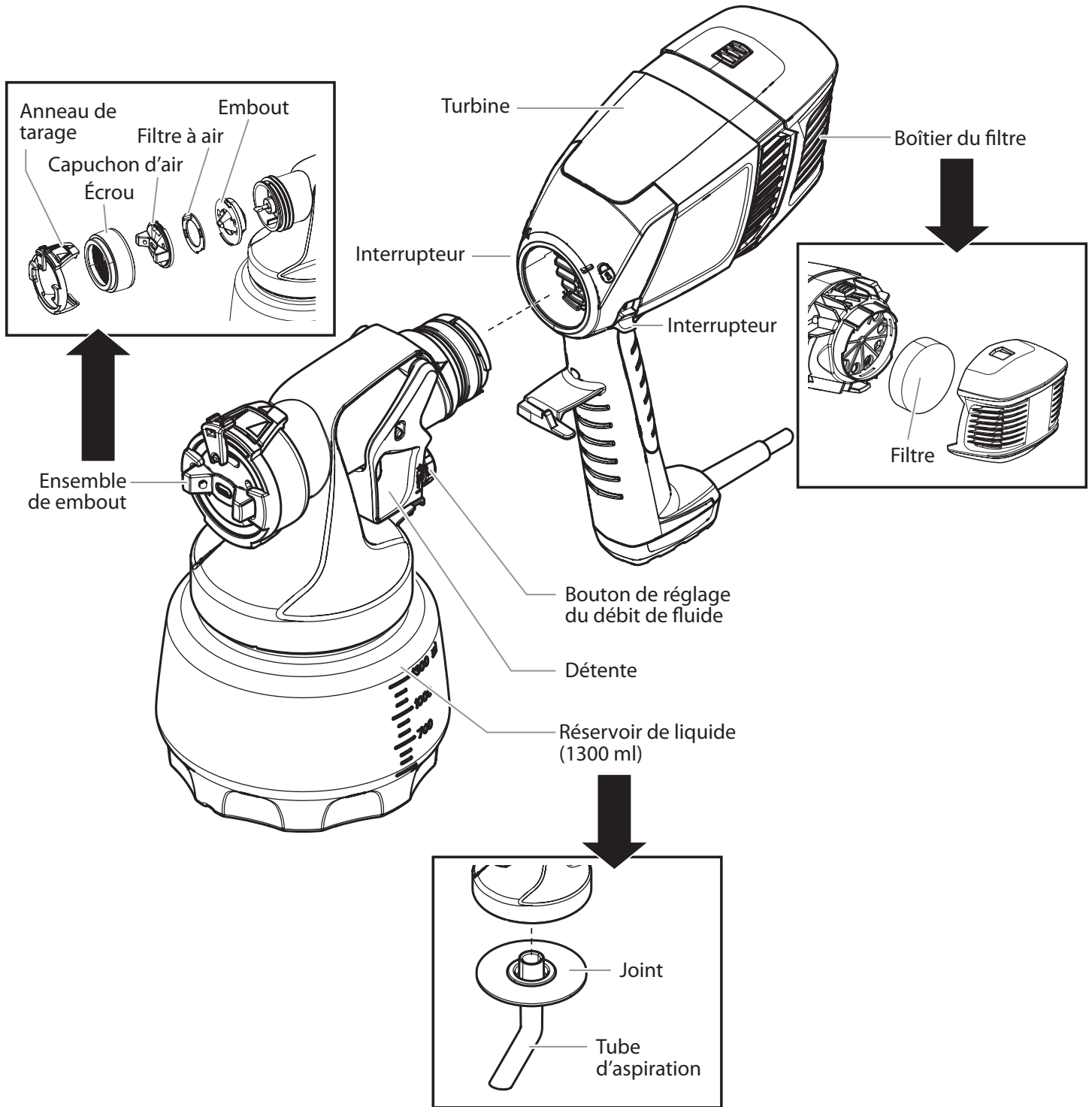
- Le cordon d'alimentation doit être branché à un circuit doté d'une mise à la terre.
- N'immergez jamais les composants électriques.
- Ne laissez jamais l'appareil sous la pluie. Entreposez-le à l'intérieur.
- Garder la fiche du cordon électrique et la détente de l'appareil libres de toute produits ou de tout autre liquide. Ne jamais exercer de contrainte sur le raccordement de la fiche. Le défaut de suivre toutes les directives énoncées peut provoquer un choc électrique.

	<b>RISQUE GÉNÉRAL</b> Ce produit peut causer des blessures graves ou des dommages matériels.
---	---

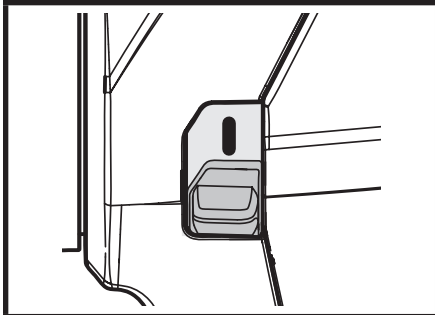
### PRÉVENTION :

- Portez toujours les gants, la protection oculaire, les vêtements et un respirateur ou masque appropriés quand vous peignez. Vapeurs dangereuses – Les peintures, solvants, insecticides et autres matières peuvent être dangereux s'ils sont inhalés ou entrent en contact avec le corps. Les vapeurs peuvent provoquer d'importantes nausées, une perte de connaissance ou un empoisonnement.
- Ne travaillez pas et ne pulvérisez pas près d'enfants. Éloignez toujours les enfants de l'équipement.
- Ne travaillez pas avec les bras au-dessus de la tête ni sur un support instable. Appuyez-vous bien sur les deux pieds pour toujours conserver l'équilibre.
- Soyez attentif et regardez ce que vous faites.
- N'utilisez pas l'appareil quand vous êtes fatigué ou sous l'influence de drogues ou d'alcool.
- Ne pas pointer le pistolet vers une partie du corps.
- Observer tous les codes locaux, provinciaux, d'état et nationaux régissant la ventilation, la prévention des incendies et le fonctionnement de l'appareil.
- Aux États-Unis, le gouvernement a adopté des normes de sécurité en vertu de l'Occupational Safety and Health Act (OSHA). Le cas échéant, on doit les consulter, notamment les parties 1910 des normes générales et 1926 des normes de construction.
- N'utiliser que les pièces autorisées par le fabricant; les utilisateurs qui choisiront d'utiliser des composants dont les caractéristiques techniques et les exigences en matière de sécurité sont inférieures devront en assumer tous les risques et responsabilités.
- Le cordon d'alimentation doit être branché à un circuit trifilaire.
- Ne pas pulvériser à l'extérieur par grands vents.

# COMMANDES ET FONCTIONS



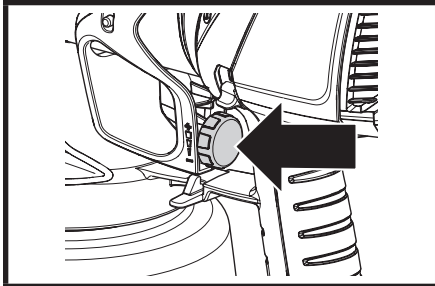
# COMMANDES ET FONCTIONS



## INTERRUPTEUR

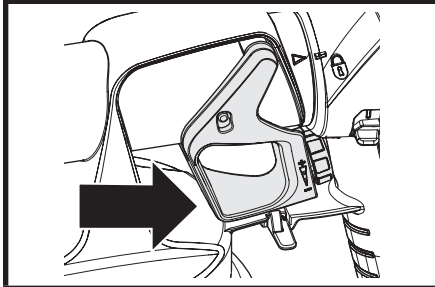
L'interrupteur met la turbine EN MARCHÉ (I) et l'ARRÊTE (O).

Aucun produit à pulvériser ne s'écoulera avant que la détente soit appuyée.



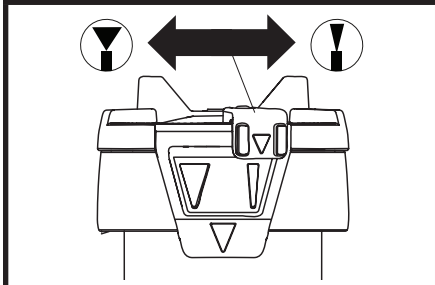
## RÉGLAGE DU DÉBIT DE FLUIDE CONTRÔLE

Le réglage du débit de fluide contrôle la quantité de produit pulvérisé par le pulvérisateur.



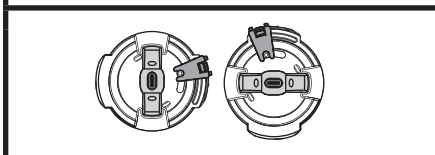
## DÉTENTE

Lorsque vous appuyez sur la détente, le produit à pulvériser est acheminé du récipient de produit à l'ensemble d'embout, où il est pulvérisé.



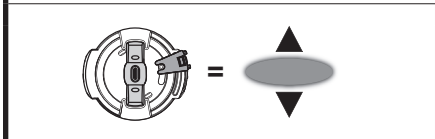
## LEVIER DE TARAGE DE LARGEUR

Le levier de tarage de largeur détermine la largeur de la répartition de pulvérisation.

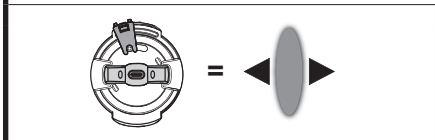


## ANNEAU DE TARAGE

La configuration du jet peut être réglée en tournant l'anneau de tarage à la position verticale ou horizontale



Configuration horizontale (Utilisez un mouvement « de haut en bas »)



Configuration verticale (Utilisez un mouvement « de droite à gauche »)

## MONTAGE



Pour visionner une vidéo montrant comment configurer le Control Stainer, consultez la page :

[www.wagnerspraytech.com/controlstainer350](http://www.wagnerspraytech.com/controlstainer350)

## PRÉPARATION DU PRODUIT



Il peut être nécessaire de filtrer la peinture à pulvériser afin d'enlever toute impureté qui peut pénétrer dans l'appareil et obstruer le système. La présence d'impuretés dans la peinture risque d'amoindrir la performance du produit et de résulter en un fini de piètre qualité.

## PRODUITS À PULVÉRISER

- Peintures d'impression
- Teintures semi-transparentes
- Teintures solide
- Vernis-laque
- Uréthanes
- Peintures décoratives (la dilution peut être nécessaire)
- Peintures au latex et à l'huile (la dilution peut être nécessaire)

## \*DILUER LE PRODUIT

Il peut s'avérer nécessaire de diluer le produit utilisé à l'aide du dissolvant recommandé par le fabricant, avant de l'appliquer. Lorsque vous diluez un produit, ne dépassez jamais la limite recommandée par le fabricant du produit.

S'il est nécessaire de diluer la peinture, utilisez le solvant approprié précisé par le fabricant de peinture. Lorsque vous diluez un produit, ne dépassez jamais la limite recommandée par le fabricant du produit.



Ne diluez la peinture que si c'est absolument nécessaire pour améliorer le rendement. Vous devriez être en mesure d'obtenir un rendement optimal en réglant les diverses commandes de l'appareil.



Ne pas diluer la peinture avec des produits ayant un point d'éclair sous 100 °F (38 °C).



# MONTAGE



Pour visionner une vidéo montrant comment configurer le Control Stainer, consultez la page :

[www.wagnerspraytech.com/controlstainer350](http://www.wagnerspraytech.com/controlstainer350)

## ASSEMBLAGE



Ne pointez jamais le pistolet pulvérisateur vers l'une ou l'autre des parties de votre corps.

Assurez-vous que le cordon d'alimentation est débranché.

1. Bien agiter le produit de revêtement.
2. Remplissez le récipient. Utilisez une passoire pour enlever les particules.  
(voir **Duquer le produit**, à la page précédente, si la dilution est nécessaire).
3. Alignement du tube d'aspiration -
  - A Si vous pulvérisez vers le bas, l'extrémité en biais du tube d'aspiration devrait être pointée vers l'avant de l'embout.
  - B Si vous pulvérisez vers le haut, l'extrémité en biais du tube d'aspiration devrait être pointée vers l'arrière de l'embout.



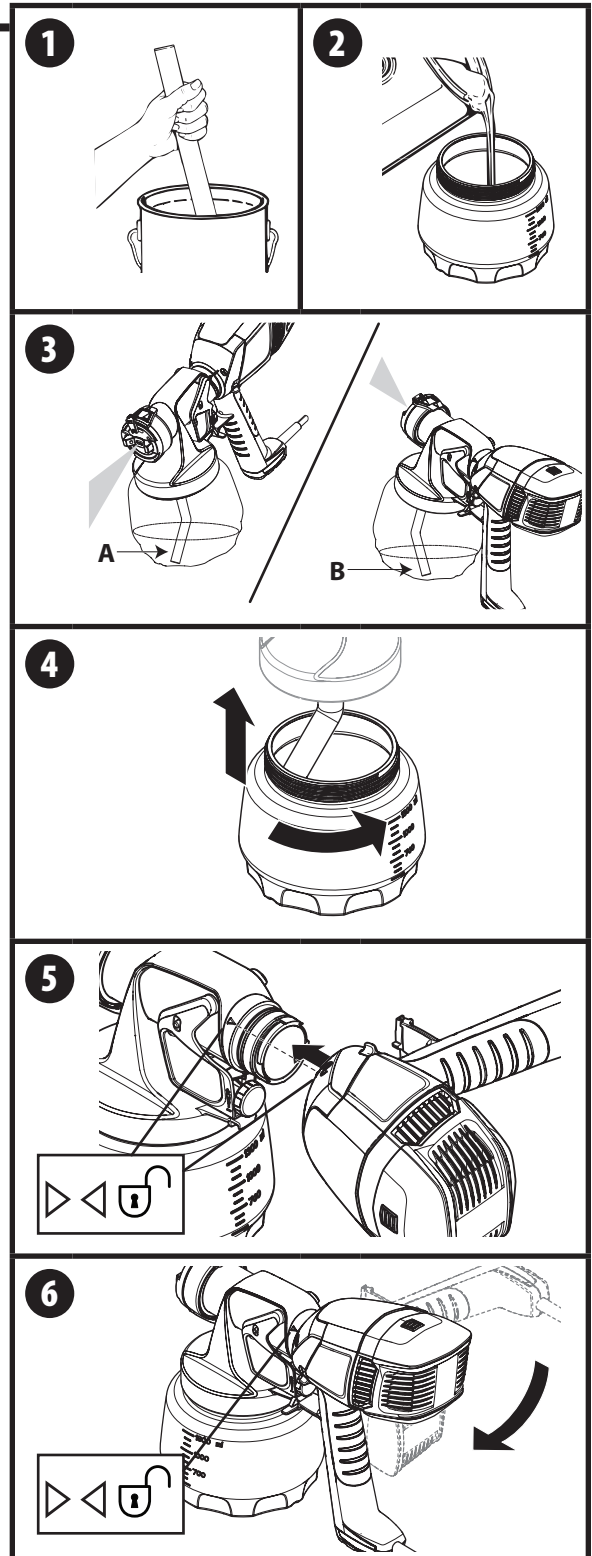
Assurez-vous que le tube d'aspiration est inséré le plus possible afin de garantir un ajustement serré.

4. Dévisser le réservoir du pistolet pulvérisateur..
5. Alignez la flèche du buse à peinture au symbole « déverrouillage » sur la poignée.
6. Placez le buse à peinture sur la poignée et faites-le tourner vers le symbole « verrouillage » de la poignée.  
La plaquette sous la gâchette fixera les deux éléments en place.

### IMPORTANT :

Si l'appareil a déjà été utilisé, s'assurer que le joint d'étanchéité rouge de la buse est en place (voir la page 22).

N'appuyez pas sur la détente si la turbine ne fonctionne pas. La peinture s'écoulera de l'embout.



# COMMANDE DU PULVÉRISATEUR



Pour une vidéo présentant des conseils de pulvérisation et des pratiques exemplaires du Control Stainer 350, consultez le site :

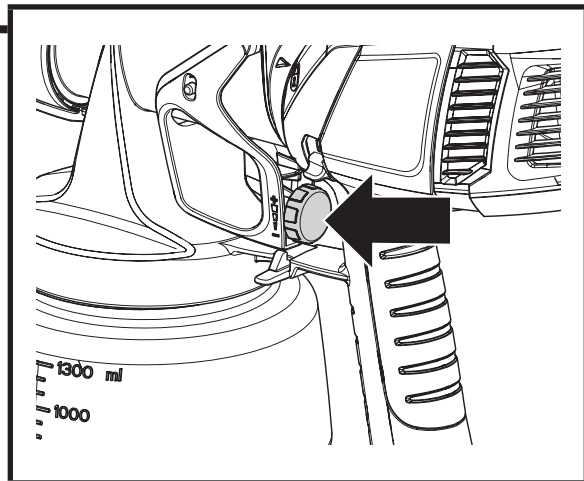
[www.wagnerspraytech.com/controlstainer350](http://www.wagnerspraytech.com/controlstainer350)

## RÉGLAGE DU DÉBIT DE FLUIDE CONTRÔLE



La commande de réglage du débit sera réglée au paramètre le plus bas à l'usine. Réglez-le, au besoin.

- Tournez le bouton vers l'extérieur (dans le sens contraire des aiguilles d'une montre) pour réduire le débit. Généralement, un faible débit de produit est requis pour la pulvérisation de surfaces plus petites, comme les coins, les treillis ou les montants.
- Tournez le bouton vers l'intérieur (dans le sens des aiguilles d'une montre) pour augmenter le débit. Généralement, un débit de produit élevé est requis pour la pulvérisation de plus grandes surfaces, comme les clôtures et les terrasses.



## RÉGLAGE DE LA FORME DE PULVÉRISATION



Réglez la répartition de pulvérisation en tournant les l'anneau de tarage. La position l'anneau de tarage déterminera la direction du mouvement du pistolet de pulvérisation.

Le levier de tarage de largeur détermine la largeur de la répartition de pulvérisation.

LEVIER DE  
TARAGE DE  
LARGEUR



ANNEAU DE  
TARAGE

### 1. Répartition verticale :

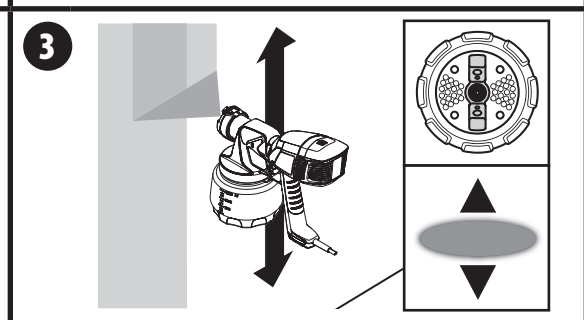
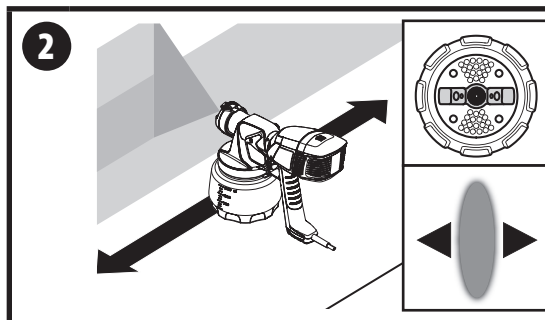
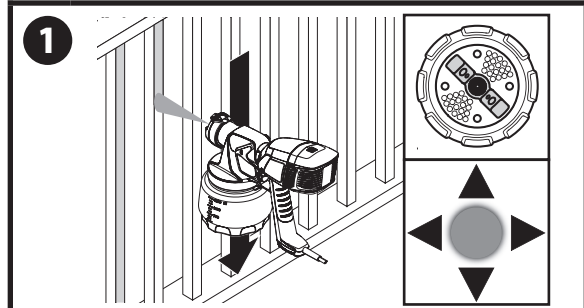
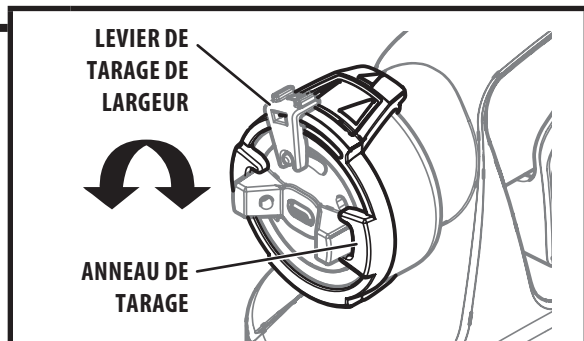
Utilisez un mouvement latéral pendant la pulvérisation.

### 2. Répartition horizontale :

Utilisez un mouvement vertical pendant la pulvérisation.

### 3. Répartition étroite (régler le levier de largeur de pulvérisation à l'étroit) :

Utilisez un mouvement vertical ou latéral selon l'objet à pulvériser.



# PULVÉRISATION



Pour une vidéo présentant des conseils de pulvérisation et des pratiques exemplaires du Control Stainer 350, consultez le site :

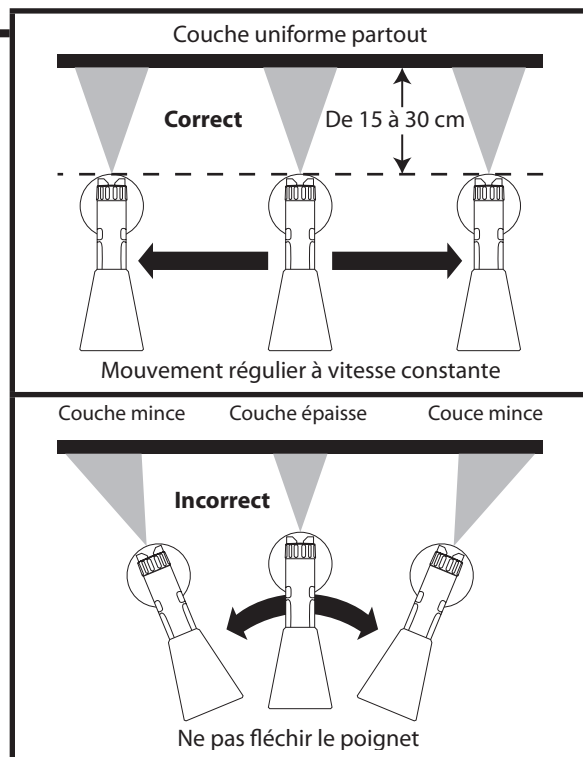
[www.wagnerspraytech.com/controlstainer350](http://www.wagnerspraytech.com/controlstainer350)

## COMMENT PULVÉRISER CORRECTEMENT

- Mettez l'interrupteur en MARCHE (I) pour activer la turbine. Le produit ne sera pas pulvérisé avant l'activation de la détente.
- Positionnez le pistolet de pulvérisation perpendiculairement à la surface à pulvériser.
- Pulvérisez parallèlement à la surface avec des mouvements droits et complets à une vitesse régulière comme illustré à droite.
- Toujours appliquer une couche mince de produit lors du premier mouvement et laisser sécher avant d'appliquer une seconde couche légèrement plus épaisse.
- Pendant la pulvérisation, appuyez toujours sur la détente après le début du mouvement et relâchez la détente avant la fin du mouvement. Gardez toujours le pistolet orienté directement vers la surface à pulvériser et assurez-vous que les mouvements se chevauchent légèrement pour obtenir la finition la plus uniforme et professionnelle possible.



Essayez fréquemment l'embout à l'aide d'un chiffon humide pendant la pulvérisation pour enlever le produit séché.



## PRATIQUEZ VOTRE TECHNIQUE

Pratiquez votre technique (utilisez l'affiche fournie).

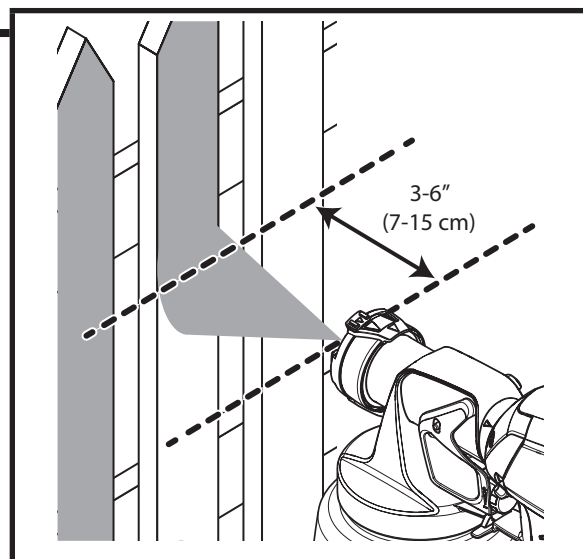
- **Approchez-vous.** Le pistolet de pulvérisation devrait être de 7,5 à 15 cm de l'objet à pulvériser.
- **Mouvements complets.** Pulvériser le produit à l'aide de mouvements droits et complets, plutôt que des mouvements courts.
- **Couches légères.** Pour une meilleure finition, appliquez une couche légère pendant le premier mouvement et couvrez complètement lors du deuxième mouvement.



N'appuyez PAS sur la détente lorsque la turbine est arrêtée. Le produit à pulvériser s'écoulera de l'embout.






Si après avoir suivi les conseils sur ces deux pages, vous n'obtenez toujours pas le rendement dont vous avez besoin, rendez-vous à la section « Dépannage » à la page 24.



# NETTOYAGE

	<p>Pour visionner une vidéo montrant comment nettoyer le Control Stainer150, consultez le site :</p> <p><b><a href="http://www.wagnerspraytech.com/controlstainer350">www.wagnerspraytech.com/controlstainer350</a></b></p>
---	---

## REMARQUES DE NETTOYAGE

	<p>Pour le nettoyage, utilisez la solution de nettoyage appropriée (eau chaude, savonneuse pour les peintures aux latex; essences minérales pour les peintures à l'huile)</p>
	<p>Directives spéciales pour le nettoyage au moyen de solvants inflammables : LE POINT D'INFLAMABILITÉ DES MATÉRIAUX DOIT ÊTRE AU MOINS 38°C (100°F).</p> <ul style="list-style-type: none"> <li>• Toujours vidanger le pistolet de préférence dehors.</li> <li>• L'aire de nettoyage doit être exempte d'émanations.</li> <li>• L'aire de nettoyage doit bien-être aéré.</li> <li>• Na pas immerger le turbine!</li> </ul>
	<p>Pour un nettoyage rapide de base entre les changements de couleur, remplissez le récipient de peinture de solution de nettoyage et pulvérisez la solution dans un récipient à déchets.</p>

### 1. ARRÊTEZ la turbine.

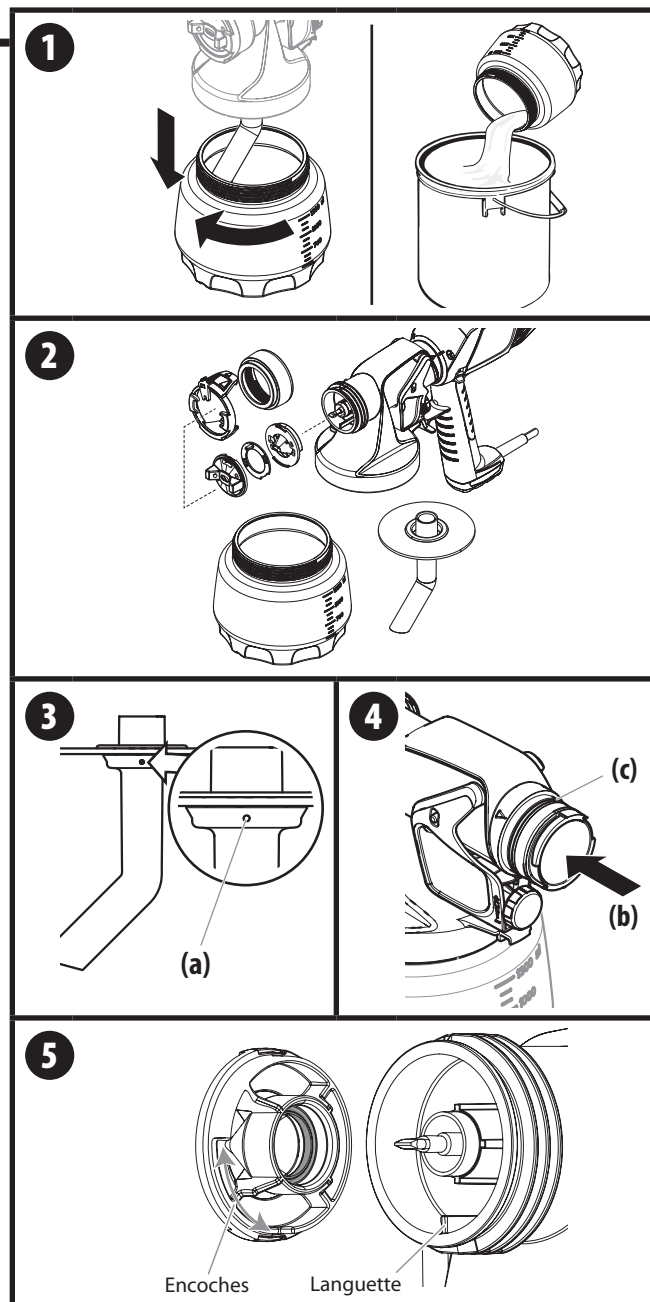
Enlevez le récipient et videz le produit restant. Rincez abondamment le récipient de produit avec de l'eau chaude savonneuse (ou de l'essence minérale pour les produits à l'huile).


### 2. Démontez le pistolet de pulvérisation et nettoyez toutes les pièces avec de l'eau chaude savonneuse (ou de l'essence minérale pour les produits à l'huile).

### 3. Nettoyer l'ouverture d'aération (a) sur le tube d'aspiration avec le brosse de nettoyage.

### 4. Séparez le buse de la turbine en les faisant pivoter. Nettoyez l'extrémité arrière le buse à peinture (b) avec la solution de nettoyage appropriée. Lubrifiez le joint torique (c) en appliquant une fine couche de gelée de pétrole.

### 5. Remontez le pistolet à peinture.



	<p>Assurez-vous que l'onglet de la tête du pistolet de pulvérisation est aligné à une des encoches de l'embout.</p>
---	---

# ENTRETIEN

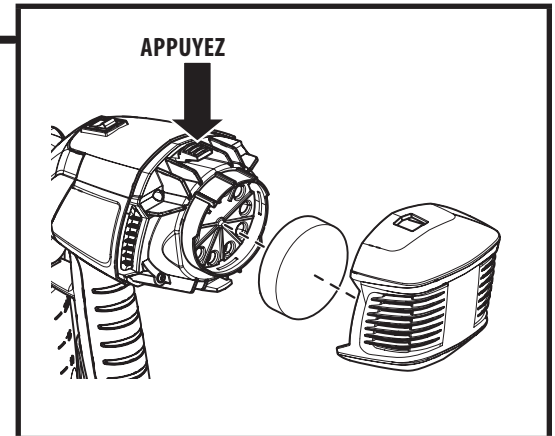
## NETTOYAGE DU FILTRE

### IMPORTANT :

Vous devriez inspecter les filtre à air qui est situé dans la turbine pour vérifier s'il est excessivement encrassé. S'il est encrassé, veuillez suivre les étapes ci-dessous pour le remplacer.

Ne jamais faire fonctionner votre appareil sans le filtre à air. Des impuretés pourraient être aspirées et causer des inter-férences dans le fonctionnement de l'appareil.

1. Appuyez sur l'onglet à l'arrière de la turbine. Retirez le boîtier arrière en le glissant de la turbine.
2. Enlevez le filtre souillés de la turbine et remplacez-les par de nouveaux. Le côté lisse du filtre à air doit être placé vers la turbine. Remettez le couvercle sur la turbine..



## NETTOYAGE DE TUBE D'AIR



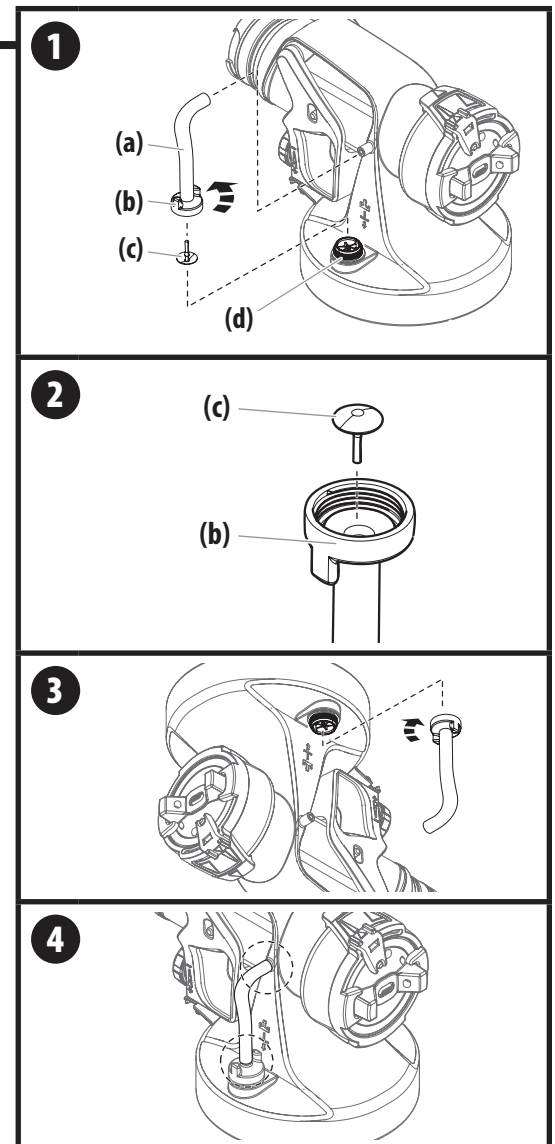
Si de la peinture s'est introduite dans le tube d'air, suivre les étapes suivantes.

1. Tirer le tube d'air (a) sur le dessus le buse. Dévisser le couvercle de soupape (b).  
Retirer le joint de soupape (c). Nettoyer soigneusement toutes les pièces. Assurez-vous de nettoyer tout produit de surface logements joint de soupape (d).

### IMPORTANT:




Le tube d'air et le joint de soupape (c) résistent aux solvants dans une mesure limitée uniquement. Ne pas les immerger dans du solvant, les essuyer uniquement.

2. Placer le joint de soupape (c) dans le couvercle de soupape (b) avec le goujon face au tube. Installer le joint de soupape dans le couvercle de soupape sera beaucoup plus facile si ce dernier est inversé.
3. Retourner le buse et visser le couvercle de soupape (avec le joint de soupape à l'intérieur) du dessous. Retourner le buse avant empêchera le joint de soupape de tomber du couvercle de soupape pendant le remontage.
4. Placer le tube d'air sur le couvercle de soupape et sur le raccord de le buse.



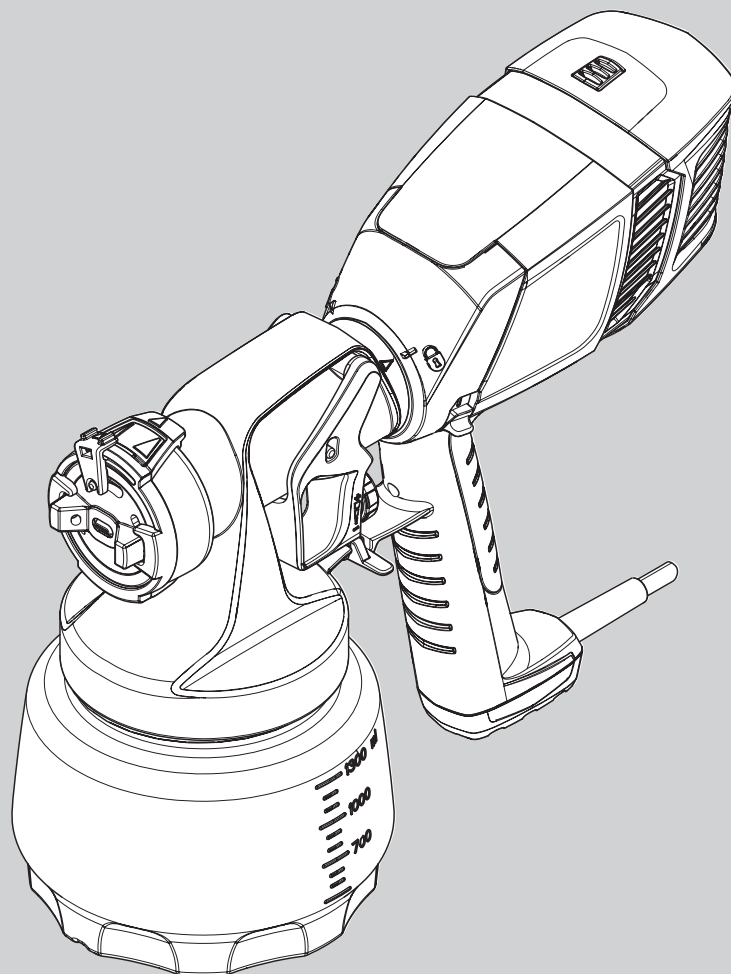
# HEADING

PROBLEME	CAUSE	SOLUTION
Probleme A : Débit de produit faible ou inexistant	<ol style="list-style-type: none"> <li>1. Buse est encrassé.</li> <li>2. Tube d'aspiration est encrassé.</li> <li>3. Débit de fluide plaçant si bas.</li> <li>4. Tube d'aspiration est desserré.</li> <li>5. Il n'y a pas de pression d'air dans le réservoir.</li> <li>6. Filtres d'air encrasse</li> <li>7. Fluide trop épais.</li> <li>8. Le joint d'étanchéité de la buse est usé ou n'a pas été installée.</li> </ol>	<ol style="list-style-type: none"> <li>1. La nettoyer.</li> <li>2. Le nettoyer.</li> <li>3. Augmenter l'arrangement débit de fluide.</li> <li>4. Le remplacer fermement.</li> <li>5. Bien visser le réservoir.</li> <li>6. Nettoyer ou remplacer.</li> <li>7. Le diluer*.</li> <li>8. Le remplacer de la buse.</li> </ol>
Probleme B : Fuite du produit	<ol style="list-style-type: none"> <li>1. Buse deserré.</li> <li>2. Buse usée.</li> <li>3. Le joint d'étanchéité de la buse est usé ou n'a pas été installée.</li> <li>4. Formation de dépôts de produit sur le chapeau d'air et la buse.</li> </ol>	<ol style="list-style-type: none"> <li>1. La serrer.</li> <li>2. Le remplacer.</li> <li>3. Le remplacer de la buse.</li> <li>4. La nettoyer.</li> </ol>
Problème C : La répartition de pulvérisation est trop épaisse et coule	<ol style="list-style-type: none"> <li>1. Débit de fluide plaçant trop haut.</li> <li>2. L'application du produit est trop abondante.</li> <li>3. Buse est encrassé.</li> <li>4. Filtre à air est encrassé.</li> <li>5. L'établissement de pression dans le réservoir est trop faible.</li> <li>6. Fluide trop épais.</li> </ol>	<ol style="list-style-type: none"> <li>1. Diminuer l'arrangement débit de fluide.</li> <li>2. Réglez le débit de fluide (-) ou encore augmentez le mouvement du pistolet pulvérisateur.</li> <li>3. La nettoyer.</li> <li>4. Le remplacer.</li> <li>5. Bien visser le réservoir.</li> <li>6. Le diluer*.</li> </ol>
Probleme D : Pulsation du jet	<ol style="list-style-type: none"> <li>1. Épuisement du produit dans le réservoir.</li> <li>2. Filtre à air est encrassé.</li> </ol>	<ol style="list-style-type: none"> <li>1. Remplir le réservoir à nouveau.</li> <li>2. Le remplacer.</li> </ol>
Probleme E : Surpulvérisation excessive	<ol style="list-style-type: none"> <li>1. Le pistolet pulvérisateur est trop éloigné de la surface.</li> </ol>	<ol style="list-style-type: none"> <li>1. Réduire la distance (de 7 à 15 cm est optimale).</li> </ol>
Probleme F : La configuration du jet est trop fine et fait des taches	<ol style="list-style-type: none"> <li>1. Le déplacement du pistolet a lieu trop rapidement.</li> <li>2. Débit de fluide plaçant si bas.</li> </ol>	<ol style="list-style-type: none"> <li>1. Réglez le débit du liquide ou encore, augmentez le mouvement du pistolet pulvérisateur.</li> <li>2. Augmenter l'arrangement débit de fluide.</li> </ol>

	*Ne diluez la peinture qu'en dernier recours pour améliorer le rendement. Vous devriez être en mesure d'obtenir un rendement optimal en réglant les diverses commandes de l'appareil.
	Cet appareil n'a aucune pièce électrique utilisable. Ne tentez pas d'effectuer vous-même l'entretien. Rangez à l'intérieur d'un bâtiment avec le cordon d'alimentation enroulé autour de la poignée de turbine.
	Avez-vous essayé les recommandations indiquées ci-dessus sans succès? Pour communiquer avec un représentant du service à la clientèle aux États-Unis, veuillez composer le 1-800-328-825. Consultez le site <a href="http://www.wagnerspraytech.com">www.wagnerspraytech.com</a> afin de connaître les heures des services techniques dans la section « Contact Us » (Communiquez avec nous).



**WAGNER**



# CONTROL STAINER™ 350

## MANUAL DE USUARIO

LEA ESTE MANUAL PARA OBTENER LAS INSTRUCCIONES COMPLETAS

ES

wagner-group.com

Vea un manual en video en [www.wagnerspraytech.com/controlstainer350](http://www.wagnerspraytech.com/controlstainer350)

UNCONTROLLED COPY



# INFORMACIÓN IMPORTANTE SOBRE SEGURIDAD






## CONTENIDO

INFORMACIÓN IMPORTANTE SOBRE SEGURIDAD.....	36-27
CONTROLES Y FUNCIONES .....	28-29
PREPARACIÓN .....	30-31
CONTROLES DEL PULVERIZADOR.....	32
ROCIADO .....	33
LIMPIEZA.....	34
MANTENIMIENTO.....	35
SOLUCIÓN DE PROBLEMAS .....	36
LISTA DE PIEZAS .....	37-38
GARANTÍA LIMITADA.....	39

## EXPLICACIÓN DE LOS SÍMBOLOS UTILIZADOS

Lea toda la información de seguridad antes de operar el equipo. Guarde estas instrucciones.


Para reducir los riesgos de incendios, explosiones, descargas eléctricas o lesiones a las personas, lea y entienda todas las instrucciones incluidas en este manual. Familiarícese con los controles y el uso adecuado del equipo.

	Este símbolo indica un peligro potencial que puede provocar lesiones graves e incluso la muerte. A continuación se incluye información importante de seguridad.
<b>IMPORTANTE:</b>	Este símbolo indica un peligro potencial para usted o para el equipo. A continuación se incluye información importante para evitar daños al equipo o evitar situaciones que podrían provocar lesiones de segundo orden.
	Peligro de lesiones por descarga eléctrica
	Peligro de incendio
	Peligro de explosión
	Las notas añaden información importante a la que debe prestarse especial atención.

## INSTRUCCIONES PARA LA CONEXIÓN A TIERRA

Este producto debe conectarse a tierra. En caso de un cortocircuito eléctrico, la conexión a tierra reduce el riesgo de choque eléctrico al aportar un alambre de escape para la corriente eléctrica. Este producto está equipado con un cable que tiene alambre a tierra con un enchufe a tierra adecuado. Debe usarse el enchufe para conectar a un receptáculo que esté

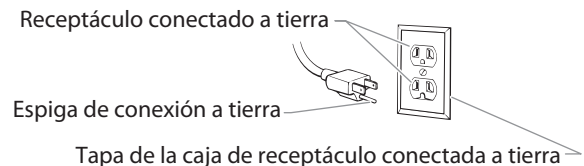
debidamente instalado y conectado a tierra en conformidad con los códigos y las ordenanzas locales.

	<b>ADVERTENCIA</b> - La instalación incorrecta del enchufe a tierra puede ocasionar un riesgo de choque eléctrico.
---	--

Si es necesario reparar o cambiar el cable o el enchufe, no conecte el cable verde a ninguna de las dos puntas planas. El cable con aislamiento de color verde por fuera con o sin rayas amarillas es el alambre de conexión a tierra y debe conectarse a la espiga de conexión a tierra.

Consulte a un electricista o técnico de servicio capacitado si las instrucciones para la conexión a tierra no se entienden claramente o si tiene dudas en cuanto a que el producto esté debidamente conectado a tierra. No modifique el enchufe que se incluye. Si el enchufe no encaja en el receptáculo, pida a un electricista capacitado que instale un receptáculo adecuado.

Este producto es para utilizarse en un circuito de 120 voltios nominales y tiene un enchufe a tierra que tiene un aspecto similar al ilustrado más abajo. Asegúrese que el producto esté conectado a un tomacorriente que tenga la misma configuración que el enchufe. No deben utilizarse adaptadores para este producto.




## INFORMACIÓN ELÉCTRICA IMPORTANTE

Use solamente un cable de extensión de 3 conductores que tenga un enchufe a tierra de 3 patas y un receptáculo de 3 ranuras que acepte el enchufe del producto. Revise que el cable de extensión esté en buen estado. Al utilizar un cable de extensión, fíjese que sea del calibre apto para transmitir la corriente que consume el producto. Un cable de calibre insuficiente hará que baje el voltaje de la línea perdiendo potencia y produciendo sobrecalentamiento en la unidad. Se recomienda un cable de calibre 14 ó 12. Si se usa un cable de extensión en exteriores, debe estar marcado con el sufijo W-A después de la designación del tipo de cable. Por ejemplo, una designación SJTW-A indicaría que el cable sería apto para uso en exteriores.

<b>IMPORTANTE:</b>	Previsto para el uso al aire libre o interiores solamente con los materiales que tienen punto de inflamación sobre 100°F (38°C).
--------------------	--


# INFORMACIÓN IMPORTANTE SOBRE SEGURIDAD

## PELIGROS DE SEGURIDAD

	<b>PELIGRO: EXPLOSIÓN O INCENDIO</b> Los vapores inflamables, como vapores de solvente y pintura, en el área de trabajo se pueden encender o pueden explotar.
---	--


### PREVENCIÓN:

- No pulverice materiales inflamables ni combustibles cerca de llamas desnudas, pilotos o fuentes de ignición como objetos calientes, cigarrillos, motores, equipos eléctricos o electrodomésticos. Evite producir chispas al conectar y desconectar los cables de alimentación.
- Para utilizar solamente con materiales acuosos o de tipo de alcohol mineral con un punto de inflamación mínimo de 38 °C (100 °F) — No pulverice ni limpie con líquidos que tengan un punto de inflamación por debajo de 38 °C (100 °F). El punto de inflamación es la temperatura a la que un fluido puede producir vapor suficiente como para incendiarse.
- Compruebe que todos los recipientes y sistemas de recogida están conectados a tierra para evitar descargas eléctricas.
- Conecte a una salida con toma a tierra y utilice cables alargadores puestos a tierra. No utilice un adaptador de 3 a 2.
- Mantenga la zona de pulverización bien ventilada. Asegúrese de que circula aire fresco por la zona para evitar que se acumulen vapores inflamables en el aire de la zona de pulverización.
- No fume en la zona de pulverización.
- No encienda interruptores de luces, motores ni productos similares que puedan producir chispas en la zona de pulverización.
- Mantenga la zona limpia y despejada de botes de pintura y disolventes, trapos y otros materiales inflamables.
- Infórmese del contenido de la pintura y de los disolventes que pulverice. Lea las hojas de datos sobre seguridad de los materiales (SDS) y las etiquetas en los botes de pintura y disolvente. Siga las instrucciones de seguridad del fabricante de la pintura y del disolvente.
- Deberá contar con equipos extintores de incendios que funcionen correctamente.

	<b>PELIGRO: DESCARGA ELÉCTRICA</b> Este producto puede causar lesiones debido a descargas eléctricas.
---	--

### PREVENCIÓN:

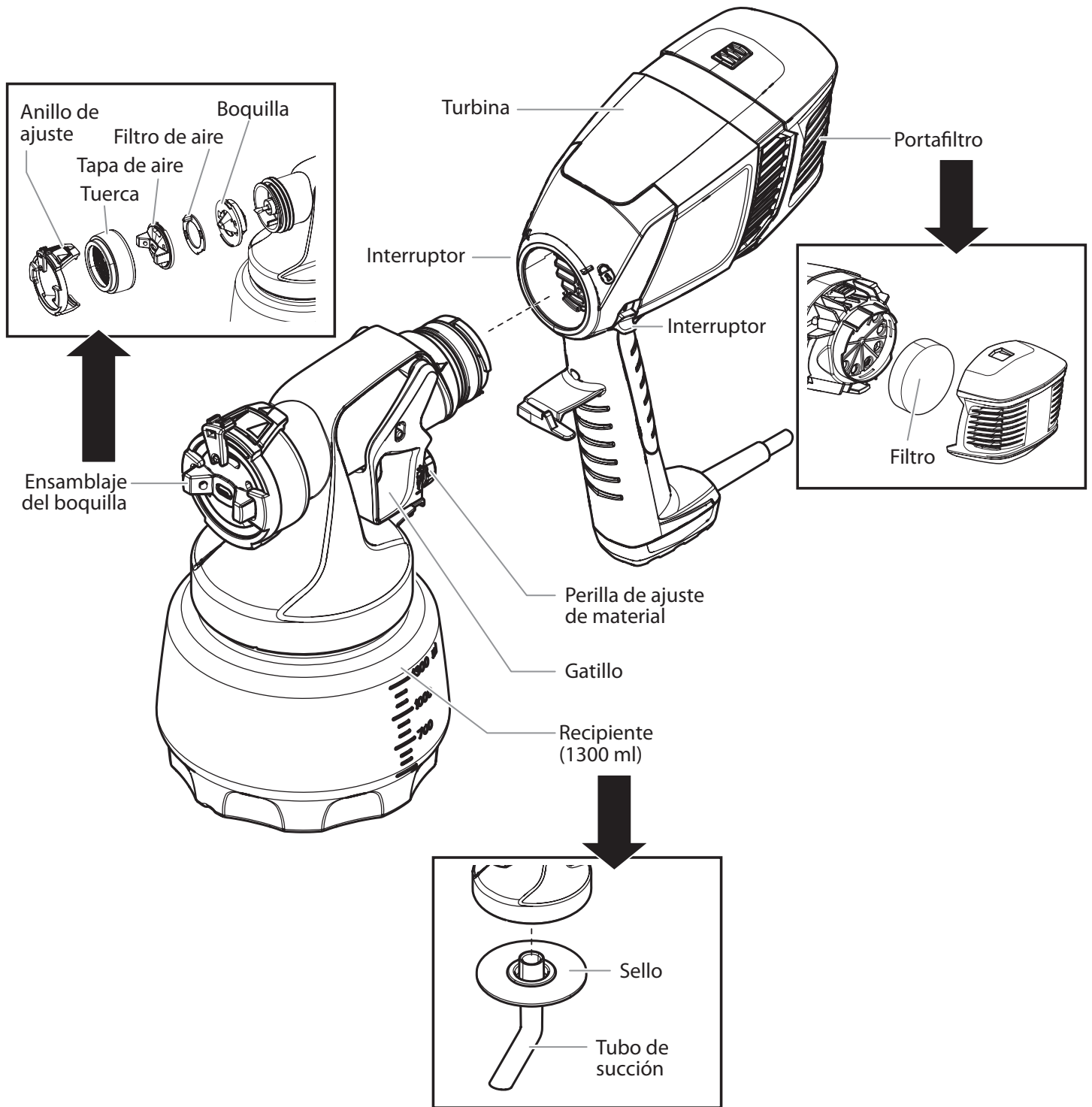
- El cable de alimentación debe estar conectado a un circuito con toma a tierra.
- Nunca sumerja las piezas eléctricas.
- Nunca exponga el equipo a la lluvia. Almacénelo bajo techo.
- Mantenga el cable de alimentación eléctrica y el gatillo del pulverizador libres de producto y otros líquidos. Jamás sostenga el cable al nivel del enchufe para soportarlo. El incumplimiento de lo anterior puede resultar en electrocución.

	<b>PELIGRO: GENERAL</b> Este producto puede causar lesiones graves o daños a la propiedad.
---	---

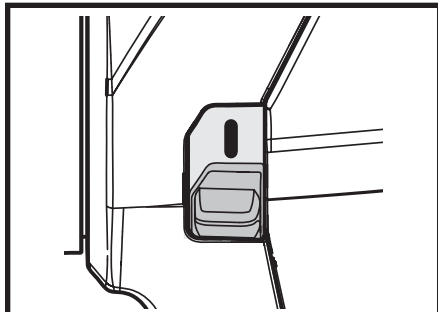
### PREVENCIÓN:

- Cuando pinte, lleve siempre guantes, protección para los ojos, ropa y un respirador o máscara adecuados. Vapores peligrosos: Las pinturas, disolventes, insecticidas y otros materiales pueden ser perjudiciales si se inhalan o entran en contacto con el cuerpo. Los vapores pueden producir náuseas intensas, desmayos o envenenamiento.
- Nunca utilice el aparato ni pulverice cerca de niños. Mantenga el equipo alejado de los niños en todo momento.
- No se estire demasiado ni se apoye sobre un soporte inestable. Mantenga los pies bien apoyados y el equilibrio en todo momento.
- No se distraiga y tenga cuidado con lo que hace.
- No utilice el aparato si está fatigado o se encuentra bajo la influencia del alcohol o de las drogas.
- NUNCA apunte la pistola a ninguna parte del cuerpo.
- Siga todos los códigos locales, estatales y nacionales correspondientes que rijan la ventilación, prevención de incendios y operación.
- Se han adoptado las normas de seguridad del Gobierno de los Estados Unidos según la Ley de seguridad ocupacional y salud (Occupational Safety and Health Act, OSHA). Deben consultarse estas normas, particularmente el apartado 1910 de las Normas generales y el apartado 1926 de las Normas de construcción.
- Utilice solamente componentes autorizados por el fabricante. El usuario asume todos los riesgos y responsabilidades cuando usa piezas que no cumplen con las especificaciones mínimas y los requisitos de dispositivos de seguridad del fabricante de la turbina.
- Debe conectarse el cable eléctrico a un circuito a tierra.
- No pinte en exteriores en días con viento.

# CONTROLES Y FUNCIONES



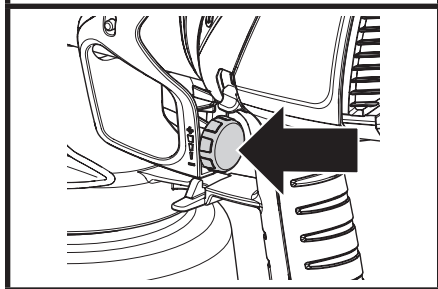
## CONTROLES Y FUNCIONES



### INTERRUPTOR DE ENCENDIDO / APAGADO

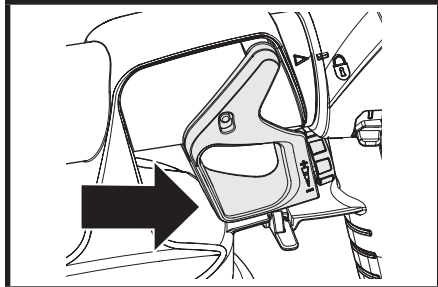
El interruptor de Encendido/Apagado enciende (I) y apaga (0) la turbina.

No se descargará material de pulverización hasta que se apriete el gatillo.



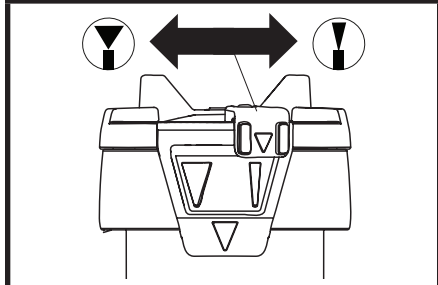
### AJUSTE DEL FLUJO DE MATERIAL

Con el ajuste del flujo de material se controla la cantidad de producto pulverizado con la pistola.



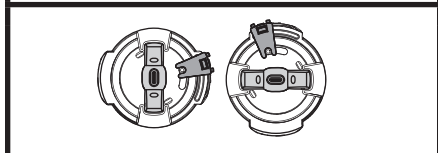
### GATILLO

Apretar el gatillo descargará material de pulverización desde el recipiente de material hacia el conjunto de boquilla, desde donde se pulveriza.



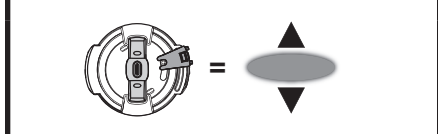
### PALANCA DE AJUSTE DE ANCHO

Con el palanca de ajuste de ancho se determina el ancho del patrón de pulverización.



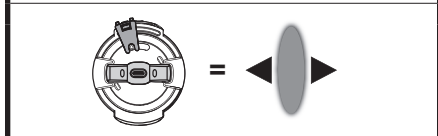
### ANILLO DE AJUSTE

La forma de la modalidad de rociado se ajusta girando el anillo de ajuste a las posiciones vertical o horizontal.



Modalidad horizontal

Utiliza un movimiento de "ascendente y descendente"



Modalidad vertical

Utiliza un movimiento de "lado a lado"

## MONTAJE



Para ver un video que muestra cómo preparar el Control Stainer, visite:  
[www.wagnerspraytech.com/controlstainer350](http://www.wagnerspraytech.com/controlstainer350)

## PREPARACIÓN DEL MATERIAL



Es posible que deba filtrar el material que va a pulverizar para eliminar todas las impurezas de la pintura, la cual puede entrar y obstruir el sistema. Las impurezas en la pintura generan un rendimiento y un acabado deficientes.

## MATERIALES PULVERIZABLES

- Selladores
- Tintura semitransparente
- Tintura sólidas
- Laca
- Uretanos
- Pinturas decorativas (es posible que necesite diluir)
- Pinturas de látex y aceite (es posible que necesite diluir)

## \*DILUCIÓN DEL MATERIAL

Antes de rociar el material, es posible que tenga que diluirlo con el solvente adecuado, como lo especifica el fabricante del mismo. Respete siempre las proporciones de dilución que aconseja el fabricante del revestimiento.

Si se necesita diluir, use el solvente adecuado según las especificaciones del fabricante del material. Respete siempre las proporciones de dilución que aconseja el fabricante del revestimiento.



Solamente diluya el material si es estrictamente necesario para mejorar el rendimiento de pulverización. Simplemente se deben ajustar los distintos controles de la unidad para lograr un rendimiento de pulverización óptimo.



No intente disminuir la densidad de los materiales que tengan un punto de inflamación inferior a 38 °C (100 °F).

# MONTAJE



Para ver un video que muestra cómo preparar el Control Stainer, visite:

[www.wagnerspraytech.com/controlstainer350](http://www.wagnerspraytech.com/controlstainer350)

## ENSEMBLAJE



**NUNCA** dirija la punta de la pistola rociadora hacia alguna parte del cuerpo.

Compruebe que el cable de alimentación esté conectado.

1. Mezcle bien el material que va a rociar.
2. Llene el recipiente. Use un filtro para retirar partículas.  
(consulte **Dilución del material**, en la página anterior, si se debe diluir).
3. Alinee el tubo de recogida:
  - A Si pulveriza hacia abajo, el extremo en ángulo del tubo de recogida debe estar orientado hacia la parte delantera de la boquilla.
  - B Si pulveriza hacia arriba, el extremo en ángulo del tubo de recogida debe estar orientado hacia la parte posterior de la boquilla.



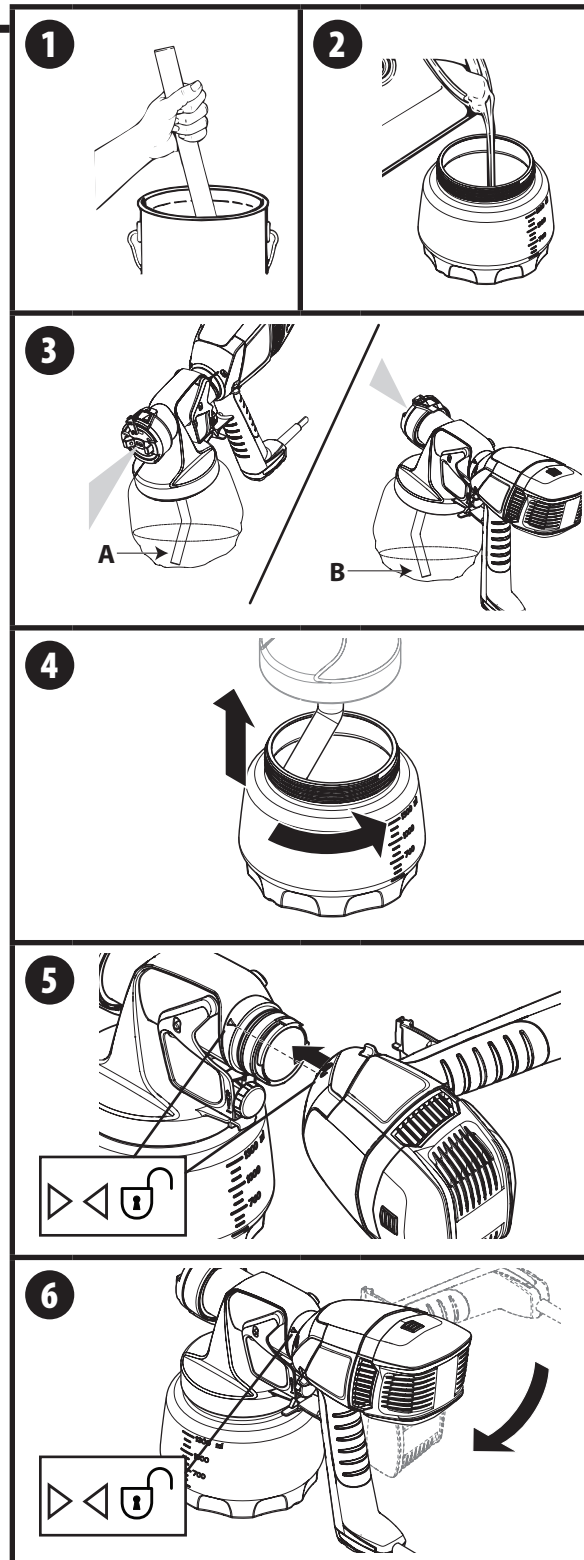
Asegúrese de que el tubo de aspiración se inserte tanto como sea posible para garantizar que esté bien ajustado.

4. Enrosque cuidadosamente la recipiente en la conjunto de boquilla rociadora. Apriete firmemente.
5. Alinee la flecha de la pistola rociadora con el símbolo UNLOCK (Desbloquear) de la asa de pistola atomizadora.
6. Inserte y gire la boquilla rociadora en la asa hacia el símbolo LOCK (Bloquear) de la asa de pistola atomizadora. La lengüeta debajo del gatillo bloqueará las dos piezas en su lugar.

### IMPORTANTE:

Si ya se ha utilizado la unidad, asegúrese de que el sello rojo de la boquilla esté en su lugar (consulte la página 34).

Nunca apriete el gatillo si la turbina no está funcionando. Goteará pintura desde la boquilla.





# CONTROLES DEL PULVERIZADOR



Para ver un video que muestra consejos y mejores prácticas de pulverización para Control Stainer 350, visite:

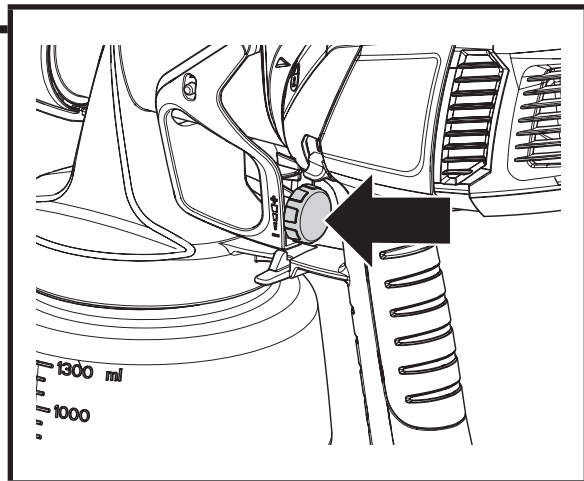
[www.wagnerspraytech.com/controlstainer350](http://www.wagnerspraytech.com/controlstainer350)

## AJUSTE DEL FLUJO DE MATERIAL



El control de flujo de material vendrá establecido de fábrica en su ajuste más bajo cuando lo saque de la caja. Ajuste según sea necesario.

- Gire la perilla hacia afuera (hacia la izquierda) para un flujo menor. Generalmente, se necesita un flujo de material bajo para pulverizar áreas de superficies más pequeñas, como esquinas, enrejados o husos.
- Gire la perilla hacia adentro (hacia la derecha) para un flujo mayor. Generalmente, se necesita un flujo de material alto para pulverizar áreas de superficies grandes, como cercas y cubiertas



## AJUSTE DE LA FORMA DE LA PULVERIZACIÓN



Gire la anillo de ajuste para ajustar el patrón de pulverización. La posición del anillo de ajuste determinará la dirección del movimiento de la pistola pulverizadora.

Con el palanca de ajuste de ancho se determina el ancho del patrón de pulverización.

PALANCA DE AJUSTE DE ANCHO



ANILLO DE AJUSTE

### 1. Patrón vertical:

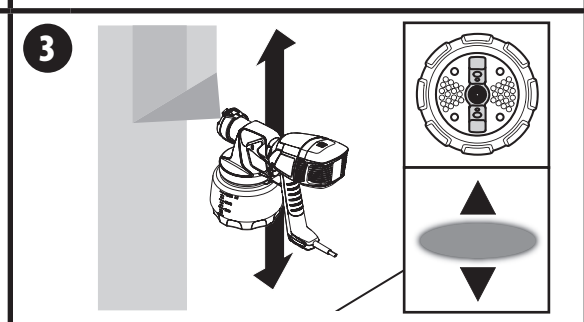
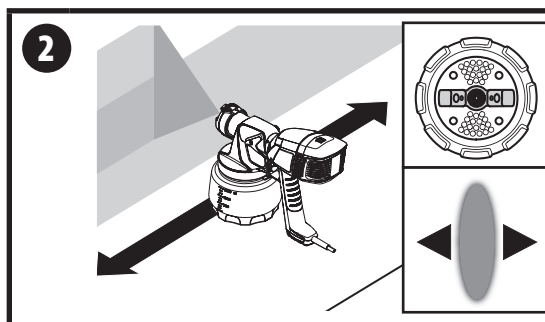
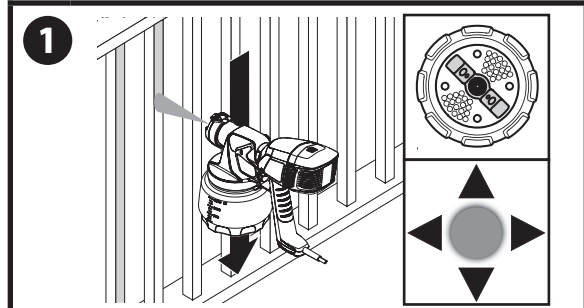
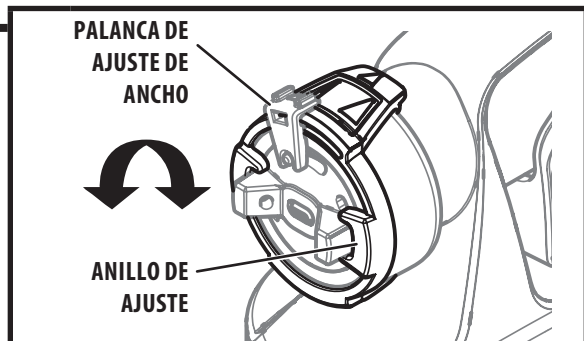
Use un movimiento de lado a lado durante la pulverización.

### 2. Patrón horizontal:

Use un movimiento ascendente y descendente.


### 3. Patrón estrecho (ajuste la palanca de ajuste de ancho a estrecha):

Use un movimiento de pulverización ascendente y descendente o de lado a lado, según el objeto que pulverice.






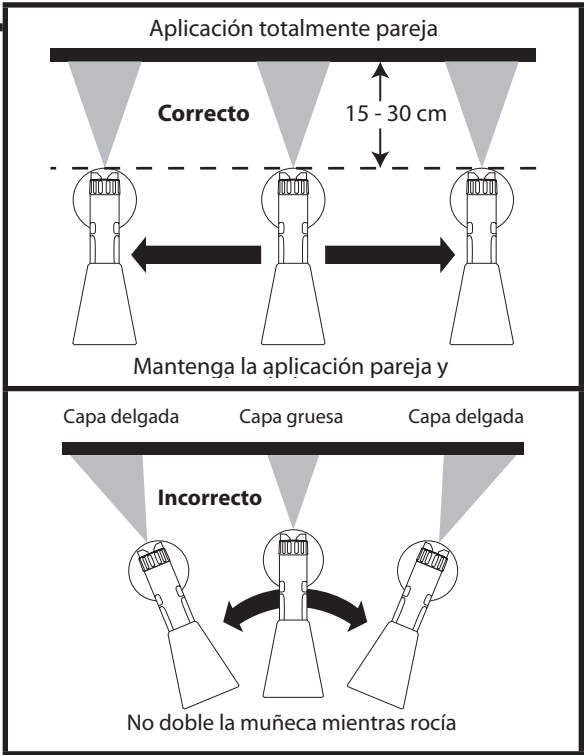
# ROCIADO

	<p>Para ver un video que muestra consejos y mejores prácticas de pulverización para Control Stainer 350, visite:</p> <p><b><a href="http://www.wagnerspraytech.com/controlstainer350">www.wagnerspraytech.com/controlstainer350</a></b></p>
---	---

## CÓMO PULVERIZAR CORRECTAMENTE

- Mueva el interruptor de Encendido/Apagado a ENCENDIDO (I) para encender la turbina. No se pulverizará material hasta que se active el gatillo.
- Coloque la pistola pulverizadora perpendicular a la superficie de pulverización.
- Pulverice de manera paralela a la superficie, con pasadas rectas y completas a una velocidad constante, como se muestra a la derecha.
- Siempre aplique una capa delgada de material en la primera pasada y permita que se seque, antes de aplicar una segunda capa más pesada.
- Cuando pulverice, siempre accione la pistola pulverizadora después de comenzar la pasada de pulverización, y suelte el gatillo antes de terminar la pasada. Siempre mantenga la pistola apuntando de manera recta a la superficie de pulverización y superponga levemente las pasadas para obtener el acabado más uniforme y profesional posible.



	<p>Limpie con frecuencia la boquilla con un paño húmedo cuando esté pulverizando para eliminar el material seco.</p>
---	--

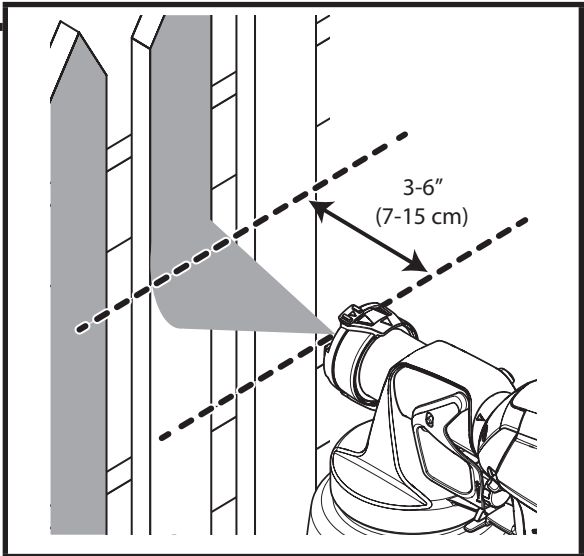


## PRACTIQUE SU TÉCNICA

Practique su técnica (utilice el póster que se proporciona).

- **Acérquese.** La pistola pulverizadora debería estar a una distancia de 7,6 a 15,2 cm del objeto de pulverización.
- **Pasadas completas.** Pulverice el material con pasadas rectas y completas, no con ondas cortas.
- **Capas delgadas.** Para un acabado más fino, pulverice una capa delgada en la primera pasada y luego cubra completamente en una segunda pasada.

	<p>NO apriete el gatillo cuando la turbina esté APAGADA. El material de pulverización goteará por la boquilla.</p>
	<p>Si después de seguir las pautas descritas en estas dos páginas, aún no consigue el rendimiento de pulverización deseado, consulte la sección "Solución de problemas" en la página 36.</p>



# LIMPIEZA



Para ver un video que muestra la limpieza de Control Stainer150, visite:  
[www.wagnerspraytech.com/controlstainer350](http://www.wagnerspraytech.com/controlstainer350)

## NOTAS DE LIMPIEZA



Al limpiar, use la solución de limpieza apropiada (agua tibia con jabón para materiales de látex, alcoholes minerales para materiales a base de óleo).



Instrucciones especiales de limpieza para utilizar con solventes inflamables (deben tener un punto de inflamación de 100 °F (38 °C):

- Descargue siempre la pistola rociadora en exteriores.
- En la zona no debe haber vapores inflamables.
- El área de limpieza debe estar bien ventilada.
- ¡No sumerja la turbina!



Para una limpieza básica y rápida entre los cambios de color, llene el recipiente de material con una solución de limpieza y pulverice la solución a través de la pistola en un recipiente de desechos.

### 1. APAGUE la turbina.

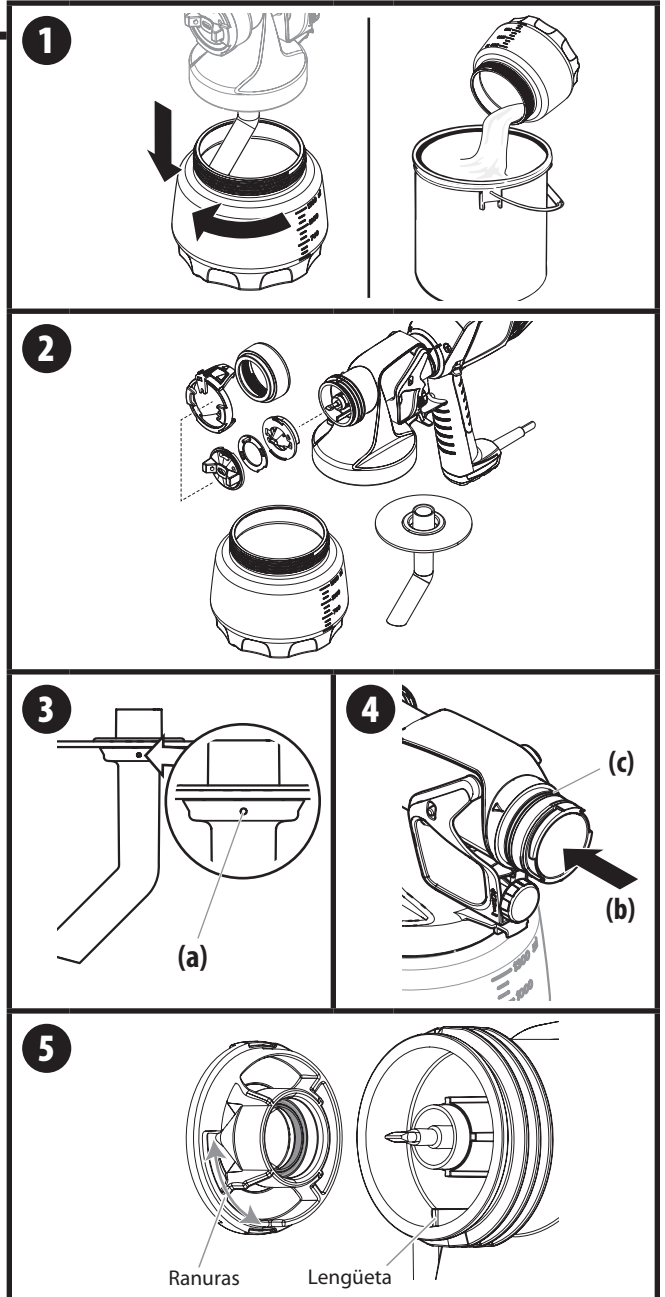
Retire el recipiente y vacíe todo el material restante. Enjuague completamente el recipiente de material con agua tibia con jabón (o con alcohol mineral para materiales a base de óleo).

### 2. Desmonte la pistola pulverizadora y limpie todas las piezas con agua tibia con jabón (o con alcohol mineral para materiales a base de óleo).

### 3. Limpie el ducto de ventilación (a) del tubo de succión con la cepillo de limpieza.

### 4. Gire la boquilla rociadora y sepárela de la asa. Limpie el exterior del depósito y de la pistola hasta que queden limpios. Limpie la parte trasera de la boquilla rociadora (b) con la solución de limpieza adecuada. Lubrique la joint torica con una capa delgada de vaselina (c).

### 5. Vuelva a ensamblar la pistola rociadora.



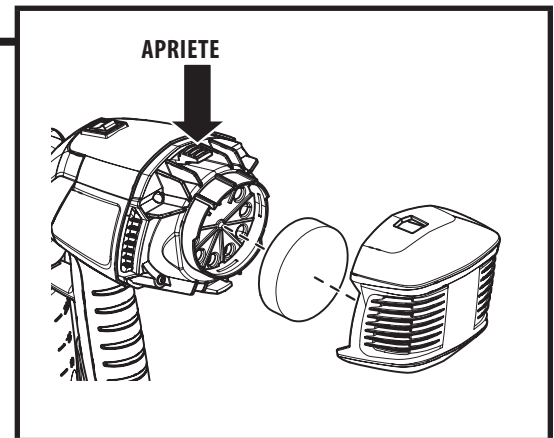
Asegúrese de que la lengüeta en el cabezal de la pistola pulverizadora está alineada con una de las ranuras de la boquilla.

# MANTENIMIENTO


## LIMPIEZA DEL FILTROS

<b>IMPORTANTE:</b>	Es conveniente que inspeccione el filtro de aire de la turbina para controlar si está excesivamente sucio. Si se encuentra sucio, siga los pasos a continuación para reemplazarlo.  Nunca haga funcionar la unidad sin el filtro de aire. La suciedad puede ingresar en la unidad e interferir con su funcionamiento.
--------------------	---

1. Presione la lengüeta en la parte posterior de la turbina. Deslice la carcasa posterior y sáquela de la parte posterior de la turbina.
2. Retire el filtro sucio de la turbina y reemplácelos por nuevo. Se debe colocar el lado suave del filtro de aire hacia la turbina.  
Fije la tapa de vuelta en la turbina.



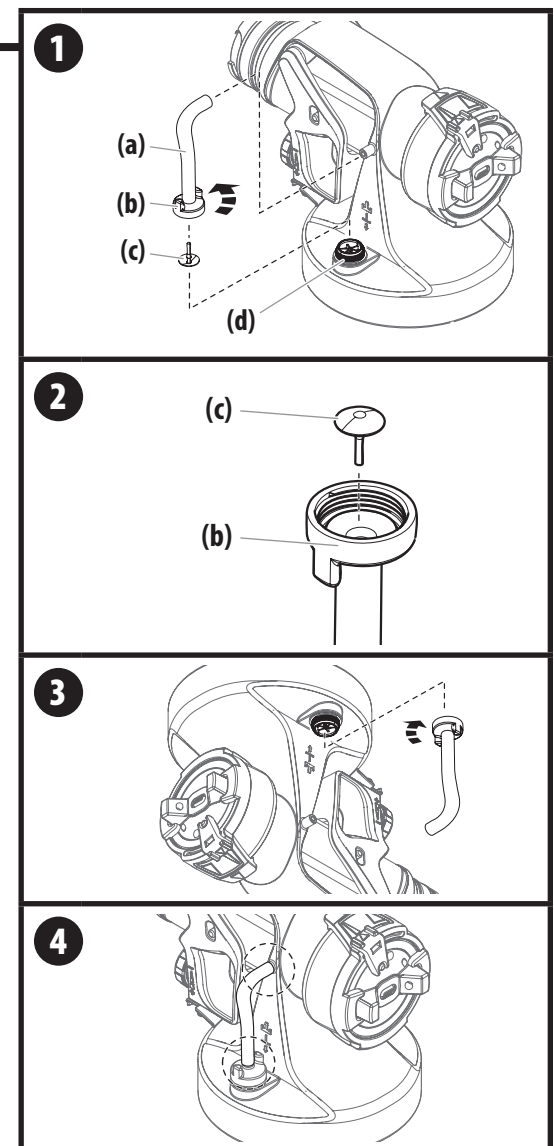
## LIMPIEZA DE TUBO DE AIRE

	Si entró pintura al tubo de aire, realice lo siguiente.
--	---

1. Saque el tubo de aire (a) de la parte superior del cuerpo de la boquilla. Destornille la cubierta de la válvula (b).  
Retire el sello de la válvula (c). Limpie cuidadosamente todas las piezas. Asegúrese de limpiar cualquier material de la zona de alojamiento del sello de la válvula (d).




<b>IMPORTANTE:</b>	El tubo de aire y el sello de la válvula (c) son resistentes a los solventes solo hasta cierto punto. No lo sumerja en solvente, solo límpielo.
--------------------	---

2. Coloque el sello de la válvula (c) en la cubierta de la válvula (b) con el pasador mirando hacia el tubo. Instalar el sello de la válvula en la cubierta de la válvula será mucho más fácil si la cubierta de la válvula está invertida.
3. Invierta la boquilla y atornille la cubierta de la válvula (con el sello de la válvula dentro) desde abajo. Invertir la boquilla evitará que el sello de la válvula se caiga de la cubierta de la válvula durante la reinstalación.
4. Coloque el tubo de aire en la cubierta de la válvula y en la boquilla roscada del conjunto del boquilla.



## SOLUCIÓN DE PROBLEMAS

PROBLEMA	CAUSA	SOLUCIÓN
Problema A: Poco o ningún flujo de pintura	<ol style="list-style-type: none"> <li>1. Boquilla taponada</li> <li>2. Tubo de succión está obstruido.</li> <li>3. Ajuste del flujo de material girado demasiado bajo.</li> <li>4. Tubo de succión suelto.</li> <li>5. No se eleva la presión en el recipiente de la pistola.</li> <li>6. Filtro de aire obstruido.</li> <li>7. La material es demasiado espesa.</li> <li>8. Junta de boquilla desgastada o falta.</li> </ol>	<ol style="list-style-type: none"> <li>1. Limpie.</li> <li>2. Limpie.</li> <li>3. Aumente del flujo de material.</li> <li>4. Reemplace la tubo de succión.</li> <li>5. Apriete el recipiente.</li> <li>6. Reemplace la filtro de aire.</li> <li>7. Diluya*.</li> <li>8. Reemplace la boquilla.</li> </ol>
Problema B: El material gotea	<ol style="list-style-type: none"> <li>1. Boquilla está suelta.</li> <li>2. Boquilla desgastada.</li> <li>3. Junta de boquilla desgastada o falta.</li> <li>4. Acumulación de material en válvula de aire y boquilla.</li> </ol>	<ol style="list-style-type: none"> <li>1. Apriete la boquilla.</li> <li>2. Reemplace la boquilla.</li> <li>3. Reemplace la boquilla.</li> <li>4. Limpie.</li> </ol>
Problema C: El patrón de pulverización tiene demasiada densidad, se corre	<ol style="list-style-type: none"> <li>1. Ajuste del flujo de material girado demasiado alto.</li> <li>2. Está aplicando demasiado material.</li> <li>3. Boquilla taponada.</li> <li>4. Filtro de aire obstruido.</li> <li>5. Poca presión en el recipiente.</li> <li>6. La material es demasiado espesa.</li> </ol>	<ol style="list-style-type: none"> <li>1. Disminuya del flujo de material.</li> <li>2. Ajuste el flujo del material mueva más rápidamente la pistola.</li> <li>3. Limpie.</li> <li>4. Reemplace el filtro de aire.</li> <li>5. Apriete el recipiente.</li> <li>6. Diluya*.</li> </ol>
Problema D: Dispersión intermitente	<ol style="list-style-type: none"> <li>1. Poca cantidad de material en el recipiente.</li> <li>2. Filtro de aire obstruido.</li> </ol>	<ol style="list-style-type: none"> <li>1. Añada material.</li> <li>2. Reemplace la filtro de aire.</li> </ol>
Problema E: Demasiada dispersión del chorro atomizado	<ol style="list-style-type: none"> <li>1. Distancia al objeto demasiado grande.</li> </ol>	<ol style="list-style-type: none"> <li>1. Acerque la pistola (7-15 cm es óptima).</li> </ol>
Problema F: El patrón es muy delgado y queda salpicado	<ol style="list-style-type: none"> <li>1. Está desplazando la pistola de atomización muy rápidamente.</li> <li>2. Ajuste del flujo de material girado demasiado bajo.</li> </ol>	<ol style="list-style-type: none"> <li>1. Ajuste el flujo del material mueva más lentamente la pistola.</li> <li>2. Aumente del flujo de material.</li> </ol>

	*Solo se debe diluir el material como último recurso para mejorar el rendimiento de pulverización.
	Esta unidad no contiene piezas eléctricas que se puedan reparar. No intente repararlas personalmente. Guarde la unidad en interiores con el cable enrollado alrededor de la asa de turbina.
	Si usted ha seguido las recomendaciones anteriores y aún tiene problemas, en los Estados Unidos, para hablar con un representante del servicio al cliente, llame a nuestro servicio al cliente al 1-800-328-8251. Consulte la sección "Contact Us" (Comuníquese con nosotros) en <a href="http://www.wagnerspraytech.com">www.wagnerspraytech.com</a> para conocer los horarios del Servicio Técnico.

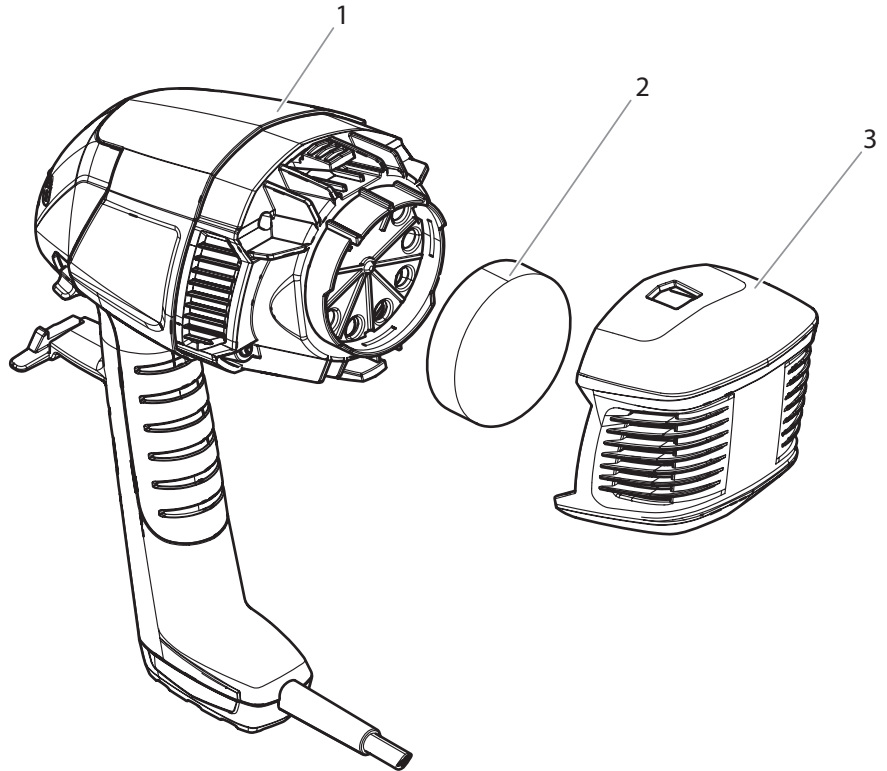
## PARTS LIST • LISTE DE PIÈCES • LISTA DE PIEZAS

Replacement parts available by calling customer service

On peut obtenir des pièces de rechange en appelant le Service à la clientèle.

Los repuestos están disponibles llamando al servicio a clientes.

**1-800-328-8251**

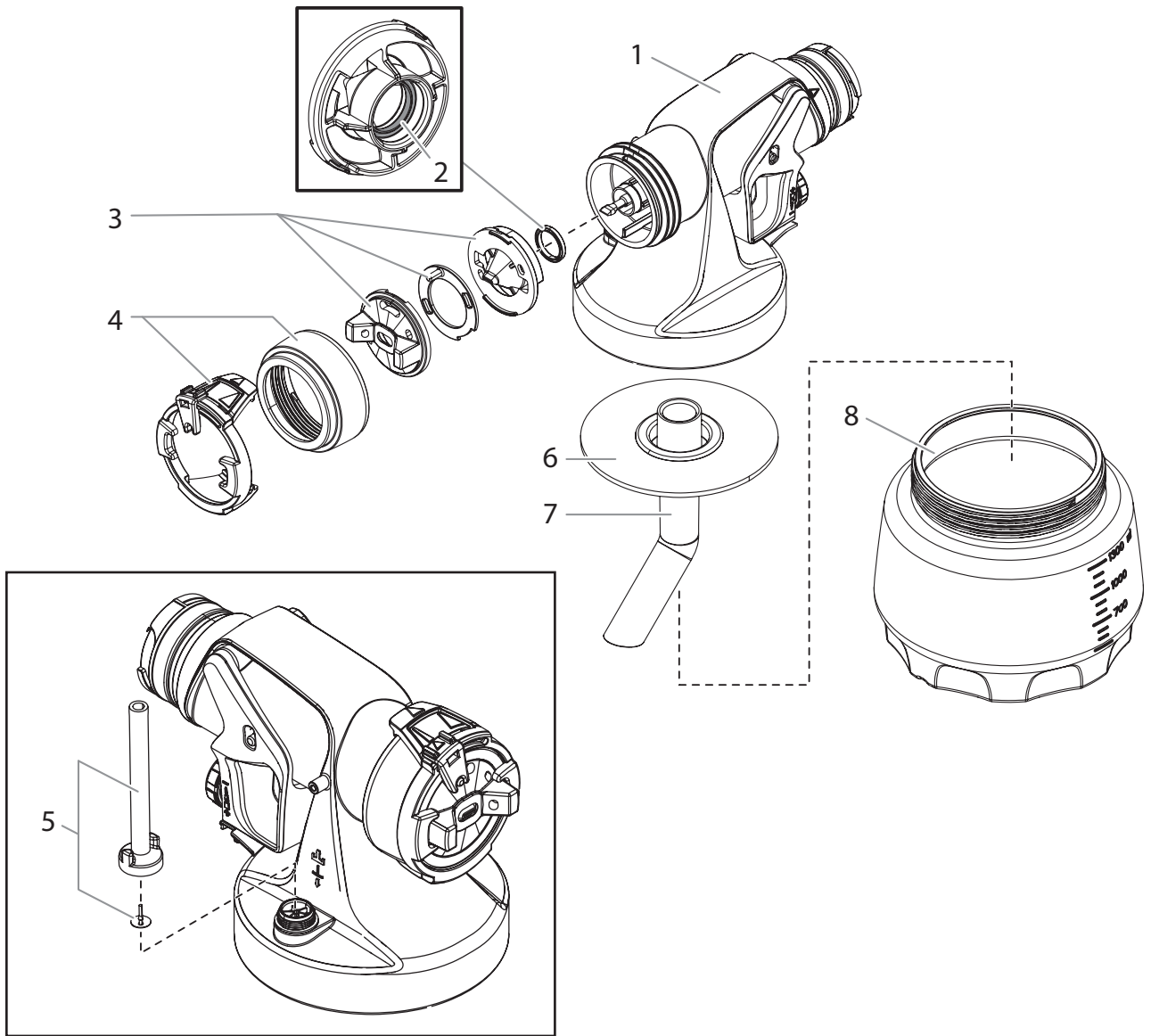


#	Part No. N° de pièce Pieza No.	English Description	Français Description	Español Descripción	Qty. Qte. Cant.
1	-----	Turbine (includes item 2-3)	Turbine (inclut de pièce 2-3)	Turbina (incluye le artículo 2-3)	1
2	2307279	Filter	Filtre	Filtro	2
3	2314371	Filter housing	Poignée de pistolet	Alojamiento de	1

## COMPATIBLE ACCESSORIES • ACCESSOIRES COMPATIBLES • ACCESORIOS COMPATIBLES

Part No. N° de pièce Pieza No.	English Description	Français Description	Español Descripción
0529013	<b>Detail Finish nozzle</b>	<b>Buse de Detail Finish</b>	<b>Boquilla de Detail Finish</b>
	<ul style="list-style-type: none"> <li>Controlled coverage, speed with smooth finish</li> <li>Detail projects and finer finishing</li> </ul>	<ul style="list-style-type: none"> <li>Vitesse de couverture contrôlée avec finition lisse</li> <li>Projets détaillés et finition fine</li> </ul>	<ul style="list-style-type: none"> <li>Velocidad de cobertura controlada con acabado uniforme</li> <li>Proyectos de detalle y acabado más fino</li> </ul>
0529277	<b>Control Finish nozzle</b>	<b>Buse de Control Finish</b>	<b>Boquilla de Control Finish</b>
	<ul style="list-style-type: none"> <li>Medium coverage speed with semi-smooth finish</li> <li>Finishing and painting small projects</li> </ul>	<ul style="list-style-type: none"> <li>Vitesse de couverture moyenne avec finition semi-lisse</li> <li>Finition et projets de peinture plus petits</li> </ul>	<ul style="list-style-type: none"> <li>Velocidad de cobertura media con acabado semiuniforme</li> <li>Acabado y pintado de proyectos pequeños</li> </ul>

# PARTS LIST • LISTE DE PIÈCES • LISTA DE PIEZAS



#	Part No. N° de pièce Pieza No.	English Description	Français Description	Español Descripción	Qty. Qte. Cant.
1	0529014	Spray gun assembly (includes items 1-8)	Ensemble de pistolet (includ des pièces 1 à 8)	Ensamblaje de pistola (incluye los articulos 1-8)	1
2	-----	Nozzle seal	Joint d'étanchéité de buse	Sello de boquilla	1
3	0529262	FLEXiO air cap kit (includes item 2)	Trousse de chapeau d'air de FLEXiO (includ de pièce 2)	Juego de tapa de aire de FLEXiO (incluye la articulo 2)	1
4	0529225	Spray jet kit	Trousse de buse de pulvérisation	Kit de chorro de pulverización	1
5	0529005	Tube / Valve seal	Tube / Joint de clapet	Tube / Junta de la válvula	1
6	0417474	Seal	Joint	Sello	1
7	0417473	Suction tube	Tube d'aspiration	Tubo de succión	1
8	2303366	Material container	Réservoir de liquide	Recipiente	1



# LIMITED WARRANTY • GARANTIE LIMITÉE • GARANTÍA LIMITADA

## HVLP PAINT SPRAY EQUIPMENT

This product, manufactured by Wagner Spray Tech Corporation (Wagner), is warranted against defects in material and workmanship for one year following date of purchase if operated in accordance with Wagner's printed recommendations and instructions. This warranty does not cover damage resulting from improper use, accidents, user's negligence or normal wear. This warranty does not cover any defects or damages caused by service or repair performed by anyone other than a Wagner Authorized Service Center.

ANY IMPLIED WARRANTY OF MERCHANTABILITY OR FITNESS FOR A PARTICULAR PURPOSE IS LIMITED TO ONE YEAR FOLLOWING DATE OF PURCHASE. WAGNER SHALL NOT IN ANY EVENT BE LIABLE FOR ANY INCIDENTAL OR CONSEQUENTIAL DAMAGES OF ANY KIND, WHETHER FOR BREACH OF THIS WARRANTY OR ANY OTHER REASON. THIS WARRANTY DOES NOT APPLY TO ACCESSORIES.

THIS PRODUCT IS DESIGNED FOR HOME USAGE ONLY. IF USED FOR COMMERCIAL OR RENTAL PURPOSES, THIS WARRANTY APPLIES ONLY FOR 30 DAYS FROM DATE OF PURCHASE.

If any product is defective in material and/or workmanship during the applicable warranty period, return it with proof of purchase, transportation prepaid to any Wagner Authorized Service Center. (Service Center listing is enclosed with this product.) Wagner's Authorized Service Center will either repair or replace the product (at Wagner's option) and return it to you, postage prepaid.

SOME STATES DO NOT ALLOW LIMITATIONS ON HOW LONG AN IMPLIED WARRANTY LASTS OR THE EXCLUSION OF INCIDENTAL OR CONSEQUENTIAL DAMAGES, SO THE ABOVE LIMITATION AND EXCLUSION MAY NOT APPLY TO YOU. THIS WARRANTY GIVES YOU SPECIFIC LEGAL RIGHTS, AND YOU MAY ALSO HAVE OTHER RIGHTS WHICH VARY FROM STATE TO STATE.

## PULVÉRISATEUR DE PEINTURE HVLP

Cet article fabriqué par Wagner Spray Tech Corporation (Wagner) est garanti contre tout défaut de fabrication et de matériaux pour une période d'un an suivant la date d'achat, à condition qu'il soit utilisé conformément aux recommandations et aux instructions écrites de Wagner. La garantie ne couvre pas les dommages résultant d'un mauvais emploi, d'un accident, d'une négligence de la part de l'utilisateur ou de l'usure normale de l'article. Elle ne couvre pas non plus les défauts ou les dommages découlant de services d'entretien ou de réparations assurées par tout autre établissement qu'un centre de service après-vente agréé de Wagner.

TOUTE GARANTIE TACITE RELATIVE AUX QUALITÉS MARCHANDES OU À L'UTILISATION DE CE PRODUIT DANS UN BUT PARTICULIER N'EST VALABLE QUE POUR UNE PÉRIODE D'UN AN À COMPTER DE LA DATE D'ACHAT. WAGNER NE SAURAIT ÊTRE TENU RESPONSABLE DES DOMMAGES FORTUITS OU INDIRECTS QUELS QU'ILS SOIENT, QUE CE SOIT POUR INOBSERVATION DE LA PRÉSENTE GARANTIE OU POUR TOUTE AUTRE RAISON. LA GARANTIE NE COUVRE PAS LES ACCESSOIRES.

CET ARTICLE A ÉTÉ CONÇU EXCLUSIVEMENT EN VUE D'UN USAGE DOMESTIQUE. LA GARANTIE NE SERA VALABLE QUE POUR 30 JOURS À COMPTER DE LA DATE D'ACHAT DE L'ARTICLE EST UTILISÉ À DES FINS COMMERCIALES OU DE LOCATION.

Tout article comportant des défauts de fabrication ou de matériaux au cours de la période de garantie applicable peut être retourné en port payé à un centre de service après-vente agréé de Wagner, accompagné de la preuve d'achat (une liste des centres de service après-vente accompagne cet article). Le centre de service après-vente agréé de Wagner vous renverra l'article en port payé, après l'avoir réparé ou remplacé (ce choix étant à la discrétion de Wagner).

COMME LES LIMITES DE TEMPS RELATIVES À UNE GARANTIE TACITE OU À L'EXCLUSION DES DOMMAGES DE NATURE FORTUITE OU INDIRECTE N'ONT PAS NÉCESSAIREMENT COURS DANS TOUTES LES PROVINCES, IL SE PEUT QUE LESDITES LIMITES OU EXCLUSIONS NE VOUS CONCERNENT PAS. CERTAINS DROITS PARTICULIERS VOUS SONT DÉVOLUS EN VERTU DE LA PRÉSENTE GARANTIE ET PEUVENT S'ACCOMPAGNER D'AUTRES DROITS EN FONCTION DE LA PROVINCE OÙ VOUS RÉSIDEZ.

## EQUIPO DE ATOMIZACIÓN DE PINTURA HVLP

Este producto, fabricado por la Wagner Spray Tech Corporation (Wagner), está garantizado contra defectos de materiales y de mano de obra por un año a partir de la fecha de compra siempre y cuando se utilice de acuerdo con las recomendaciones e instrucciones impresas de Wagner. Esta garantía no cubre daños ocasionados por el uso incorrecto, accidentes, negligencia por parte del usuario o el desgaste normal. Esta garantía no cubre cualquier defecto o daño ocasionado por el servicio o las reparaciones llevadas a cabo fuera de un Centro de Servicio Wagner Autorizado.

CUALQUIER GARANTÍA IMPLÍCITA REFERENTE AL POTENCIAL COMERCIAL O ADAPTABILIDAD PARA UN USO PARTICULAR SE LIMITA A UN AÑO A PARTIR DE LA FECHA DE COMPRA. WAGNER EN NINGÚN CASO SERÁ RESPONSABLE DE CUALQUIER DAÑO DIRECTO O INDIRECTO DE CUALQUIER TIPO, YA SEA POR VIOLACIÓN DE ESTA GARANTÍA O CUALQUIER OTRA RAZÓN. ESTA GARANTÍA NO SE APLICA A LOS ACCESORIOS.

ESTE PRODUCTO ESTÁ DISEÑADO PARA SER UTILIZADO EN EL HOGAR ÚNICAMENTE. SI SE UTILIZA PARA PROPÓSITOS COMERCIALES O DE ALQUILER, ESTÁ GARANTÍA ES VÁLIDA ÚNICAMENTE DURANTE 30 DÍAS A PARTIR DE LA FECHA DE COMPRA.

Si cualquier producto está defectuoso con respecto a los materiales o mano de obra, regréselo porte pagado junto con el recibo de compra a cualquier Centro de Servicio Wagner Autorizado (la lista de Centros de Servicio se adjunta con este producto). El Centro de Servicio Wagner Autorizado reparará o reemplazará el producto (a la discreción de Wagner) y se lo regresará porte pagado.

ALGUNOS ESTADOS, DEPARTAMENTOS O PROVINCIAS NO PERMITEN LIMITACIONES EN CUANTO AL PERÍODO DE VALIDEZ DE UNA GARANTÍA IMPLÍCITA NI LA EXCLUSIÓN DE DAÑOS DIRECTOS O INDIRECTOS. POR LA TANTO, LA LIMITACIÓN Y LA EXCLUSIÓN ANTERIOR PUEDEN NO APLICARSE A USTED. ESTA GARANTÍA LE OTORGA DERECHOS LEGALES ESPECÍFICOS Y USTED TAMBIÉN PUEDE TENER OTROS DERECHOS QUE VARIAN DE UNA LOCALIDAD A OTRA.



# CONTROL STAINER™ 350

[wagner-group.com](http://wagner-group.com)

UNCONTROLLED COPY