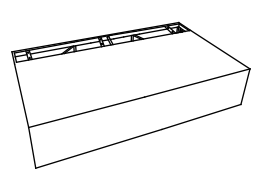


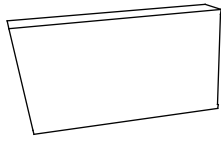
ASSEMBLY INSTRUCTION

E031LS-2/E031C-A/E031C-RA RATTAN LOVESEAT

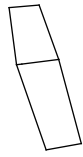
- A** Seat Frame **B** Back Frame **C** Left Armrest (in the other carton) **D** Right Armrest (in the other carton) **E** Bolt (M6*65)



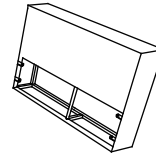
1pc



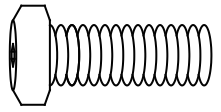
1pc



1pc



1pc



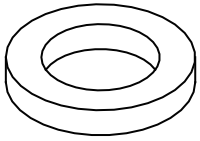
16pcs

- F** Washer

- G** Allen Key

- H** Nut

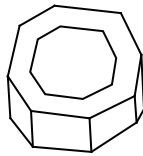
- I** Wrench



32pcs



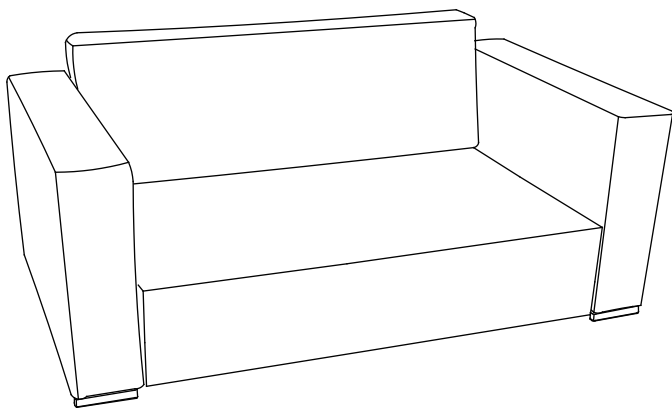
1pc



16pcs



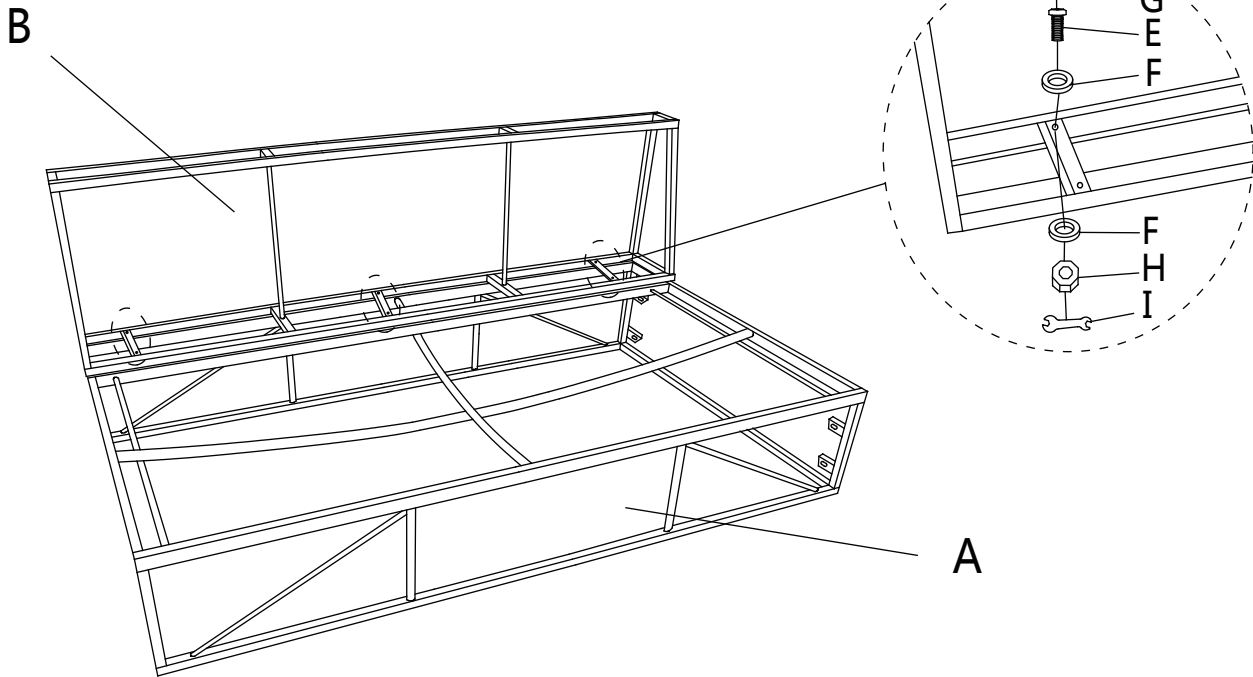
1pc



This page lists all the contents included in the box. Please take the time to identify the hardware as well as the individual components to this product. As you unpack and prepare for assembly, place the contents on a carpeted or padded area to protect them from damage

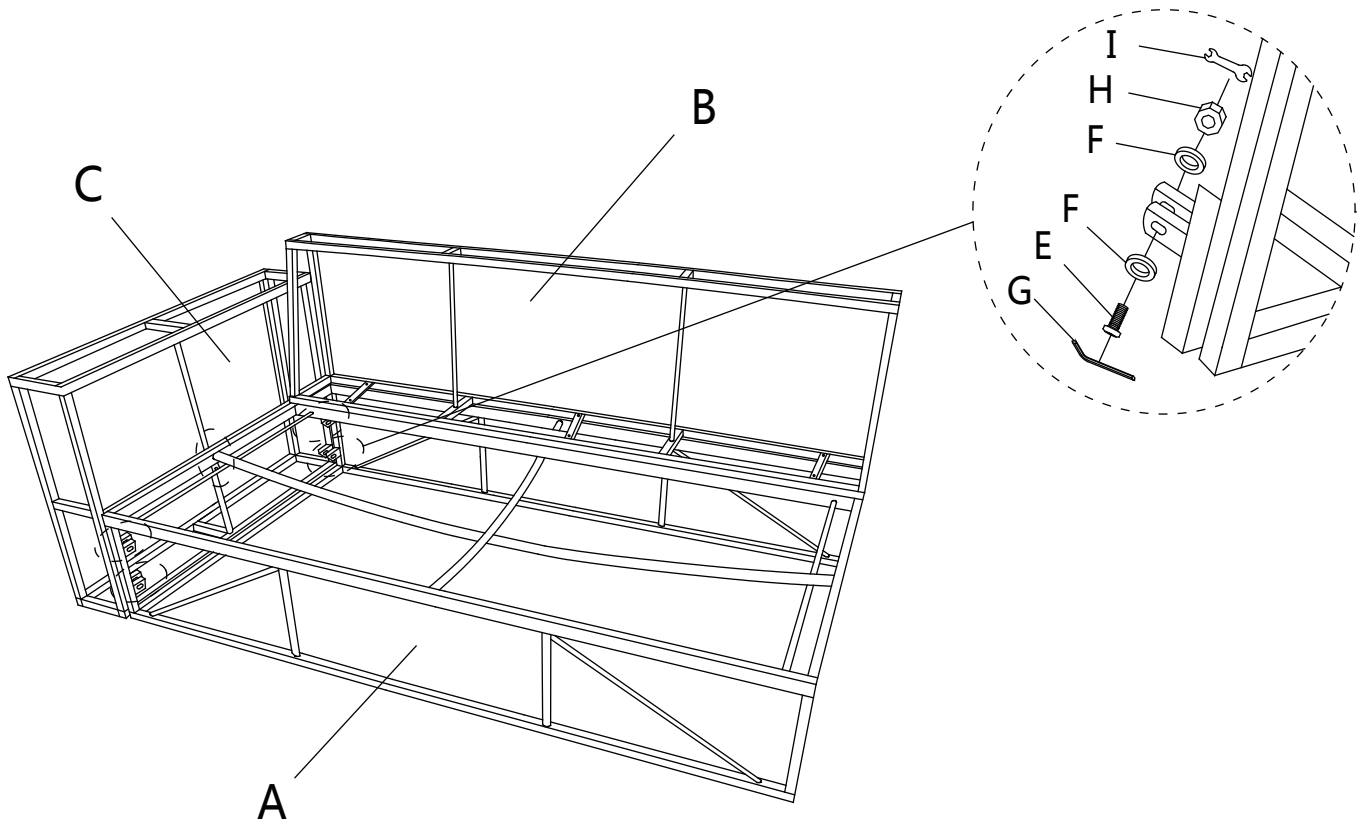
1

Assemble Seat Frame (A) to the Back Frame (B) with Bolt (E) and Washer (F) by using Allen Key (G). Then in the other Side of Rim, Put Nut (H) into Bolt (E) and Washer (F) to Fasten by Wrench (I).



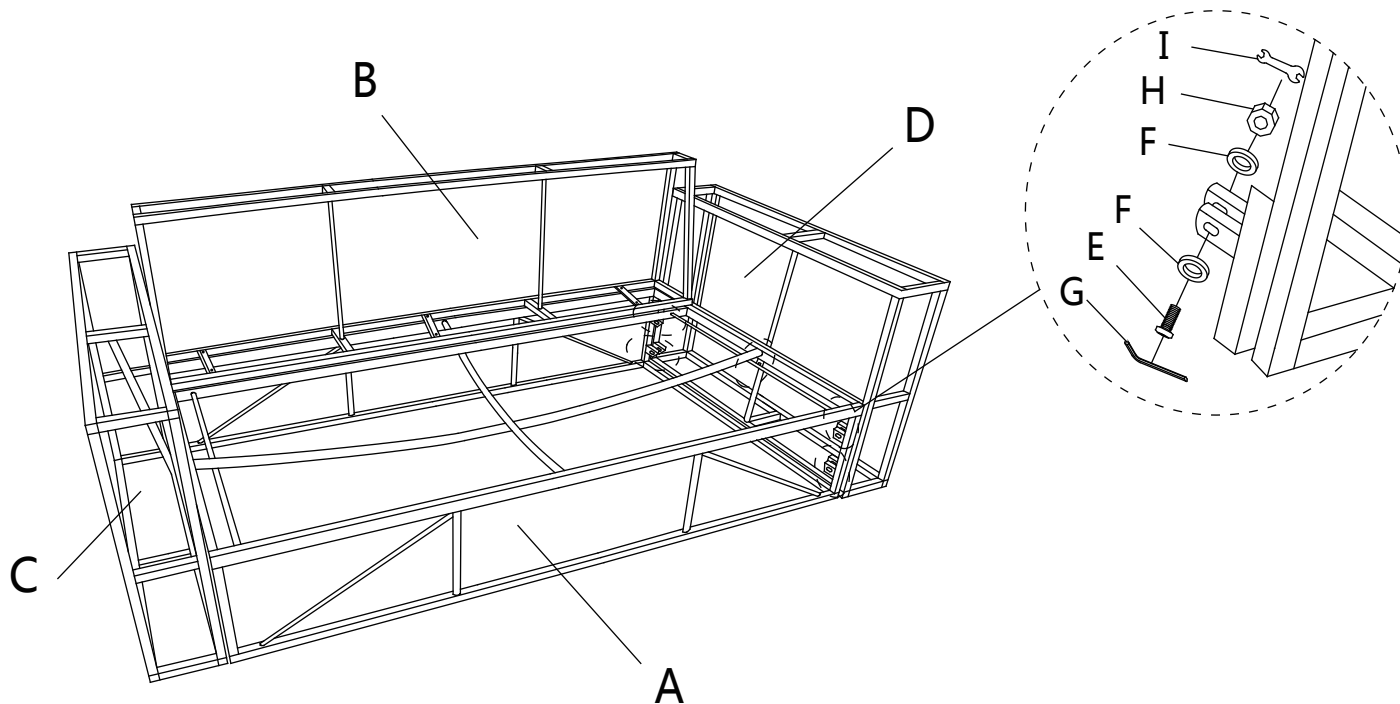
2

Assemble Left Armrest (C) to Seat Frame (A) and Back Frame (B) with Bolt (E) and Washer (F) by using Allen Key (G). Then in the other Side of Rim, Put Nut (H) into Bolt (E) and Washer (F) to Fasten by Wrench (I).



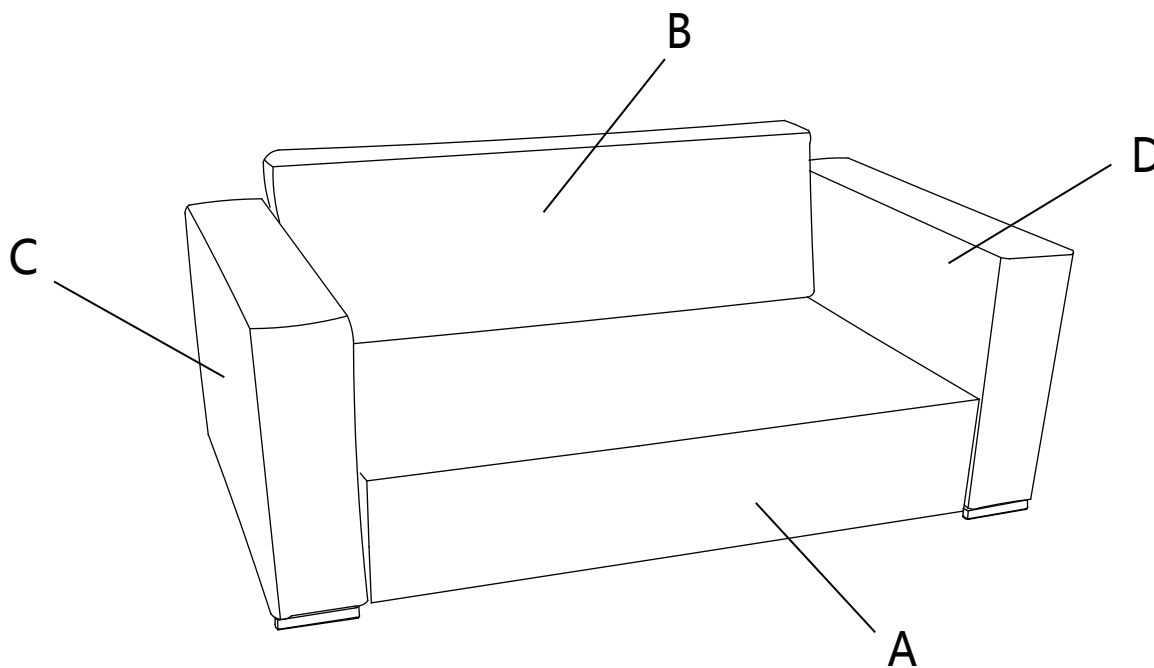
3

Assemble Right Armrest (D) to Seat Frame (A) and Back Frame(B) with Bolt (E) and Washer (F) by using Allen Key (G). Then in the other Side of Rim, Put Nut (H) into Bolt (E) and Washer (F) to Fasten by Wrench (I).



4

Assembly is Completely.



Cleaning & Care

Treat surface with care. Surface is resistant to scratches but is not scratch resistant. Clean surfaces with a dry or damp soft cloth. Do not use abrasive cleaners. Hardware may loosen over time. Periodically check that all connections are tight.