

60" x 32" PASSAGE™ SHOWER BASE

- A8011T-LHO PASSAGE SHOWER BASE**
Left Hand Drain
- A8011T-RHO PASSAGE SHOWER BASE**
Right Hand Drain

Features:

- Durable acrylic with fiberglass reinforced construction
- Low 2-1/4" threshold height
- Unique and pleasing geometric shape
- Deck platform creates distinct showering and storage spaces
- Integral three-sided, tiling/water retention flange
- End drain outlet
- Textured floor helps prevent slips and falls
- Shower drain not included
- Limited Lifetime warranty

Nominal Dimensions:

60" x 32" x 2-1/4"
(1524 x 813 x 57mm)

Compliance Certifications -

Meets or Exceeds the Following Specifications:

- CSA B45.5 / IAPMO Z124



A8011T-LHO SHOWER BASE
Left Hand Drain



A8011T-RHO SHOWER BASE
Right Hand Drain

SEE NEXT PAGE FOR ROUGHING-IN DIMENSIONS
AND PRODUCT SPECIFICATIONS

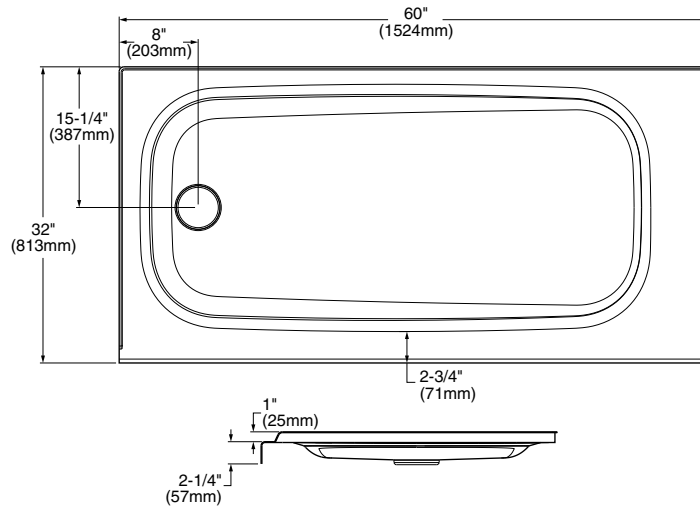
To Be Specified - Required:

- Drain: 751819-XXX (specify finish)
- Color: .020 White

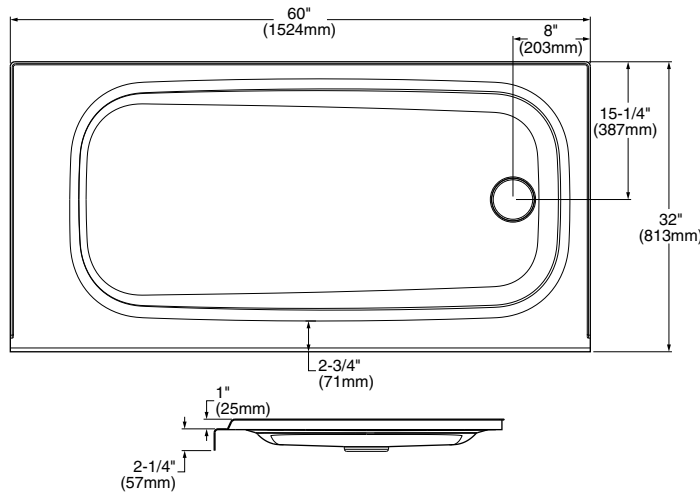
To Be Specified - Optional:

- Shower Walls: P2971SWT.XXX
- Shower Door: AM801703400.213 Frameless shower door with Easy-to-Clean clear glass

A8011T-LHO



A8011T-RHO



GENERAL SPECIFICATIONS FOR A8011T BASE

| | |
|-------------------------|--|
| INSTALLED SIZE | 60 x 32 x 2-1/4 In. (1524 x 813 x 57mm) |
| WEIGHT | 47.5 Lbs. (21.5 Kg) |
| SHOWER WELL AT SUMP | 46-13/16 x 21-1/4 In. (1190 x 539mm) |
| SHOWER WELL AT RIM | 51-3/4 x 27-1/8 In. (1314 x 691mm) |
| PTS. | 1.92 |
| CUBE (FT ³) | 5.27 |

NOTES:

REFER TO INSTALLATION INSTRUCTIONS SUPPLIED WITH PRODUCT FOR ADDITIONAL INFORMATION.

FITTINGS NOT INCLUDED AND MUST BE ORDERED SEPARATELY.

PROVIDE SUITABLE REINFORCEMENT FOR ALL SUPPORTS.

IMPORTANT: Dimensions of fixtures are nominal and may vary within the range of tolerances established by ANSI Standard Z124. These measurements are subject to change or cancellation. No responsibility is assumed for use of superseded or voided leaflet.

60" x 32" Passage™ Custom Shower Walls
Natural Designs

P2971SWT

Take your bathroom from basic to beautiful with the Passage Custom Bathing System. Decorative walls in 5 natural effect finishes provide the perfect alternative to tile.

Product Features:

- High quality laminate mounts over moisture-resistant wall board or sound ceramic tile
- Bull-nosed edges provide an elegant, finished look
- Virtually seamless tongue and groove mating of back wall panels
- Beautiful and stylish alternative to tile
- Customize with coordinating Passage shower base, frameless shower door, shower shelves
- Easily wipes clean using mild soap and a damp cloth

Nominal Dimensions (Installed):

60" x 32" x 72"
(1524 x 813 x 1829mm)

Wall Set Includes:

- Four panels of 7/16" (11.5mm) thickness
- Two back wall panels: 29-1/2" w x 72" h (749 x 1829mm)
- Two side wall panels: 31-7/16" w x 72" h (787 x 1829mm)



To Be Specified - Required:

Color pattern choice

- .370 Pewter Travertine
- .372 Gray Concrete
- .373 Gray Timber
- .374 Platinum Marble
- .377 Serene Marble

To Be Specified - Optional:

- A8011T-RHO: 60" x 32" x 2-1/4" (1524 x 813 x 57mm)
Acrylic Shower Base Right Outlet
- A8011T-LHO: 60" x 32" x 2-1/4" (1524 x 813 x 57mm)
Acrylic Shower Base Left Outlet
- AM801703400.213: 60" x 72" (1524 x 1829mm)
Frameless Shower Door with Easy-to-Clean™ Clear Glass
- 1202-008.XXX: Corner Shower Shelf-Brushed Metal
9" x 9" x 3-1/2" (229 x 229 x 89 mm)
- 1202-012.XXX: Shower Shelf-Brushed Metal
12" x 5" x 3" (305 x 127 x 76 mm)

SEE NEXT PAGE FOR ROUGHING-IN DIMENSIONS
AND PRODUCT SPECIFICATIONS

