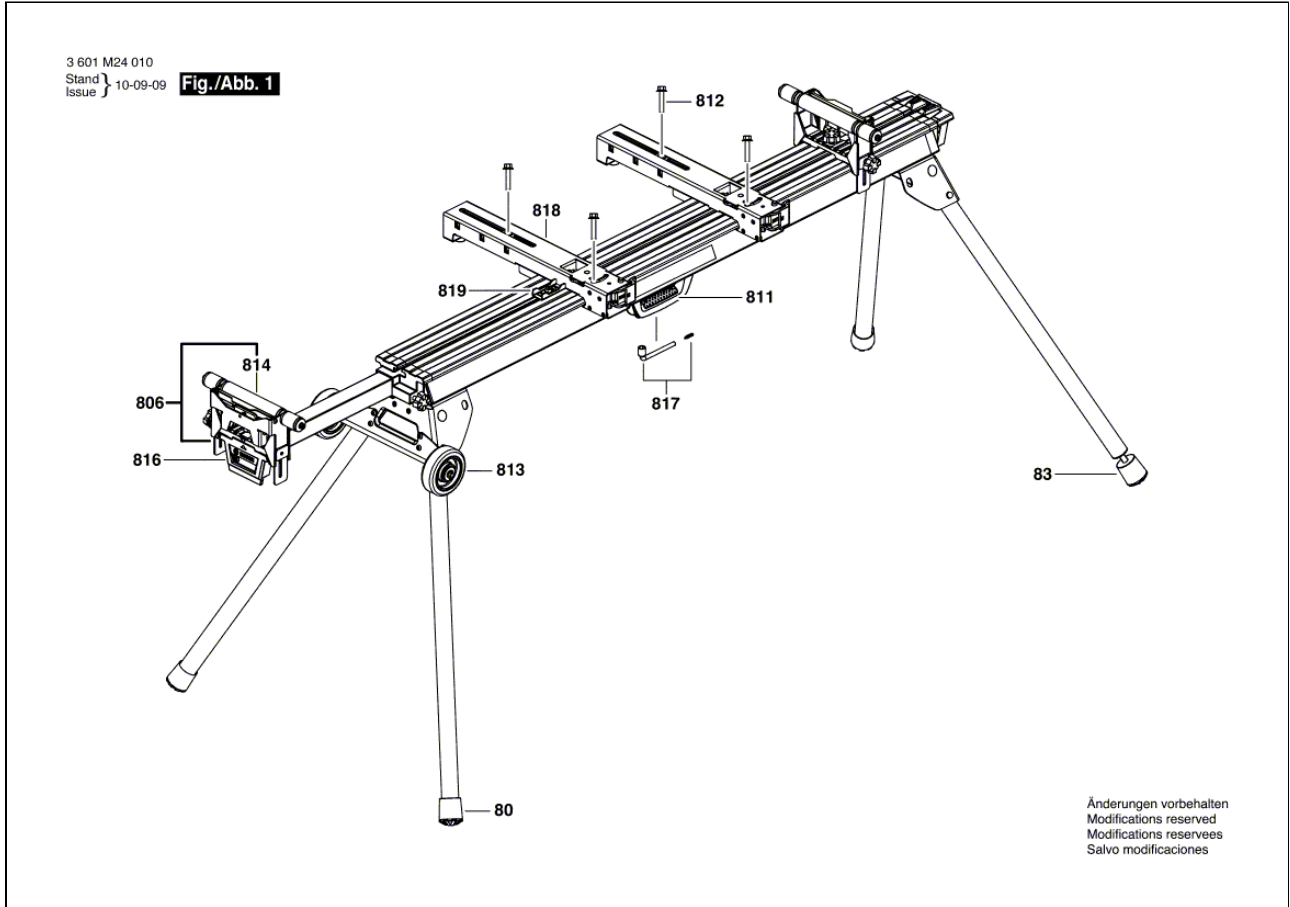


**COMPOUND MITRE SAW**  
**3 601 M24 010 GTA 3800**

08.10.2010 18:01:36



Item	Quantity	Order No.	Designation	Price group	Page
80	3	1 609 B01 931	RUBBER BUSHING		1
83	1	1 609 B01 932	Adjustable Foot		1
806	1	1 609 B01 850	WORKPIECE SUPPORT		1
811	1	1 609 B01 858	SET OF HANDLES		1
812	1	1 609 B01 859	HARDWARE PACKAGE		1
813	1	1 609 B01 854	WHEEL SET		1
814	1	1 609 B01 861	ROLLER SET		1
816	1	1 609 B01 864	END CAP		1
817	1	1 609 B01 857	WRENCH ATTACHMENT		1
818	2	2 610 948 622	MOUNTING DEVICE	38	1
819	1	1 609 B01 863	STOP BRACKET		1