

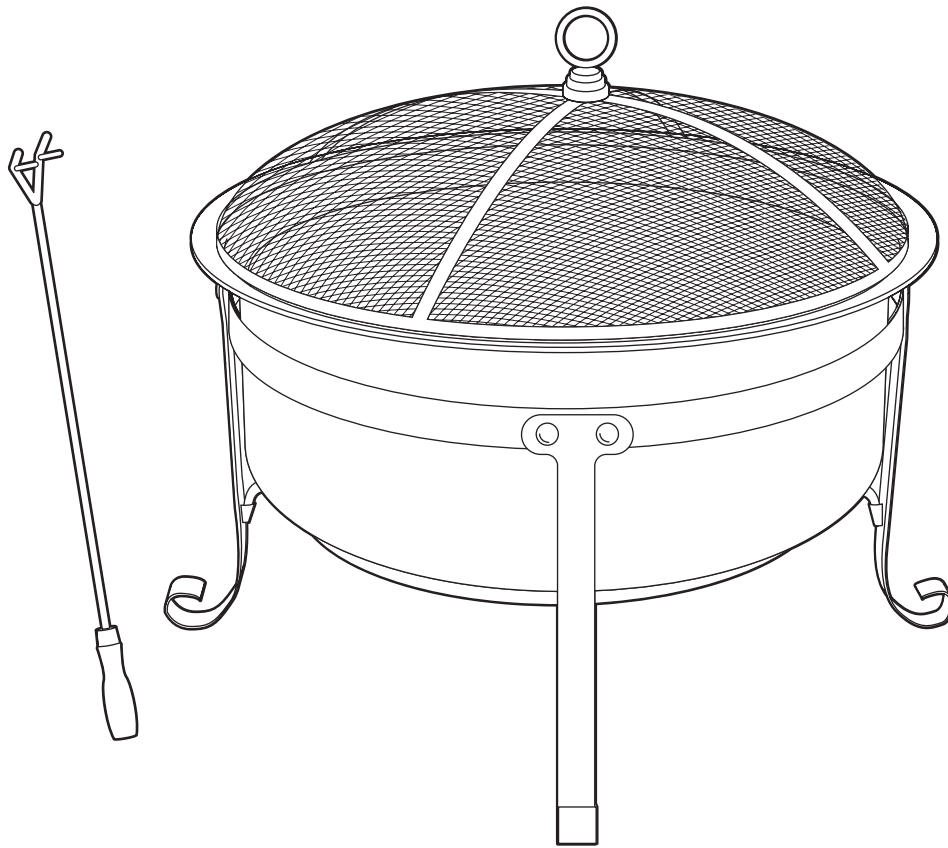


Item #1000-012-633

Model #AD544

USE AND CARE GUIDE

34 IN. STEEL CAULDRON FIREPLACE



Questions, problems, missing parts? Before returning to the store,
call Hampton Bay Customer Service
8 a.m. - 6 p.m., EST, Monday - Friday

1-855-HD-HAMPTON

HAMPTONBAY.COM

THANK YOU

We appreciate the trust and confidence you have placed in Hampton Bay through the purchase of this fireplace. We strive to continually create quality products designed to enhance your home. Visit us online to see our full line of products available for your home improvement needs.

Thank you for choosing Hampton Bay!

Table of Contents

Table Of Contents 2
Safety Information 2
 Precautions 2
Warranty 3
Pre-Assembly 4
 Planning Assembly 4

Package Contents 4
Assembly 5
Maintenance 6
Care And Cleaning 6


Safety Information

PRECAUTIONS


Please read and follow all instructions before assembling or using this product, particularly the safety statements. Failure to follow the instructions and warnings could result in damage to property, serious injury, or death.

Contact local authorities regarding possible burn restrictions before using this product.

Any modifications to this product will void the product warranty.


 **WARNING:** Do not use this unit on or near combustible surfaces or structures such as wood or composite decks, dry leaves or grass, vinyl or wood siding, etc.


 **WARNING:** Never use flammable accelerants, such as gasoline, alcohol, paint thinners, and kerosene to start a fire. Serious injury or property damage could result.


 **WARNING:** The screen lifting tool may become hot when in use! Failure to wear protective gloves may lead to injury. Always wear fire-resistant gloves when handling the hot metal screen and lifting tool.


 **WARNING:** Keep away from houses, garages, balconies, or overhangs.


 **WARNING:** Keep this product out of the reach of children.


 **WARNING:** This product is intended for outdoor use only. Never use this product in an enclosed area. The use of this product in unventilated areas will endanger your life.


 **WARNING:** Use this product on level, non-combustible surfaces only.


 **WARNING:** Keep away from all combustible materials including gasoline and other flammable liquids and vapors.


 **WARNING:** Do not overfill or use this product to burn leaves or trash.

 **WARNING:** Exercise the same care you would with an open fire.

 **WARNING:** Never leave this product unattended while hot or in use.

 **WARNING:** Completely extinguish the fire before leaving the fireplace. Ashes can remain hot for a long time after the fire is extinguished. Dispose of cold ashes properly.

 **WARNING:** Steel parts can remain hot for a long time after the fire is extinguished.

 **WARNING:** Avoid using this product during dry or windy conditions.

Warranty

LIMITED 1-YEAR WARRANTY

The manufacturer warrants this product to be free from defects in material and workmanship for a period of one (1) year from the date of original retail purchase. The manufacturer reserves the right to require that defective parts be returned, postage and or freight pre-paid, by the consumer, for review and examination. Defective or missing parts will not be replaced without proof of purchase.

This limited warranty is applicable to non-commercial residential use only in the United States. This warranty only applies to the functionality of the product, and does not cover cosmetic issues such as dents, scratches, corrosion, surface rust, or the discoloration of surfaces by heat, moisture, or exposure to sunlight. Regular maintenance of steel parts is required to maintain appearance. Surface rust, corrosion, or powder paint chipping on steel parts is not considered a manufacturing defect and is not covered under this warranty.

The manufacturer will not be responsible for any damage caused by misuse, abuse, neglect, alterations, repairs by unauthorized persons, use of non-manufacturer accessories or parts, commercial use, or failure to follow recommended care or maintenance instructions. Further, the warranty does not cover acts of nature, such as fire, flood, hurricanes, and tornadoes.

The manufacturer, at its option, will repair or replace the product or any component of the product found to be defective during the warranty period. Replacement will be made with a new or remanufactured product or component. If the product is no longer available, replacement may be made with a similar product of equal or greater value. This is your exclusive warranty. This warranty is valid for the original retail purchaser from the date of initial retail purchase and is not transferable. Keep the original sales receipt. Proof of purchase is required to obtain warranty service.

This warranty will not reimburse you for the cost of any inconvenience, personal injury or property damage. The manufacturer's **MAXIMUM** liability, in any event, shall not exceed the documented purchase price of the product paid by the original consumer. This warranty only applies to units purchased from an authorized retailer or re-seller.

Neither dealers nor the retail establishment selling this product has any authority to make any additional warranties or to promise remedies in addition to or inconsistent with those stated above.

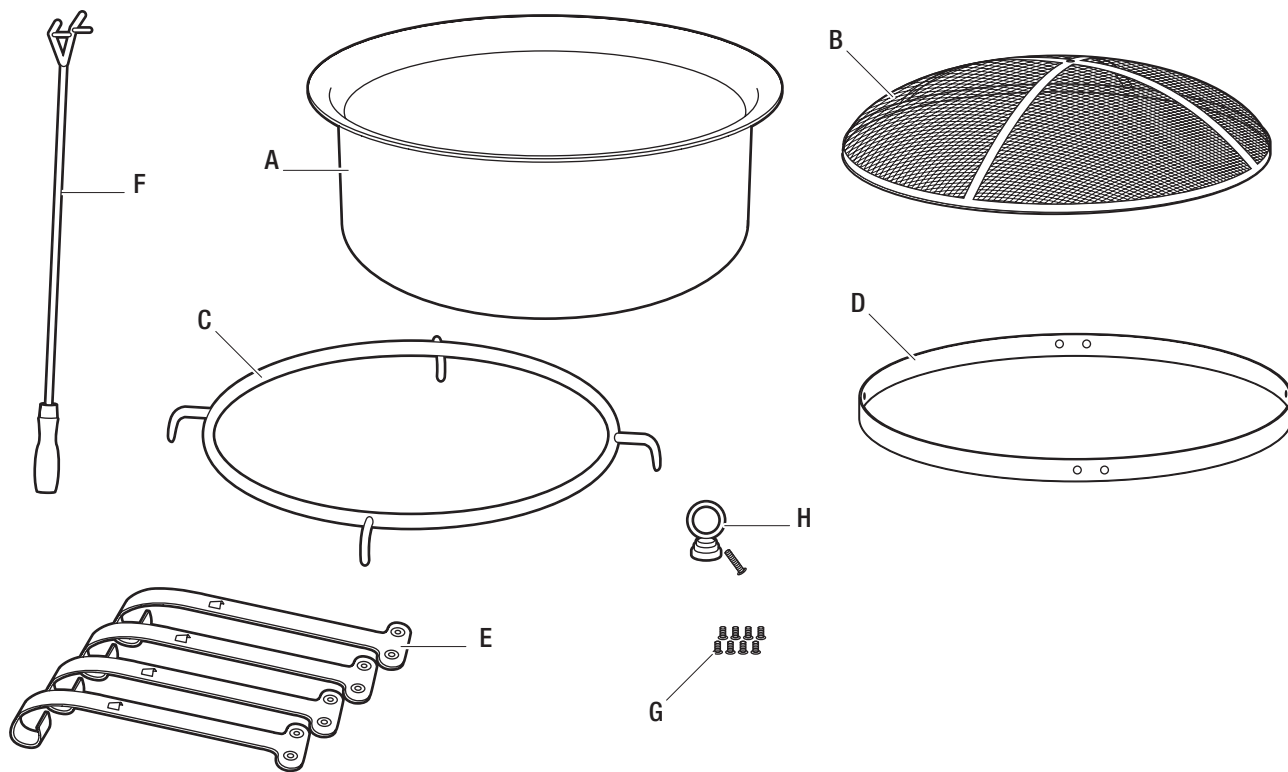
Contact the Customer Service Team at 1-855-HD-HAMPTON or visit www.HamptonBay.com.

Pre-Assembly

PLANNING ASSEMBLY

Carefully remove the fireplace from the packaging. Check all parts for damage and verify that all parts are included.

PACKAGE CONTENTS

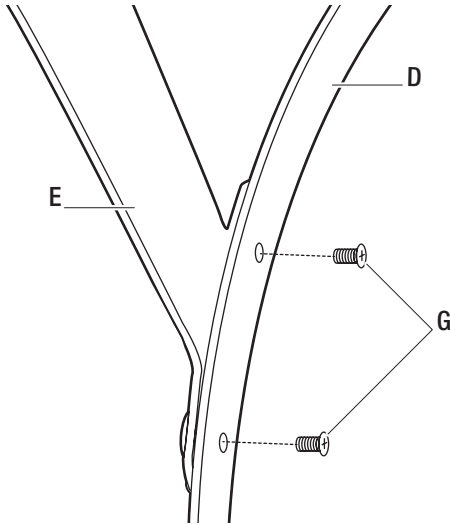


Part	Description	Quantity
A	Fire bowl	1
B	Spark screen	1
C	Leg support ring	1
D	Bowl support ring	1
E	Leg	4
F	Screen lifting tool	1
G	Leg bolt	8
H	Spark screen handle with bolt	1

Assembly

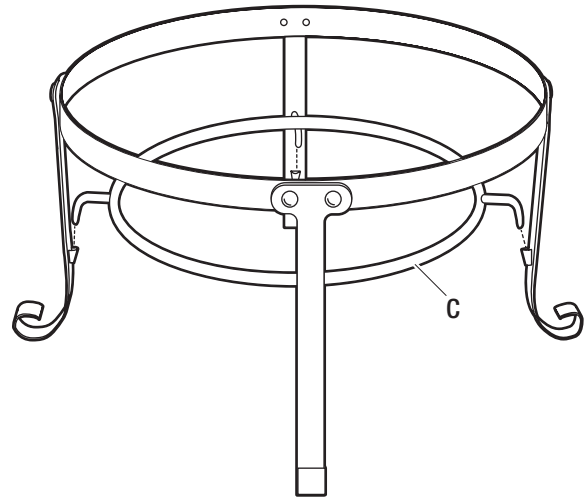
1 Attaching the legs

- Attach a leg (E) to the bowl support ring (D) with two leg bolts (G). Repeat for the remaining three legs (E).
- Tighten the bolts (G) with a Phillips screwdriver. Be careful not to strip the bolts by over tightening.



2 Attaching the leg support ring

- Turn the assembled stand right side up.
- Attach the leg support ring (C) to the interior leg brackets by sliding the rungs of the leg support ring (C) into place on each interior leg bracket. Ensure the leg support ring (C) is securely in place.

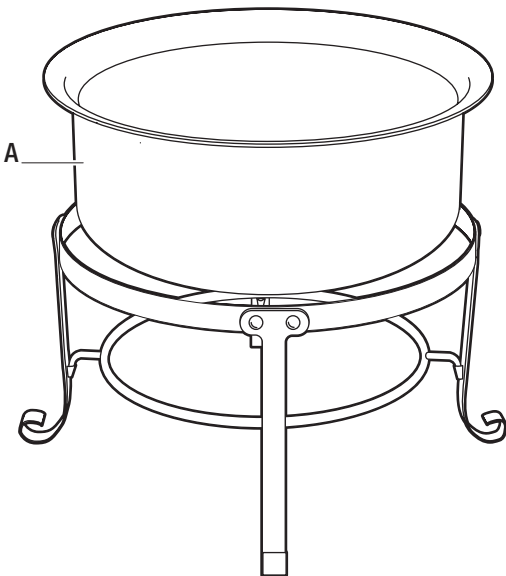


3 Attaching the bowl



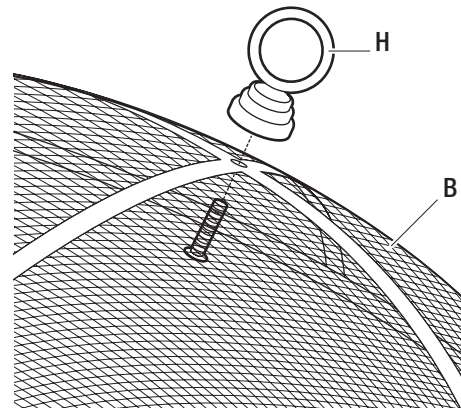
NOTE: The fire bowl is heavy and may require assistance.

- Place the bowl (A) on the assembled stand.



4 Attaching the spark screen handle

- Remove the preassembled bolt from the spark screen handle (H).
- Place the handle (H) on top of the spark screen (B).
- From underneath the spark screen (B), secure the handle (H) to the screen (B) by inserting the bolt up through the screen (B) and into the handle (H). Tighten the bolt with a Phillips screwdriver.



Maintenance

Periodic maintenance is required to return the painted steel surfaces to their original appearance:

- Remove any rust with sand paper or a steel brush.
- Repaint with grill paint suitable for high-temperature surfaces. Follow the manufacturer's instructions.
- Remove all properly-cooled ashes from the bottom of the fire bowl after each use.
- The steel spark screen and stand are painted with a durable high-temperature finish, but rusting will occur over time due to heat and moisture exposure. Rusting may occur more quickly in areas with a higher humidity. Regular maintenance is required to reduce the appearance of rust.

Care and Cleaning

- Clean the fire bowl with water and mild detergent. Do not use abrasive detergents or pads.
- When not in use, cover the fire bowl with the storage cover. (NOT INCLUDED)
- Store the fire bowl in a dry location out of the weather and elements when not in use for extended periods of time.



Questions, problems, missing parts? Before returning to the store,
call Hampton Bay Customer Service
8 a.m.-6 p.m., EST, Monday-Friday

1-855-HD-HAMPTON

HAMPTONBAY.COM

Retain this manual for future use.