

# 9-BIN ORGANIZER, COLOR Model No. WEB375 ASSEMBLY INSTRUCTIONS

## Weight Capacity

PER DRAWER: 11 lbs (5 kgs)

TOTAL ORGANIZER : 99 lbs (45 kgs)



## Customer Service

Tel 1.800.323.5565

Fax 1.310.533.3899

Monday through Friday 8:30AM-4:30PM (PST)



[www.SevilleClassics.com](http://www.SevilleClassics.com)

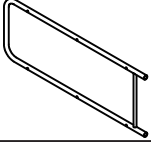
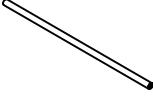
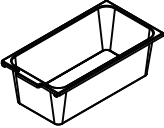
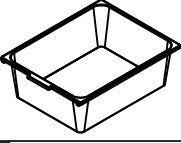






Seville Classics®, Inc.  
Torrance, CA 90501 USA  
[www.sevilleclassics.com](http://www.sevilleclassics.com)



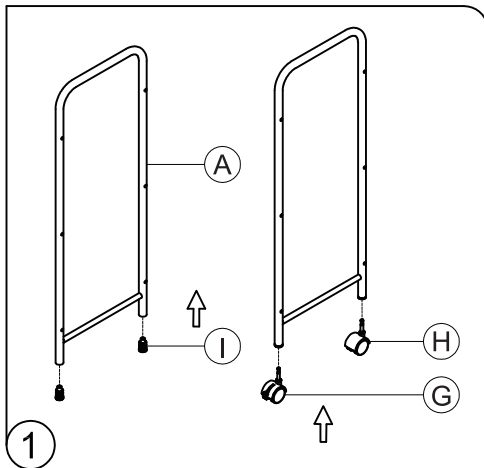
[www.SevilleClassics.com](http://www.SevilleClassics.com)  
Torrance, CA 90501 USA

[www.sevilleclassics.com](http://www.sevilleclassics.com)

Please make sure you have all the parts before assembly.

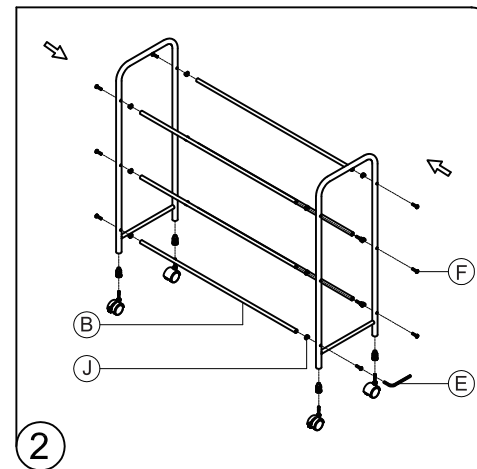
<b>A</b>	2 pcs	<b>B</b>	6 pcs	<b>C</b>	3 pcs	<b>D</b>	6 pcs
Side Frame		Support Bars		Narrow Drawers		Wide Drawers	
							
<b>E</b>	1 pc	<b>F</b>	12 pcs	<b>G</b>	2 pcs	<b>H</b>	2 pcs
Allen Wrench		Screws		Locking Wheels		Wheels	
							
<b>I</b>	4 pcs	<b>J</b>	12 pcs				
End Cap		Spacers					
							

### Assembly Instructions:



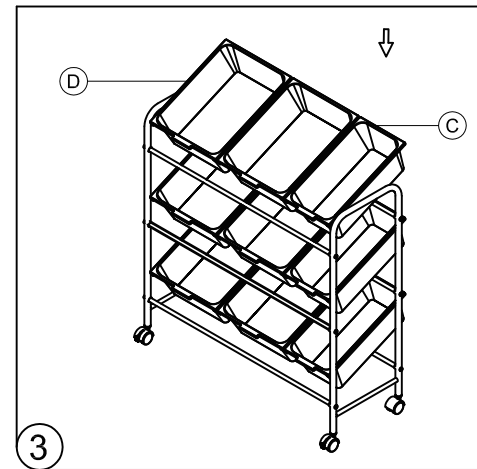
**Step 1:**  
Insert End Cap (I) into Side Frame (A).

Attach Wheels (G and H) to End Cap (I).



**Step 2:**  
With Spacers (J) in between Support Bars (B) and Side Frame from Step 1, use Screws (F) to secure with Allen Wrench (E).

**Note:** Make sure both Locking Wheels (G) are on the front side.



**Step 3:**  
Places Drawers (C and D) on Support Bars.