



DIGITAL INVERTER GENERATORS

FOR MODELS:
iGen1200, iGen2000,
iGen2500, iPro2500

California

Proposition 65 Warning

The engine exhaust from this product contains chemicals known to the state of California to cause cancer, birth defects or other reproductive harm.

California

Proposition 65 Warning

Certain components in this product and its related accessories contain chemicals known to the state of California to cause cancer, birth defects or other reproductive harm. Wash hands after handling.

DISCLAIMERS:

All information, illustrations and specifications in this manual are based on the latest information available at the time of publishing. The illustrations used in this manual are intended as representative reference views only. Moreover, because of our continuous product improvement policy, we may modify information, illustrations and/or specifications to explain and/or exemplify a product, service or maintenance improvement. We reserve the right to make any change at any time without notice. Some images may vary depending upon which model is shown.

ALL RIGHTS RESERVED:

No part of this publication may be reproduced or used in any form by any means – graphic, electronic or mechanical, including photocopying, recording, taping or information storage and retrieval systems – without the written permission of MWE Investments LLC.

DANGER



This manual contains important instructions for operating this generator. For your safety and the safety of others, be sure to read this manual thoroughly before operating the generator. Failure to properly follow all instructions and precautions can cause you and others to be seriously hurt or killed.

iGen TECHNICAL SPECIFICATIONS

Model Number	Running Watts	Peak Watts	Fuel Tank Size (L/G)	Rated Speed (RPM)	Ignition Type	Spark plug	Engine Disp (cc)	Stroke X Bore	Oil Capacity (L)	Oil Type	THD
iGEN 1200	1000	1200	3.0/.8	5200	CDI	A5RTC	54	40X43.5	0.35	10W30	<5%
iGEN 2000	1800	2000	4.5/1.2	5300	CDI	E6RTC	80	49X43	0.35	10W30	<5%
iGEN 2500	2200	2500	3.8/1.0	5500	CDI	E6RTC	98	52X46	0.35	10W30	<5%
iPRO 2500	2200	2500	3.8/1.0	5500	CDI	E6RTC	98	52X46	0.35	10W30	<5%

HAVE QUESTIONS?

Email us at service@wpowerreq.com
or call 1-855-944-3571

FOR YOUR RECORDS:

Date of Purchase:	
Inverter Model Number:	
Purchased from Store/Dealer:	
Inverter Serial Number:	

IMPORTANT: KEEP YOUR PURCHASE RECEIPT TO ENSURE TROUBLE-FREE WARRANTY COVERAGE.

PRODUCT REGISTRATION

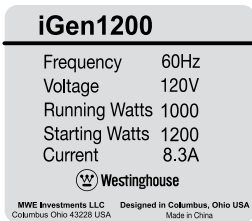
To ensure trouble-free warranty coverage, it is important you register your Westinghouse inverter. You can register your generator by either:

1. Filling in the product registration form below and mailing to:

Product Registration

MWE Investments LLC
 777 Manor Park Drive
 Columbus, Ohio 43228

2. Registering your product Online at www.westinghouseportablepower.com/register-your-product/
 To register your generator you will need to locate the following information:



Model Info Decal located on side panel.
 (See pages 7-8 for placement)



Serial Number which is located on
 bottom of muffler cover.

WESTINGHOUSE PRODUCT REGISTRATION FORM

PERSONAL INFORMATION

INVERTER INFORMATION

First Name: _____ Model Number: _____

Last Name: _____ Serial Number: _____

Street Address: _____ Date Purchased: _____

Street Address: _____ Purchased From: _____

City, State, ZIP: _____

Country: _____

Phone Number: _____

E-Mail: _____



TABLE OF CONTENTS

IGEN TECHNICAL SPECIFICATIONS	2	Storage	24
PRODUCT REGISTRATION	3	TROUBLESHOOTING	25
For Your Records:	3	EXPLODED AND ENGINE VIEWS	26
Product Registration	3	iGen1200 Exploded View	26
Product Registration Form	3	iGen1200 Engine View	27
SAFETY	5	iGen2000 Exploded View	28
Safety Definitions	5	iGen2000 Engine View	29
Safety Symbol Definitions	5	iGen2500 Exploded View	30
General Safety Rules	6	iGen2500 Engine View	31
Safety Labels and Decals	7		
UNPACKING	8		
FEATURES	9		
Basic Inverter Features iGen1200	9		
Control Panel Features iGen1200	9		
Basic Inverter Features iGen2000, iGen2500 & iPro2500	10		
Control Panel Features iGen2000	10		
Control Panel Features iGen2500	11		
Control Panel Features iPro2500	11		
OPERATION	12		
Powercord	13		
Inverter Paralleling Operation	13		
Initial Oil Fill	14		
Adding/Checking Engine Fluids and Fuel	15		
Checking and/or Adding Engine Oil	15		
Adding Gasoline to the Fuel Tank	15		
Starting the Inverter iGen1200	16		
Starting iGen2000, iGen2500 & iPro2500	17		
Using Efficiency Mode	17		
Resetting the Reset Breaker	17		
Stopping the Inverter	17		
MAINTENANCE	18		
Maintenance Schedule	18		
Engine Oil Maintenance	19		
Checking Engine Oil	19		
Adding Engine Oil	19		
Changing Engine Oil	20		
Air Filter Maintenance	21		
Cleaning the Air Filter	21		
Draining the Float Bowl	22		
Spark Plug Maintenance	22		
Cleaning the Spark Arrestor	23		
Checking and Adjusting Valve Lash	23		
Cleaning the Inverter	24		

SAFETY

SAFETY DEFINITIONS

The words DANGER, WARNING, CAUTION and NOTICE are used throughout this manual to highlight important information. Be certain that the meanings of these alerts are known to all who work on or near the equipment.



This safety alert symbol appears with most safety statements. It means attention, become alert, your safety is involved! Please read and abide by the message that follows the safety alerts symbol.

DANGER

Indicates a hazardous situation which, if not avoided, *will* result in death or serious injury.

WARNING

Indicates a hazardous situation which, if not avoided, *could* result in death or serious injury.

CAUTION

Indicates a hazardous situation which, if not avoided, *could* result in minor or moderate injury.

NOTICE

Indicates a situation which can cause damage to the generator, personal property and/or the environment, or cause the equipment to operate improperly.

NOTE: Indicates a procedure, practice or condition that should be followed in order for the generator to function in the manner intended.

SAFETY SYMBOL DEFINITIONS

Symbol	Description
	Safety Alert Symbol
	Asphyxiation Hazard
	Burn Hazard
	Burst/Pressure Hazard
	Don't leave tools in the area
	Electrical Shock Hazard
	Explosion Hazard
	Fire Hazard
	Lifting Hazard
	Pinch-Point Hazard
	Read Manufacturer's Instructions
	Read Safety Messages Before Proceeding
	Wear Personal Protective Equipment (PPE)

SAFETY

GENERAL SAFETY RULES

DANGER



Never use the inverter in a location that is wet or damp. Never expose the inverter to rain, snow, water spray or standing water while in use. Protect the inverter from all hazardous weather conditions. Moisture or ice can cause a short circuit or other malfunction in the electrical circuit.



Never operate the inverter in an enclosed area. Engine exhaust contains carbon monoxide. Only operate the inverter outside and away from windows, doors and vents.

WARNING



Voltage produced by the inverter could result in death or serious injury.

- Never operate the inverter in rain or a flood plain unless proper precautions are taken to avoid being subject to rain or a flood.
- Never use worn or damaged extension cords.
- Always have a licensed electrician connect the inverter to the utility circuit.
- Never touch an operating inverter if the inverter is wet or if you have wet hands.
- Never operate the inverter in highly conductive areas such as around metal decking or steel works.
- Always use grounded extension cords. Always use three-wire or double-insulated power tools.
- Never touch live terminals or bare wires while the inverter is operating.
- Be sure the inverter is properly grounded before operating.

WARNING



Gasoline and gasoline vapors are extremely flammable and explosive under certain conditions.

- Always refuel the generator outdoors, in a well-ventilated area.
- Never remove the fuel cap with the engine running.
- Never refuel the inverter while the engine is running. Always turn engine off and allow the generator to cool before refueling.
- Only fill fuel tank with gasoline.
- Keep sparks, open flames or other form of ignition (such as match, cigarette, static electric source) away when refueling.
- Never overfill the fuel tank. Leave room for fuel to expand. Overfilling the fuel tank can result in a sudden overflow of gasoline and result in spilled gasoline coming in contact with HOT surfaces. Spilled fuel can ignite. If fuel is spilled on the inverter, wipe up any spills immediately. Dispose of rag properly. Allow area of spilled fuel to dry before operating the inverter.
- Wear eye protection while refueling.
- Never use gasoline as a cleaning agent.
- Store any containers containing gasoline in a well-ventilated area, away from any combustibles or source of ignition.
- Check for fuel leaks after refueling. Never operate the engine if a fuel leak is discovered.

WARNING



Never operate the inverter if powered items overheat, electrical output drops, there is sparking, flames or smoke coming from the inverter, or if the receptacles are damaged.



Never use the inverter to power medical support equipment.



Always remove any tools or other service equipment used during maintenance from the inverter before operating.

NOTICE

Never modify the inverter.

Never operate the inverter if it vibrates at high levels, if engine speed changes greatly or if the engine misfires often.

Always disconnect tools or appliances from the inverter before starting.

SAFETY

SAFETY LABELS AND DECALS IGEN1200



1

NOTICE

- Stop the engine before refueling and clean any spilled fuel.
- Use OEM spark plug only. Please refer to your Owner's Manual.
- Spark plug replacement chart:

AutoLife	4194	Torch	ASRTC	GAP
Denso	6070	NGK	CR4HSS	.37 in .03 in

2

WARNING

- For safety, read Owner's Manual carefully. Failure to do so may result in injury and/or damage to inverter or property.

3

DANGER

Using a generator indoors **CAN KILL YOU IN MINUTES.**
Generator exhaust contains carbon monoxide. This is a poison you cannot see or smell.

NEVER use inside a home or garage, **EVEN IF** doors and windows are open.

Only use **OUTSIDE** and far away from windows, doors, and vents.

Avoid other generator hazards. **READ MANUAL BEFORE USE.**

4

For safety, carefully read the operation manual before operating this equipment:

- Do not operate this equipment in poorly ventilated areas.
- Do not direct exhaust fumes toward people, buildings or equipment.
- When refueling, always stop the engine.
- Immediately wipe up any spilled fuel.
- Keep any flammable items away from this equipment.
- Use gasoline with a minimum octane rating of 87. Check and refill oil as required to ensure proper inverter performance.
- Do not expose inverter directly to rain or snow.
- Do not touch or contact outlets with wet hands.
- Do not connect the AC output to any indoor wiring.
- When operating your inverter, do not erect any barriers or obstacles around the equipment or inhibit air or exhaust flow.

OIL	iGen1200
	Frequency 60Hz
	Voltage 120V
	Running Watts 1000
	Starting Watts 1200
	Current 8.3A
	<small>MWV Investments LLC. Designed in Columbus, Ohio USA Columbus Ohio 43228 USA Made in China</small>

5

WARNING

HOT SURFACES

SAFETY

SAFETY LABELS AND DECALS IGEN2000, IGEN2500 AND IPRO2500



1

NOTICE	
	<ul style="list-style-type: none"> Stop the engine before refueling and clean any spilled fuel. Use OEM spark plug only. Please refer to your Owner's Manual. Spark plug replacement chart:
AutoLite 4194	Torch ASRTC
Denso 6070	NGK CR4HSS

2

DANGER	
Using a generator indoors CAN KILL YOU IN MINUTES. Generator exhaust contains carbon monoxide. This is a poison you cannot see or smell.	
<p>NEVER use inside a home or garage, EVEN IF doors and windows are open.</p>	<p>Only use OUTSIDE and far away from windows, doors, and vents.</p>
Avoid other generator hazards. READ MANUAL BEFORE USE.	

5

<p>For safety, carefully read the operation manual before operating this equipment:</p> <ul style="list-style-type: none"> Do not operate this equipment in poorly ventilated areas. Do not direct exhaust fumes toward people, buildings or equipment. When refueling, always stop the engine. Immediately wipe up any spilled fuel. Keep any flammable items away from this equipment. Use gasoline with a minimum octane rating of 87. Check and refill oil as required to ensure proper inverter performance. Do not expose inverter directly to rain or snow. Do not touch or contact outlets with wet hands. Do not connect the AC output to any indoor wiring. When operating your inverter, do not erect any barriers or obstacles around the equipment or inhibit air or exhaust flow. 											
<p>OIL</p> <p>Oil Capacity iGen2500 .37 QT 11.8 OZ 350 ML</p> <p>SAE10W-30</p>	<p>iGen2500</p> <table border="1"> <tr> <td>Frequency</td> <td>60Hz</td> </tr> <tr> <td>Voltage</td> <td>120V</td> </tr> <tr> <td>Running Watts</td> <td>2200</td> </tr> <tr> <td>Starting Watts</td> <td>2500</td> </tr> <tr> <td>Current</td> <td>18.3A</td> </tr> </table> <p> Westinghouse</p> <p><small>Westinghouse Investments LLC Designed in Columbus, Ohio USA Columbus, Ohio 43228, USA Made in China</small></p>	Frequency	60Hz	Voltage	120V	Running Watts	2200	Starting Watts	2500	Current	18.3A
Frequency	60Hz										
Voltage	120V										
Running Watts	2200										
Starting Watts	2500										
Current	18.3A										

3

WARNING
<ul style="list-style-type: none"> For safety, read Owner's Manual carefully. Failure to do so may result in injury and/or damage to inverter or property.

4

WARNING
<p>HOT SURFACES</p>

UNPACKING

CAUTION	
	Always have assistance when lifting the inverter. The inverter is heavy; lifting it could cause bodily harm.
	Avoid cutting on or near staples to prevent personal injury.

Tools required – box cutter or similar device.

- Carefully cut the packing tape on top of the carton.
- Remove tool kit, oil and funnel and save for later.
- Carefully cut two sides of the carton to remove the inverter.

WHAT COMES IN THE BOX

- Tool Bag (1)
- Screw Driver (1)
- Owner Manual (1)
- Warranty Information (1)
- Quick Start Guide (1)
- Funnel (1)
- Bottle of 10W-30 Oil (1)

FEATURES

BASIC INVERTER FEATURES IGEN1200



- ① **Control Panel:** Contains the reset breaker, outlets and warning lights.
- ② **Spark Plug Access Cover:** Remove the cover to service the spark plug.
- ③ **Recoil Handle:** Pull to start the engine.
- ④ **Engine/Fuel Control Switch:** Turns the engine and the fuel on and off.
- ⑤ **Fuel Cap and Vent:** Open the vent to run the engine and close the vent when the engine is off.
- ⑥ **Engine Service Panel:** Remove the panel to access the engine for maintenance.
- ⑦ **Muffler and Spark Arrestor:** Avoid contact until the engine is cooled down. The spark arrestor prevents sparks from exiting the muffler. It must be removed for servicing.

CONTROL PANEL FEATURES IGEN1200

- ① **120-Volt, 20-Amp Duplex Outlet (NEMA 5-20R):** The outlet is capable of carrying a maximum of 20 amps.
- ② **USB Duplex:** 5V DC that come with 1 and 2.1 amp rating.
- ③ **Reset Breaker:** If the inverter is overloaded, the reset breaker will trip. The engine will continue to run, but there will be no output from the inverter. Unplug the devices and reduce the load. Push in the reset breaker to reset it.
- ④ **Efficiency Mode Switch:** When turned to the ON position, the engine will sense the load needed and run at a slower RPM to save fuel.
- ⑤ **Ground Terminal:** The ground terminal is used to externally ground the inverter.
- ⑥ **Output Ready LED:** Indicates the inverter is ready to be used.
- ⑦ **Overload LED:** Indicates that the inverter is overloaded.
- ⑧ **Low Oil LED:** Indicates low oil level.



FEATURES

BASIC INVERTER FEATURES IGEN2000, IGEN2500 AND IPRO2500



- ① **Fuel Cap and Vent:** Open the vent to run the engine and close the vent when the engine is off.
- ② **Control Panel:** Contains the reset breaker, outlets and warning lights.
- ③ **Spark Plug Access Cover:** Remove the cover to service the spark plug.
- ④ **Recoil Handle:** Pull to start the engine.
- ⑤ **Engine/Fuel Control Switch:** Turns the engine and the fuel on and off.
- ⑥ **Engine Service Panel:** Remove the panel to access the engine for maintenance.
- ⑦ **Muffler and Spark Arrestor:** Avoid contact until the engine is cooled down. The spark arrestor prevents sparks from exiting the muffler. It must be removed for servicing.
- ⑧ **Engine Cooling Vents:** Helps move airflow in unit to regulate engine temperatures.
- ⑨ **Recoil Handle Protective Cover:** Prevents pull cord wire from damaging inverter body.

CONTROL PANEL FEATURES IGEN2000

- ① **120-Volt, 20-Amp Duplex Outlet (NEMA 5-20R):** The outlet is capable of carrying a maximum of 20 amps.
- ② **USB Duplex:** 5V DC that come in 1 amps and 2.1 amps.
- ③ **Reset Breaker:** If the inverter is overloaded, the reset breaker will trip. The engine will continue to run, but there will be no output from the inverter. Unplug the devices and reduce the load. Push in the reset breaker to reset it.
- ④ **Efficiency Mode Switch:** When turned to the ON position, the engine will sense the load needed and run at a slower RPM to save fuel.
- ⑤ **Ground Terminal:** The ground terminal is used to externally ground the inverter.
- ⑥ **Low Oil LED:** Indicates low oil level.
- ⑦ **Overload LED:** Indicates that the inverter is overloaded.
- ⑧ **Output Ready LED:** Indicates the inverter is ready to be used.
- ⑨ **Fuel Control and Choke Switch:** Turn position to CHOKE to start the engine, and turn to RUN position once the engine is running. Switch to OFF to stop inverter.



FEATURES

CONTROL PANEL FEATURES IGEN2500

- ① **120-Volt, 20-Amp Duplex Outlet (NEMA 5-20R):** The outlet is capable of carrying a maximum of 20 amps.
- ② **USB Duplex:** 5V DC that come in 1 amps and 2.1 amps.
- ③ **Reset Breaker:** If the inverter is overloaded, the reset breaker will trip. The engine will continue to run, but there will be no output from the inverter. Unplug the devices and reduce the load. Push in the reset breaker to reset it.
- ④ **Efficiency Mode Switch:** When turned to the ON position, the engine will sense the load needed and run at a slower RPM to save fuel.
- ⑤ **Ground Terminal:** The ground terminal is used to externally ground the inverter.
- ⑥ **Fuel Control and Choke Switch:** Turn position to CHOKE to start the engine, and turn to RUN position once the engine is running. Switch to OFF to stop inverter.
- ⑦ **LED Data Center:** Indicates low oil, overload and output ready. Displays fuel level, power output percentage, run time, and lifetime run hours.



CONTROL PANEL FEATURES IPRO2500

- ① **120-Volt, 20-Amp Duplex GFCI Outlet:** The outlet is GFCI with a Reset and Test button. It is capable of carrying a maximum of 20 amps.
- ② **USB Duplex:** 5V DC that come in 1 amps and 2.1 amps.
- ③ **Reset Breaker:** If the inverter is overloaded, the reset breaker will trip. The engine will continue to run, but there will be no output from the inverter. Unplug the devices and reduce the load. Push in the reset breaker to reset it.
- ④ **Efficiency Mode Switch:** When turned to the ON position, the engine will sense the load needed and run at a slower RPM to save fuel.
- ⑤ **Ground Terminal:** The ground terminal is used to externally ground the inverter.
- ⑥ **Low Oil LED:** Indicates low oil level.
- ⑦ **Overload LED:** Indicates that the inverter is overloaded.
- ⑧ **Output Ready LED:** Indicates the inverter is ready to be used.
- ⑨ **Fuel Control and Choke Switch:** Turn position to CHOKE to start the engine, and turn to RUN position once the engine is running. Switch to OFF to stop inverter.



OPERATION

BEFORE STARTING THE INVERTER



BEFORE STARTING THE INVERTER, REVIEW SAFETY SECTION STARTING ON PAGE 5.

Location Selection – Before starting the inverter, avoid exhaust and location hazards by verifying:

- You have selected a location to operate the inverter that is outdoors and well ventilated.
- You have selected a location with a level and solid surface on which to place the inverter.
- You have selected a location that is at least 6 feet (1.8 m) away from any building, other equipment or combustible material.
- If the inverter is located close to a building, make sure it is not located near any windows, doors and/or vents.

⚠ DANGER

Using a generator indoors
CAN KILL YOU IN MINUTES.

Generator exhaust contains carbon monoxide.
This is a poison you cannot see or smell.



NEVER use inside a home or garage, **EVEN IF** doors and windows are open.



Only use **OUTSIDE** and far away from windows, doors, and vents.

Avoid other generator hazards.
READ MANUAL BEFORE USE.

⚠ WARNING



Always operate the inverter on a level surface. Placing the inverter on non level surfaces can cause the inverter to tip over, causing fuel and oil to spill. Spilled fuel can ignite if it comes in contact with an ignition source such as a very hot surface.

NOTICE

Only operate the inverter on a solid, level surface. Operating the inverter on a surface with loose material such as sand or grass clippings can cause debris to be ingested by the inverter that could:

- Block cooling vents
- Block air intake system

Weather – Never operate your inverter outdoors during rain, snow or any combination of weather conditions that could lead to moisture collecting on, in or around the generator.

Dry Surface – Always operate the inverter on a dry surface free of any moisture.

No Connected Loads – Make sure the inverter has no connected loads before starting it. To ensure there are no connected loads, unplug any electrical extension cords that are plugged into the control panel receptacles.

NOTICE

Starting the inverter with loads already applied to it could result in damage to any appliance being powered off the inverter during the brief start-up period.

Grounding the iGen Inverters

Consult with your local municipalities for your grounding codes.

Grounding the iPro2500

When using the iPRO2500 equipped with the GFCI receptacle a ground rod may be required to be connected to the control panel ground stud to prevent nuisance tripping of the GFCI receptacle.

⚠ WARNING



Be sure the inverter is properly connected to earth ground before operating.

OPERATION

POWERCORD

Using Extension Cords

Westinghouse Portable Power assumes no responsibility for the content within this table. The use of this table is the responsibility of the user only. This table is intended for reference only. The results produced by using this table are not guaranteed to be correct or applicable in all situations as the type and construction of cords are highly variable. Always check with local regulations and a licensed electrician prior to installing or connecting an electrical appliance

Extension Cord Wire Gauge Size

AMPS	LENGTH OF EXTENSION CORD (ft)								
	10	20	30	40	50	60	80	100	120
5	20	18	16	14	12	12	10	10	8
10	18	16	14	12	12	10	10	8	8
15	16	14	12	12	10	10	8	8	6
20	14	12	12	10	10	8	8	6	6
25	12	12	10	10	8	8	6	6	6
30	12	10	10	8	8	6	6	6	6
35	10	10	8	8	6	6	6	6	6

INVERTER PARALLELING OPERATION

DANGER

Never connect the paralleling cord to the inverters with the inverters running. The inverters must not be running and both the paralleling cord switches must be off when connecting the cords.

WARNING

Do not attempt to parallel the Westinghouse inverter with any other manufacturers' inverters. Do not use the paralleling cord for any application other than inverter paralleling. Do not use this cord on other manufacturers' inverters.

Always ensure that both ends of the paralleling cord are switched off before connecting the inverters.

INVERTER PARALLELING OPERATION

1. Using only the Westinghouse paralleling cord (Part No. 260041) with both cord switches set to **OFF** (O), connect one male plug to one inverter and connect the remaining plug into the other inverter. Either of the receptacles on the inverters can be used.
2. Start one of the inverters and wait until the ready light is on.
3. Turn both cord switches to ON (I).
4. Start the remaining inverter; wait until the ready light is on before connecting the load.
5. When power is present, a light will illuminate in the three-prong plug that is plugged into the inverter.
6. To stop the inverters, unplug all connected loads, turn both cord switches to **OFF** (O) and unplug the cord on each inverter.
7. If during operation the inverters' output is stopped due to overloading, reduce the connected load by unplugging appliances, and then push the reset button and restart the inverter. When the ready light is on, the load can be reconnected.

OPERATION

INITIAL OIL FILL



BEFORE ADDING ENGINE OIL, REVIEW SAFETY SECTION STARTING ON PAGE 5.

NOTICE

Engine oil must be added when the inverter is on a flat, level surface, or an inaccurate reading may result. Do not overfill. If the engine is overfilled with oil, it can cause serious engine damage.

iGen1200

1. Loosen the screw and remove the engine service panel to access the oil fill/drain plug (see Figure 1).



Figure 1: *iGen1200 Engine Service Panel*

2. Clean area around oil fill/drain plug and remove plug.
3. Using the supplied funnel and oil, pour the entire bottle of oil into the engine. See correct oil level in Figure 2 below.

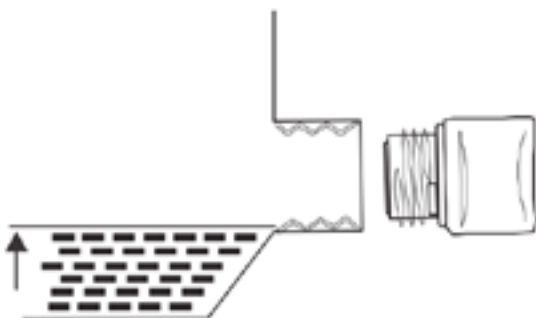


Figure 2: *Engine Oil Correct Level*

4. Do not overfill, if oil level is too high, oil will drain out through the fill plug.

iGen2000, iGen2500 & iPro2500

1. Loosen the screw and remove the engine oil fill/drain plug service panel to access the oil fill/drain plug (see Figure 3)



Figure 3: *Engine Service Panel*

2. Clean the area around the oil fill/drain plug and remove plug (See Figure 4).

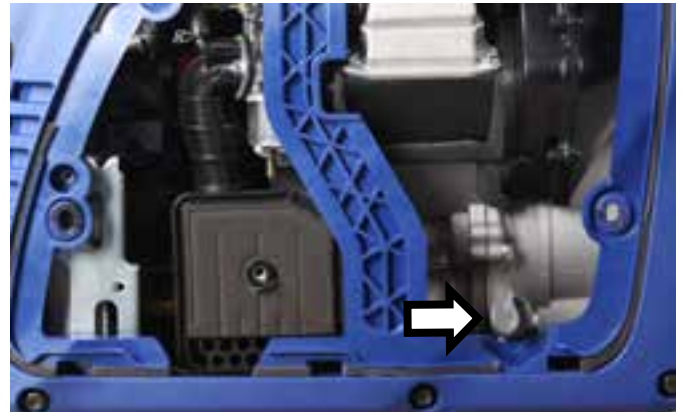


Figure 4: *Oil Fill/Drain Plug*

3. Using the supplied funnel and oil, pour the entire bottle of oil into the engine (see Figure 4).



Figure 5: *Oil Funnel*

4. Do not overfill, if oil level is too high, oil will drain out through the fill plug. See correct oil level in Figure 2.

OPERATION

ADDING/CHECKING ENGINE FLUIDS AND FUEL



BEFORE ADDING/CHECKING ENGINE FLUIDS AND FUEL, REVIEW SAFETY SECTION STARTING ON PAGE 5.

DANGER



Filling the fuel tank with gasoline while the inverter is running can cause gasoline to leak and come in contact with hot surfaces that can ignite the gasoline.

Before starting the inverter, always check the level of:

- Engine oil
- Gasoline in the fuel tank

Once the inverter is started and the engine gets warm, it is not safe to add gasoline to the fuel tank or engine oil to the engine while the engine is running or the engine and muffler are hot.

CHECKING AND / OR ADDING ENGINE OIL

WARNING



Internal pressure can build in the engine crankcase while the engine is running. Removing the oil fill plug/dipstick while the engine is hot can cause extremely hot oil to spray out of the crankcase and can severely burn skin. Allow engine oil to cool for several minutes before removing the oil fill plug/dipstick.

The unit as shipped does not contain oil in the engine. You must add engine oil before starting the inverter for the first time. See *Initial Oil Fill* on page 14 for instructions on checking engine oil level and the procedure for adding engine oil.

NOTICE

The engine does not contain engine oil as shipped. Attempting to start the engine without adding engine oil will permanently damage internal engine components.

The engine is equipped with a low oil shutdown switch. If the oil level becomes low, the engine may shut down and not start until the oil is filled to the proper level.

The owner of the inverter is responsible to ensure the proper oil level is maintained during the operation of the generator. Failure to maintain the proper oil level can result in engine damage.

ADDING GASOLINE TO THE FUEL TANK

WARNING



Never refuel the inverter while the engine is running.



Always turn the engine off and allow the inverter to cool before refueling.

CAUTION



Avoid prolonged skin contact with gasoline. Avoid prolonged breathing of gasoline vapors.

Required Gasoline – Only use gasoline that meets the following requirements:

- Unleaded gasoline only
- Gasoline with maximum 10% ethanol added
- Gasoline with an 87 octane rating or higher

Filling the Fuel Tank – Follow the steps below to fill the fuel tank:

1. Shut off the inverter.
2. Allow the inverter to cool down so all surface areas of the muffler and engine are cool to the touch.
3. Move the inverter to a flat surface.
4. Clean area around the fuel cap.
5. Remove the fuel cap by rotating counterclockwise.

NOTICE

Do not overfill the fuel tank. Spilled fuel will damage some plastic parts.

6. Slowly add gasoline into the fuel tank. Be very careful not to overfill the tank. The gasoline level should NOT be higher than the red ring (see Figure 6).
7. Install the fuel cap by rotating clockwise.

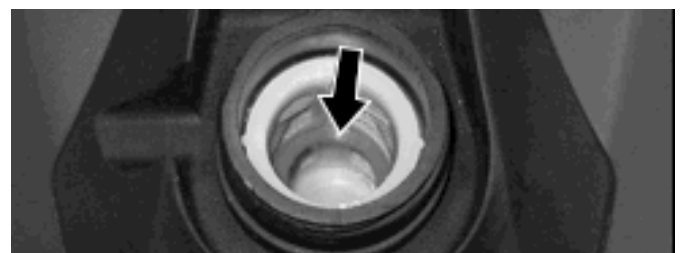


Figure 6: Maximum Gasoline Fill Level

OPERATION

STARTING THE INVERTER



BEFORE STARTING THE INVERTER, REVIEW SAFETY SECTION STARTING ON PAGE 5.

For proper starting and operation of the inverter, make sure you review the inverter features and their descriptions starting on page 9.

NOTE: For the iGen1200, upon initial start-up or when out of fuel, fill the inverter to the full level. If there is only a half tank of fuel, the fuel system will need to be primed. To prime the fuel system, turn the engine/fuel control switch to the ON position and pull the recoil handle 5 to 6 times.

Before attempting to start the inverter, verify the following:

- The engine is filled with engine oil (see Figure 2: *Engine Oil Correct Level* on page 14).
- The inverter is situated in a proper location (see *Location Selection* on page 12).
- The inverter is on a dry surface (see *Weather and Dry Surface* on page 12).
- All loads are disconnected from the inverter (see *No Connected Loads* on page 12).
- The inverter is properly grounded (see *Grounding the Inverter* on page 12)

DANGER



Never use the inverter in a location that is wet or damp. Never expose the inverter to rain, snow, water spray or standing water while in use. Protect the inverter from all hazardous weather conditions. Moisture or ice can cause a short circuit or other malfunction in the electrical circuit.



Never operate the inverter in an enclosed area. Engine exhaust contains carbon monoxide. Only operate the inverter outside and away from windows, doors and vents.

Starting iGen1200

1. Turn the fuel tank vent to the **ON** position (see Figure 7).



Figure 7: Turn Fuel Vent to ON

2. Turn the engine/fuel control switch to the **ON** position (see Figure 8).



Figure 8: Turn Engine/Fuel Switch to ON Position

3. Move the choke lever to the **CHOKE** position (see Figure 9).

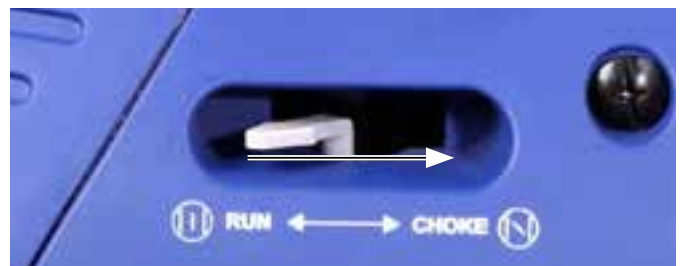


Figure 9: Move Choke Lever to CHOKE

4. Firmly grasp and pull the recoil handle slowly until you feel increased resistance. At this point, apply a rapid pull while pulling out from the inverter (see Figure 10).



Figure 10: Pull the Recoil Handle out from Inverter

5. As the engine starts and stabilizes, gradually push the choke lever back in to the **RUN** position.

OPERATION

Starting iGen2000, iGen2500 & iPro2500

1. Turn the fuel tank vent to the **ON** position (see Figure 11).



Figure 11: Turn Fuel Vent to ON

2. Turn the engine/fuel control switch to the **CHOKE** position (see Figure 12).



Figure 12: Turn Engine/Fuel Switch to CHOKE Position

3. Firmly grasp and pull the recoil handle slowly until you feel increased resistance. At this point, apply a rapid pull while pulling out from the inverter (see Figure 13).



Figure 13: Pull the Recoil Handle out from Inverter

4. As the engine starts and stabilizes, turn the choke switch back in to the **RUN** position (see Figure 14).



Figure 14: Turn Engine/Fuel Switch to RUN

USING EFFICIENCY MODE

The inverter is equipped with an efficiency mode switch to minimize fuel consumption. In efficiency mode, the inverter will sense the load and adjust the engine RPM to the current load requirements. Efficiency mode should be used only after the inverter has been warmed up to operating temperature.

1. To turn on the efficiency mode, press the switch to the ON position).
2. If no load is present, the inverter RPM will drop down to an idle speed.
3. As a load is applied, the inverter will sense the load and engine RPM will increase according to the load applied.
4. To run the inverter at maximum power and RPM, press the efficiency mode switch to the OFF position.

RESETTING THE RESET BREAKER

The inverter will trip the breaker and automatically disconnect from the load when the controls sense a predetermined overload condition. The inverter engine will continue to run, but there will not be any electrical output.

1. Turn off all devices and unplug them from the inverter.
2. Determine the wattage required from the devices being powered by the inverter. Make sure the wattage required does not exceed the maximum output of the inverter.
3. Press in the reset breaker to reset it.
4. Plug the devices in to the inverter.
5. Turn on the devices as needed.

STOPPING THE INVERTER

Normal Operation

During normal operation, use the following steps to stop your inverter:

6. Remove any connected loads from the control panel receptacles.
7. Allow the inverter to run at “no load” to reduce and stabilize engine and alternator temperatures.
8. Move the engine control switch to the **OFF** position.
9. Turn the fuel tank vent to the **OFF** position.






During an Emergency



If there is an emergency and the inverter must be stopped quickly, move the engine control switch to the **OFF** position immediately.



MAINTENANCE



BEFORE PERFORMING MAINTENANCE ON THE INVERTER, REVIEW THE SAFETY SECTION STARTING ON PAGE 5, AS WELL AS THE FOLLOWING SAFETY MESSAGES.

 WARNING	
	Avoid accidentally starting the inverter during maintenance by removing the spark plug boot from the spark plug. For electric start inverters, also disconnect the battery cables from the battery (disconnect the black negative (-) cable first) and place the cables away from the battery posts to avoid arcing.
	Allow hot components to cool to the touch prior to performing any maintenance procedure.
	Internal pressure can build in the engine crankcase while the engine is running. Removing the oil fill plug/dipstick while the engine is hot can cause extremely hot oil to spray out of the crankcase and can severely burn skin. Allow engine oil to cool for several minutes before removing the oil fill plug/dipstick.
	Always perform maintenance in a well-ventilated area. Gasoline fuel and fuel vapors are extremely flammable and can ignite under certain conditions.

 CAUTION	
	Avoid skin contact with engine oil or gasoline. Prolonged skin contact with engine oil or gasoline can be harmful. Frequent and prolonged contact with engine oil may cause skin cancer. Take protective measures and wear protective clothing and equipment. Wash all exposed skin with soap and water.

 WARNING	
	Failure to perform periodic maintenance or not following maintenance procedures can cause the inverter to malfunction and could result in death or serious injury.

NOTICE	
Periodic maintenance intervals vary depending on inverter operating conditions. Operating the inverter under severe conditions, such as sustained high-load, high-temperature, or unusually wet or dusty environments, will require more frequent periodic maintenance. The intervals listed in the maintenance schedule should be treated only as a general guideline.	

Following the maintenance schedule is important to keep the inverter in good operating condition. The following is a summary of maintenance items by periodic maintenance intervals.

TABLE 1: MAINTENANCE SCHEDULE - OWNER PERFORMED

Maintenance Item	Before Every Use	After First 20 Hours or First Month of Use	After 50 Hours of Use or Every 6 Months	After 100 Hour of Use or Every 6 Months	After 300 Hours of Use or Every Year
Engine Oil	Check Level	Change	Change	-	-
Cooling Features	Check/Clean	-	-	-	-
Air Filter	Check	-	Clean*	-	Replace
Spark Plug	-	-	-	Check/Clean	Replace
Spark Arrestor	-	-	-	Check/Clean	-

*Service more frequently if operating in dry and dusty conditions

MAINTENANCE

ENGINE OIL MAINTENANCE

Engine Oil Specification

1. Only use the engine oil specified in Figure 14.
2. Only use 4-stroke/cycle engine oil. **NEVER USE 2-STROKE/CYCLE OIL.** Synthetic oil is an acceptable substitute for conventional oil.

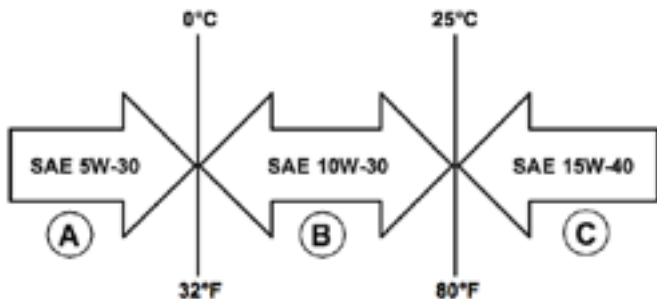


Figure 14: Recommended Oil

CHECKING ENGINE OIL

NOTICE

Always maintain proper engine oil level. Failure to maintain proper engine oil level could result in severe damage to the engine and/or shorten the life of the engine.

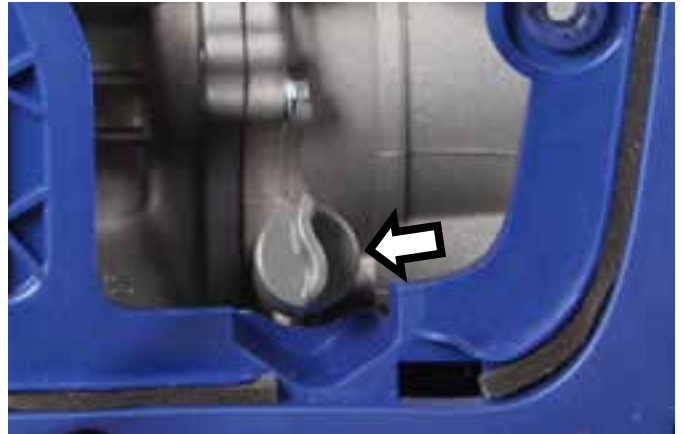
Always use the specified engine oil. Failure to use the specified engine oil can cause accelerated wear and/or shorten the life of the engine.

Engine oil level should be checked before every use.

1. Always operate or maintain the inverter on a flat surface.
2. Stop engine if running.
3. Let engine sit and cool for several minutes (allow crankcase pressure to equalize).
4. Remove the engine service panel to access the oil fill/drain plug.
5. With a damp rag, clean around the oil fill/drain plug.
6. Remove the oil fill/drain plug.



Oil Fill/Drain Plug iGen1200



Oil Fill/Drain Plug iGen2000, iGen2500 & iPro2500

7. Check oil level: When checking the engine oil, remove the oil fill/ drain plug.
 - The oil level is acceptable if oil is visible at the bottom of the threads of the oil fill plug.
 - If oil level is low, add to the correct level using the supplied oil fill bottle. Do not overfill the oil crankcase.

NOTICE

Engine oil must always be checked and added when the inverter is on a flat, level surface, or an inaccurate reading may result, causing serious engine damage.

ADDING ENGINE OIL

8. Always operate or maintain the inverter on a flat surface.
9. Stop engine if running.
10. Let engine sit and cool for several minutes (allow crankcase pressure to equalize).
11. Remove the engine service panel to gain access to the oil fill/drain plug.
12. Thoroughly clean around the oil fill/drain plug.
13. Remove the oil fill/drain plug.
14. Select the proper engine oil as specified in Figure 14.
15. Using the supplied oil funnel, slowly add engine oil to the engine. Stop frequently to check the oil level and avoid overfilling.

MAINTENANCE



Oil Fill/Drain Funnel iGen1200

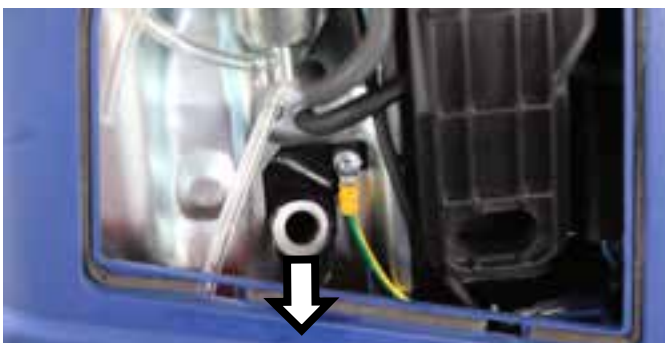


Oil Fill/Drain Funnel iGen2000, iGen2500 & iPro2500

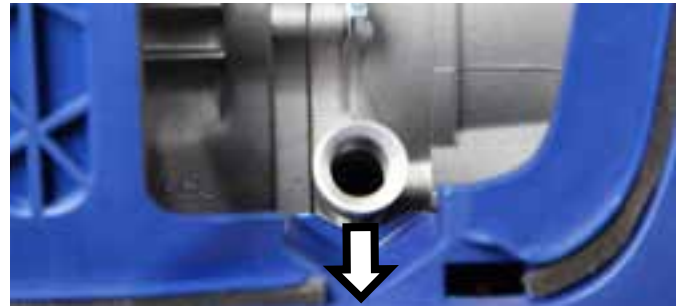
1. Continue to add oil until the oil is at the correct level (see Figure 2 on page 14).

CHANGING ENGINE OIL

1. Stop the engine.
2. Let engine sit and cool for several minutes (allow crankcase pressure to equalize).
3. Remove the engine service panel to gain access to the oil fill/drain plug.
4. Place oil pan (or suitable container) under the oil fill/drain plug.
5. With a damp rag, thoroughly clean around the oil fill/drain plug.
6. Tilt the inverter so the oil drains down the through into the container.



Drain Oil iGen1200



Drain Oil iGen2000, iGen2500 & iPro2500

7. Allow oil to completely drain.
8. Fill crankcase with oil following the steps outlined in *Adding Engine Oil* on page 19
9. Dispose of used engine oil properly.

NOTICE

Never dispose of used engine oil by dumping the oil into a sewer, on the ground, or into groundwater or waterways. Always be environmentally responsible. Follow the guidelines of the EPA or other governmental agencies for proper disposal of hazardous materials. Consult local authorities or reclamation facility.

MAINTENANCE

AIR FILTER MAINTENANCE

WARNING



Never use gasoline or other flammable solvents to clean the air filter. Use only household detergent soap to clean the air filter.

Cleaning the Air Filter

The air filter must be cleaned after every 50 hours of use or 3 months (frequency should be increased if inverter is operated in a dusty environment).

1. Turn off the inverter and let it cool for several minutes if running.
2. Remove the engine service panel to gain access to the air filter.
3. Release the tabs for the air cleaner cover and tip the cover down.



iGen1200 Air Filter



iGen2000, iGen2500 & iPro2500 Air Filter

4. Remove the foam element from the air cleaner housing.

5. Wash the foam air filter element by submerging the element in a solution of household detergent soap and warm water. Slowly squeeze the foam to thoroughly clean.

NOTICE

NEVER twist or tear the foam air filter element during cleaning or drying. Only apply slow but firm squeezing action.

6. Rinse in clean water by submerging the air filter element in fresh water and applying a slow squeezing action (see Figure 15).



Figure 15

NOTICE

Never dispose of soap cleaning solution used to clean the air filter by dumping the solution into a sewer, on the ground, or into ground water or waterways. Always be environmentally responsible. Follow the guidelines of the EPA or other governmental agencies for proper disposal of hazardous materials. Consult local authorities or reclamation facility.

7. Dispose of used soap cleaning solution properly.
8. Dry the air filter element by again applying a slow firm squeezing action.
9. Return the air filter element to its position in the air cleaner housing.
10. Install the air cleaner cover, making sure the tabs lock into place.
11. Install the engine service panel.

MAINTENANCE

DRAINING THE FLOAT BOWL

1. Remove the engine service panel to access the carburetor.
2. Locate the clear plastic hose from the float that is exiting out the bottom of the inverter, and place a suitable container under it to catch the drained fuel.
3. Loosen the float bowl drain screw until fuel is seen draining from the float bowl.



iGen1200 Float Bowl Drain Screw



iGen2000, iGen2500 & iPro2500 Float Bowl Drain Screw

4. Allow fuel to drain into the container, and then tighten the float bowl drain screw.

NOTICE

Never dispose of fuel by dumping fuel into a sewer, on the ground, or into groundwater or waterways. Always be environmentally responsible. Follow the guidelines of the EPA or other governmental agencies for proper disposal of hazardous materials. Consult local authorities or reclamation facility.

5. Install the engine service panel.

SPARK PLUG MAINTENANCE

The spark plug must be checked and cleaned after every 100 hours of use or 6 months and must be replaced after 300 hours of use or every year.

1. Stop the inverter and let it cool for several minutes if running.
2. Move the inverter to a flat, level surface.
3. Slide the spark plug access cover off the housing.



iGen2000, iGen2500 & iPro2500 Spark Plug Access Cover



iGen1200 Spark Plug Access Cover

4. Remove the spark plug boot by firmly pulling the plastic spark plug boot handle directly away from the engine.

NOTICE

Never apply any side load or move the spark plug laterally when removing the spark plug. Applying a side load or moving the spark plug laterally may crack and damage the spark plug boot.

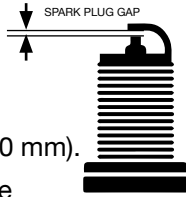
5. Clean area around the spark plug.
6. Using the spark plug socket wrench provided, remove the spark plug from the cylinder head.



MAINTENANCE

Spark Plug Maintenance - Continued from page 22

7. Place a clean rag over the opening created by the removal of the spark plug to make sure no dirt can get into the combustion chamber.
8. Inspect the spark plug for:
 - Cracked or chipped insulator
 - Excessive wear
 - Spark plug gap of 0.032 in. (0.80 mm).



If the spark plug fails any one of the conditions listed above, replace the plug.

NOTICE

Only use the recommended spark plug (Torch A5RTC or equivalent). See chart below. Using a non-recommended spark plug could result in damage to the engine.

9. Install the spark plug by carefully following the steps outlined below:
 - a. Carefully insert the spark plug back into the cylinder head. Hand-thread the spark plug until it bottoms out.
 - b. Using the spark plug socket wrench provided, turn the spark plug to ensure it is fully seated.
 - c. Replace the spark plug boot, making sure the boot fully engages the spark plug's tip.
 - d. Install the spark plug access cover.

Recommended Spark Plug Replacement:

Westinghouse Model Number	Torch Spark plug	Champion	Bosch	Autolite
iGen1200	A5RTC	RZ10YC	U4BC	2795
iGen2000 iGen2500 iPro2500	E6RTC	RL12Y	W6B	284

CLEANING THE SPARK ARRESTOR

Check and clean the spark arrestor after every 100 hours of use or 6 months.

1. Stop the inverter and let it cool for several minutes if running.
2. Move the inverter to a flat, level surface.
3. Remove the screws holding the muffler cover in place.
4. Loosen the clamp holding the spark arrestor onto the muffler. (On iGen1200 unscrew the screw holding in the internal spark arrestor).
5. Slide the spark arrestor band clamp off the spark arrestor screen.



iGen2000, iGen2500 & iPro2500 Muffler Cover

iGen1200 Muffler Cover

6. Pull the spark arrestor screen off the muffler exhaust pipe.
7. Using a wire brush, remove any dirt and debris that may have collected on the spark arrestor screen.
8. If the spark arrestor screen shows signs of wear (rips, tears or large openings in the screen), replace the spark arrestor screen.
9. Install the spark arrestor components in the following order:
 - a. Place spark arrestor screen over the muffler exhaust pipe. Push on the screen until it fully bottoms out.
 - b. Place the spark arrestor band clamp over the screen and tighten with a flathead screwdriver
10. Replace the discharge gate.

CHECKING AND ADJUSTING VALVE LASH

⚠ CAUTION



Checking and adjusting valve lash must be done when the engine is cold.

1. Remove the rocker arm cover and carefully remove the gasket. If the gasket is torn or damaged, it must be replaced.
2. Remove the spark plug so the engine can be rotated more easily.
3. Rotate the engine to top dead center (TDC) of the compression stroke. Looking through the spark plug hole, the piston should be at the top.
4. Both the rocker arms should be loose at TDC on the compression stroke. If they are not, rotate the engine 360°.

MAINTENANCE

5. Insert a feeler gauge between the rocker arm and the push rod and check for clearance (see Figure 16). See Table 2 for valve lash specifications

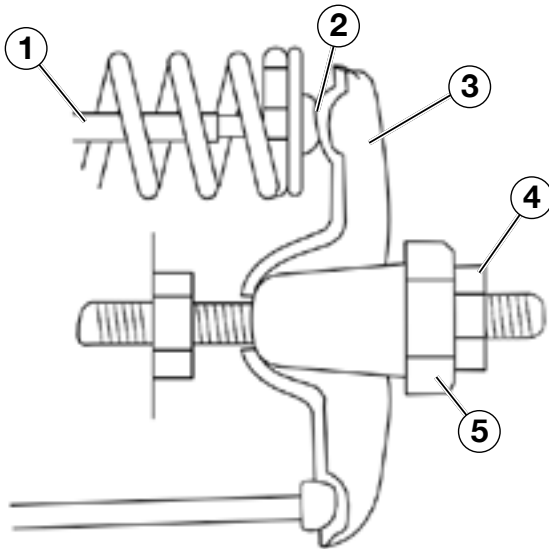


Figure 16

(1) Push Rod, (2) Feeler Gauge Area
(3) Rocker Arm, (4) Jam Nut, (5) Adjusting Nut

Standard Valve Lash

	Intake Valve	Exhaust Valve
Valve Lash	0.06-0.10mm	0.08-0.12mm
Bolt Torque	8-12N.m	8-12N.m

6. If an adjustment is required, hold the adjusting nut and loosen the jam nut.
7. Turn the adjusting nut to obtain the correct valve lash. When the valve lash is correct, hold the adjusting nut and tighten the jam nut to 106 in-lb (12 N•m).
8. Recheck the valve lash after tightening the jam nut.
9. Perform this procedure for both the intake and exhaust valves.
10. Install the rocker arm cover, gasket and spark plug.

CLEANING THE INVERTER

It is important to inspect and clean the inverter before every use.

Clean All Engine Air Inlet and Outlet Ports – Make sure all engine air inlet and outlet ports are clean of any dirt and debris to ensure the engine does not run hot.

STORAGE

⚠ WARNING



Never store an inverter with fuel in the tank indoors or in a poorly ventilated area where the fumes can come in contact with an ignition source such as a: 1) pilot light of a stove, water heater, clothes dryer or any other gas appliance; or 2) spark from an electric appliance.

NOTICE

Gasoline stored for as little as 60 days can go bad, causing gum, varnish and corrosive buildup in fuel lines, fuel passages and the engine. This corrosive buildup restricts the flow of fuel, preventing an engine from starting after a prolonged storage period.

Proper care should be taken to prepare the inverter for any storage

1. Clean the inverter as outlined in *Cleaning the Inverter*.
2. Siphon all gasoline from the fuel tank as best as possible.
3. Start the engine and allow the inverter to run until all the remaining gasoline in the fuel lines and carburetor is consumed and the engine shuts off.
4. Drain any remaining fuel from the float bowl. See *Draining the Float Bowl* on page 22.
5. Change the oil (see *Changing Engine Oil* on page 20).
6. Remove the spark plug (see *Spark Plug Maintenance* on page 22) and place about 1 tablespoon of oil in the spark plug opening. While placing a clean rag over the spark plug opening, slowly pull the recoil handle to allow the engine to turn over several times. This will distribute the oil and protect the cylinder wall from corroding during storage.
7. Replace the spark plug (see *Spark Plug Maintenance* on page 22).
8. Move the inverter to a clean, dry place for storage.

TROUBLESHOOTING

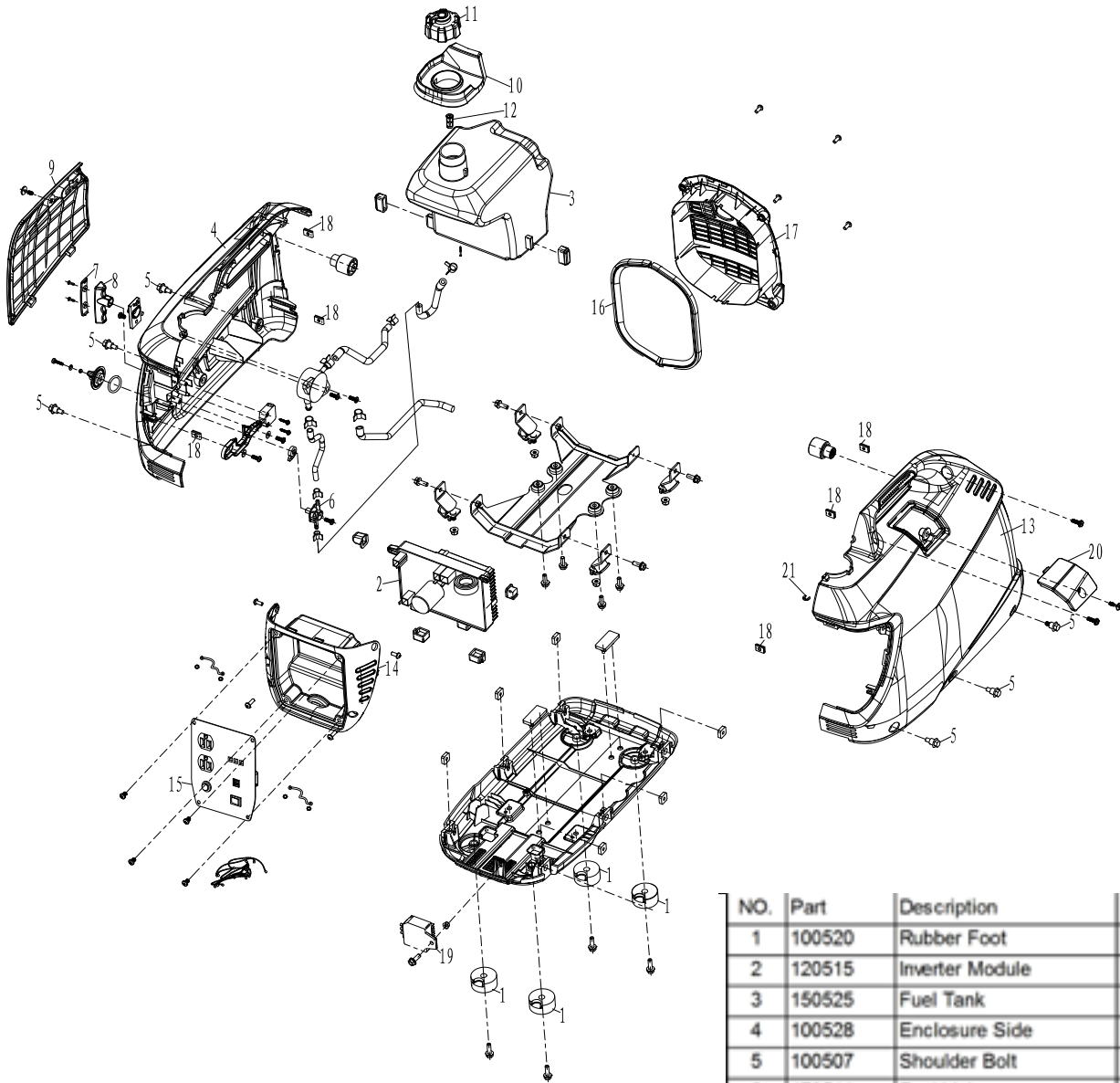
WARNING



Before attempting to service or troubleshoot the generator, the owner or service technician must first read the owner's manual and understand and follow all safety instructions. Failure to follow all instructions may result in conditions that can lead to voiding of the EPA certification or product warranty, serious personal injury, property damage or even death.

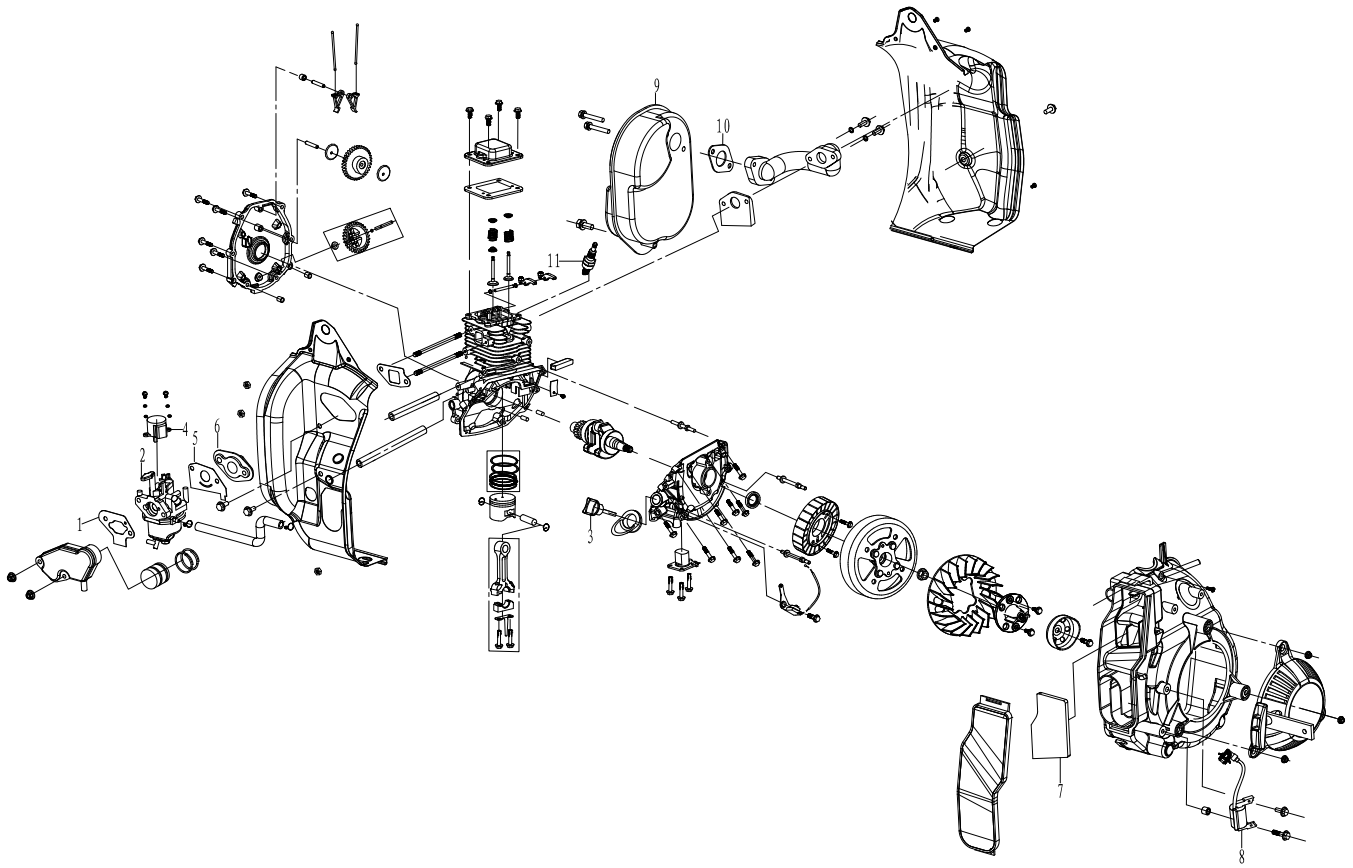
PROBLEM	POTENTIAL CAUSE	SOLUTION
Engine is running, but no electrical output.	1. Reset breaker is tripped.	1. Reset the reset breaker (see page 17).
	2. The power cord's plug connector is not fully engaged in the inverter's outlet.	2. Verify plug connector is firmly engaged in the inverter's outlet.
	3. Faulty or defective power cord	3. Replace power cord.
	4. Faulty or defective electrical appliance	4. Try connecting a known good appliance to verify the inverter is producing electrical power.
Engine will not start or remain running while trying to start.	1. Inverter is out of gasoline.	1. Add gasoline to the inverter (see page 15).
	2. Fuel flow is obstructed.	2. Inspect and clean fuel delivery passages.
	3. Dirty air filter	3. Check and clean the air filter (see page 21).
	4. Low oil level shutdown switch is preventing the unit from starting.	4. Check oil level and add oil if necessary (see page 19).
	5. Spark plug boot is not fully engaged with the spark plug tip.	5. Firmly push down on the spark plug boot to ensure the boot is fully engaged.
	6. Spark plug is faulty.	6. Remove and check the spark plug. Replace if faulty (see pages 22-23).
	7. Dirty/plugged spark arrestor	7. Check and clean the spark arrestor (see page 23).
	8. Stale fuel	8. Drain fuel and replace with fresh fuel.
Inverter suddenly stops running.	1. Inverter is out of fuel.	1. Check fuel level (see page 15). Add fuel if necessary.
	2. The low oil shut down switch has stopped the engine.	2. Check oil level and add oil if necessary (see page 19).
	3. Too much load	3. Restart the inverter and reduce the load.
Engine runs erratic; does not hold a steady RPM.	1. Choke was left in the CHOKE position.	1. Move choke to the RUN position
	2. Dirty air filter	2. Clean the air filter (see page 21).
	3. Applied loads maybe cycling on and off	3. As applied loads cycle, changes in engine speed may occur; this is a normal condition.

iGen1200 EXPLODED VIEW



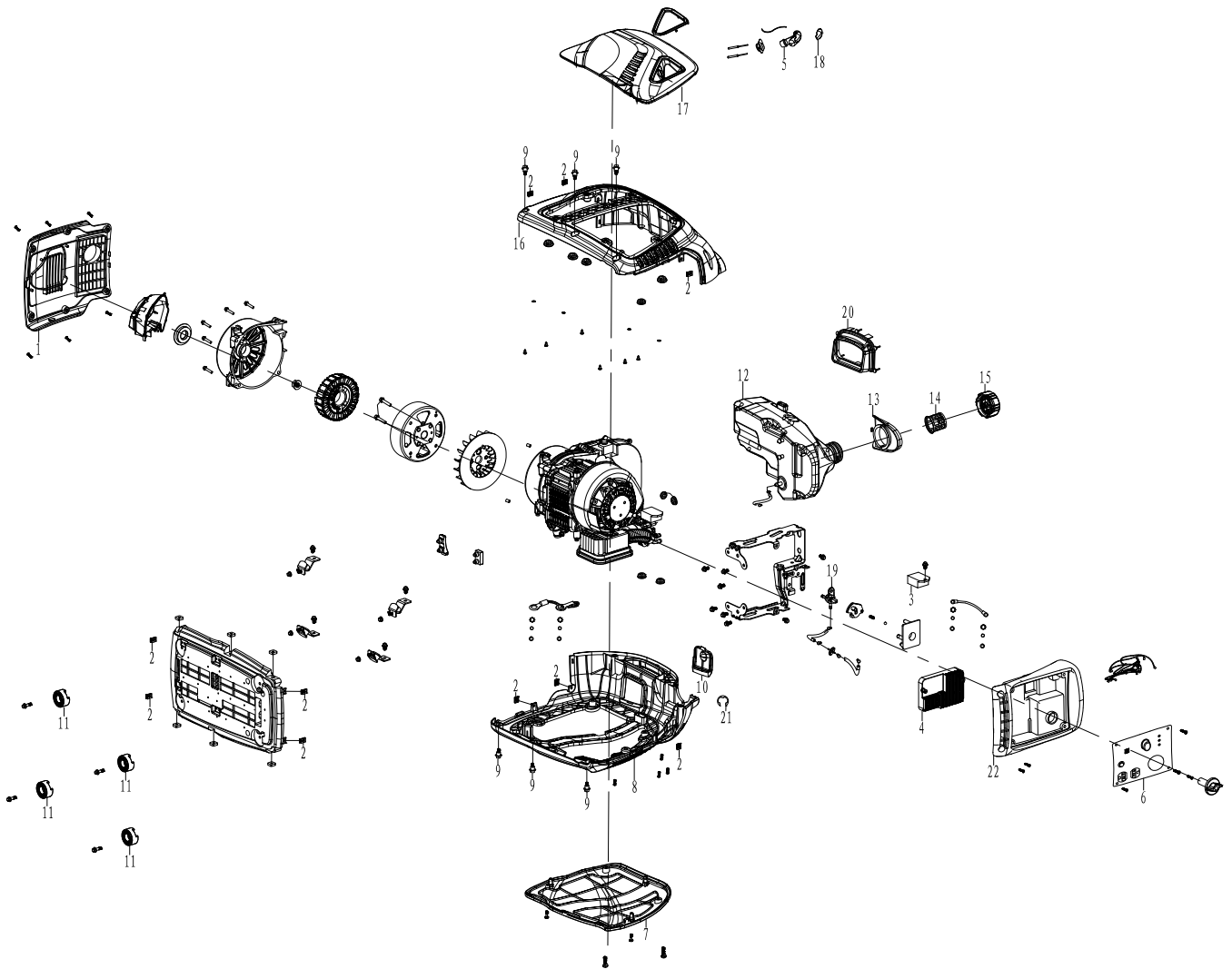
NO.	Part	Description	Quantity
1	100520	Rubber Foot	4
2	120515	Inverter Module	1
3	150525	Fuel Tank	1
4	100528	Enclosure Side	1
5	100507	Shoulder Bolt	6
6	170511	Fuel Valve	1
7	170509	Grip Cover	1
8	170510	Starter Grip	1
9	100526	Side Panel	1
10	150524	Splash Guard	1
11	150523	Fuel Cap	1
12	150525	Fuel Fill Marker	1
13	100539	Enclosure Side	1
14	100554	Intake Grate	1
15	130522	Control Panel	1
16	100532	Foam Seal	1
17	1005311	Discharge Grate	1
18	100514	J Clip	6
19	130523	DC Regulator	1
20	100534	Inspection Cover	1
21	100517	E Clip	1

iGen1200 ENGINE VIEW



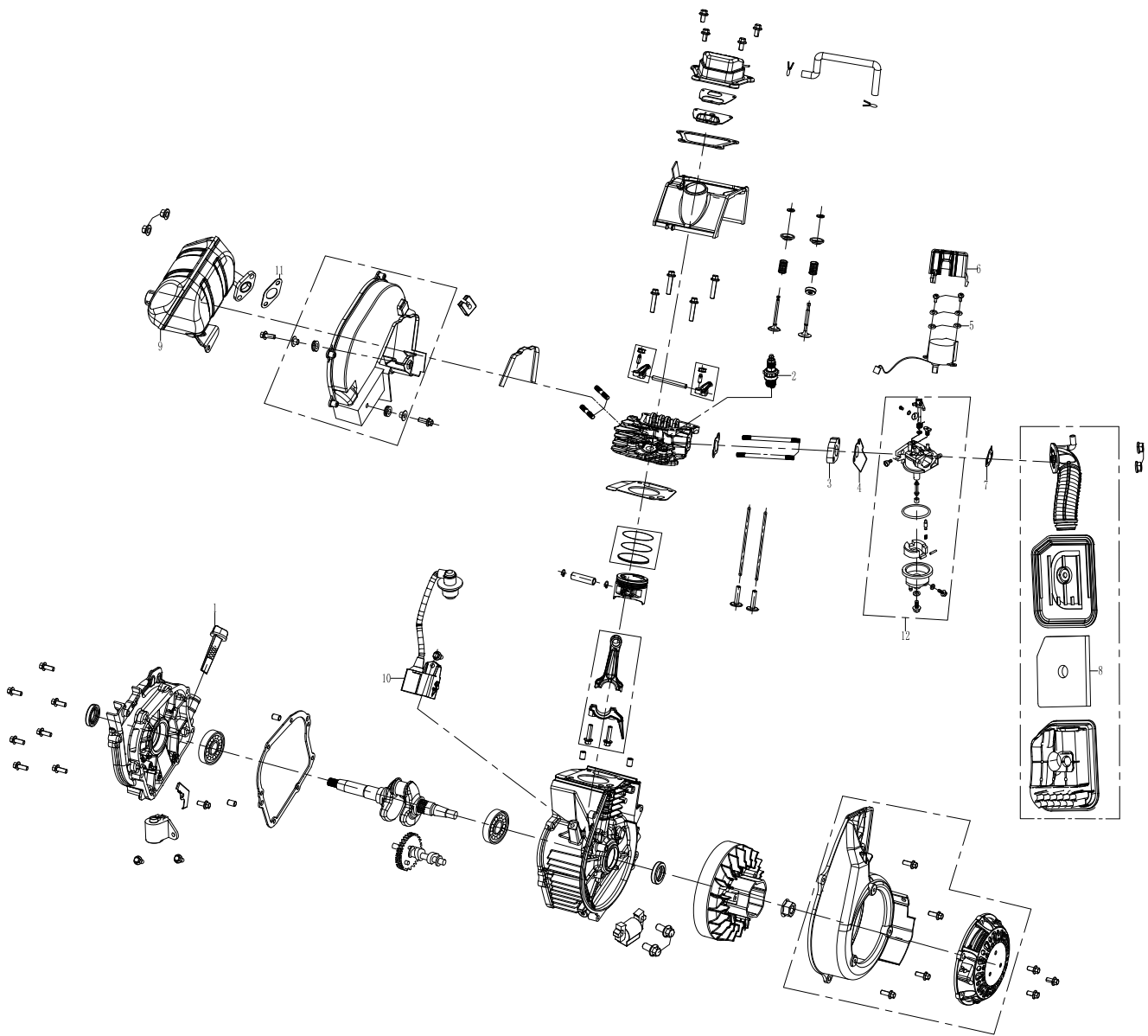
NO.	Part	Description	quantity
1	140528	Gasket	1
2	140524	Carburetor Assy	1
3	180577	Dip Stick	1
4	140527	Stepper Motor	1
5	140525	Gasket	1
6	140526	Spacer	1
7	160502	Air Filter Element	1
8	180575	Ignition Coil	1
9	110508	Muffler Assy	1
10	110509	Gasket	1
11	180576	Spark Plug	1

iGen2000 EXPLODED VIEW



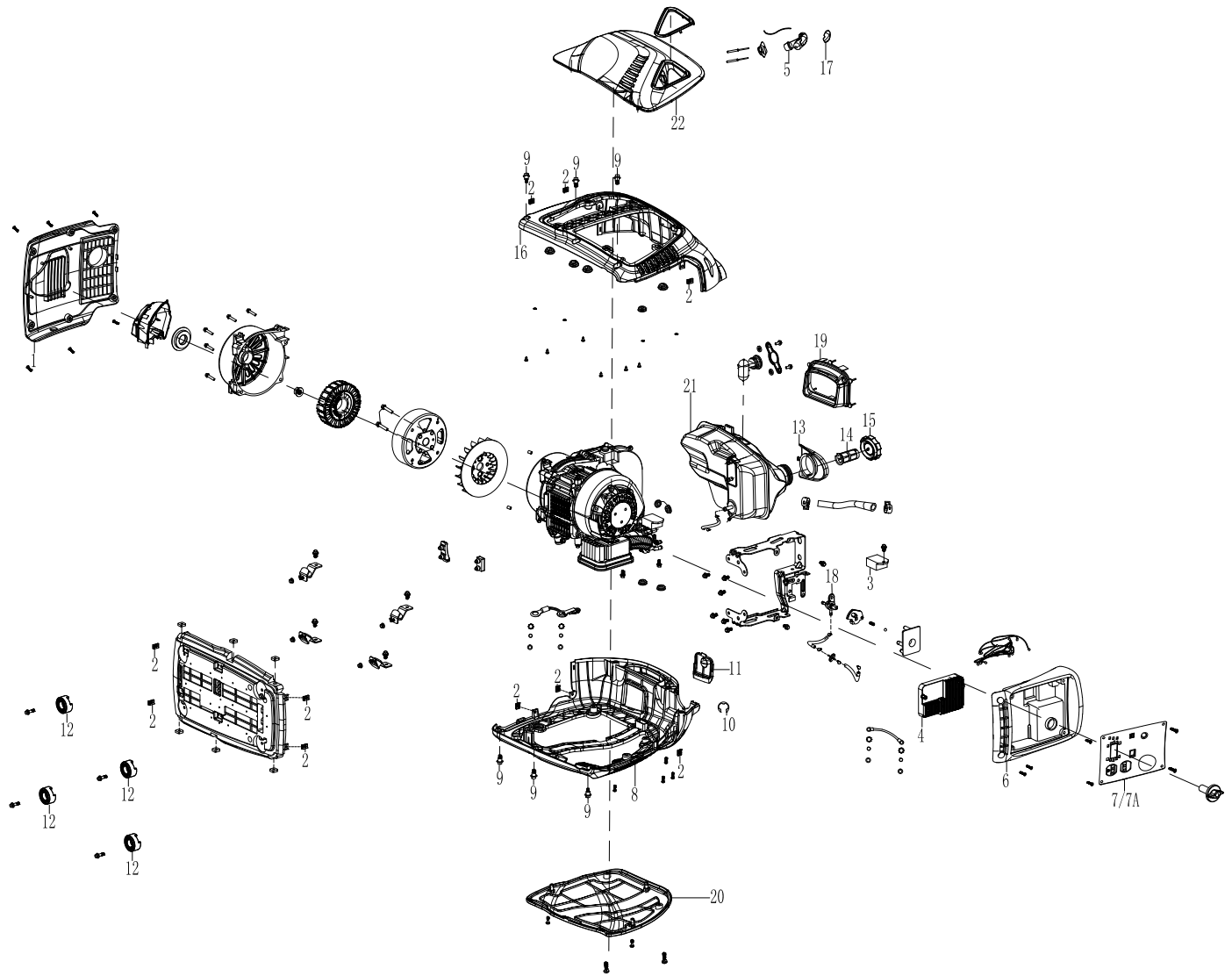
NO.	Part	Description	quantity
1	100509	Discharge Grate	1
2	100514	J Clip	10
3	130523	DC Regulator	1
4	120506	Inverter Module	1
5	170507	Starter Grip	1
6	130521	Control Panel	1
7	100524	Side Panel	1
8	100503	Enclosure Side	1
9	100507	Shoulder Bolt	6
10	100535	Inspection Cover	1
11	100520	Rubber Foot	4
12	150515	Fuel Tank	1
13	150504	Splash Guard	1
14	150514	Fuel Fill Marker	1
15	150513	Fuel Cap	1
16	100505	Enclosure Side	1
17	100522	Side Panel	1
18	170505	Grip Cover	1
19	170508	Fuel Valve	1
20	100511	Rubber Boot	1
21	100517	Stop	1
22	100513	Intake Grate	1

iGen2000 ENGINE VIEW



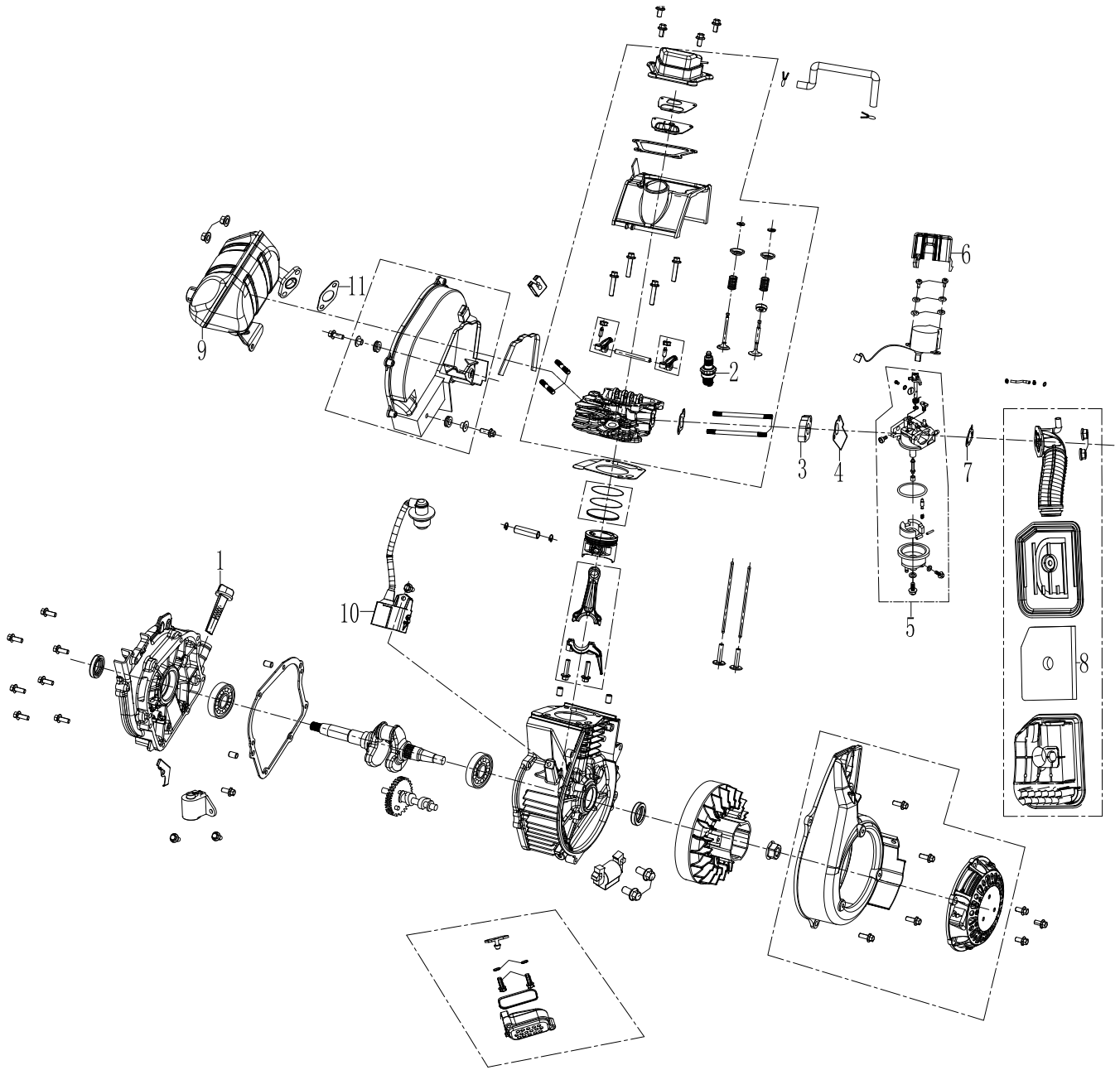
NO.	Part	Description	Qty
1	180558	Dip Stick	1
2	180532	Spark Plug	1
3	140521	Spacer	1
4	140520	Gasket	1
5	180577	Flat Washer	1
6	140522	Stepper Motor	1
7	140523	Gasket	1
8	160503	Air Filter Element	1
9	110507	Muffler Assy	1
10	180525	Ignition Coil	1
11	110506	Gasket	1
12	140524	Carburetor Assy	1

iGen2500 EXPLODED VIEW



NO.	Part	Description	quantity
1	100509	Discharge Grate	1
2	100514	J Clip	10
3	130500	DC Regulator	1
4	120500	Inverter Module	1
5	170507	Starter Grip	1
6	100519	Intake Grate	1
7	130515	Control Panel iGEN2500	1
7A	130516	Control Panel iPRO2500	1
8	100503	Enclosure Side	1
9	100507	Shoulder Bolt	6
10	100517	E Clip	1
11	100513	Inspection Cover	1
12	100520	Rubber Foot	4
13	150504	Splash Guard	1
14	150509	Fuel Fill Marker	1
15	150503	Fuel Cap	1
16	100505	Enclosure Side	1
17	170505	Grip Cover	1
18	170508	Fuel Valve	1
19	100511	Rubber Boot	1
20	100502	Side Panel	1
21	150511	Fuel Tank	1
22	100501	Side Panel	1

iGen2500 ENGINE VIEW



NO.	Part	Description	Qty
1	180558	Dip Stick	1
2	180532	Spark Plug	1
3	140521	Spacer	1
4	140520	Gasket	1
5	140511	Carburetor Assy	1
6	140522	Stepper Motor	1
7	140523	Gasket	1
8	160503	Air Filter	1
9	110505	Muffler Assy	1
10	180525	Ignition Coil	1
11	110506	Gasket	1



WestinghousePortablePower.com

Service Hotline: (855) 944-3571

**777 Manor Park Drive
Columbus, OH 43228**

™ & © 2016 Westinghouse Electric Corporation
© 2016 MWE Investments, LLC. All Rights Reserved.