

# Owner's Manual & Installation Guide

## Clawfoot Bathtub



Please read all instructions carefully before proceeding with installation.

Due to the complexity of the installation procedure a professional plumber is required.

Specifications and directions may change without notice.

Table of Contents:

|  |   |
|--|---|
| 1. Installation Guide Applicable Bathtub Models.....       | 1 |
| 2. External Drain Configuration.....                       | 2 |
| 3. External Drain and Overflow Installation.....           | 3 |
| 4. Claw foot Configuration, Installation, Replacement..... | 4 |
| 5. Bathtub Installation.....                               | 6 |
| 6. Product Care and Maintenance.....                       | 7 |



## Installation Guide Applicable Bathtub Models

Drain Model A-DWF-GLD and A-DWF-CH are used with below models.



R-5000-69CICFRD-FM



R-5001-69CICFWH-FM



R-5020-72CICFWH-FM



R-5060-67CICFPR-FM



R-5061-67CICFWH-FM



R-5100-66CICFWH-FM



R-5101-48CICFWH-FM



R-5120-60CICFWH-FM



R-5160-72CICFRD-FM



R-5161-61CICFRD-FM



R-5162-72CICFWH-FM



R-5163-61CICFWH-FM



R-5220-67CICFWH-FM



R-5221-61CICFWH-FM



R-5240-71CICFWH-FM



R-5280-66CICFRD-FM



R-5281-66CICFWH-FM



R-5420-67CICFWH-FM



R-5440-65CICFGR-FM



R-5441-65CICFRD-FM

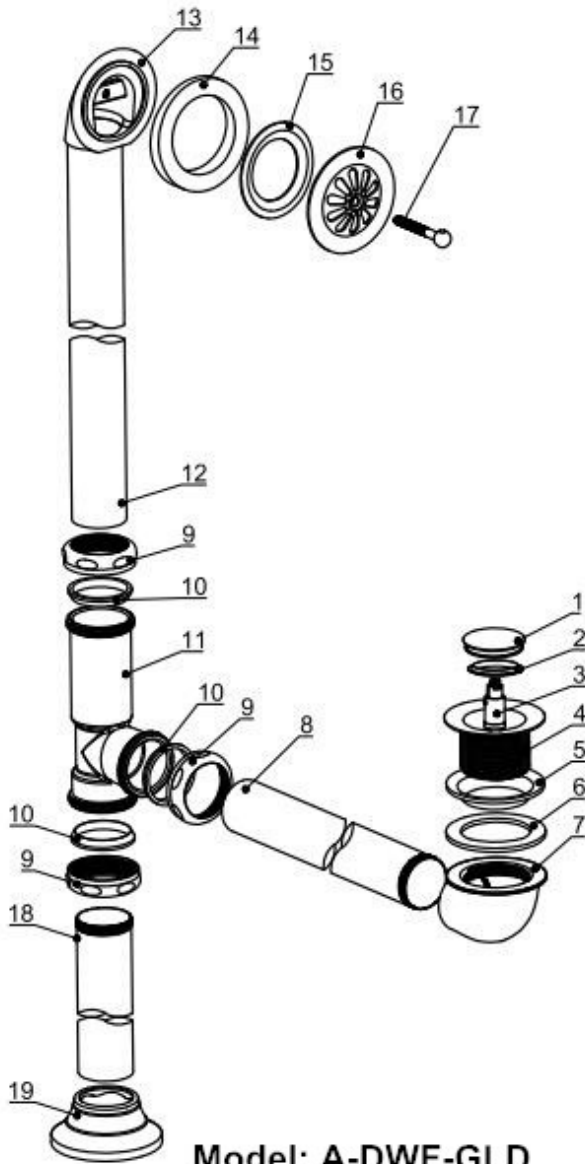


R-5442-65CICFWH-FM

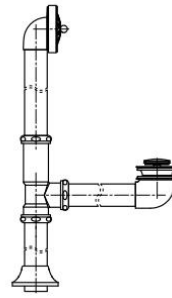


R-5460-53CICFWH-FM

# External Drain Configuration

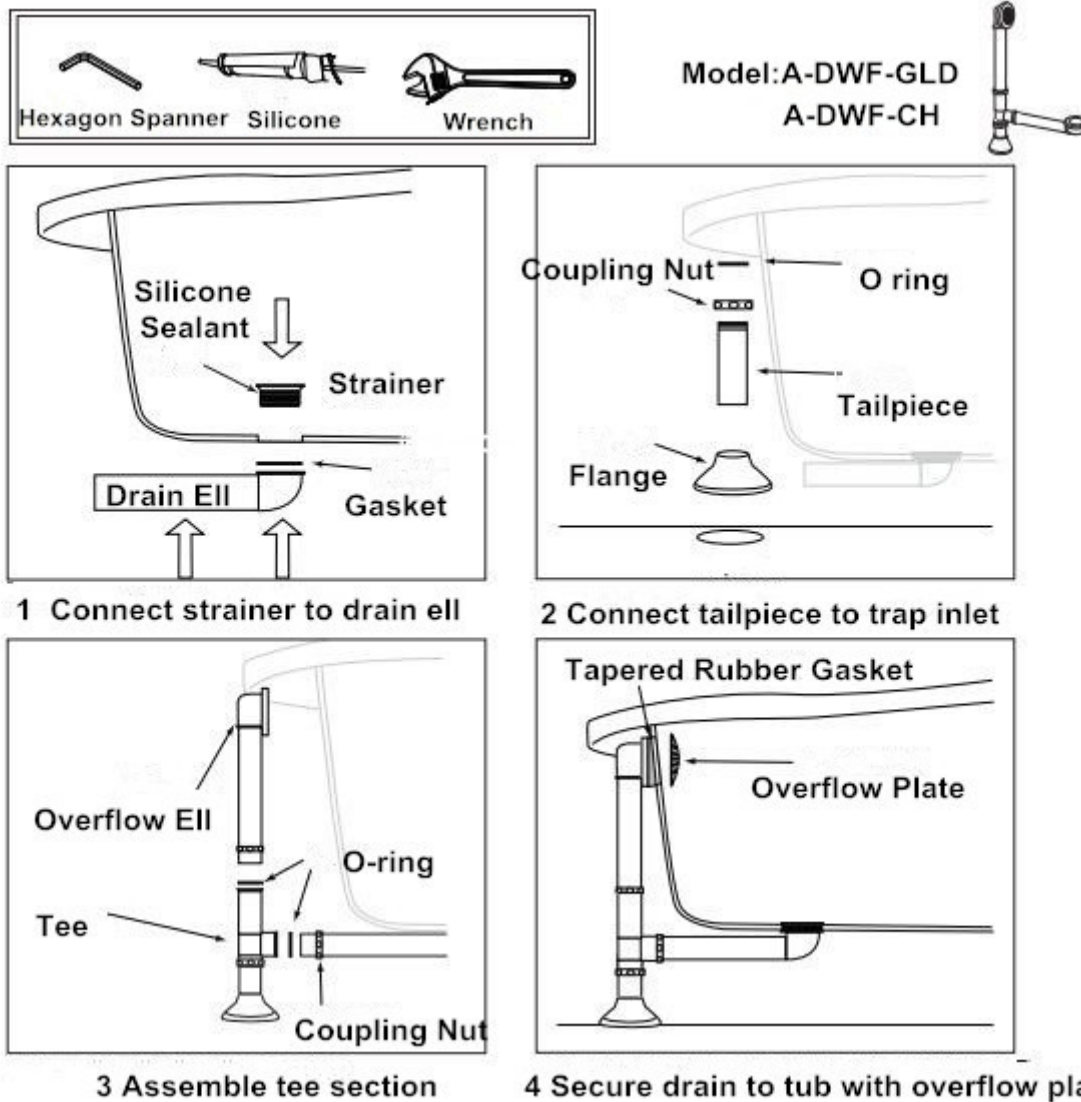


Model: A-DWF-GLD  
A-DWF-CH



| No. | Item                  | Qty |
|-----|-----------------------|-----|
| 1   | Cover                 | 1   |
| 2   | Cover gasket          | 1   |
| 3   | Cartridge             | 1   |
| 4   | Strainer              | 1   |
| 5   | Waste upper gasket    | 1   |
| 6   | Waste lower gasket    | 1   |
| 7   | Connector             | 1   |
| 8   | Coupling nut          | 1   |
| 9   | Nut                   | 1   |
| 10  | Washer                | 3   |
| 11  | Tee                   | 3   |
| 12  | Pipe                  | 1   |
| 13  | Overflow body         | 1   |
| 14  | Tapered rubber gasket | 1   |
| 15  | Overflow upper gasket | 1   |
| 16  | Overflow plate        | 1   |
| 17  | Pin bolt              | 1   |
| 18  | Talc piece            | 1   |
| 19  | Flange                | 1   |

## External Drain and Overflow Installation



1. Connect Drain Strainer & Drain Ell. Use silicone sealant. DO NOT use plumbers putty to seal.
2. Insert tailpiece into trap inlet. The tail piece may need to be cut for proper fit, 1" - 2" of the tailpiece should fit inside the trap. Slip the flange over the tail piece and slide down to floor.
3. Assemble tee section to tailpiece, overflow ell and drain ell using coupling nuts and O-rings that are provided.
4. Attach the tapered rubber gasket to the overflow ell. Align the overflow ell with the overflow hole and secure drain to the tub with overflow plate and screw provided.
5. Make sure a watertight seal exists on all bath drain connections.

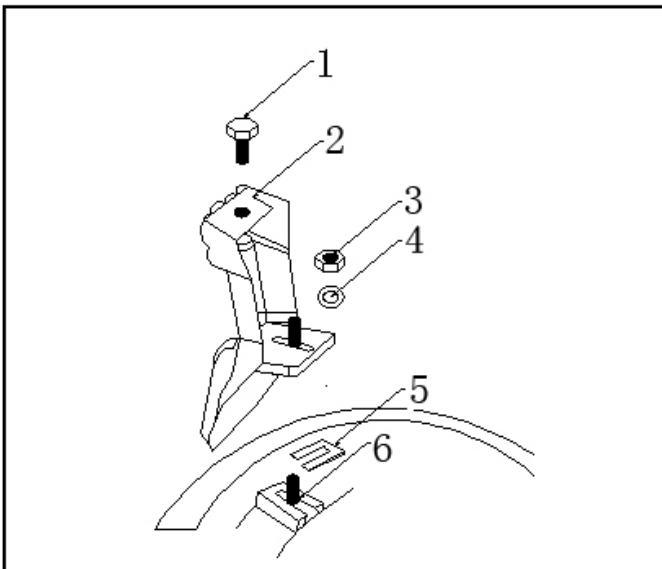
# Clawfeet Configuration, Installation, and Replacement



Applicable models:

R-CFL01-CH / R-CFL01-WH / R-CFL01-GLD  
 R-CFL02-CH / R-CFL02-WH / R-CFL02-GLD  
 R-CFL03-CH / R-CFL03-WH / R-CFL03-GLD  
 R-CFL04-CH / R-CFL04-WH / R-CFL04-GLD  
 R-CFL06-CH / R-CFL06-WH / R-CFL06-GLD  
 R-CFL08-CH / R-CFL08-WH / R-CFL08-WH  
 R-CFL10-CH / R-CFL10-WH / R-CFL10-GLD  
 R-CFL16-CH

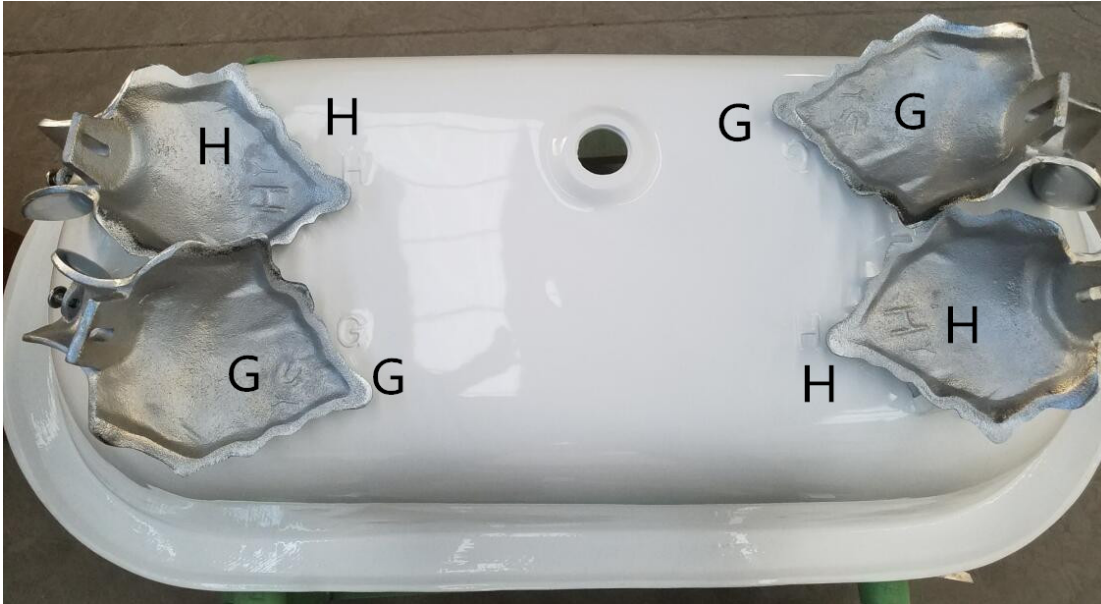
Bathtub is pictured upside down



| No. | Item            | Qty |
|-----|-----------------|-----|
| 1   | Adjustable feet | 1   |
| 2   | Claw feet       | 1   |
| 3   | Nut             | 1   |
| 4   | Washer          | 1   |
| 5   | Rubber washer   | 1   |
| 6   | Bolt            | 1   |

## Clawfeet Configuration, Installation, and Replacement

Clawfeet: R-CFL03, R-CFL04, R-CFL06 have specific foot placement. Each foot in the set is unique. Inside each foot is labeled with a letter to help you find the proper location on the tub for installation. Match up the letters on the clawfeet with the letters on the underside of the tub. The letters on the tub will be the same as what are on the clawfeet and will match accordingly.



## Bathtub Installation



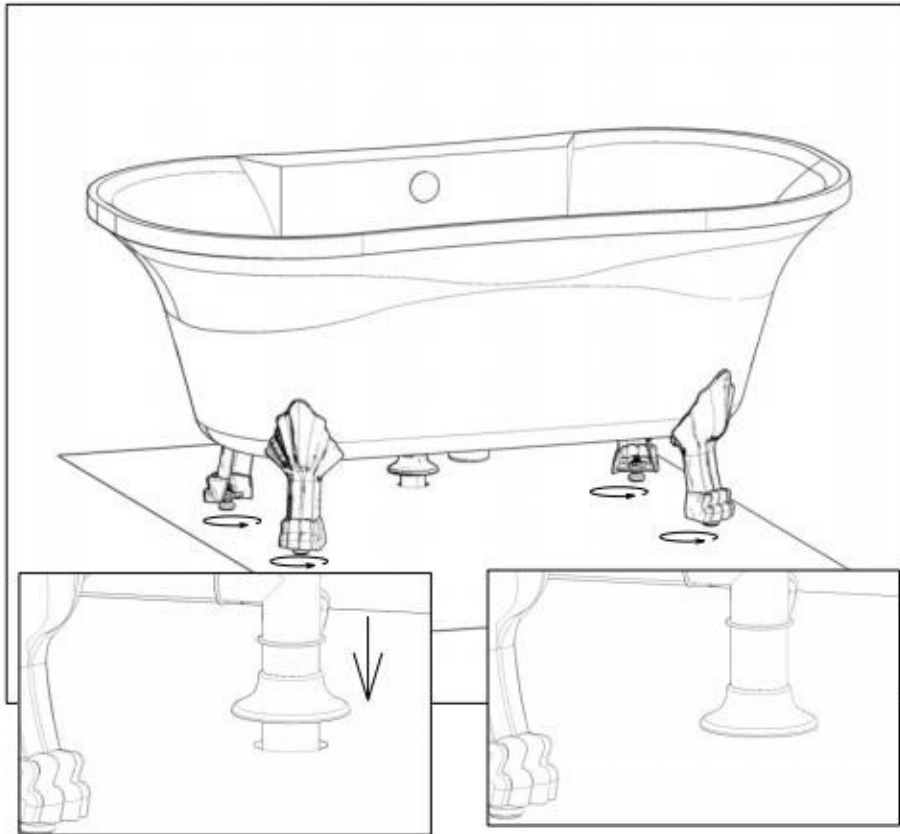
Measurement



Level Bar



Wrench



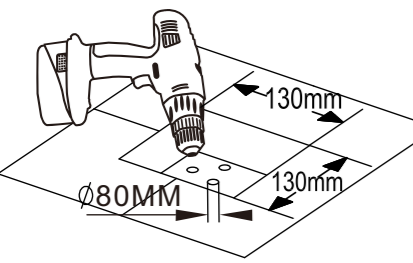
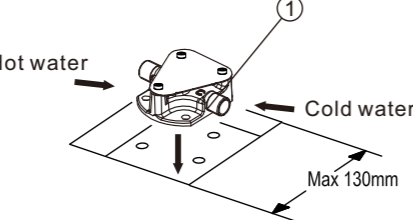
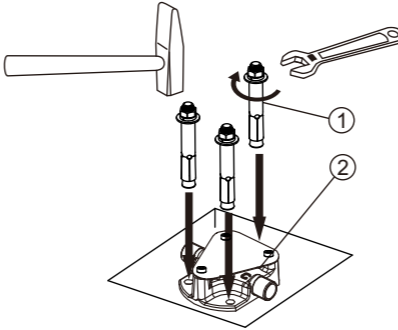
1. Lift the bathtub and fit the drain pipe with the floor waste drain.
2. Put the waste pipe and put it into floor drain.
3. Pull the flange to cover the floor drain.
4. Adjust the leveling feet to level the tub with floor.

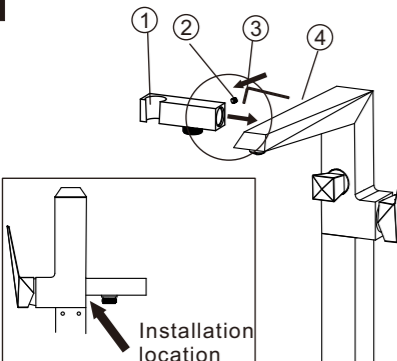
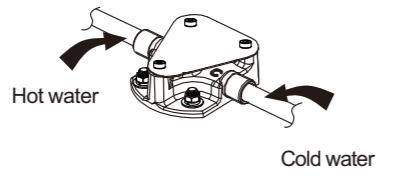
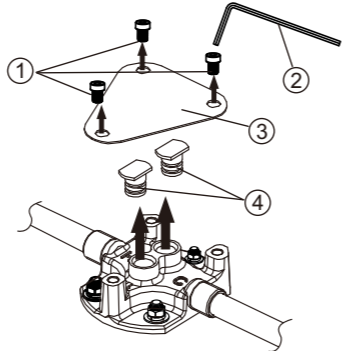


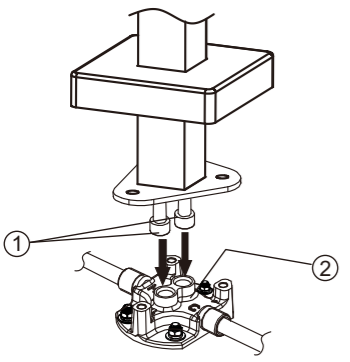
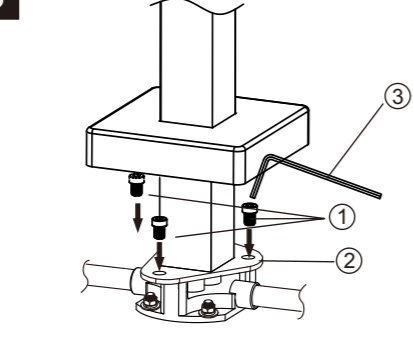
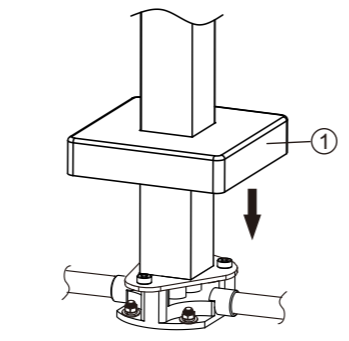
## Product Care and Maintenance

1. In order to clean the bathtub, please only use soft towel or soft sponge. Never use an abrasive materials such as a brushes to clean the tub.
2. Rinse or soak the tub for 10 minutes in warm water not exceeding 40 degrees Celsius, then wipe the surface with a soft towel to dry. Try to keep the surface dry after every use.
3. If deep cleaning is necessary, rinse or soak the tub in warm water for 30 minutes and add a bit of liquid soap or dish soap to the water. Rinse and dry with a soft towel.

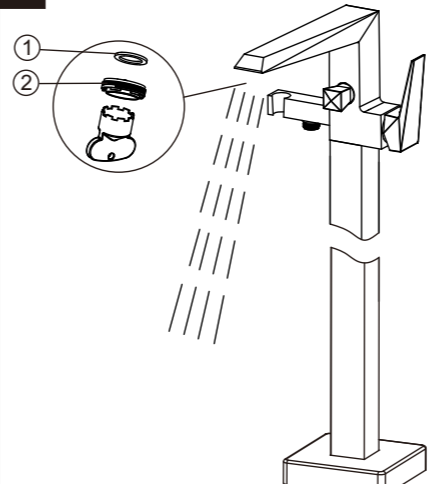
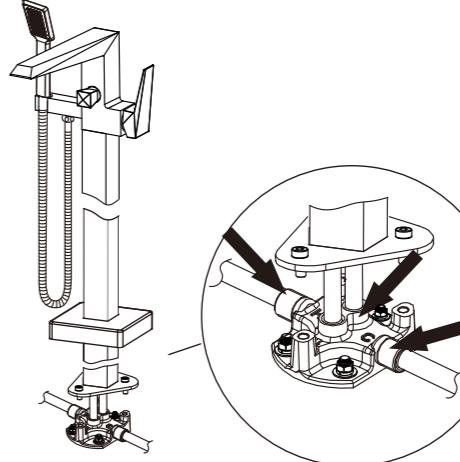
## Step 1 Faucet installation

|   |   |  |
|---|---|--|
| <p><b>1</b></p>  | <p><b>2</b></p>  | <p><b>3</b></p>             |
| <p>Drill one hole of 130mmX130mm max and drill 3 holes with 80mm diameter as shown.</p>           | <p>Align the base① with the holes exactly as shown.</p>   | <p>Insert the expansion anchors① into the holes on the base② with a hammer,tighten with adjustable wrench.</p> |

|  |  |  |
|--|--|--|
| <p><b>4</b></p>  | <p><b>5</b></p>  | <p><b>6</b></p>                        |
| <p>Tighten the shower holder① into faucet body④ with a screw② and Allen key③.</p>                  | <p>Connect hot and cold supply lines and test by opening water lines.</p>                          | <p>If there are no leaks, remove the 3 screws (1) with the Allen key (2), then remove plate (3) and nuts (4) as shown.</p> |

|   |   |   |
|---|---|---|
| <p><b>7</b></p>            | <p><b>8</b></p>  | <p><b>8</b></p>  |
| <p>Connect hot water flexible hose(1) and cold water flexible hose(2) to the base (2) correctly as shown.</p> | <p>Insert 3 screws (1) into holes on the plate(2), tighten with allen key(3).</p>                   | <p>Put down cover (1) and complete installation.</p>  |

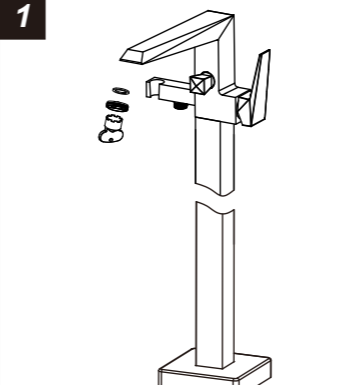
## Step 2 Checking and testing

|   |  |
|---|--|
| <p><b>1</b></p>    | <p><b>2</b></p>                             |
| <p>Remove the aerator ② with aerator wrench, take out the o-ring ① too. Turn the faucet handle all the way on, turn on hot and cold water supply and flush water lines for one minute. Reinstall aerator with aerator wrench.</p> | <p>Check all connections at arrows for leaks, re-tighten it if necessary.</p> <p><b>!</b><br/><b>BUT DON'T OVERTIGHTEN</b></p> |

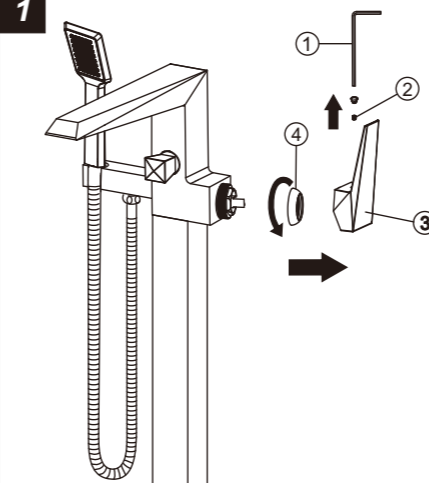
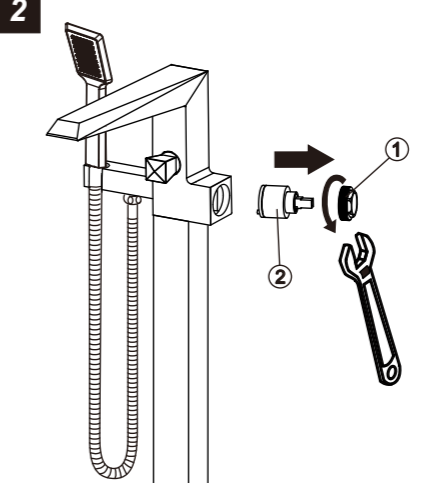
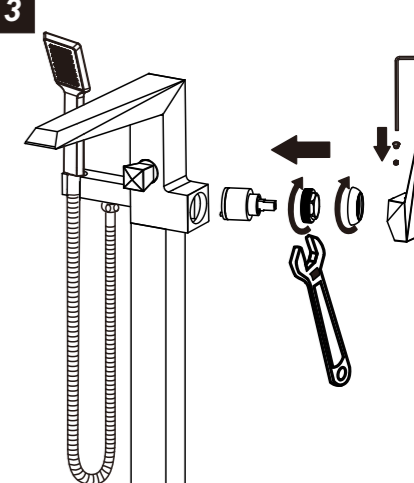
## Step 3 Maintenance

A. If there is splash or low flow rate, please remove the aerator with the wrench and clean the debris.

**1**



B. If faucet leaks from the handle or drips from spout, please replace cartridge following the following steps:

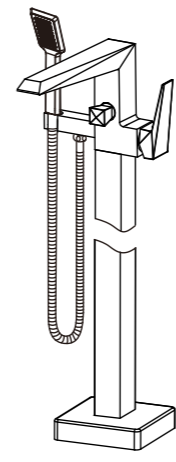
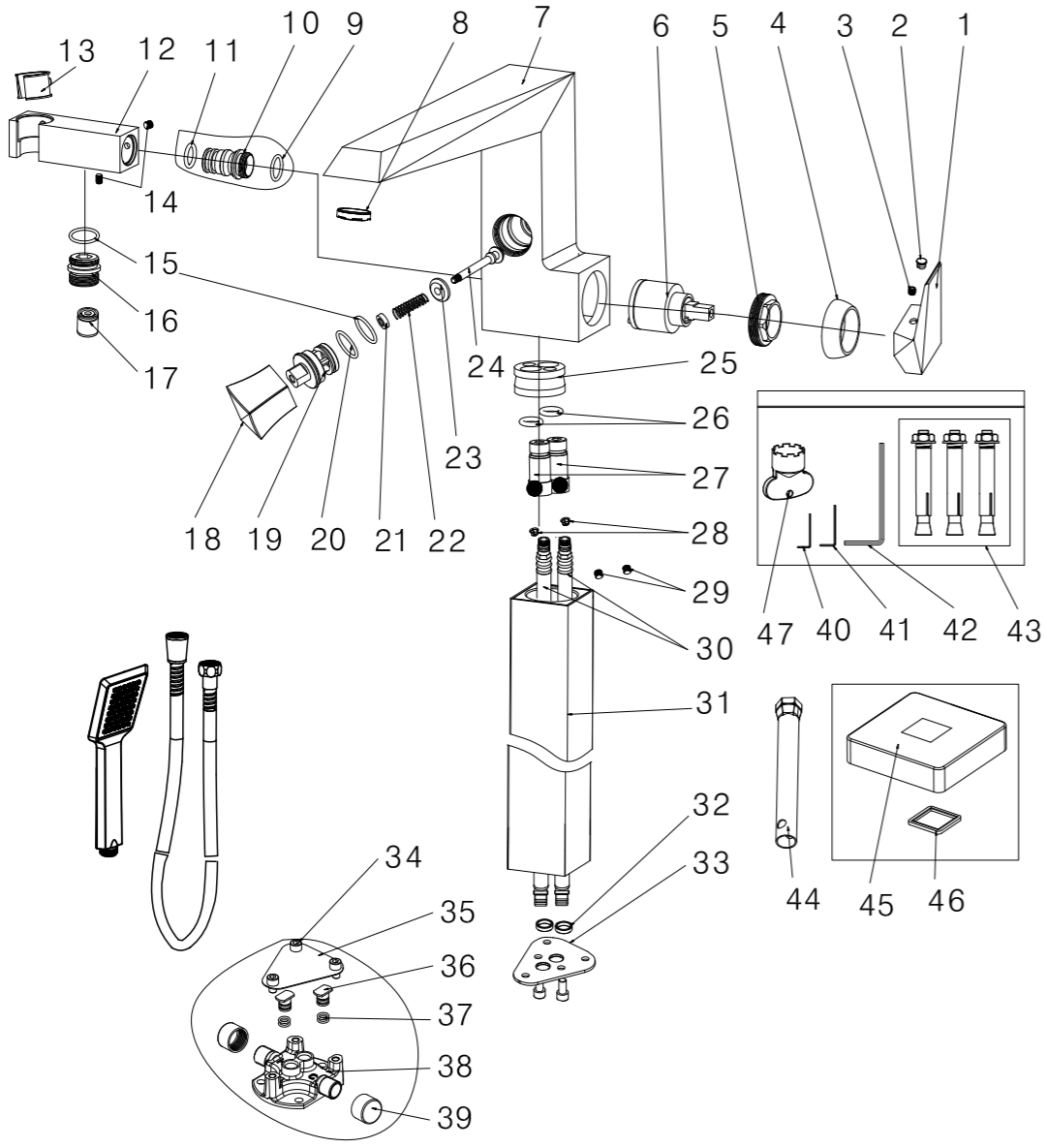
|   |   |  |
|---|---|--|
| <p><b>1</b></p>  | <p><b>2</b></p>  | <p><b>3</b></p>   |
| <p>Disassemble the screw② with allenkey①, take out the handle③, then remove the trim cap④.</p>        | <p>Unscrew the cartridge nut① with adjustable wrench, then take out the old cartridge②.</p>           | <p>Place a new cartridge in the cartridge seat, then screw the cartridge lock nut and assemble the handle by securing the screws. Repeat the above steps for the other cartridge if necessary.</p> |

**Step 4 Cleaning and care**

Daily cleaning and care are required in order to keep the product shining and properly working.

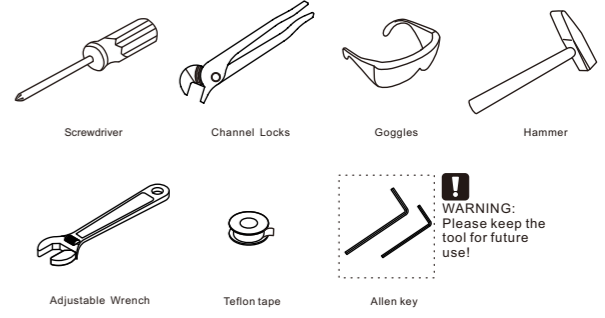
- 1** Clean it with water and dry it with soft cloth.
- 2** Clean the product with gentle liquid or glass cleaner.
- 3** Don't use acid cleaner.
- 4** Don't clean with abrasive material, abrasive paper or knife.

**Step 5 Parts list**



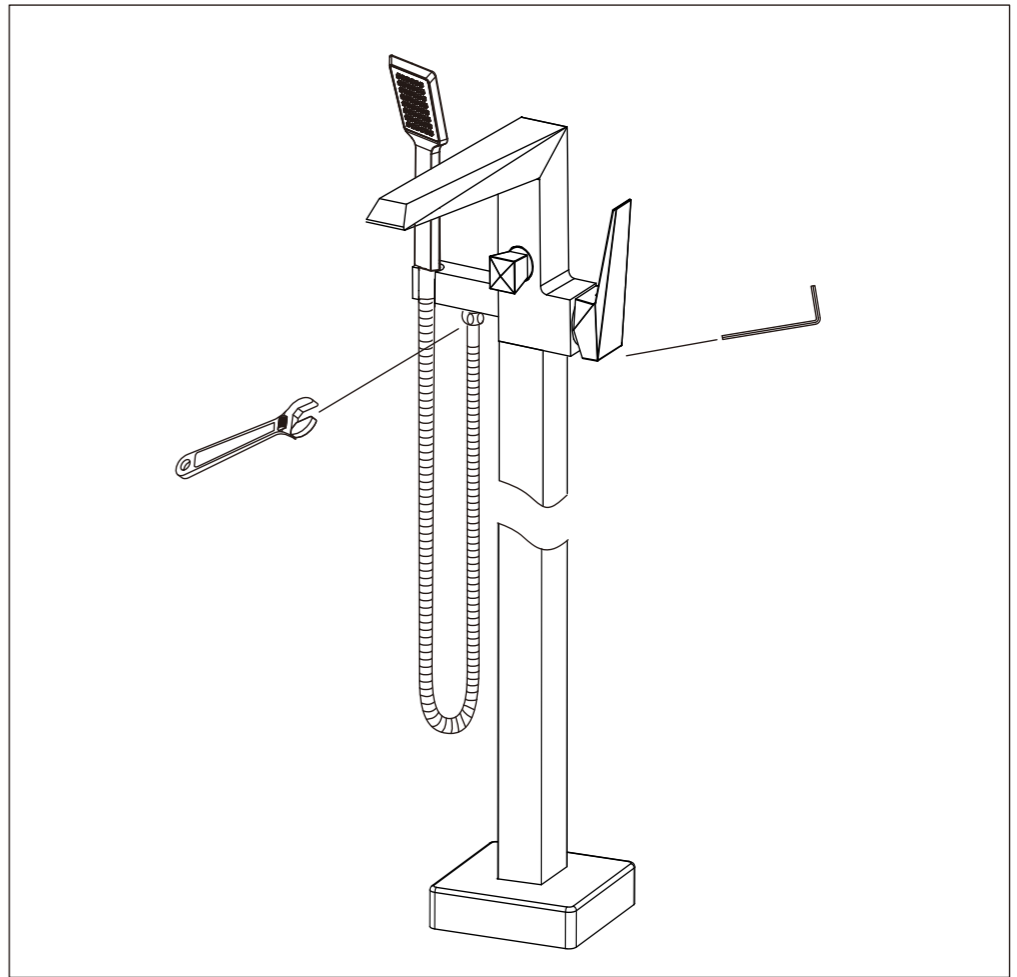
**SINGLE HANDLE FREESTANDING TUB&SHOWER FAUCET**

**RECOMMENDED TOOLS**

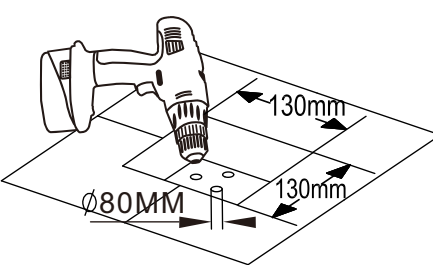
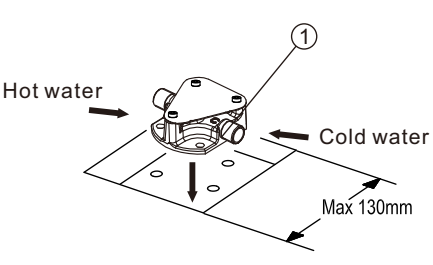
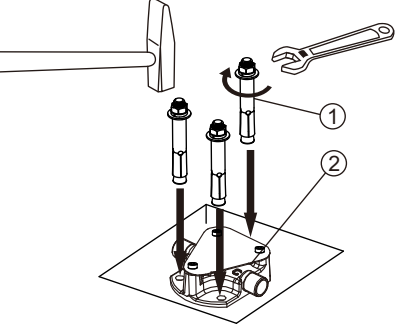


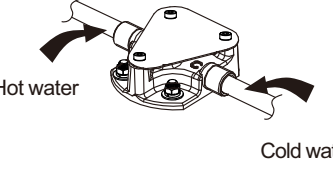
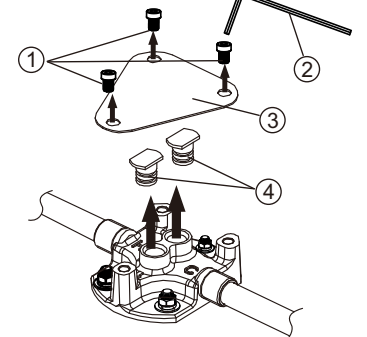
**Attention:**  
for easy installation, you will need:  
1. To read all the installation instruction completely before beginning.  
2. To read all the warning, attention and maintenance information.

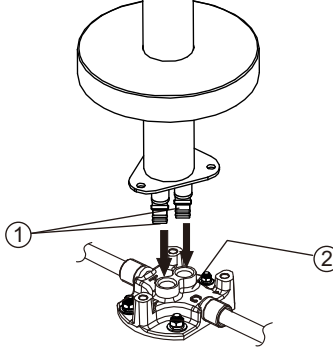
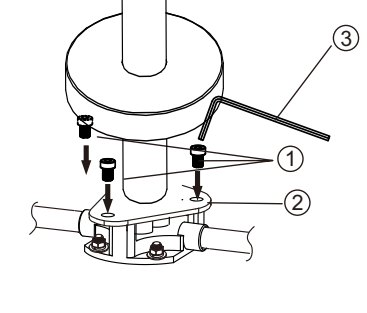
**The tools might be applied to the following places:**



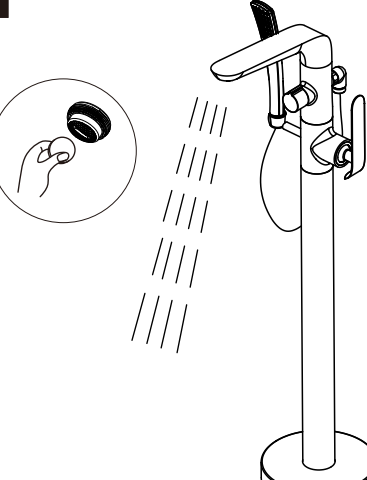
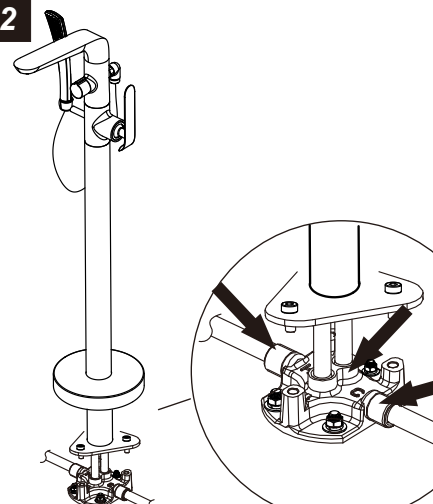
## Step 1 Faucet installation

|   |   |   |
|---|---|---|
| <p><b>1</b></p>  | <p><b>2</b></p>  | <p><b>3</b></p>              |
| <p>Drill one hole of 130mmX130mm max and drill 3 holes with 80mm diameter as shown.</p>           | <p>Align the base① with the holes exactly as shown.</p>   | <p>Insert the expansion anchors① into the holes on the base② with a hammer, tighten with adjustable wrench.</p> |

|  |  |
|--|--|
| <p><b>4</b></p>  | <p><b>5</b></p>                          |
| <p>Connect hot and cold supply lines and test by opening water lines.</p>                          | <p>If there are no leaks, remove the 3 screws (1) with the Allen key (2), then remove plate (3) and nuts (4) as shown.</p> |

|   |   |
|---|---|
| <p><b>6</b></p>            | <p><b>7</b></p>  |
| <p>Connect hot water flexible hose(1) and cold water flexible hose(1) to the base (2) correctly as shown.</p> | <p>Insert 3 screws (1) into holes on the plate(2), tighten with allen key(3).</p>                   |

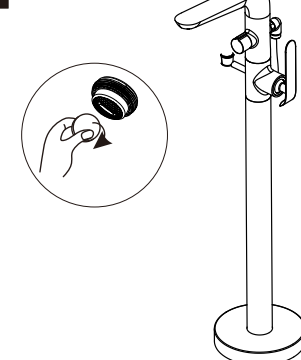
## Step 2 Checking and testing

|  |   |
|--|---|
| <p><b>1</b></p>   | <p><b>2</b></p>                      |
| <p>Remove aerator by coin and open the hot and cold water supplies. Check for leaks. Turn on faucet handle for one minute to flush debris from faucet.</p> | <p>Check all connections at arrows for leaks, re-tighten it if necessary.</p> <p><b>!</b><br/>BUT DON'T OVERTIGHTEN</p> |

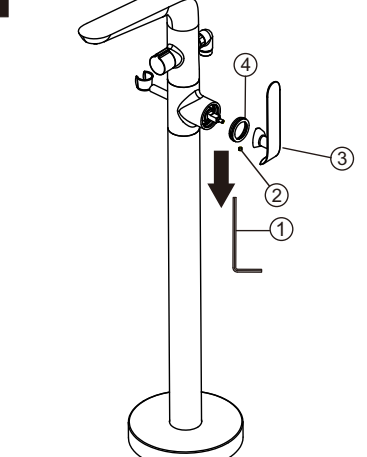
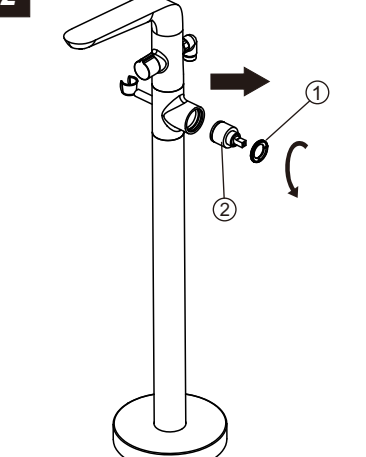
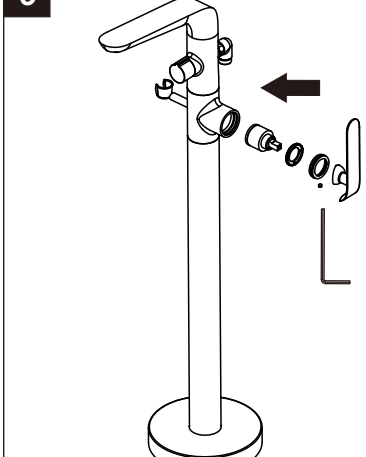
## Step 3 Maintenance

A. If there is splash or low flow rate, please remove the aerator with by coin and clean the debris.

**1**



B. If faucet leaks from the handle or drips from spout, please replace cartridge following the following steps:

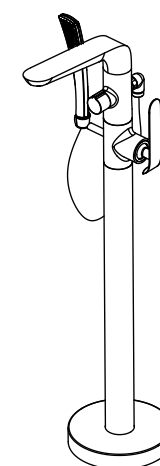
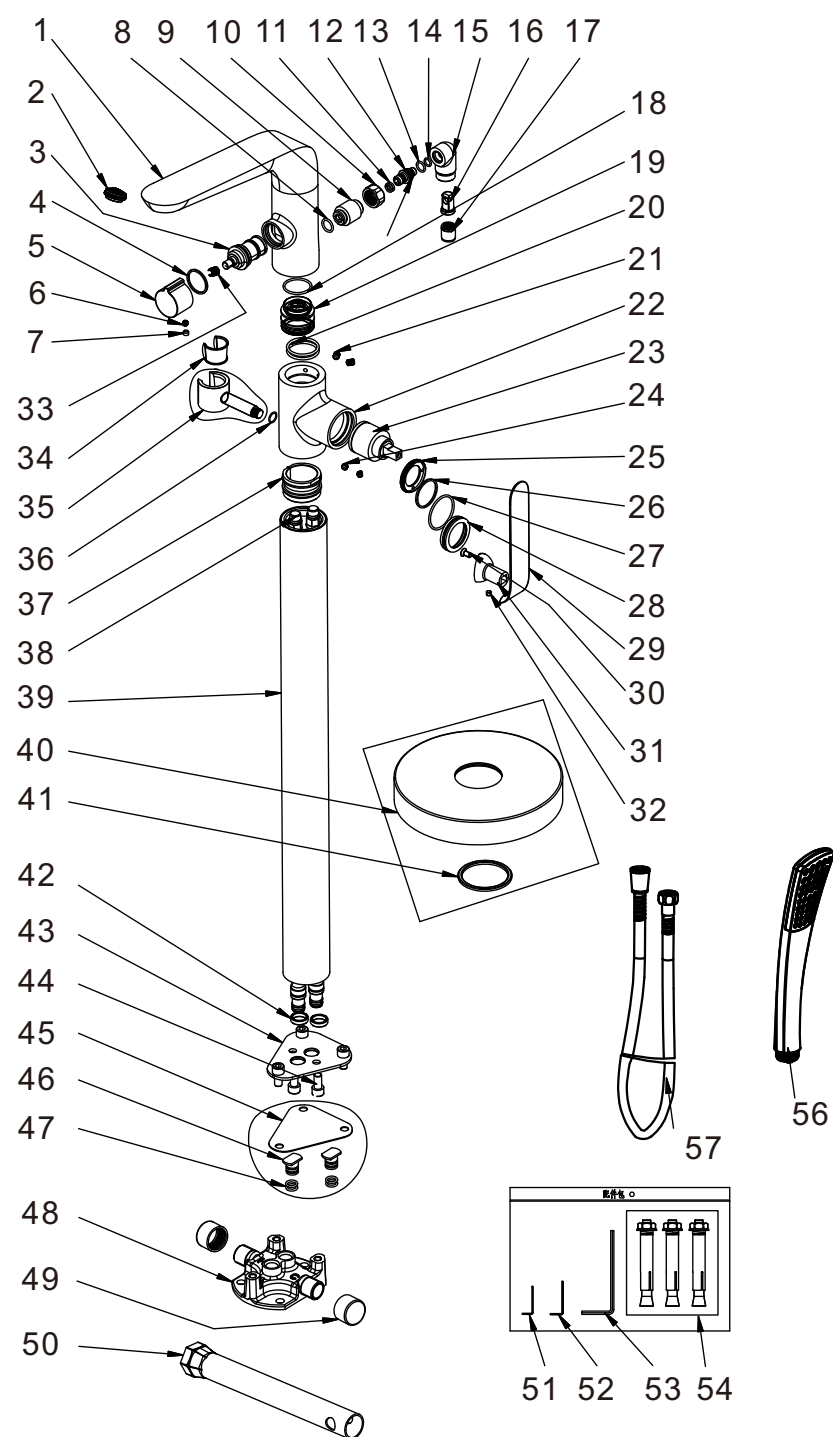
|   |   |  |
|---|---|--|
| <p><b>1</b></p>  | <p><b>2</b></p>  | <p><b>3</b></p>   |
| <p>Disassemble the screw② with allenkey①, take out the handle③, then remove the trim cap④.</p>        | <p>Unscrew the cartridge nut① with adjustable wrench②, then take out the old cartridge②.</p>          | <p>Place a new cartridge in the cartridge seat, then screw the cartridge lock nut and assemble the handle by securing the screws. Repeat the above steps for the other cartridge if necessary.</p> |

### Step 4 Cleaning and care

Daily cleaning and care are required in order to keep the product shining and properly working.

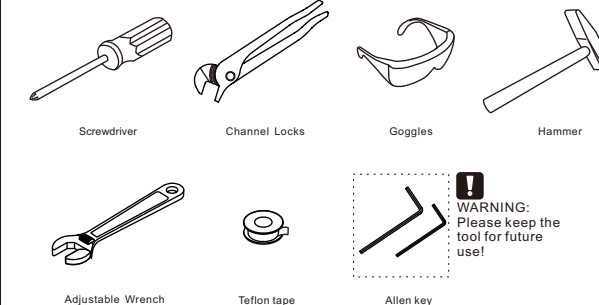
- 1 Clean it with water and dry it with soft cloth.
- 2 Clean the product with gentle liquid or glass cleaner.
- 3 Don't use acid cleaner.
- 4 Don't clean with abrasive material, abrasive paper or knife.

### Step 5 Parts list



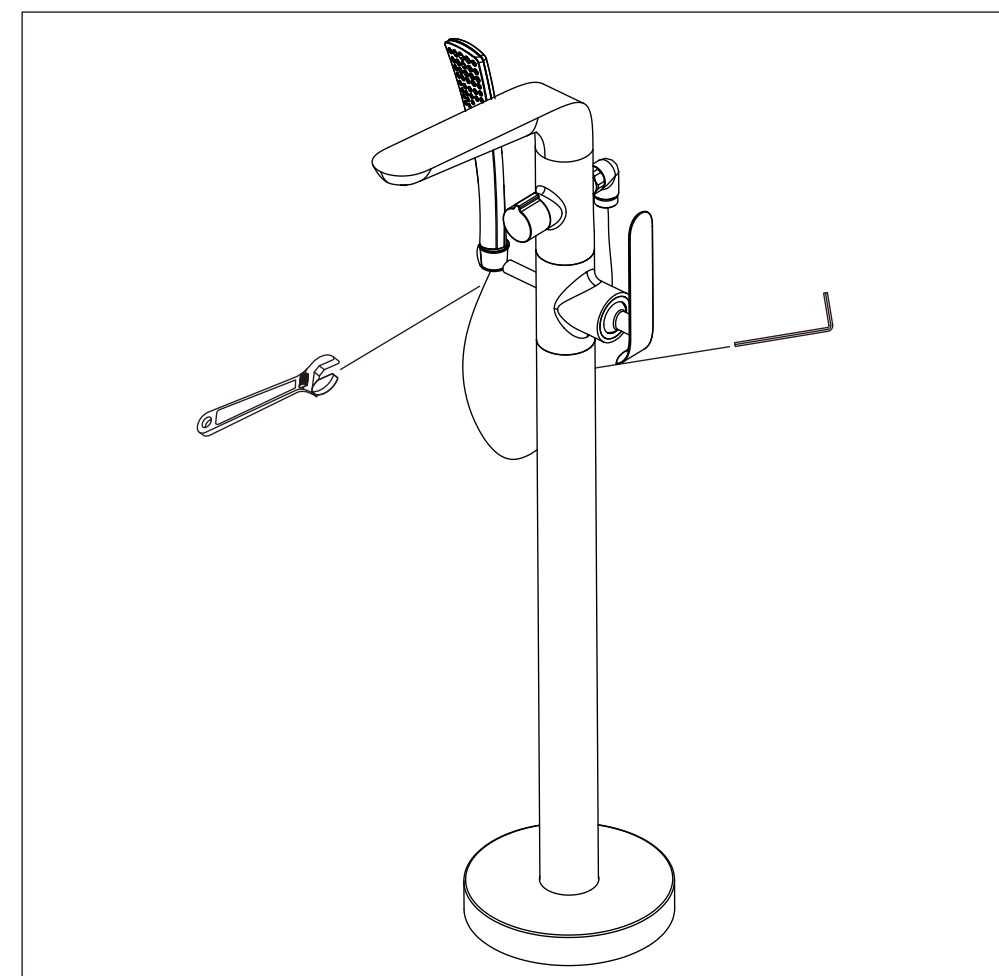
**SINGLE HANDLE FREESTANDING TUB&SHOWER FAUCET**

#### RECOMMENDED TOOLS

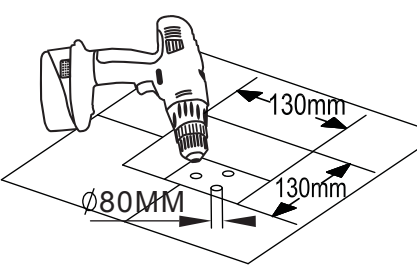
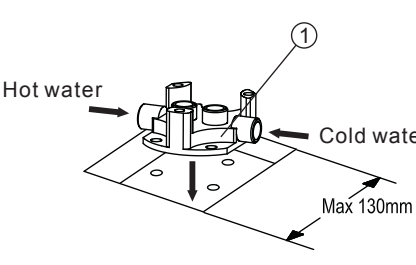
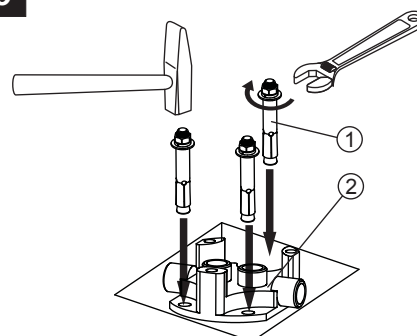


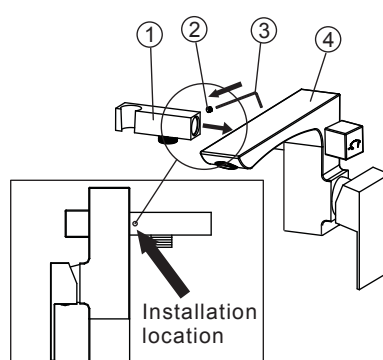
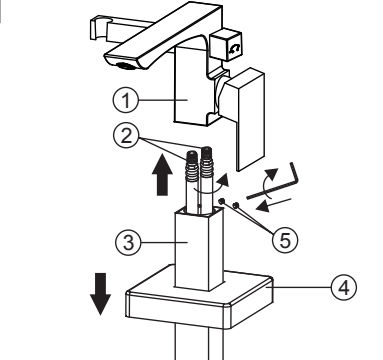
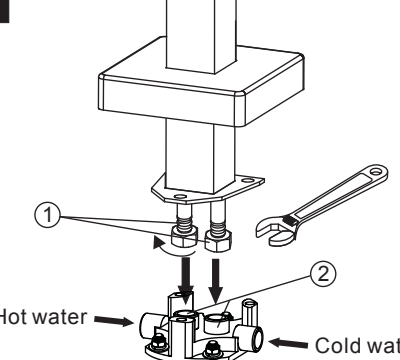
**Attention:**  
for easy installation, you will need:  
1. To read all the installation instruction completely before beginning.  
2. To read all the warning, attention and maintenance information.

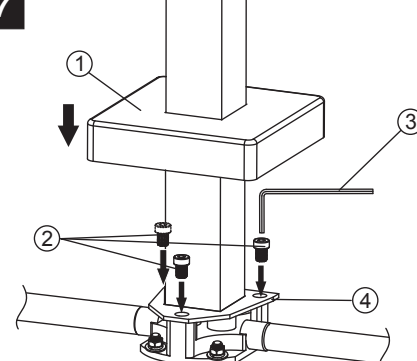
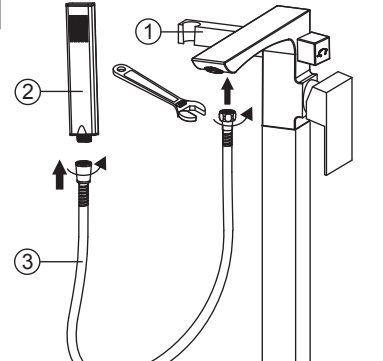
The tools might be applied to the following places:



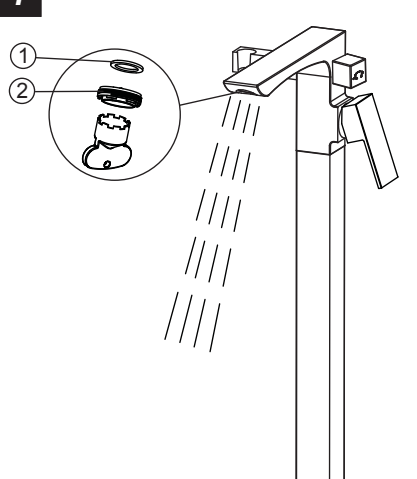
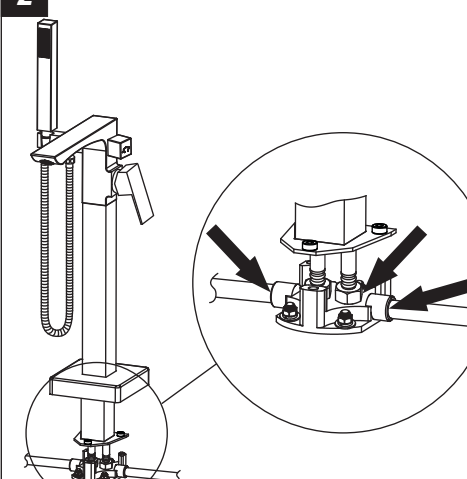
## Step 1 Faucet installation

|   |   |   |
|---|---|---|
| <p><b>1</b></p>  | <p><b>2</b></p>  | <p><b>3</b></p>               |
| <p>Drill one hole of 130mmX130mm max and drill 3 holes with 80mm diameter as shown.</p>           | <p>Align the base① with the holes exactly as shown.</p>   | <p>Insert the expansion anchors① into the holes on the base② with a hammer, tighten with adjustable wrench.</p> |

|  |  |  |
|--|--|--|
| <p><b>4</b></p>  | <p><b>5</b></p>    | <p><b>6</b></p>  |
| <p>Tighten the shower holder① into faucet body④ with a screw② and Allen key③.</p>                  | <p>Slide the flange④ into the welded rack③ as shown, and connect the flexible hose② to the faucet body①, then assemble the welded rack③ to the faucet body① and fix it with screws⑤.</p> | <p>Connect flexible hose① to the connector② correctly as shown, tighten with adjustable wrench.</p>  |

|   |   |
|---|---|
| <p><b>7</b></p>  | <p><b>8</b></p>    |
| <p>Insert 3 screws② into holes on the plate④, tighten with Allen key③. Cover it with flange①.</p>   | <p>Assemble the shower hose③ to hand shower② and connector under the shower holder① as shown. Then finish the installation of the faucet.</p> |

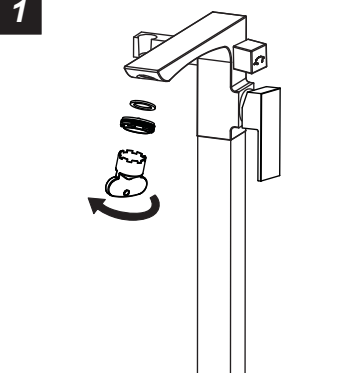
## Step 2 Checking and testing

|   |   |
|---|---|
| <p><b>1</b></p>    | <p><b>2</b></p>                      |
| <p>Remove the aerator ② with aerator wrench, take out the o-ring ① too. Turn the faucet handle all the way on, turn on hot and cold water supply and flush water lines for one minute. Reinstall aerator with aerator wrench.</p> | <p>Check all connections at arrows for leaks, re-tighten it if necessary.</p> <p><b>!</b><br/>BUT DON'T OVERTIGHTEN</p> |

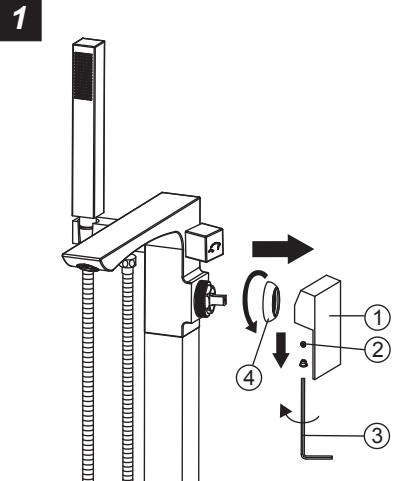
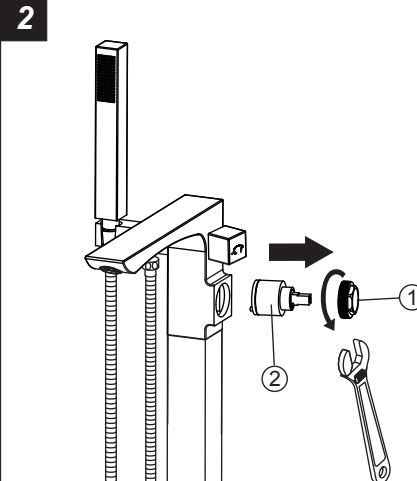
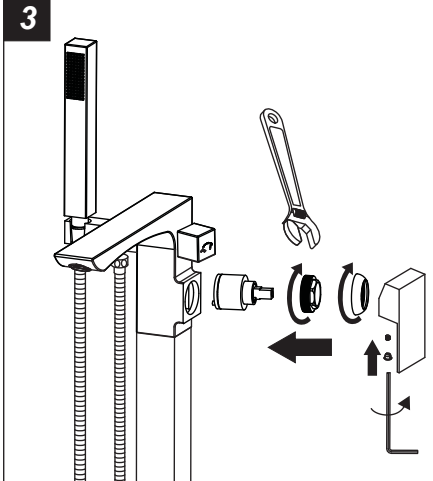
## Step 3 Maintenance

A. If there is splash or low flow rate, please remove the aerator with the wrench and clean the debris.

**1**



B. If faucet leaks from the handle or drips from spout, please replace cartridge following the following steps:

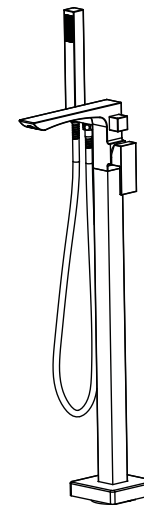
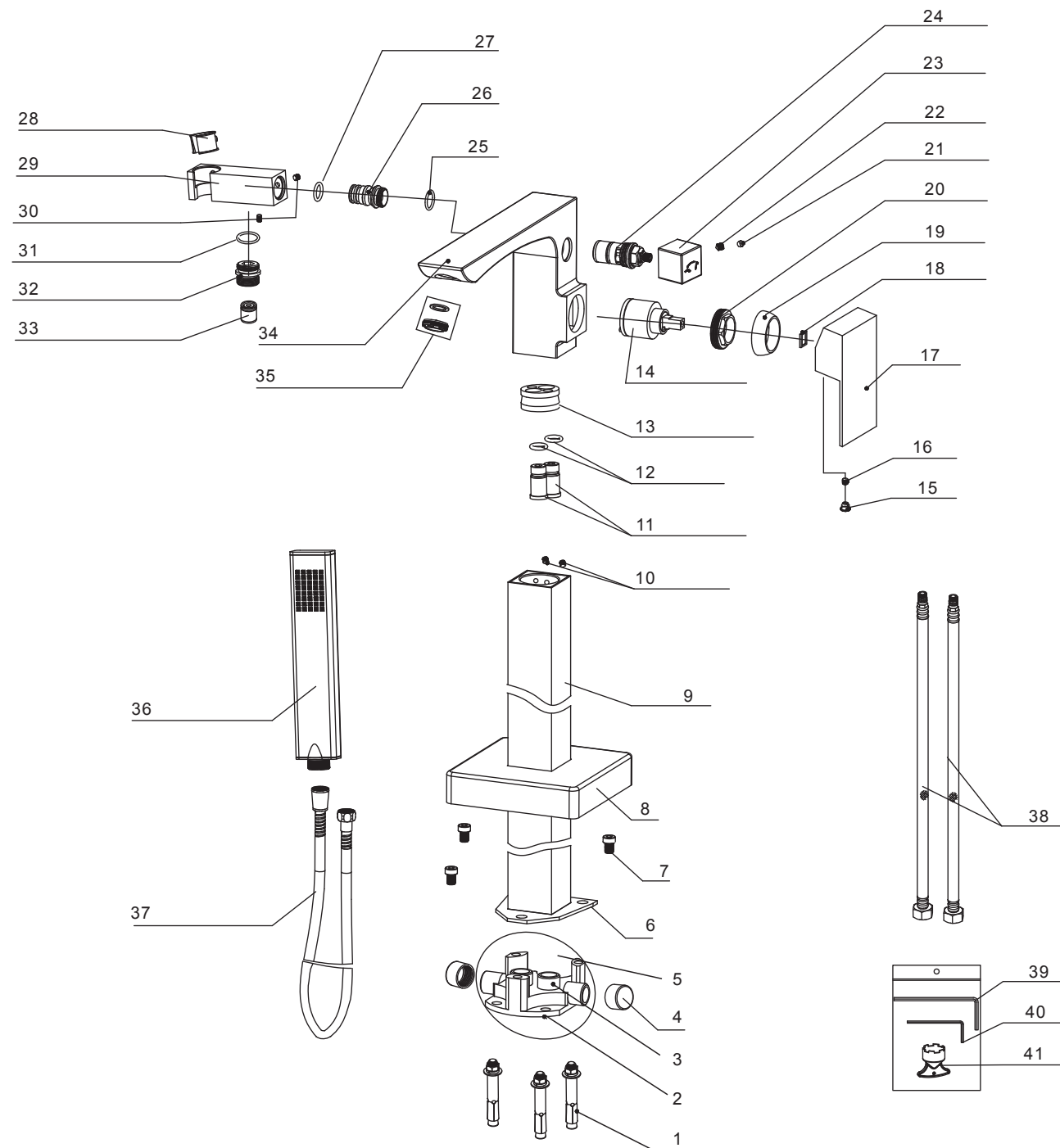
|   |   |  |
|---|---|--|
| <p><b>1</b></p>  | <p><b>2</b></p>  | <p><b>3</b></p>                                 |
| <p>Remove the handle screw② with Allen key③, take out the handle①, then remove the trim cap④.</p>     | <p>Unscrew the cartridge locknut ① with Adjustable Wrench, then take out the old cartridge ②.</p>     | <p>Place a new cartridge in the cartridge seat, then screw the cartridge locknut and assemble the handle by securing the screws.</p> |

### Step 4 Cleaning and care

Daily cleaning and care are required in order to keep the product shining and properly working.

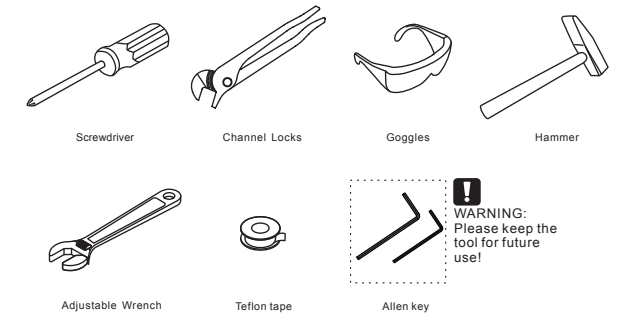
- 1 Clean it with water and dry it with soft cloth.
- 2 Clean the product with gentle liquid or glass cleaner.
- 3 Don't use acid cleaner.
- 4 Don't clean with abrasive material, abrasive paper or knife.

### Step 5 Parts list



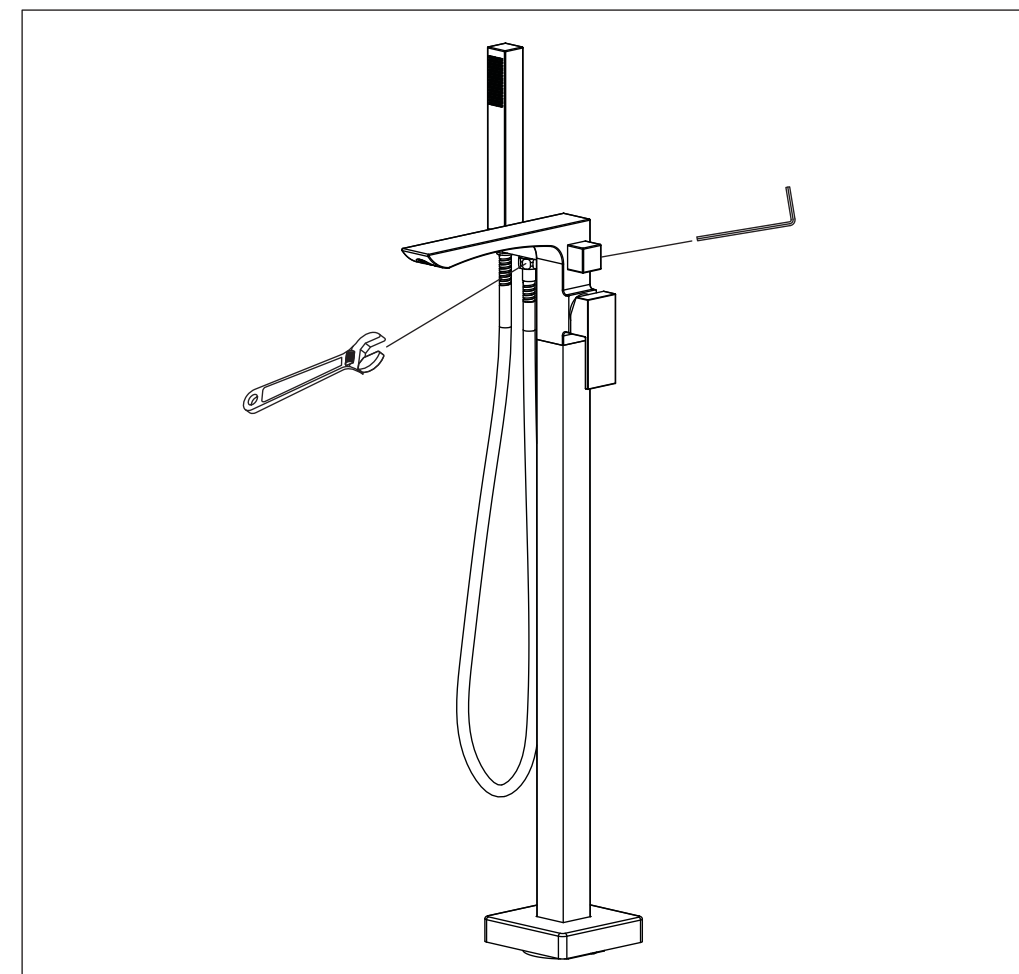
**SINGLE HANDLE FREESTANDING TUB&SHOWER FAUCET**

#### RECOMMENDED TOOLS



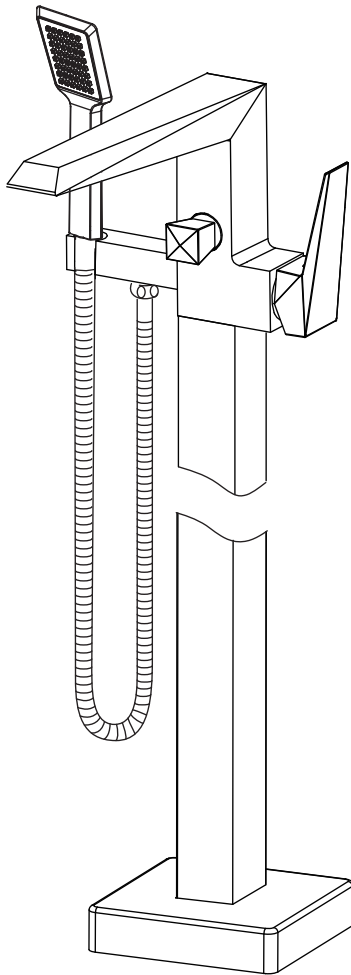
**Attention:**  
for easy installation, you will need:  
1. To read all the installation instruction completely before beginning.  
2. To read all the warning, attention and maintenance information.

The tools might be applied to the following places:



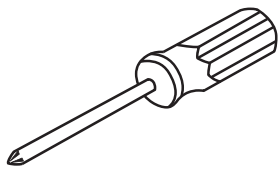
# **SINGLE HANDLE FREESTANDING TUB&SHOWER FAUCET**

**H-100-TFMSHCH**

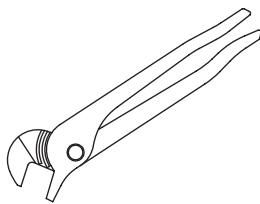




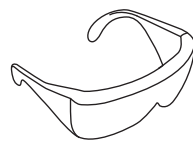
## RECOMMENDED TOOLS



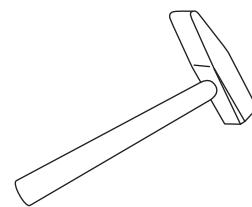
Screwdriver



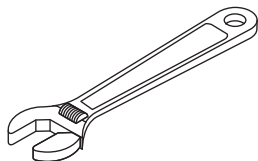
Channel Locks



Goggles



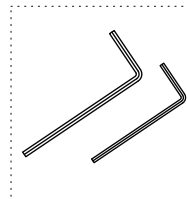
Hammer



Adjustable Wrench



Teflon tape



Allen key



**WARNING:**  
Please keep the  
tool for future use!

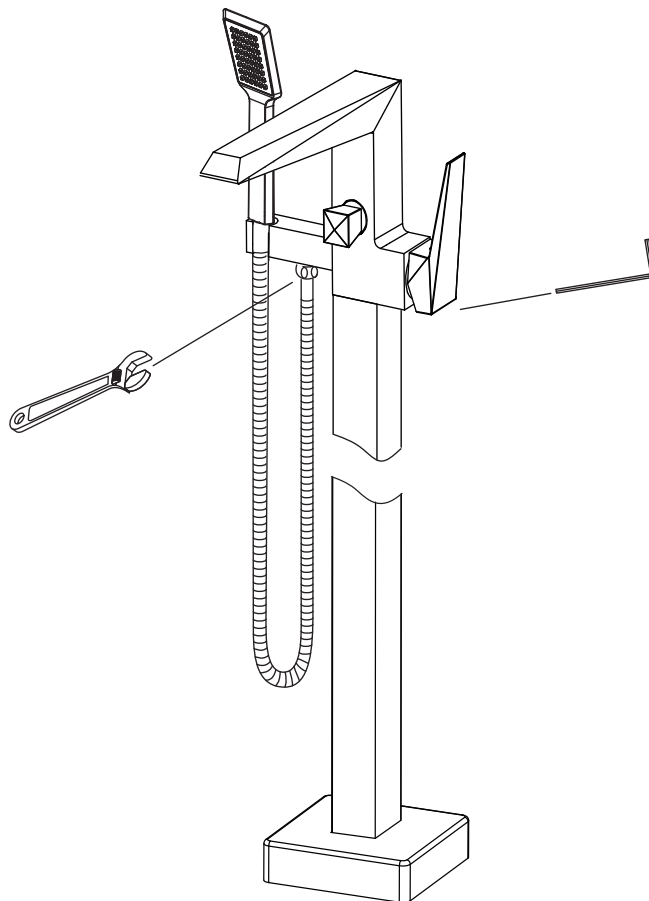


### ATTENTION:

for easy installation, you will need:

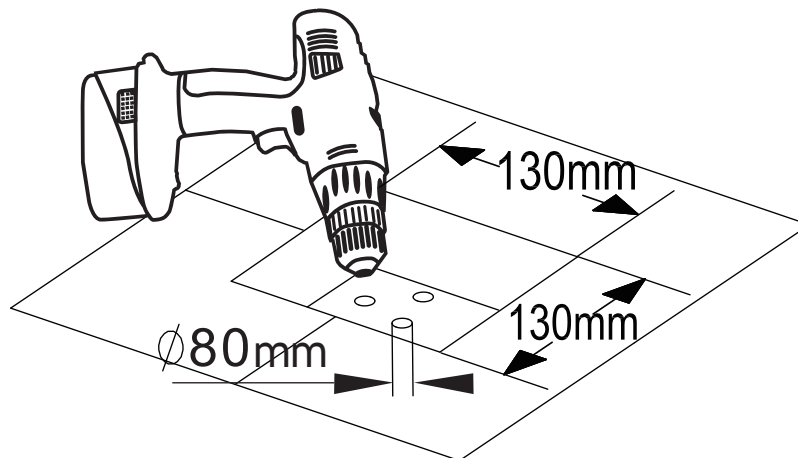
1. To read all the installation instruction completely before beginning.
2. To read all the warning, attention and maintenance information.

### THE TOOLS MIGHT BE APPLIED TO THE FOLLOWING PLACES:

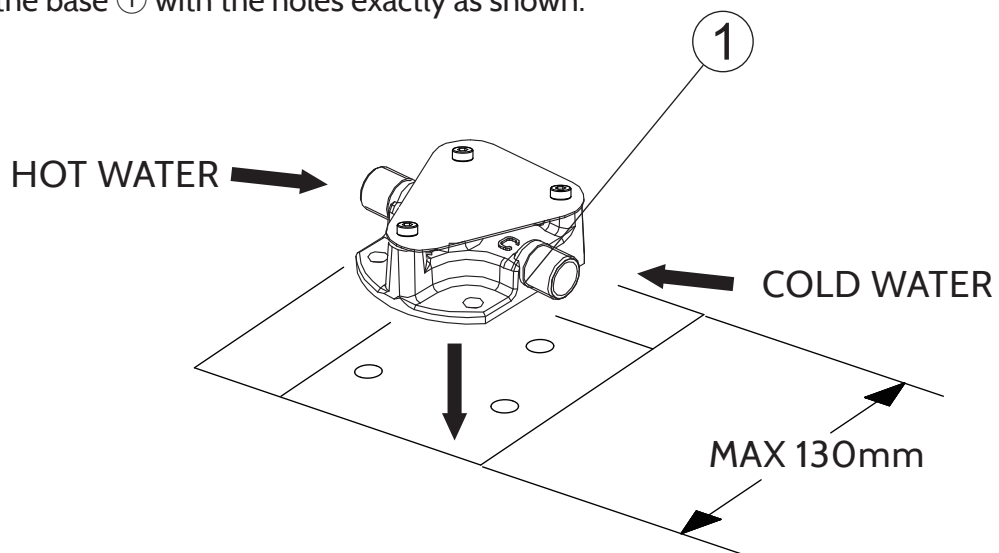


# FAUCET INSTALLATION

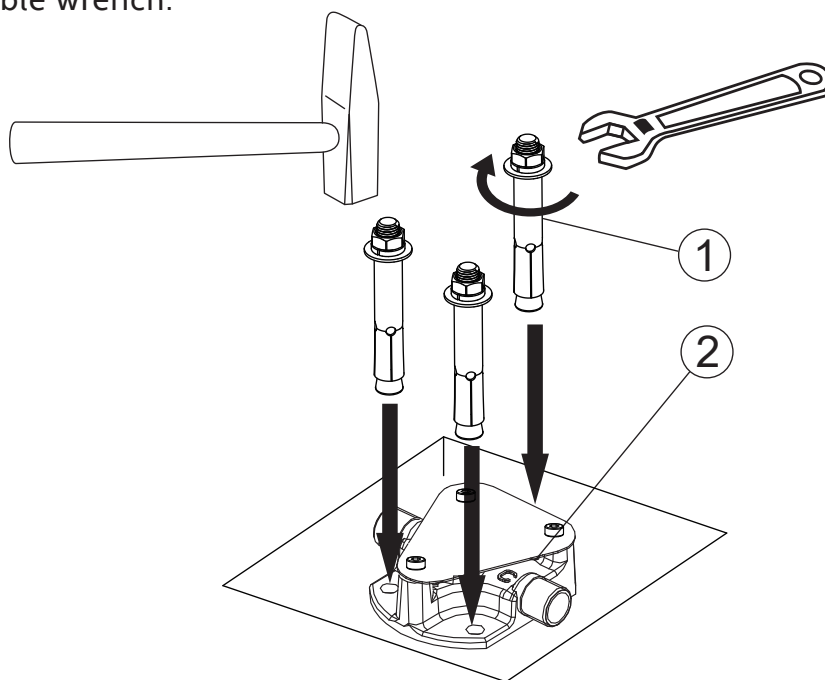
1. Drill one hole of 130mmx130mm max and drill 3 holes with 80mm diameter as shown.



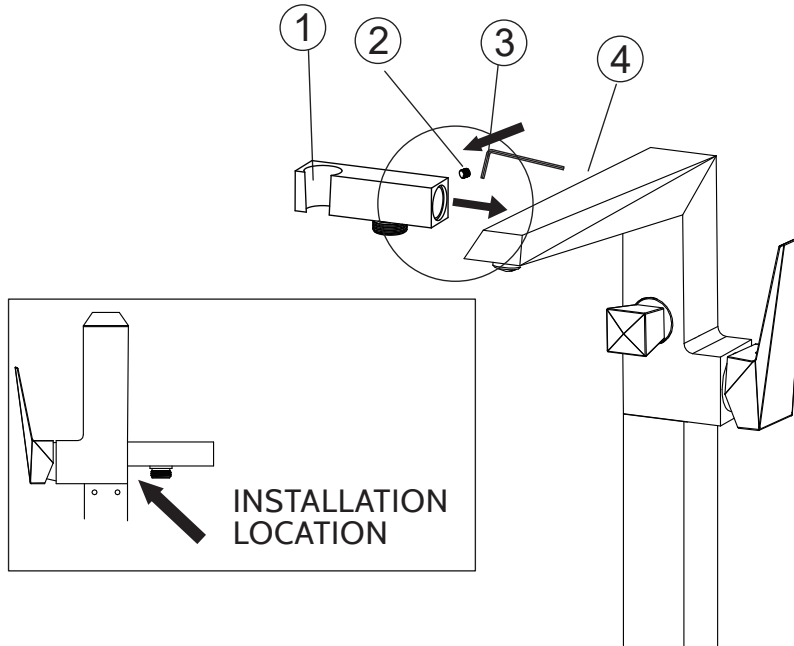
2. Align the base ① with the holes exactly as shown.



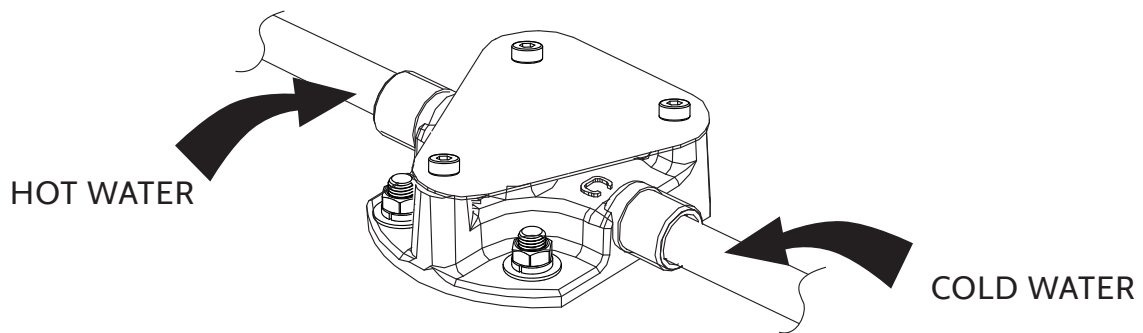
3. Insert the expansion anchors ① into the holes on the base ② with a hammer, tighten with adjustable wrench.



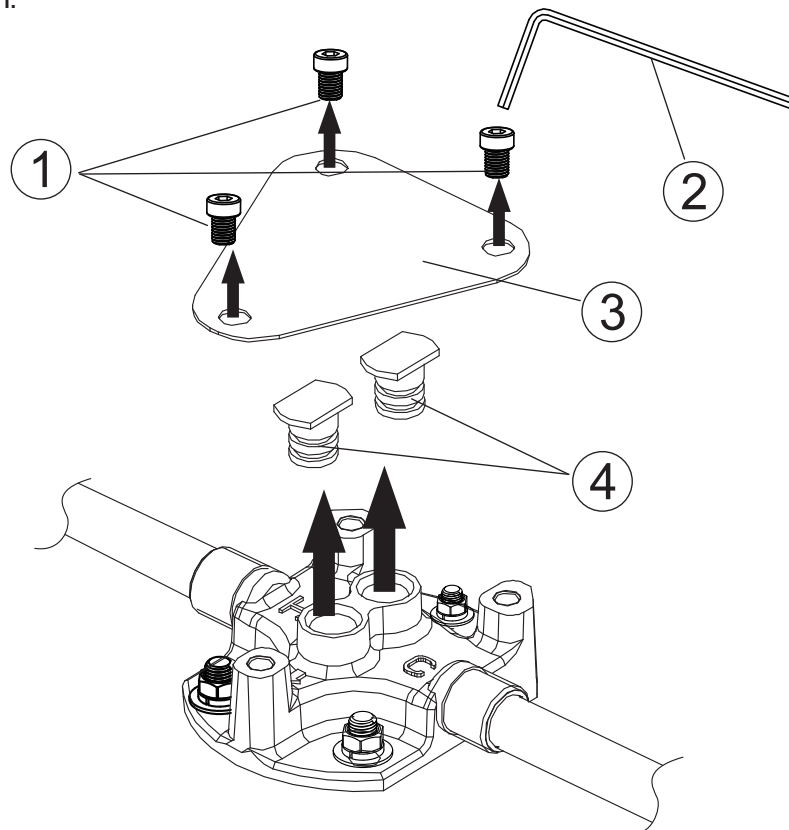
4. Tighten the shower holder<sup>①</sup> into faucet body<sup>④</sup> with a screw<sup>②</sup> and Allen key<sup>③</sup>.



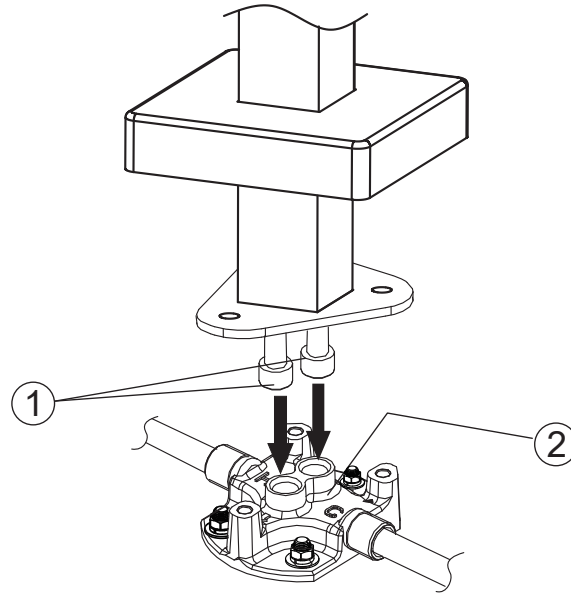
5. Connect hot and cold supply lines and test by opening water lines.



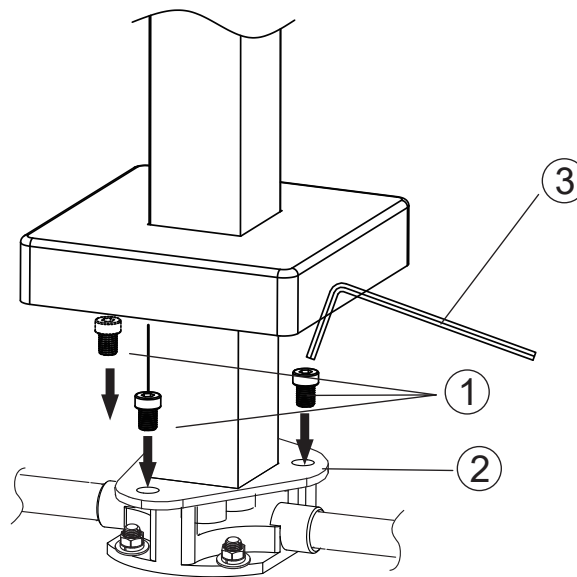
6. If there are no leaks, remove the 3 screws (1) with the Allen key (2), then remove plate (3) and nuts (4) as shown.



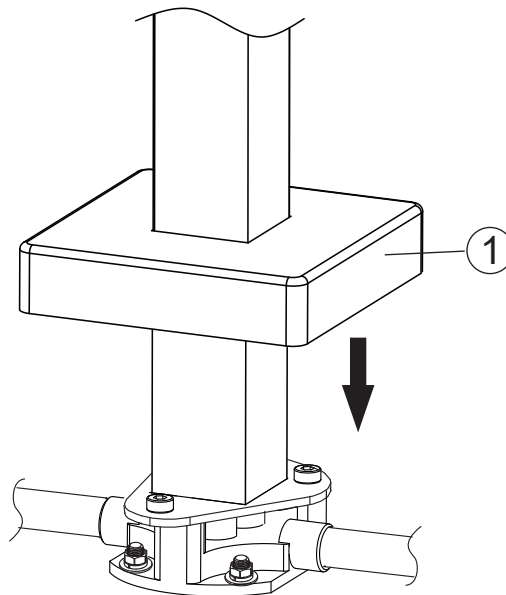
7. Connect hot water flexible hose(1) and cold water flexible hose(1) to the base (2) correctly as shown.



8. Insert 3 screws (1) into holes on the plate (2), Tighten with allen key (3).

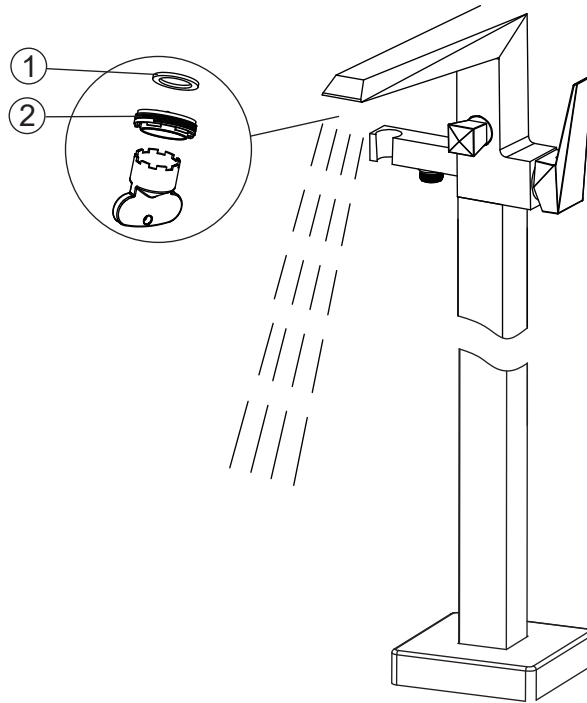


9. Put down cover (1) and complete installation.

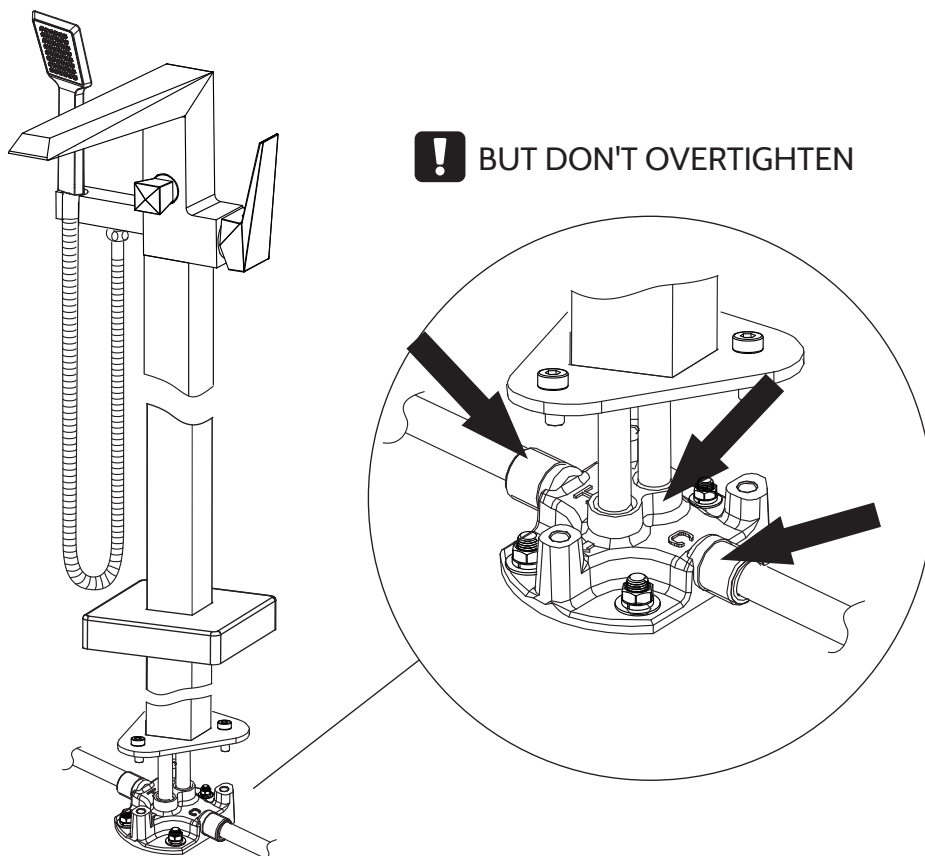


# CHECKING AND TESTING

1. Remove the aerator ② with aerator wrench, take out the o-ring ① too. Turn the faucet handle all the way on, turn on hot and cold water supply and flush water lines for one minute. Reinstall aerator with aerator wrench.

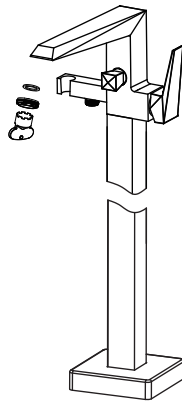


2. Check all connections at arrows for leaks, re-tighten it if necessary.



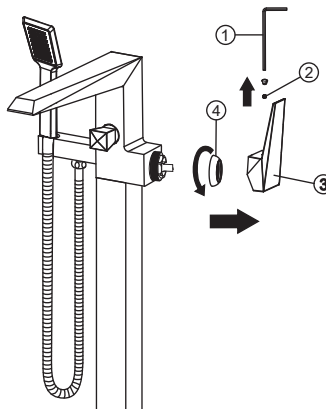
# MAINTENANCE

- A. If there is splash or low flow rate, please remove the aerator with the wrench and clean the debris.

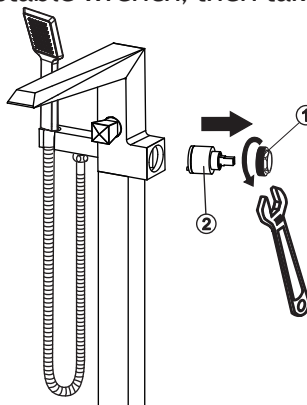


- B. If faucet leaks from the handle or drips from spout, please replace cartridge following the following steps:

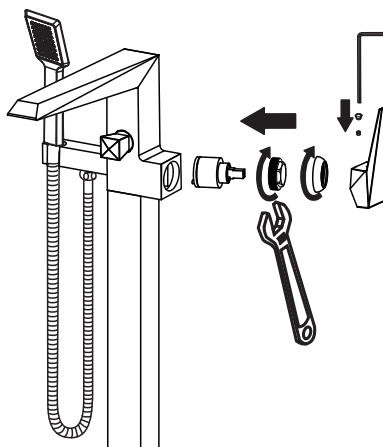
1. Disassemble the screw ② with allenkey ①, take out the handle ③, then remove the trim cap ④.



2. Unscrew the cartridge nut ① with adjustable wrench, then take out the old cartridge ②.



3. Place a new cartridge in the cartridge seat, then screw the cartridge lock nut and assemble the handle by securing the screws. Repeat the above steps for the other cartridge if necessary.



# CLEANING AND CARE

Daily cleaning and care are required in order to keep the product shining and properly working.

1. Clean it with water and dry it with soft cloth.
2. Clean the product with gentle liquid or glass cleaner.
3. Don't use acid cleaner.
4. Don't clean with abrasive material, abrasive paper or knife.

# PARTS LIST

