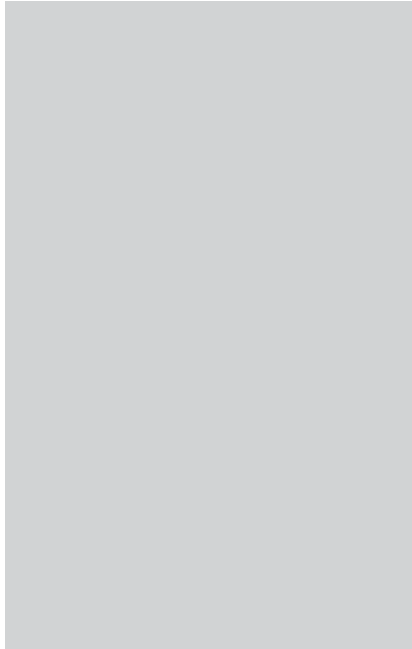


WA54M8750AV

SAMSUNG

Samsung activewash™ Top-Load Washer

5.4 cu. ft. Capacity DOE



Signature Features

activewash™

- Built-in sink for pretreatment.

5.4 cu. ft. Capacity

- Largest capacity in its class.*

*Based on USDOE/EPA listing, 27" Width Top Load Washer as of December 2016.

Steam Wash

- Uses the power of steam to remove stains without pretreatment.

Available Colors



Black Stainless Steel



White



activewash™



5.4 cu. ft. Capacity

Features

- activewash™
- 5.4 cu. ft. Capacity
- Steam Wash
- Super Speed
- Wi-Fi Connectivity
- VRT Plus®
- Self Clean
- Smart Care
- Integrated Controls
- Swirl Interior Drum Design
- EZ Drawer Dispenser
- 800 RPM Maximum Spin Speed
- Stainless Steel Pulsator
- Direct Drive Motor

- Internal Heater
- 12 Preset Wash Cycles
- 11 Options
- LED Display: Ice Blue
- Door Lid: Chrome Deco
Transparent Curved Glass
- EZ Door (Damping)

Convenience

- Child Lock
- Delay End
- 6 Temperature Settings
- 5 Spin Settings
- 5 Soil Settings
- Dispenser Trays: Main Wash,
Softener, Bleach (Manual)

Rating



ENERGY STAR®-rated

IMEF = X.XX

IWF = X.X

XXX kWh/yr



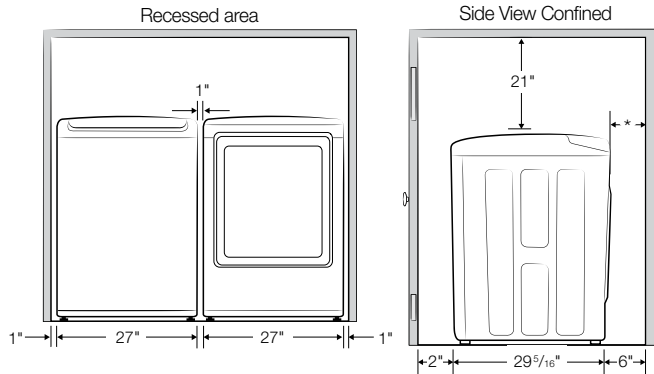
WA54M8750AV

SAMSUNG

Samsung activewash™ Top-Load Washer

5.4 cu. ft. Capacity DOE

Installation Specifications

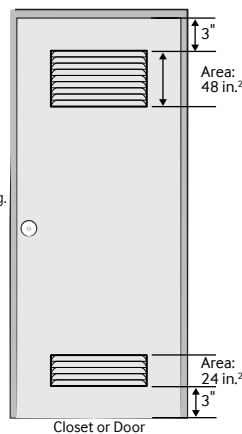


Minimum clearances for closets and alcoves:

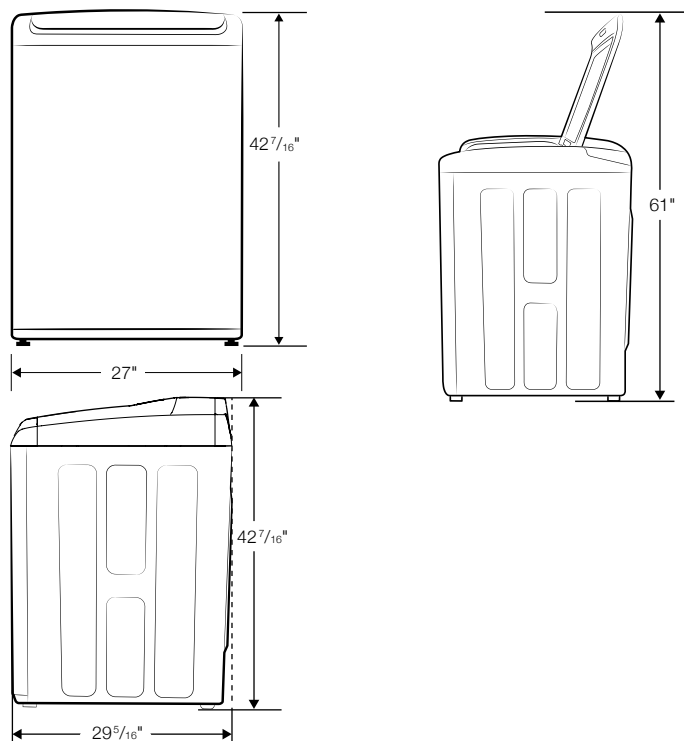
Sides – 1"
Top – 21"
Rear – 6"
Closet Front – 2"

If the washer and dryer are installed together, the closet front must have at least a 72-inch² unobstructed air opening. Your washer alone does not require a specific air opening.

*External exhaust elbow may require additional space.



Dimensions



12 Preset Wash Cycles:

Normal, Super Speed, Bedding/WaterProof, Heavy Duty, Permanent Press, Steam Sanitize, Brilliant Whites, Delicates/Hand Wash, Quick Wash, Rinse and Spin, Spin Only, Deep Wash

11 Options:

Self Clean, Delay End, My Cycle, Pre Soak, Extra Rinse, Sound On/Off, Child Lock, Fabric Softener, Smart Care, Smart Control, Eco Plus

6 Temperature Settings:

Extra Hot, Hot, Warm, Eco Warm, Cold, Cool

5 Spin Settings:

Extra High, High, Medium, Low, No Spin

5 Soil Settings:

Heavy, Heavy Medium, Normal, Low Medium, Light

2 Sound Level Settings:

On/Off

Dispenser Trays:

Main Wash, Softener, Bleach (Manual)

Warranty

One (1) Year Parts and Labor
One (1) Year Control Board
Three (3) Years Stainless Steel Drum
Ten (10) Years Direct Drive Motor

Product Dimensions & Weight (WxHxD)

Dimensions: 27" x 42⁷/₁₆" x 29⁵/₁₆"
Weight: 136.7 lbs

Shipping Dimensions & Weight (WxHxD)

Dimensions: 29¹/₂" x 45⁵/₈" x 31"
Weight: 145.5 lbs

Color	Model #	UPC Code
Black Stainless Steel	WA54M8750AV	887276197005
White	WA54M8750AW	887276196893

Matching Dryer (Electric/Gas)

Black Stainless Steel	DV54M8750EV	887276197005
White	DV54M8750EW	887276196893
Black Stainless Steel	DV54M8750GV	887276197043
White	DV54M8750GW	887276197050