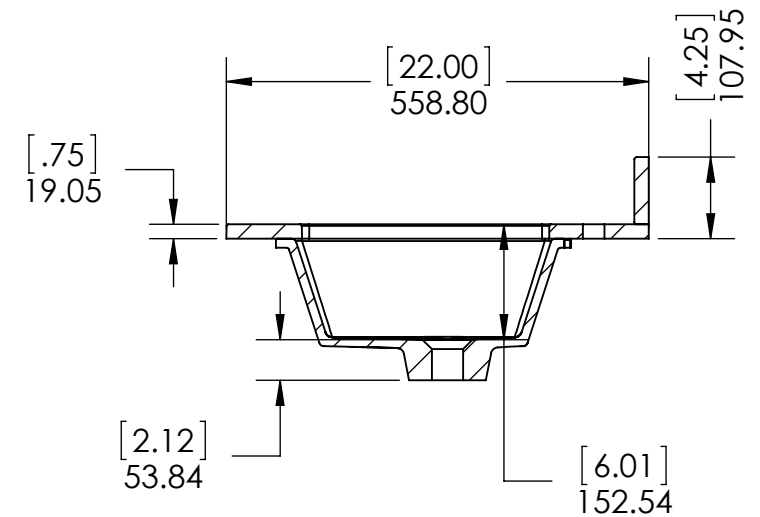
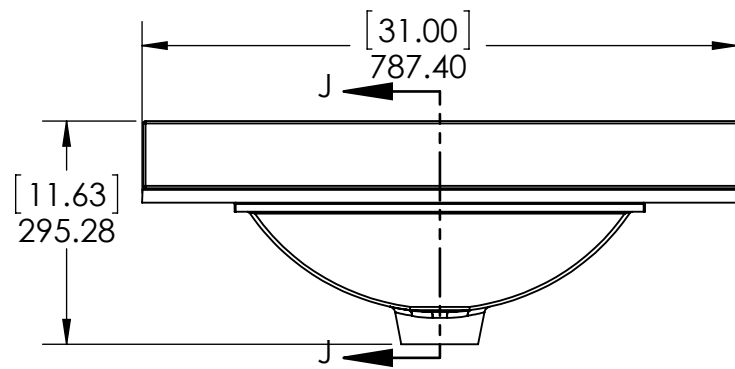
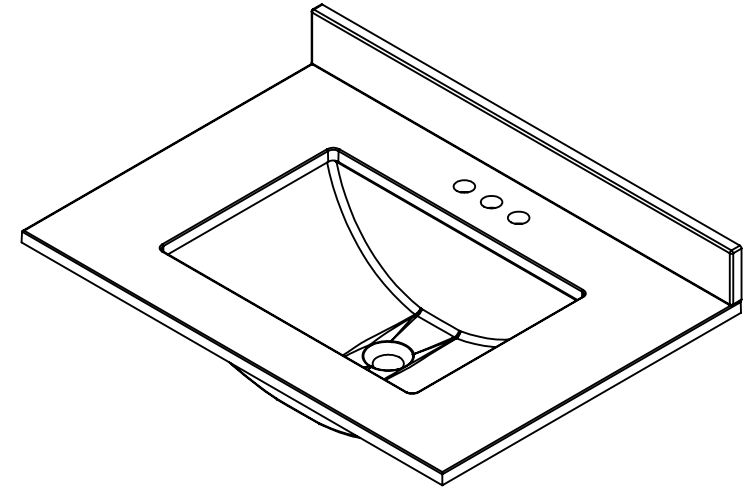
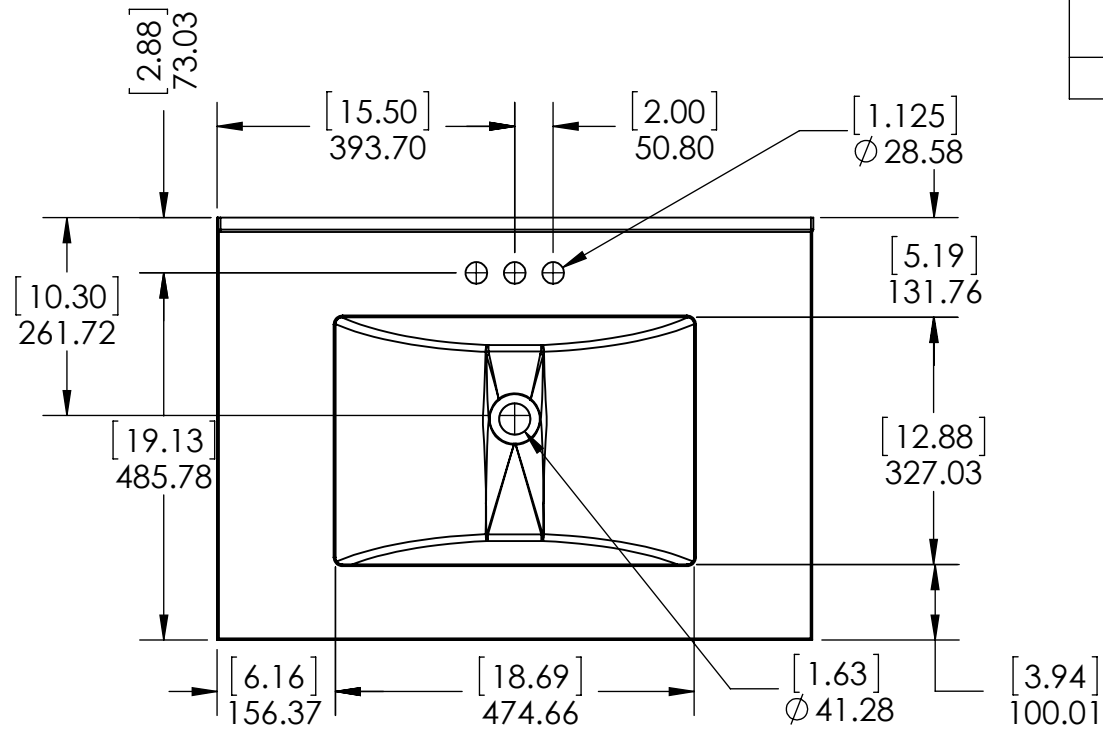


Rev #	Approved by	Change
0	R. Rubio	Released
1	O. Razo	New model added
2	R. Rubio	New Models Added



**PROPRIETARY AND CONFIDENTIAL**  
 THE INFORMATION CONTAINED IN THIS DRAWING IS THE SOLE PROPERTY OF WOODCRAFTERS. ANY REPRODUCTION IN PART OR AS A WHOLE WITHOUT THE WRITTEN PERMISSION OF WOODCRAFTERS IS PROHIBITED.

UNLESS OTHERWISE SPECIFIED  
 DIMENSIONS ARE IN MM. AND (INCHES)  
 TOLERANCES ARE  
 +0.125 [3.175] -0.125 [-3.175]  
 SCALE:1:10

	NAME	DATE
DRAWN	R. Rubio	08/22/16
CHECKED	R. Rubio	08/22/16
ENG APPR.	R. Rubio	08/22/16
MFG APPR.	C. Leal	08/22/16

**Wood Crafters**  
 Vtop Stone Effect, Rect 31x22  
 SIZE DWG. NO. A  
 SHEET 1 OF 2  
 REV. 2

ID	Description	Technology	Status
SER31-AV	31 in. Stone Effects Vanity Top in Avalon with White Basin	Stone Effect	Approved for production
SER31-CO	31 in. Stone Effects Vanity Top in Cold Fusion with White Basin	Stone Effect	Approved for production
SER31-DN	31 in. Stone Effects Vanity Top in Dune with White Basin	Stone Effect	Approved for production
SER31-MI	31 in. Stone Effects Vanity Top in Mayan Ivory with White Basin	Stone Effect	Approved for production
SER31-RU	31 in. Stone Effects Vanity Top in Rustic Gold with White Basin	Stone Effect	Approved for production
SER31-SN	31 in. Stone Effects Vanity Top in SandShell with White Basin	Stone Effect	Approved for production
SER31-WM	31 in. Stone Effects Vanity Top in Winter Mist with White Basin	Stone Effect	Approved for production
SE31R-PR	31 in. Stone Effects Vanity Top in Pulsar White Basin	Stone Effect	Approved for production
SE31R-MG	Vtop Rect 31x22 SE Mineral Gray 4in	Stone Effect	Approved for production
SE3122R-LR	Vtop Rect 31x22in SE Lunar	Stone Effect	Approved for production
SE3122R-RS	Vtop Rect 31x22in SE River Stone	Stone Effect	Approved for production

Rev #	Approved by	Change
0	R. Rubio	Released
1	O. Razo	New model added
2	R. Rubio	New Models Added

**PROPRIETARY AND CONFIDENTIAL**  
 THE INFORMATION CONTAINED IN THIS DRAWING IS THE SOLE PROPERTY OF WOODCRAFTERS. ANY REPRODUCTION IN PART OR AS A WHOLE WITHOUT THE WRITTEN PERMISSION OF WOODCRAFTERS IS PROHIBITED.

UNLESS OTHERWISE SPECIFIED  
 DIMENSIONS ARE IN MM. AND (INCHES)  
 TOLERANCES ARE  
 + 0.125 [3.175] - 0.125 [-3.175]  
 SCALE:1:10

	NAME	DATE
DRAWN	R. Rubio	08/22/16
CHECKED	R. Rubio	08/22/16
ENG APPR.	R. Rubio	08/22/16
MFG APPR.	C. Leal	08/22/16

