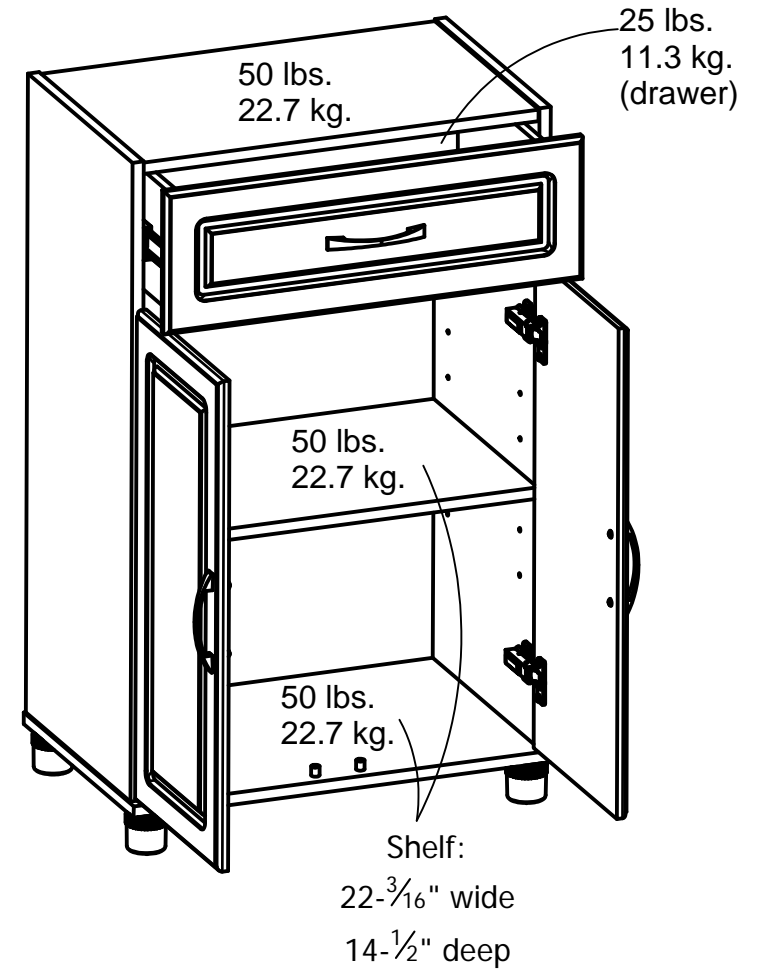
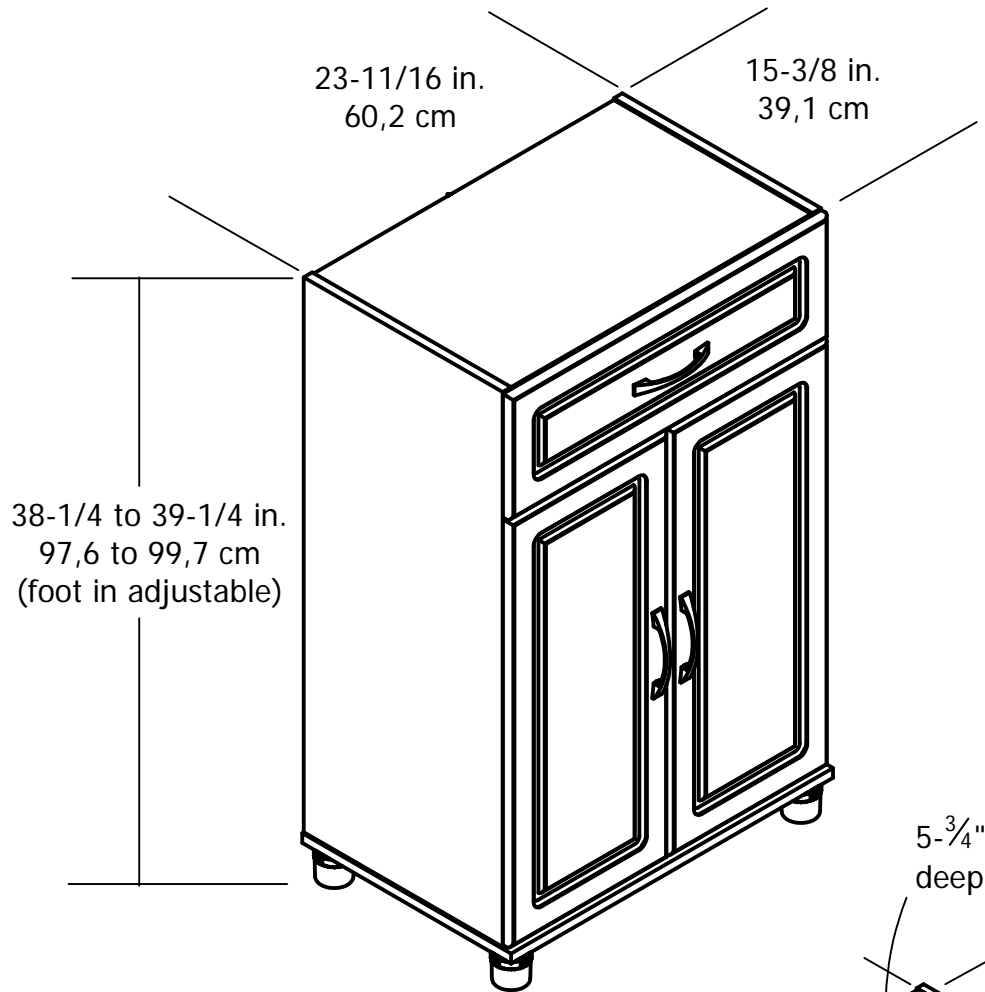


UNIT DESCRIPTION

1 DRAWER / 2 DOOR CABINET

ASSEMBLED DIMENSIONS (H X W X D)

38-1/4" X 23-11/16" X 15-3/8"
97.6cm X 60.2cm X 39.1cm



FINISH: (401) WHITE AQUASEAL
(403) ONTARIO WHITE (DRAWER FRONT)
WEIGHT: 60 LBS (27.22 KG)