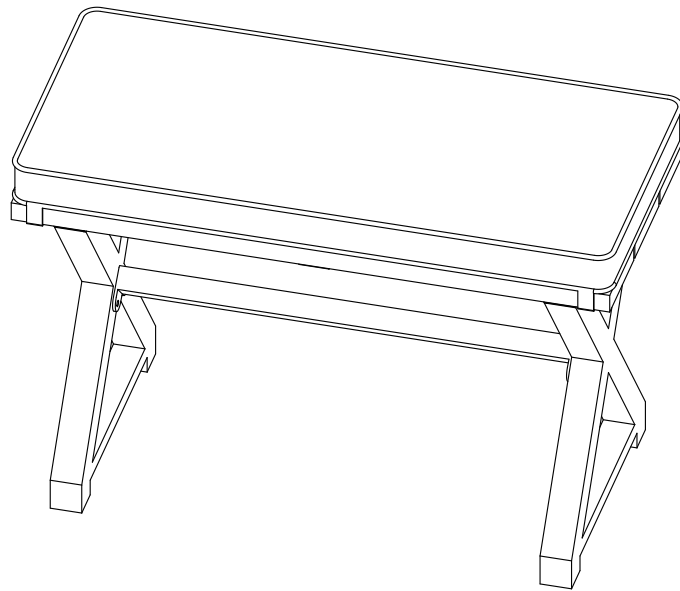




Item #xxxx xxx xxx/xxxx xxx xxx
Model #1152c_CH

USE AND CARE GUIDE

FARMHOUSE BENCH WITH CUSHION



Questions, problems, missing parts? Before returning to the store,
call Hampton Bay Customer Service
8 a.m. – 7 p.m., EST, Monday – Friday, 9 a.m. – 6 p.m., EST, Saturday

1-855-HD-HAMPTON

HAMPTONBAY.COM

THANK YOU

We appreciate the trust and confidence you have placed in Hampton Bay through the purchase of this chair. We strive to continually create quality products designed to enhance your home. Visit us online to see our full line of products available for your home improvement needs. Thank you for choosing Hampton Bay!

Table of Contents

Table of Contents	2	Hardware Included	4
Safety Information	2	Package Contents	5
Warranty	3	Assembly	6
What is Covered	3	Care and Cleaning	7
What is Not Covered	3		
Pre-Assembly	4		
Planning Assembly	4		

Safety Information

SAVE THESE INSTRUCTIONS READ ALL INSTRUCTIONS BEFORE USE

To reduce the risk of injury to persons:

1. Close supervision is necessary when this furnishing is used by or near children, or disabled persons, if applicable.
2. Use this furnishing only for its intended use as described in these instructions. Do not use attachments not recommended by the manufacturer.



DANGER: Please keep children out of the assembly area at all times.



IMPORTANT: Please check the tightness of the bolts at least every 90 days.

Pre-Assembly

PLANNING ASSEMBLY

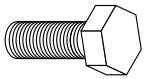
PLEASE READ COMPLETE INSTRUCTION MANUAL PRIOR TO ASSEMBLY!

Identify all parts packed in the carton against the parts list. Remove all protective materials and place the parts on a non-abrasive surface to avoid scratching.

HARDWARE INCLUDED



NOTE: Hardware not shown to actual size.



_____ AA



_____ BB



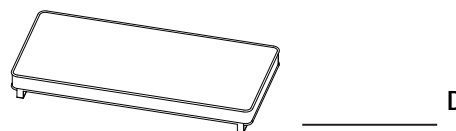
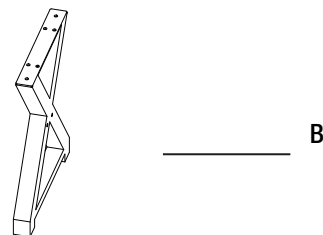
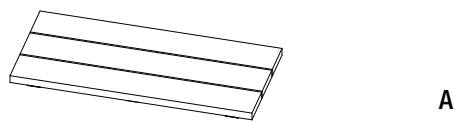
_____ CC



_____ DD

Part	Description	Quantity
AA	M6*20 Hex Bolt	12+1
BB	M6 Washer	12+1
CC	M6 Hex Bolt Cap	12+1
DD	Hex Wrench	1

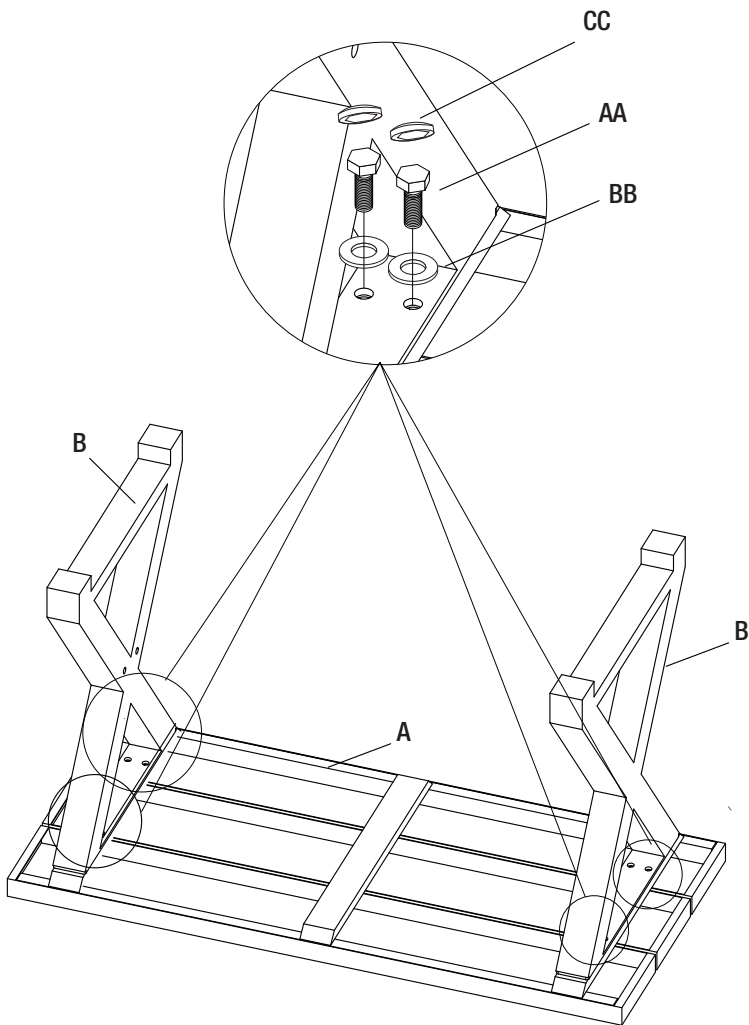
PACKAGE CONTENTS



Part	Description	Quantity
A	Seat Frame	1
B	Leg	2
C	Support bar	1
D	Cushion	1

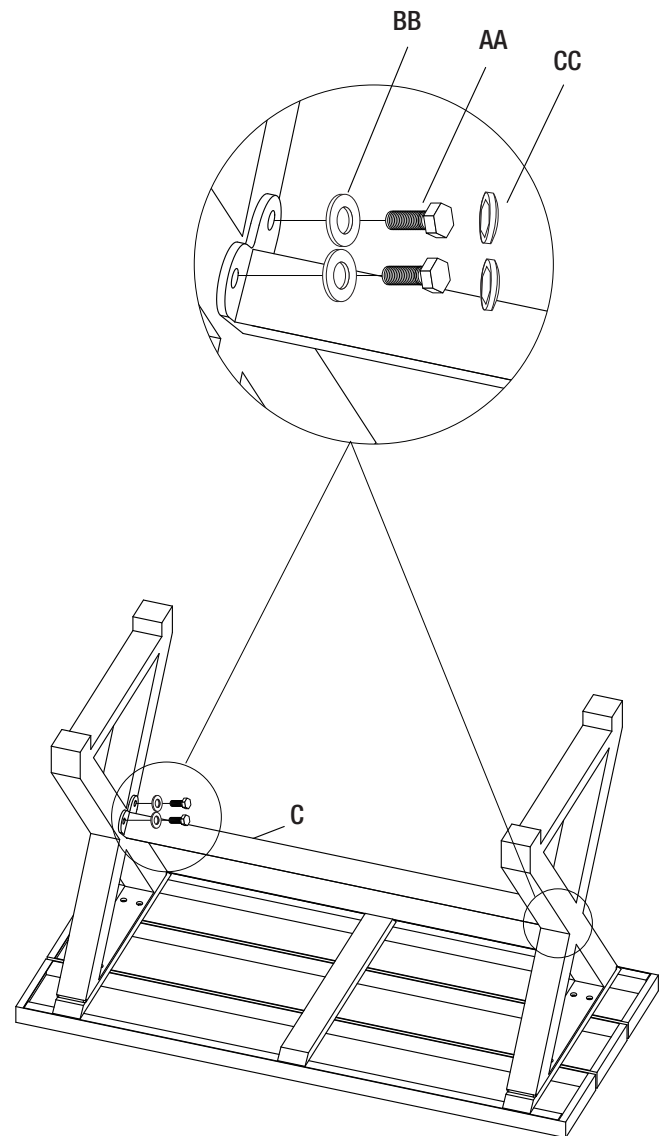
1 Attaching The Leg

- Place the seat frame (A) on a soft, flat non-abrasive surface.
- Attach the legs (B) to the seat (A) using the M6*20 hex bolts (AA) and washers (BB). DO NOT FULLY TIGHTEN THE BOLTS, ONLY HAND TIGHTEN UNTIL ASSEMBLY IS COMPLETE. THEN FULLY TIGHTEN WITH PROVIDED WRENCH.




2 Attaching The Support Bar

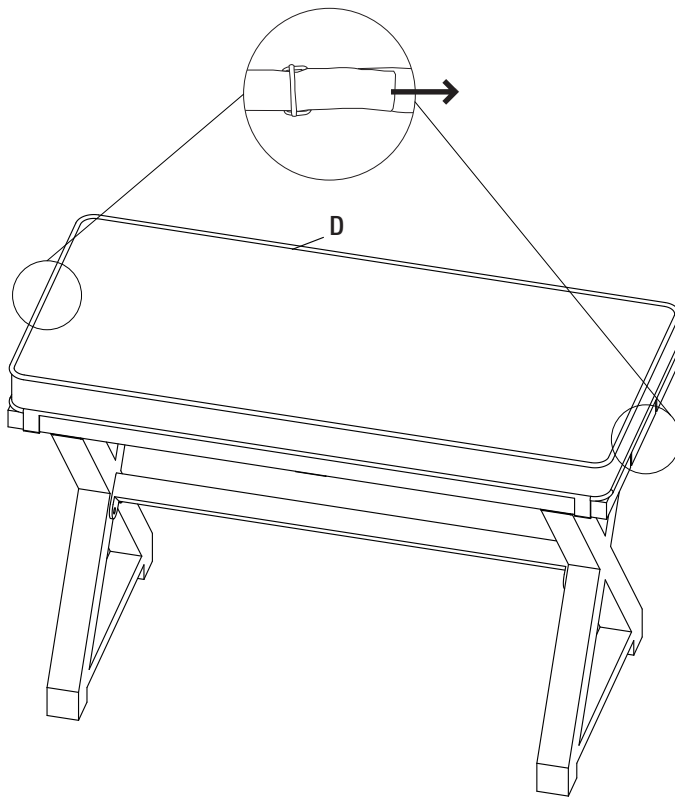
- Attach the support bar (C) to table legs (B) using M6*20 hex bolts (AA) and washers (BB).
- Please ensure all the bolts are assembled correctly. Tighten all the hex bolts (AA) with the hex wrench (DD). Attach the hex bolt caps (CC).



3 Attaching The Cushion

- Turn the bench over and set it down on its legs. Put the cushion (D) onto the seat (A) and attach the cushion using the buckle on the strap.
- The bench is now ready for use.

 **DANGER:** Please ensure you attach the seat cushion using the provided straps to seat frames to prevent sliding or slipping off the bench.





Questions, problems, missing parts? Before returning to the store,
call Hampton Bay Customer Service
8 a.m. – 7 p.m., EST, Monday – Friday, 9 a.m. – 6 p.m., EST, Saturday

1-855-HD-HAMPTON

HAMPTONBAY.COM

Retain this manual for future use.