

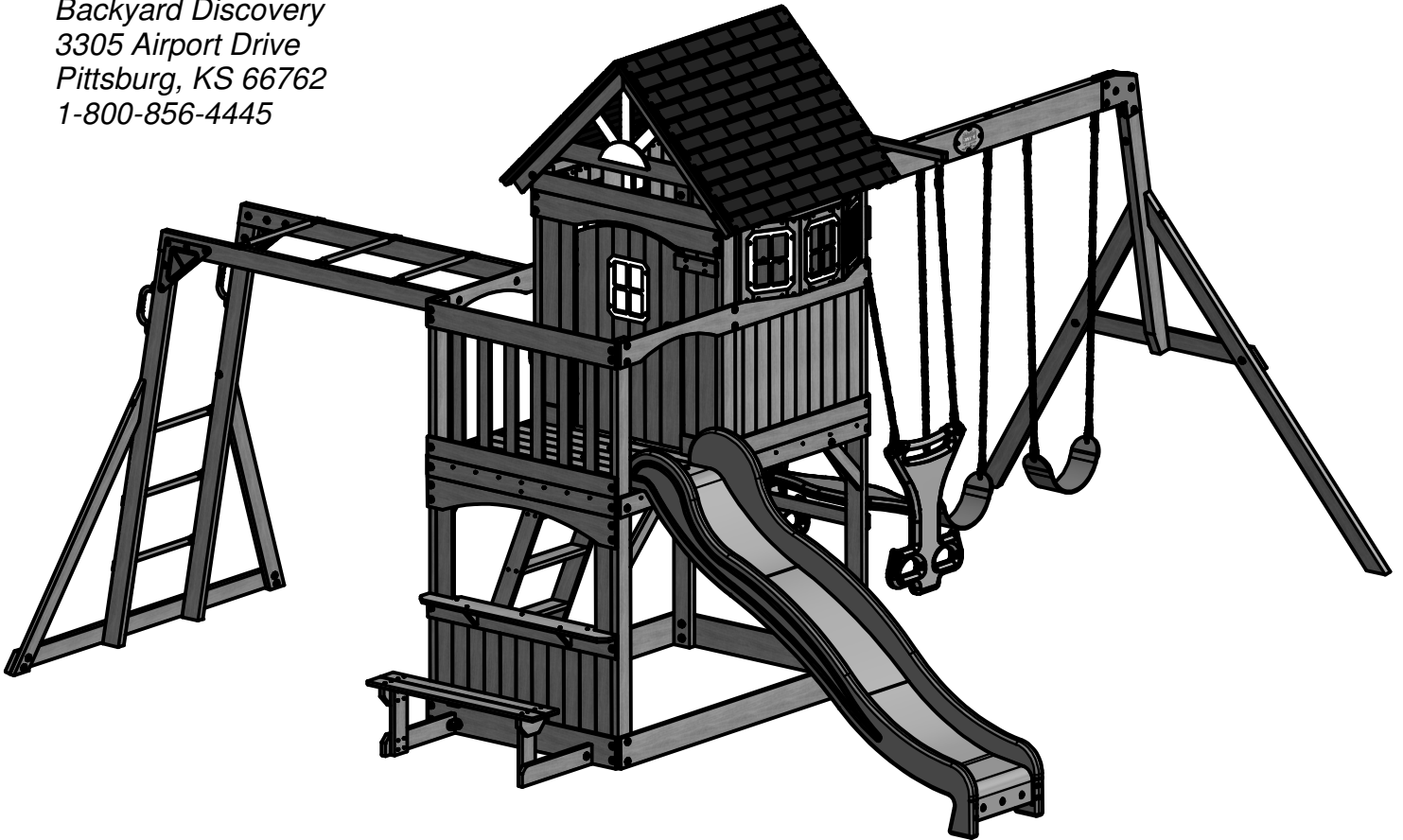


# **MONTPELIER**

## **WOODEN PLAY SET**

### **MODEL: 30211**

*Backyard Discovery  
3305 Airport Drive  
Pittsburg, KS 66762  
1-800-856-4445*



- *Owner's Manual*
- *Frequently Asked Questions*
- *Assembly Instructions*
- *Warranty Information*

*Register your new swing set on-line @ [www.swingsetonline.com](http://www.swingsetonline.com)  
(you will also find any updates on assembly instructions and  
information to order replacement parts)*

*Features the **SAFE-T-FUSE** fastening system.*

Patent Pending

*Save this assembly manual for future reference in the event that  
you need to order replacement parts.*

# STOP PARE

Missing A Part?

**CALL US BEFORE GOING  
BACK TO THE STORE!**

The store where you made your purchase  
does not stock parts for this item.

If you have assembly questions or if you need parts,  
whether they are missing or damaged

Call Toll-Free Help Line or visit [www.swingsetsonline.com](http://www.swingsetsonline.com)

**¡LLÁMENOS ANTES DE REGRESAR A LA TIENDA!**

La tienda donde realizó la compra no almacena piezas de este producto.

Si tiene preguntas sobre el ensamblaje o si necesita piezas debido a que  
faltan o están dañadas

llame gratis a la línea de ayuda

## 1-800-856-4445

### **PLEASE READ THIS BEFORE STARTING ASSEMBLY POR FAVOR LEA ESTAS INSTRUCCIONES ANTES DE COMENZAR EL ENSAMBLAJE**

- READ THE ASSEMBLY MANUAL COMPLETELY, PAYING SPECIAL ATTENTION TO THE IMPORTANT TIPS AND SAFETY INFORMATION.
- AFTER YOU HAVE READ THE ASSEMBLY MANUAL, YOU WILL BE ABLE TO DECIDE IF YOU NEED PROFESSIONAL HELP TO COMPLETE THE ASSEMBLY OF THE STRUCTURE.
- SEPARATE AND IDENTIFY ALL PARTS TO MAKE SURE THAT YOU HAVE ALL OF THE PARTS LISTED.
- IF YOU CAN'T FIND ALL OF THE PARTS, CHECK THE PACKING MATERIAL. SMALL PARTS MAY HAVE FALLEN INTO IT DURING SHIPMENT.
- IF YOU HAVE PROBLEMS WITH THE ASSEMBLY OR IF ANY PART IS MISSING OR DAMAGED, PLEASE CALL THE HELP LINE **1-800-856-4445 OR VISIT [www.swingsetsonline.com](http://www.swingsetsonline.com)**
- LEA EL MANUAL DE ENSAMBLAJE COMPLETAMENTE, PRESTANDO ESPECIAL ATENCIÓN A LOS CONSEJOS ÚTILES IMPORTANTES Y A LA INFORMACIÓN SOBRE SEGURIDAD.
- DESPUÉS DE QUE HAYA LEÍDO EL MANUAL DE ENSAMBLAJE, PODRÁ DECIDIR SI NECESITA AYUDA PROFESIONAL PARA EFECTUAR EL ENSAMBLAJE DE LA ESTRUCTURA.
- SEPARE E IDENTIFIQUE TODAS LAS PIEZAS PARA COMPROBAR QUE DISPONE DE TODAS LAS PARTES INDICADAS.
- SI NO PUEDE ENCONTRAR TODAS LAS PIEZAS, REVISE EL MATERIAL DE EMPAQUE. ES POSIBLE QUE ALGUNAS PIEZAS PEQUEÑAS PUEDAN HABERSE CAÍDO ALLÍ DURANTE EL ENVÍO.
- MANTÉNGASE ALEJADO DE LOS NIÑOS MENORES A LA EDAD RECOMENDADA.
- SI TIENE PROBLEMAS CON EL ENSAMBLAJE O SI ALGUNA PIEZA FALTA O ESTÁ DAÑADA, LLAME A LA LÍNEA DE AYUDA AL **1-800-856-4445 O VISITE [www.swingsetsonline.com](http://www.swingsetsonline.com)**

PLEASE HAVE THE FOLLOWING INFORMATION WHEN YOU MAKE YOUR CALL:

- 1 – MODEL NUMBER OF THE PRODUCT LOCATED ON THE FRONT OF THE ASSEMBLY MANUAL
- 2 – DESCRIPTION OF THE PART FROM THE PARTS LIST

POR FAVOR TENGA VISIBLE LA SIGUIENTE INFORMACIÓN CUANDO LLAME:

- 1 - NÚMERO DE MODELO DEL PRODUCTO QUE SE ENCUENTRA UBICADO AL FRENTE DEL MANUAL DE ENSAMBLAJE
- 2 - DESCRIPCIÓN DE LA PIEZA QUE SE ENCUENTRA EN LA LISTA DE PIEZAS



# Owner's Manual Play Set

**Please refer to the Assembly section of the Assembly Manual for Maximum Fall Height.**

## **Positioning Your Playcenter**

1. The Playcenter is designed to be installed on a level surface **by an Adult with an Adult helper**. Place in a flat area of your yard to minimize ground preparation.
2. Choose a level location for the equipment. This can reduce the likelihood of the play set tipping over and loose-fill surfacing material washing away during heavy rains.
3. Place the equipment not less than **6 ft (1.8 m)** from any structure or obstruction such as a fence, garage, house, overhanging branches, laundry lines, or electrical wires.
4. Provide enough room so that the children can use the equipment safely. For example, for structures with multiple play activities, a slide should not exit in front of a swing.
5. It is a good idea to place your Playcenter in an area that is convenient for adults to watch children at play.
6. Create a site free of obstacles that could cause injuries – such as low overhanging tree branches, overhead wires, tree stumps and/or roots, large rocks, bricks and concrete. Additional suggestions in the Suggested Playground Surfacing Section.
7. Do not build your playset on top of surfacing material.
8. Locate bare metal platforms and slides out of direct sunlight to reduce the likelihood of serious burns. A slide that faces north will receive the least direct sunlight.
9. Separate active and quiet activities from each other. For example, locate sandboxes away from swings or use a guardrail or barrier to separate the sandbox from the movement of the swings.

## **Suggested Playground Surfacing**

- ❑ Do not install home playground equipment over concrete, asphalt, packed earth, grass, carpet, or any other hard surface. A fall onto a hard surface can result in serious injury to the equipment user.
- ❑ Do not install loose fill surfacing over hard surfaces such as concrete or asphalt.
- ❑ Shredded bark mulch, wood chips, fine sand and fine gravel, are added as shock absorbing materials after assembly. If used properly these materials can absorb some of the impact of a child's fall.
- ❑ All surface material should extend a minimum of 6 feet in all directions around the play area.
- ❑ Do not apply playground surfacing until after the unit is completely constructed. Playset should not be built on top of surfacing.
- ❑ Use containment, such as digging out around the perimeter and/or lining the perimeter with landscape edging.
- ❑ Installations of rubber tiles or poured-in-place surfaces (other than loose-fill materials) generally require a professional and are not "do-it-yourself" projects.
- ❑ Shall use Playground Surfacing Materials (other than loose-fill material) which comply with the safety standard **ASTM F1292** Standard Specification of Impact Attenuation of Surfacing Materials within the Use Zone of Playground Equipment.

## Owner's Manual Play Set

The following chart explains the fall height in feet from which a life threatening head injury would not be expected

### Critical Heights in feet (m) of Tested Materials

Material	Uncompressed Depth			Compressed Depth
	6" (152mm)	9" (228mm)	12" (304mm)	to 9" (228mm)
Wood Chips	7' (2.13m)	10' (3.05m)	11' (3.35m)	10' (3.05m)
Double-Shredded bark mulch	6' (1.83m)	10' (3.05m)	11' (3.35m)	7' (2.13m)
Engineered Wood Fibers	6' (1.83m)	7' (2.13m)	>12' (3.66m)	6' (1.83m)
Fine Sand	5' (1.52m)	5' (1.52m)	9' (2.74m)	5' (1.52m)
Coarse Sand	5' (1.52m)	5' (1.52m)	6' (1.83m)	4' (1.22m)
Fine Gravel	5' (1.52m)	7' (2.13m)	10' (3.05m)	6' (1.83m)
Medium Gravel	5' (1.52m)	5' (1.52m)	6' (1.83m)	5' (1.52m)
Shredded Tires*	10-12' (3.0-3.6m)	N/A	N/A	N/A

\*This data is from tests conducted by independent testing laboratories on a 6-inch depth of uncompressed shredded tire samples produced by four manufacturers. The tests reported critical heights, which varied from 10 feet to greater than 12 feet. It is recommended that persons seeking to install shredded tires as a protective surface request test data from the supplier showing the critical height of the material when it was tested in accordance with ASTM F1292.

### Operating Instructions:



**NOTE:** Your children's safety is our #1 concern. Observing the following statements and warnings reduces the likelihood of serious or fatal injury. Please review these safety rules regularly with your children.

1. This Playcenter is designed for specific number of occupants whose combined weight **should not exceed** a designated weight on the elevated floor or the swing area, the total Unit capacity is outlined in the Basic Setup Dimensions section of instruction manual. The maximum fall height and recommended play area is also available in the Basic Setup Dimensions section of the manual for the specific unit.
2. On-site adult supervision is **required**.
3. Instruct children **not** to walk close to, in front of, behind, or between moving swings or other moving playground equipment.
4. Instruct children to sit in and **never** stand on swings
5. Instruct children **not** to twist the chains and ropes and not to loop them over the top support bar, since this may reduce the strength of the chain or rope.
6. Instruct children **not** to jump from swings or other playground equipment in motion.
7. Instruct children to **not to push** empty seats. The seat may hit them and cause serious injury.
8. Instruct and teach children to sit in the center of the swings with their full weight on the seats.
9. Instruct children **not** to use the equipment in a manner other than intended.
10. Instruct children to **always** go down slides feet first. Never slide head first.
11. Instruct children to **look** before they slide to make sure no one is at the bottom.
12. Instruct children to **never** run up a slide, as this increases their chances of falling.
13. The parents should **dress children appropriately**. (Examples would include the use of well-fitting shoes and the avoidance of ponchos, scarfs, and other loose-fitting clothing that is potentially hazardous while using equipment).
14. Instruct children **not** to climb when the equipment is wet.
15. Instruct children to **never** jump from a fort deck. They should always use the ladder, ramp or slide.
16. Instruct children to **never** crawl or walk across the top of monkey bars.
17. Instruct children to **never** crawl on top of a fort roof.

## Owner's Manual Play Set

---

18. Verify that any suspended climbing ropes, chain, or cable are secured at both ends and that they cannot be looped back on it.
19. Instruct children **not** to attach items to the playground equipment that are not specifically designed for use with the equipment, such as, but not limited to, jump ropes, clothesline, pet leashes, cables and chain as they may cause a strangulation hazard.
20. Instruct children to **never** wrap their legs around swing chain.
21. Instruct children to **never** slide down the swing chain.
22. Instruct children to remove their bike or other sports helmet before playing on playground equipment.

### **Maintenance Instructions:**

#### **At the beginning of each play season:**

- Tighten all hardware.
- Lubricate all metallic moving parts per manufacturer's instructions.
- Check all protective coverings on bolts, pipes, edges, and corners. Replace if they are loose, cracked, or missing.
- Check all moving parts including swing seats, ropes, cables, and chains for wear, rust, or other deterioration. Replace as needed.
- Check metal parts for rust. If found, sand and repaint using a non Lead-based paint meeting the requirements of **16 CFR 1303**.
- Check all wood members for deterioration and splinters. Sand down splinters and replace deteriorating wood members.
- Reinstall any plastic parts, such as swing seats or any other items that were removed for the cold season.
- Rake and check depth of loose fill protective surfacing materials to prevent compaction and to maintain appropriate depth. Replace as necessary.

#### **Twice a month during play season:**

- Tighten all hardware.
- Check all protective coverings on bolts, pipes, edges, & corners. Replace if they are loose, cracked, or missing.
- Rake and check depth of loose fill protective surfacing materials to prevent compaction and to maintain appropriate depth. Replace as necessary.
- Once a month during play season.
- Lubricate all metallic moving parts per manufacturer's instructions.
- Check all moving parts including swing seats, ropes, cables, and chains for wear, rust, or other deterioration. Replace as needed.

#### **At the end of each play season or when the temperature drops below 32° F:**

- Remove plastic swing seats and other items as specified by the manufacturer and take indoors or do not use.
- Rake and check depth of loose fill protective surfacing materials to prevent compaction and to maintain appropriate depth. Replace as necessary.

**Owners shall be responsible for maintaining the legibility of the warning labels.**

# Owner's Manual Play Set

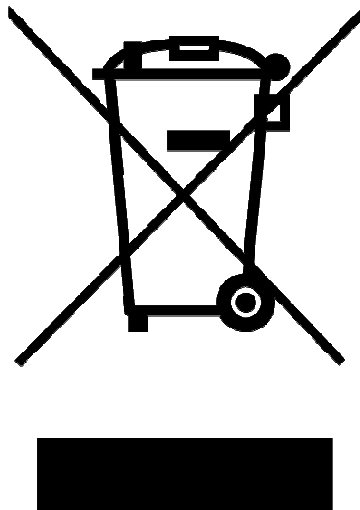
---

## **Additional Maintenance:**

- Check the swing beam and hardware every two weeks due to wood expansion and contraction. It is particularly important that this procedure be followed at the beginning of each season.
- Inspect wood parts monthly. The grain of the wood sometimes will lift in the dry season causing splinters to appear. Light sand may be necessary to maintain a safe playing environment. Treat your playset with stain regularly, to help prevent severe checking/splitting and other weather damage.
- A waterbourne transparent stain has been applied to your playset. This is done for color only. Once or twice a year, depending on your climate conditions, you must apply some type of protection (sealant) to the wood of your unit. Prior to the application of sealant, lightly sand any "rough" spots on your playset. **Please note this is a requirement of your warranty.**
- Assembling and maintaining the playset on a level location is very important. As your children play, your playset will slowly dig its way into the soil, and it is very important that it settles evenly. Make sure the playset is level and true one each year or at the beginning of each play season.

## **Disposal Instructions:**

When the Playcenter use is no longer desired, it should be disassembled and disposed of in such a way that no unreasonable hazards will exist at the time the unit is discarded.



## **Third Party Assembly:**

Customer may, in their sole discretion, elect to use a third party person or service to assemble this product. Backyard Discovery assumes no responsibility or liability for any charge incurred by the Customer for any assembly services'.

Please see our warranty for more information about damaged and missing part replacement coverage. Backyard Discovery will not reimburse Customer for the price of parts purchased.

# Owner's Manual Play Set

## APPENDIX A

### Information on Playground Surfacing Materials:

The following information is from the **United States Consumer Product Safety Commission's Information Sheet for playground surfacing material**; also see the following website for additional information: [www.cpsc.gov/cpscpub/pubs/323.html](http://www.cpsc.gov/cpscpub/pubs/323.html).

#### X3. SECTION 4 OF THE CONSUMER PRODUCT SAFETY COMMISSION'S OUTDOOR HOME PLAYGROUND SAFETY HANDBOOK<sup>9</sup>

X3.1 *Select Protective Surfacing*—One of the most important things you can do to reduce the likelihood of serious head injuries is to install shock-absorbing protective surfacing under and around your play equipment. The protective surfacing should be applied to a depth that is suitable for the equipment height in accordance with ASTM Specification **F 1292**. There are different types of surfacing to choose from; whichever product you select, follow these guidelines:

##### X3.1.1 Loose-Fill Materials:

X3.1.1.1 Maintain a minimum depth of 9 inches of loose-fill materials such as wood mulch/chips, engineered wood fiber (EWF), or shredded/recycled rubber mulch for equipment up to 8 feet high; and 9 inches of sand or pea gravel for equipment up to 5 feet high. **NOTE:** An initial fill level of 12 inches will compress to about a 9-inch depth of surfacing overtime. The surfacing will also compact, displace, and settle, and should be periodically refilled to maintain at least a 9-inch depth.

X3.1.2 Use a minimum of 6 inches of protective surfacing for play equipment less than 4 feet in height. If maintained properly, this should be adequate. (At depths less than 6 inches, the protective material is too easily displaced or compacted.) **NOTE:** Do not install home playground equipment over concrete, asphalt, or any other hard surface. A fall onto a hard surface can result in serious injury to the equipment user. Grass and dirt are not considered protective surfacing because wear and environmental factors can reduce their shock absorbing effectiveness. Carpeting and thin mats are generally not adequate protective surfacing. Ground level equipment such as a sandbox, activity wall, playhouse or other equipment that has no elevated play surface – does not need any protective surfacing.

X3.1.3 Use containment, such as digging out around the perimeter and/or lining the perimeter with landscape edging. Don't forget to account for water drainage.

X3.1.3.1 Check and maintain the depth of the loose-fill surfacing material. To maintain the right amount of loose-fill materials, mark the correct level on play equipment support posts. That way you can easily see when to replenish and/or redistribute the surfacing.

X3.1.3.2 **Do not** install loose-fill surfacing over hard surfaces such as concrete or asphalt.

X3.1.4 Poured-In-Place Surfaces or Pre-Manufactured Rubber Tiles — You may be interested in using surfacing other than loose-fill materials – like rubber tiles or poured-in-place surfaces.

X3.1.4.1 Installations of these surfaces generally require a professional and are not “do-it-yourself” projects.

X3.1.4.2 Review surface specification before purchasing this type of surfacing. Ask the installer/manufacturer for a report showing that the product has been tested to the following safety standard: ASTM **F 1292** Standard Specification for Impact Attenuation of Surfacing Materials within the Use Zone of Playground Equipment. This report should show the specific height for which the surface is intended to protect against serious head injury. This height should be equal to or greater than the fall height – vertical distance between a designated play surface (elevated surface for standing, sitting, or climbing) and the protective surfacing below – of your play equipment.

X3.1.4.3 Check the protective surfacing frequently for wear.

X3.1.5 Placement — Proper placement and maintenance of protective surfacing is essential. Be sure to:

X3.1.5.1 Extend surfacing at least 6 feet from the equipment in all directions.

X3.1.5.2 For to-fro swings, extend protective surfacing in front of and behind the swing to a distance equal to twice the height of the top bar from which the swing is suspended.

<sup>9</sup> This information has been extracted from the CPSC publications “Playground Surfacing — Technical Information Guide” and “Handbook for Public Playground Safety.” Copies of these reports can be obtained by sending a postcard to the: Office of Public Affairs, U.S. Consumer Product Safety Commission, Washington, D.C., 20207 or call the toll-free hotline: 1-800-638-2772.

The American Society for Testing and Materials takes no position respecting the validity of any parent right asserted in connection with any item mentioned in this standard. Users of this standard are expressly advised that determination of the validity of any such parent rights, and the risk of infringement of such rights, are entirely their own responsibility.

The standard is subject to revision at any time by the responsible technical committee and must be reviewed every five years and if not revised, either approved or withdrawn. Your comments are invited either for revision of this standard or for additional standards and should be addressed to ASTM Headquarters. Your comments will receive careful consideration at a meeting of the responsible technical committee, which you may attend. If you feel that your comments have not received a fair hearing you should make your views known to the ASTM Committee on Standards. 100 Barr Harbor Drive, West Conshohocken, PA 19428.



## **Play Set Assembly Manual FAQs:**

1. Does the area for the playset need to be level?

Yes. Backyard Discovery recommends the playset be positioned on a flat level area for maximum safety and durability. The stakes provided should be used to secure it firmly to the ground.

2. What size area is recommended for the playset?

Backyard Discovery recommends at least a 6' (six foot) perimeter around and above the playset for maximum safety.

3. What age range is appropriate for the playsets?

Backyard Discovery playsets are recommended for children ages 3 – 10 years.

4. Is the wood treated with chemicals?

Backyard Discovery uses 100% Chinese Cedar wood which is naturally bug resistant, decay and rot resistant. To help ensure your child's safety, our wood is completely chemical free and we do not use pressure-treated wood. The stain we use is a top coat using a water-based product that is for appearance only.

5. How often should the playset be stained?

Backyard Discovery recommends the playset be stained once each year. A water or oil based stain can be used at the customer's discretion.

6. Why does it seem that my swing set is developing cracks?

Wood is a natural material; no two pieces are exactly alike. Each piece has its own characteristics and personality and reacts differently to climate changes. When any wood product is exposed to the elements, it develops "wood checks". A check is the radial separation of the wood fibers running with the grain of the wood. These are caused by the varying temperature and moisture conditions. A check is not a crack – it does not affect the strength or durability of the wood or structural integrity of the play set.

7. Do Backyard Discovery playsets come with a warranty?

Yes. All Backyard Discovery products carry a 1-year replacement warranty on all parts for manufacturer's defect. Our wood carries a 5 year warranty on rot and decay as well. Please see warranty details for more information.

8. What is the best way to get started assembling the playset?

Backyard Discovery recommends taking all the parts out of the boxes and arranging them by part number before you begin any assembly. This will not only allow faster assembly, but will also identify any parts that may be missing or damaged so they can be replaced before assembly. If parts are missing or need replacement, go to [www.swingsetonline.com/support.aspx](http://www.swingsetonline.com/support.aspx) and follow the prompts to order them. Next, read the assembly manual and get the tools ready for the job as recommended in the manual. If the assembly manual is lost or misplaced a new one can be printed from Backyard Discovery's website: [www.swingsetonline.com](http://www.swingsetonline.com).

9. The playset seems to rock or sway too much. What's wrong?

Rocking is caused by uneven ground or obstructions such as rocks, roots, etc. under the ground rails. These should be removed and the ground underneath re-leveled to prevent rocking. Also ensure the playset is securely staked to the ground using the stakes provided.

10. The 2"x4" boards do not measure 2"x 4". Why not?

In the U.S. it is common practice to describe lumber dimensions using the rough cut sizes from the sawmill and not the finished dimensions. Retailers, home stores, etc. all use this accepted practice for describing lumber dimensions. However, Backyard Discovery playsets are designed and constructed using the actual dimensions so everything fits properly and remains so during the life of the playset.

11. The end beam is not straight up and down. Why not?

This is normal. Backyard Discovery designs playsets this way to ensure the strongest structure possible. The slight angle adds strength and reduces rocking and twisting.

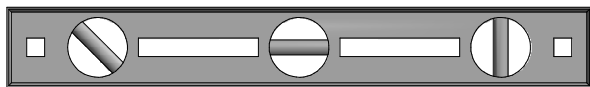
12. The S-hooks for the swings won't close. What is wrong?

Backyard Discovery recommends placing them on a hard surface such as concrete (don't do this on anything that will dent such as metal or finished wood or glass which will break!). It will take quite a few strokes, but the hooks will close.

For more information and frequently asked questions, please refer to our website at [www.swingsetonline.com](http://www.swingsetonline.com).

# Tools Required for Installation:

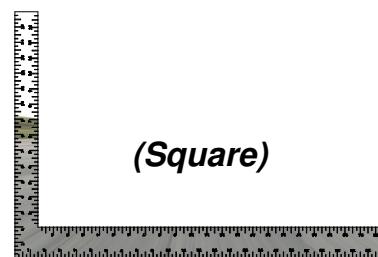
(These are the tools that are generally required for assembly of our swing sets. These tools are not included in the swing set purchase.)



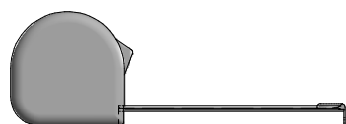
**(Level 24")**



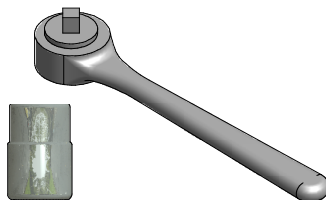
**(Open End Wrenches 1/2")**



**(Square)**



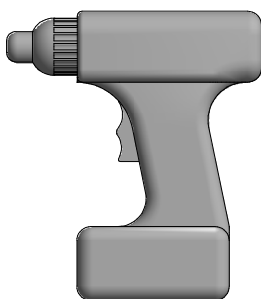
**(Tape Measure)**



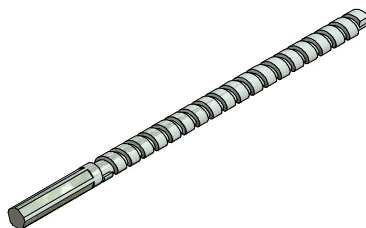
**(3/8" Drive Ratchet, 1/2" STD  
Sockets 1/2" Deep Sockets)**



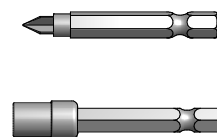
**(Claw Hammer)**



**(Cordless Drill or Electric Drill)**



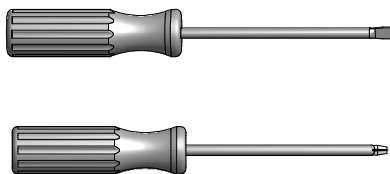
**(3/16" , 5/16" , 1/8" & 3/8" Drill Bits)**



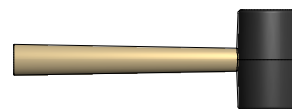
**(Drill Attachments: Phillips  
Head & Socket Driver)**



**(An Adult w/ an Adult Helper)**



**(Phillips & Straight  
Blade Screw Drivers)**



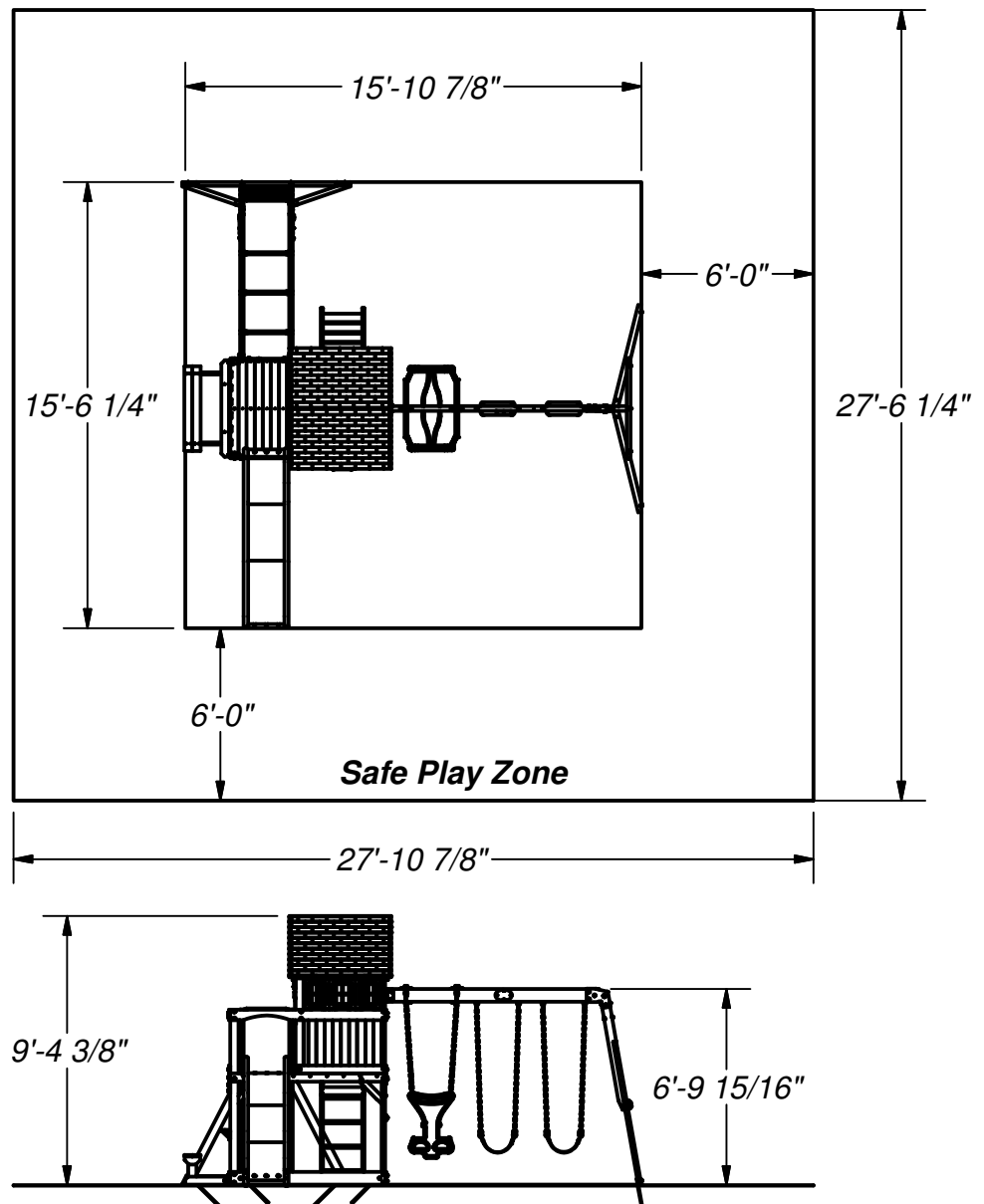
**(Rubber Mallet - Optional)**



**(Ladder)**

# Basic Setup Dimensions

27'-10 7/8"  
Place the set on level ground, not less than 6 ft [2 m] from any structure or obstruction such as a fence, garage, house, overhanging branches, laundry lines, or electrical wires.



## General Information:

Your set has been designed and engineered for children only and for residential use only.

A maximum of 150 lbs. per child is recommended for play activities designed for individual use.

A maximum of 120 lbs. per child is recommended for play activities designed for multiple child use.

A maximum of 9 children is recommended for this swing set.

## Important Assembly Notes

Safe play height: 15'-4 3/8" [4.6 m]  
Maximum fall height: 6'-4 1/2" [1.9 m]

- 1) While assembling unit, take time before and after each phase to make sure fort is level. If fort is not level, assembly will be difficult and improper assembly may result. Extra care must be taken to ensure the fort is square.
- 2) Tighten bolts securely, tighten nuts on bolts flush to the tube or member.
- 3) Pay close attention to the ITEMS NEEDED FOR EACH PHASE. They can be a valuable aid when sorting your wood and hardware. Assembly will be made easier if items are sorted by phase.
- 4) Pay close attention to make sure you are using the correct hardware in the correct phases. Using incorrect hardware may result in improper assembly.
- 5) Whenever a T-nut is used, follow these directions. Place T-nut in pre-drilled hole. Tap in with hammer. Place bolt with washers in the opposite side. Hand tighten to make sure the bolt is in the T-nut. DO NOT over tighten.
- 6) Read the steps of each phase thoroughly. The written steps may include important information not shown in the illustrations.

# Parts Identification

## Wood Components

(NOT TO SCALE)



(1) **M77 - SLIDE BRACE - W100544**  
5/8"x3 3/8"x17 1/4" (16x86x438)



(2) **M78 - CENTER SLIDE BRACE - W100545**  
5/8"x3 3/8"x17 1/4" (16x86x438)



(2) **K1 - GROUND BOARD - W4L06820**  
5/8"x5 1/4"x64 3/4" (16x134x1644)



(1) **K2 - GROUND BOARD - W4L06821**  
5/8"x5 1/4"x40 3/8" (16x134x1024)



(1) **E2 - UPRIGHT - W4L06822**  
1 3/8"x3 3/8"x73 1/8" (36x86x1856)



(1) **M1 - FLOOR SUPPORT - W4L06823**  
5/8"x3 3/8"x64 3/4" (16x86x1644)



(2) **M2 - FLOOR SUPPORT - W4L06824**  
5/8"x3 3/8"x40 3/8" (16x86x1024)



(1) **E3 - UPRIGHT - W4L06825**  
1 3/8"x3 3/8"x89 1/2" (36x86x2274)



(1) **N1 - SAFETY BOARD - W4L06826**  
5/8"x2 3/8"x40 3/8" (16x60x1024)



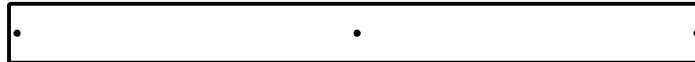
(1) **K3 - FLOOR SUPPORT - W4L06827**  
5/8"x5 1/4"x40 3/8" (16x134x1024)



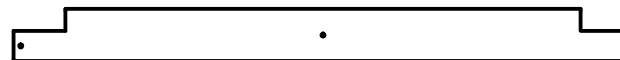
(1) **M3 - FLOOR SUPPORT - W4L06828**  
5/8"x3 3/8"x40 3/8" (16x86x1024)



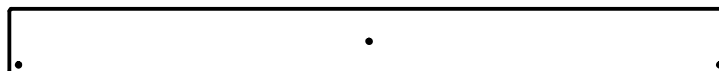
(1) **J1 - JOIST - W4L06829**  
1"x2 3/8"x64 3/4" (24x60x1644)



(2) **M4 - FLOOR BOARD - W4L06830**  
5/8"x3 3/8"x40 3/8" (16x86x1024)



(1) **M5 - FLOOR BOARD - W4L06831**  
5/8"x3 3/8"x40 3/8" (16x86x1024)



(1) **M6 - FLOOR BOARD - W4L06832**  
5/8"x3 3/8"x37 1/2" (16x86x952)

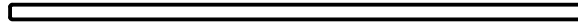


(2) **S1 - FLOOR SUPPORT - W4L06833**  
1"x1"x59 7/8" (24x24x1522)

# Parts Identification

## Wood Components

(NOT TO SCALE)



- (1) **S2 - FLOOR SUPPORT - W4L06834**  
1"x1"x37 1/2" (24x24x952)



- (1) **S3 - FLOOR SUPPORT - W4L06835**  
1"x1"x33 1/2" (24x24x852)



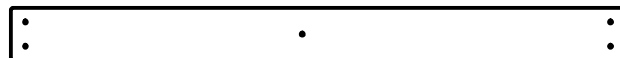
- (1) **M7 - FLOOR SUPPORT - W4L06836**  
5/8"x3 3/8"x40 3/8" (16x86x1024)



- (1) **M8 - FLOOR SUPPORT - W4L06837**  
5/8"x3 3/8"x40 3/8" (16x86x1024)



- (1) **K4 - GROUND BOARD - W4L06838**  
5/8"x5 1/4"x40 3/8" (16x134x1024)



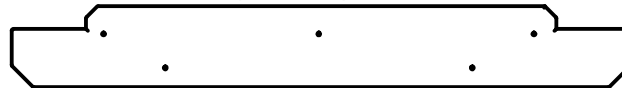
- (2) **M9 - WALL BOARD - W4L06839**  
5/8"x3 3/8"x40" (16x86x1016)



- (9) **M10 - WALL BOARD - W4L06840**  
5/8"x3 3/8"x20" (16x86x508)



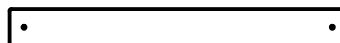
- (2) **H1 - TABLE SUPPORT - W4L06841**  
1"x2"x4" (24x51x102)



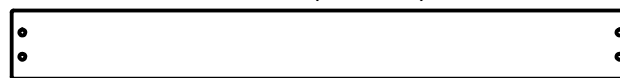
- (1) **K5 - COUNTER TOP - W4L06842**  
5/8"x5 1/4"x40 3/8" (16x134x1024)



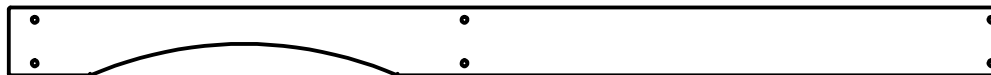
- (6) **F1 - DECK BRACE - W4L06843**  
1"x2 3/8"x15 3/4" (24x60x400)



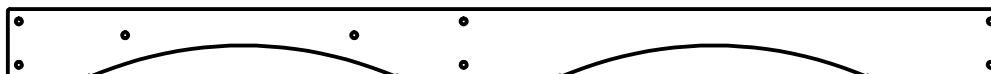
- (6) **N2 - PICKET - W4L06844**  
5/8"x2 3/8"x22" (16x60x558)



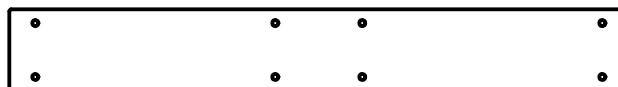
- (1) **L1 - WALL RAIL - W4L06845**  
5/8"x4 3/8"x40 3/8" (16x112x1024)



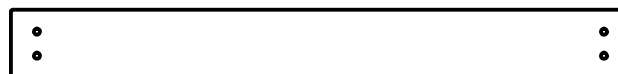
- (1) **L2 - WALL RAIL - W4L06846**  
5/8"x4 3/8"x64 3/4" (16x112x1644)



- (1) **L3 - WALL RAIL - W4L06847**  
5/8"x4 3/8"x64 3/4" (16x112x1644)



- (1) **G1 - SWING BEAM MOUNT - W4L06848**  
1"x5 1/4"x40 3/8" (24x134x1024)



- (1) **L4 - WALL RAIL - W4L06849**  
5/8"x4 3/8"x40 3/8" (16x112x1024)

# Parts Identification

## Wood Components

(NOT TO SCALE)



- (1) **M11 - FLOOR SUPPORT - W4L06850**  
5/8"x3 3/8"x37 1/2" (16x86x951)



- (9) **M12 - WALL BOARD - W4L06851**  
5/8"x3 3/8"x38 7/8" (16x86x986)



- (9) **M13 - WALL BOARD - W4L06852**  
5/8"x3 3/8"x22" (16x86x558)



- (1) **E4 - CLUB HOUSE LEG - W4L06853**  
1 3/8"x3 3/8"x43 1/8" (36x86x1094)



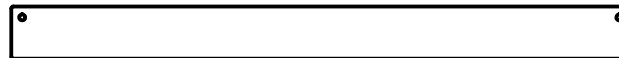
- (2) **Y1 - WALL BOARD - W4L06854**  
5/8"x4"x34 5/8" (16x102x880)



- (1) **M14 - WALL BOARD - W4L06855**  
5/8"x3"x34 5/8" (16x76x880)



- (1) **L5 - CLUB HOUSE WALL RAIL - W4L06857**  
5/8"x4 3/8"x40 3/8" (16x112x1024)



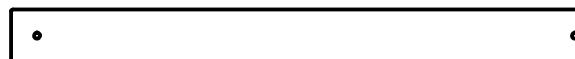
- (2) **M16 - WALL RAIL - W4L06858**  
5/8"x3 3/8"x40 3/8" (16x86x1024)



- (2) **M19 - WALL BOARD - W4L06861**  
5/8"x3 3/8"x40 5/8" (16x86x1032)



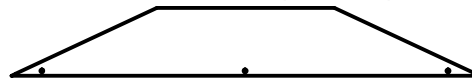
- (2) **M20 - WALL BOARD - W4L06862**  
5/8"x3 3/8"x16 1/4" (16x86x412)



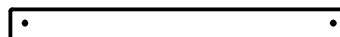
- (2) **M21 - WALL RAIL - W4L06863**  
5/8"x3 3/8"x37 1/2" (16x86x951)



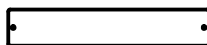
- (1) **M22 - WALL BOARD - W4L06864**  
5/8"x2 7/8"x38 7/8" (16x73x986)



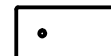
- (2) **L6 - BAY WINDOW HEADER - W4L06868**  
5/8"x4 3/8"x30 1/2" (16x112x774)



- (1) **N3 - WALL BOARD - W4L06865**  
5/8"x2"x22" (16x50x558)



- (6) **N4 - BAY WINDOW BOARD - W4L06866**  
5/8"x2 3/8"x13 1/8" (16x60x332)



- (1) **M17 - WALL RAIL - W4L06859**  
5/8"x3 3/8"x6 3/4" (16x86x173)



- (6) **N5 - BAY WINDOW BOARD - W4L06867**  
5/8"x2 3/8"x6 1/4" (16x60x158)



- (1) **M18 - WALL RAIL - W4L06860**  
5/8"x3 3/8"x4 3/4" (16x86x122)



- (2) **M15 - WALL RAIL - W4L06856**  
5/8"x3 3/8"x8 1/2" (16x86x216)

# Parts Identification

## Wood Components

(NOT TO SCALE)



(1) L7 - DOOR BOARD - W4L06869  
5/8"x4 3/8"x35" (16x112x890)



(2) M23 - DOOR BOARD - W4L06870  
5/8"x3 3/8"x35 3/4" (16x86x908)



(2) M24 - DOOR BOARD - W4L06871  
5/8"x3 3/8"x21 1/4" (16x86x540)



(3) O1 - DOOR CLEAT - W4L06873  
5/8"x1 3/8"x21" (16x34x534)



(1) L8 - DOOR BOARD - W4L06874  
5/8"x4 3/8"x35" (16x112x890)



(1) K6 - WALL BOARD - W4L06876  
5/8"x5 1/4"x16 1/4" (16x134x412)



(2) M25 - DOOR BOARD - W4L06872  
5/8"x3 3/8"x6 1/4" (16x86x160)



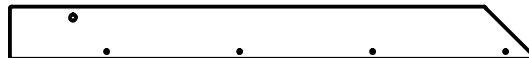
(8) M26 - WALL BOARD - W4L06875  
5/8"x3 3/8"x3 1/2" (16x86x88)



(2) O2 - WALL BOARD - W4L06877  
5/8"x1 3/8"x15 1/2" (16x34x395)



(1) E5 - UPRIGHT - W4L06878  
1 3/8"x3 3/8"x73 1/8" (36x86x1856)



(4) M27 - ROOF RAFTER - W4L06879  
5/8"x3 3/8"x34 1/4" (16x86x871)



(2) M31 - GABLE BOARD - W4L06880  
5/8"x3 3/8"x31 1/2" (16x86x800)



(2) H7 - BENCH GROUND BOARD - W4L06967  
1"x3 3/8"x18 1/8" (24x86x460)



(2) H8 - BENCH UPRIGHT - W4L06968  
1"x3 3/8"x11 3/4" (24x86x300)



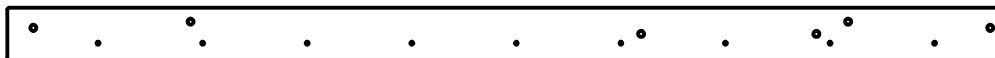
(2) H9 - BENCH SEAT SUPPORT - W4L06969  
1"x3 3/8"x6 1/2" (24x86x166)



(1) N7 - BENCH CLEAT - W4L06973  
5/8"x2 3/8"x5 1/8" (16x60x130)



(2) M32 - BENCH SEAT - W4L06972  
5/8"x3 3/8"x35 3/8" (16x86x900)

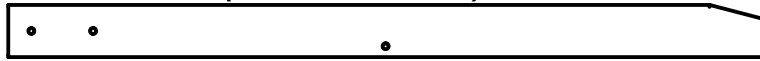


(1) M30 - FLOOR SUPPORT - W4L06886  
5/8"x3 3/8"x64 3/4" (16x86x1644)

# Parts Identification

## Wood Components

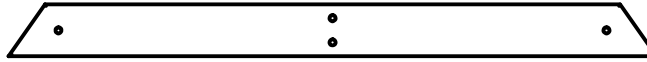
(NOT TO SCALE)



- (1) **W71 - SWING BEAM SUPPORT - W4L06921**  
2"x3 3/8"x49 5/8" (50x86x1260)



- (2) **E77 - ANGLE BRACE - W4L06922**  
1 3/8"x3 3/8"x74 3/8" (36x86x1890)



- (1) **H79 - END SUPPORT - W4L06923**  
1"x3 1/2"x42" (24x86x1072)



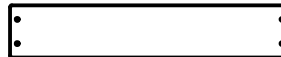
- (1) **SB74 - SWING BEAM EXTENDED - W4L06925**  
2"x5 1/4"x89 1/2" (50x134x2274)



- (1) **H74 - LEFT UPRIGHT - W4L06930**  
1"x3 3/8"x50 3/4" (24x86x1290)



- (1) **H75 - RIGHT UPRIGHT - W4L06931**  
1"x3 3/8"x50 3/4" (24x86x1290)



- (1) **M103 - REAR SUPPORT - W4L06932**  
5/8"x3 3/8"x18 1/4" (16x86x462)



- (4) **M104 - LADDER RUNG - W4L06933**  
1"x3 3/8"x17 1/8" (24x86x434)



- (1) **M102 - ATTACHMENT BOARD - W4L06934**  
5/8"x3 3/8"x18 1/4" (16x86x462)



- (2) **E6 - MONKEY BAR UPRIGHT - W4L06935**  
1 3/8"x3 3/8"x71 3/8" (36x86x1812)



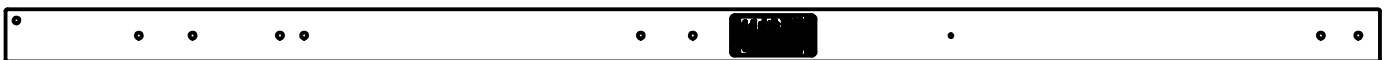
- (2) **H2 - MONKEY BAR BRACE - W4L06936**  
1"x3 3/8"x53 1/4" (24x86x1352)



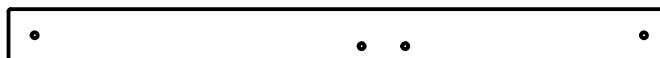
- (1) **H3 - MONKEY BAR GROUND BOARD - W4L06937**  
1"x3 3/8"x70 3/8" (24x86x1786)



- (2) **E71 - MONKEY BAR RAIL - W4L06929**  
1 3/8"x3 3/8"x60 5/8" (36x86x1539)



- (1) **E1 - UPRIGHT - W2A01966-1**  
1 3/8"x3 3/8"x89 1/2" (36x86x2274)



- (1) **E8 - CLUB HOUSE LEG - W4L06971**  
1 3/8"x3 3/8"x43 1/8" (36x86x1094)



# Parts Identification

## Wood Components

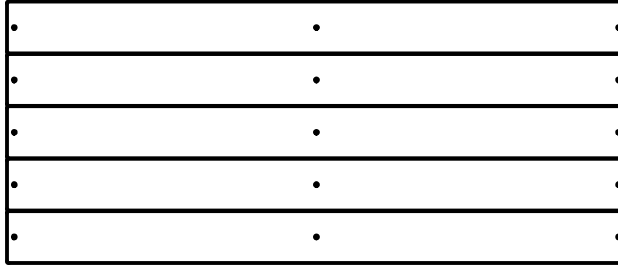
(NOT TO SCALE)



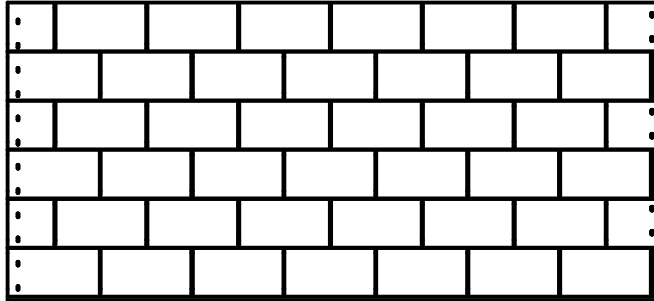
- (1) **N9 - DOOR STOP - W4L06887**  
5/8"x2 3/8"x8 3/4" (16x60x222)



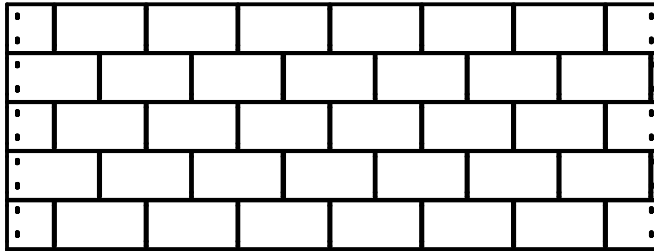
- (1) **M33 - WALL BOARD - W4L06976**  
5/8"x3"x34 5/8" (16x76x880)



- (3) **FP1 - FLOOR PANEL - W2A01965 -**  
1 1/4"x17x40 5/16" (32x432x1024)



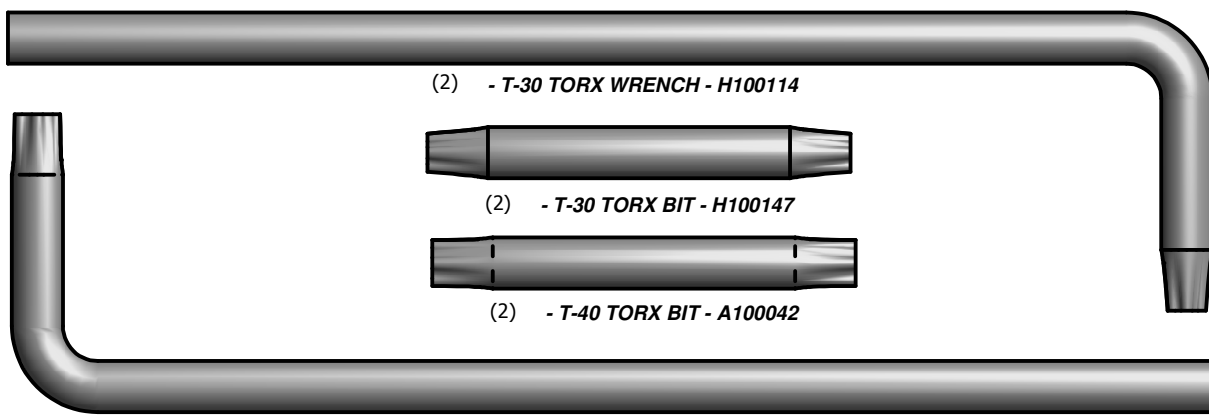
- (2) **RP1 - ROOF PANEL - W2A01967 -**  
1 1/16"x19 5/16"x42 5/8" (35x491x1083)



- (2) **RP2 - ROOF PANEL - W2A01968 -**  
1 1/16"x16 1/8"x42 5/8" (35x410x1083)

# Parts Identification

## Hardware



(2) - T-30 TORX WRENCH - H100114



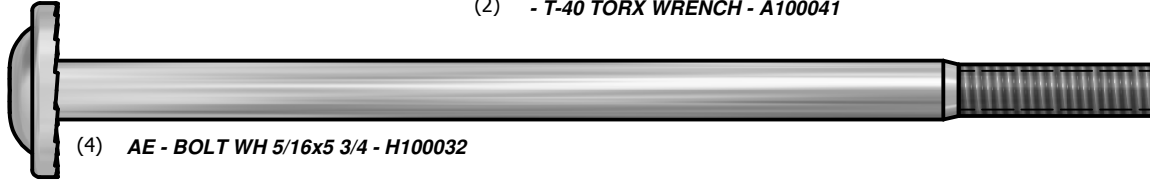
(2) - T-30 TORX BIT - H100147



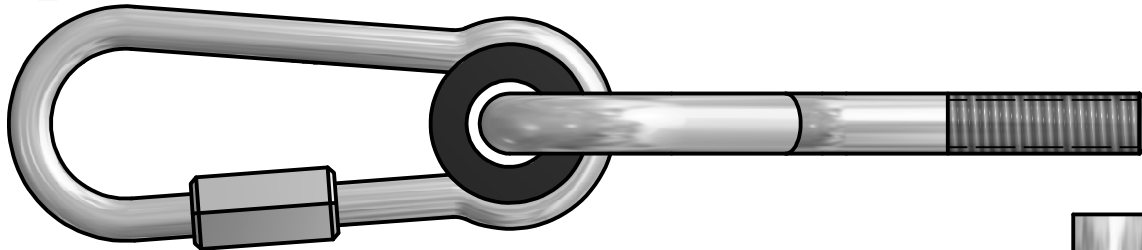
(2) - T-40 TORX BIT - A100042



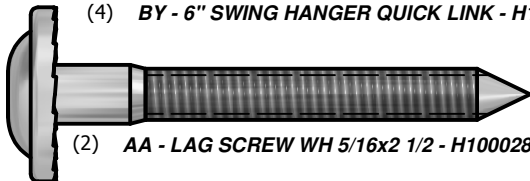
(2) - T-40 TORX WRENCH - A100041



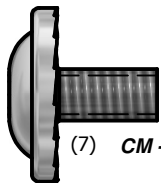
(4) AE - BOLT WH 5/16x5 3/4 - H100032



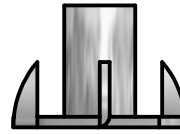
(4) BY - 6" SWING HANGER QUICK LINK - H100097



(2) AA - LAG SCREW WH 5/16x2 1/2 - H100028



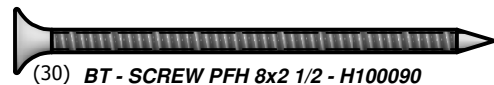
(7) CM - BOLT WH 5/16x1/2 - H100115



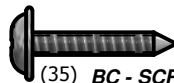
(7) BG - T-NUT 5/16 - H100074



(13) CJ - NUT LOCK 5/16 - H100110



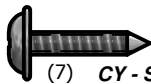
(30) BT - SCREW PFH 8x2 1/2 - H100090



(35) BC - SCREW PWH 8x3/4 - H100070



(24) CK - SCREW PFH 8x2 - H100111



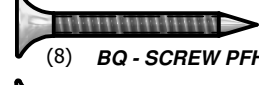
(7) CY - SCREW PWH 8x5/8 - H100128



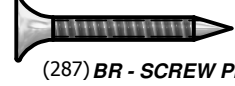
(26) BS - SCREW PFH 8x1 3/4 - H100089



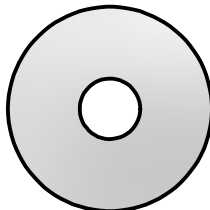
(113) BP - SCREW PFH 8x1 1/2 - H100086



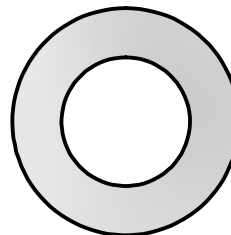
(8) BQ - SCREW PFH 8x1 1/4 - H100087



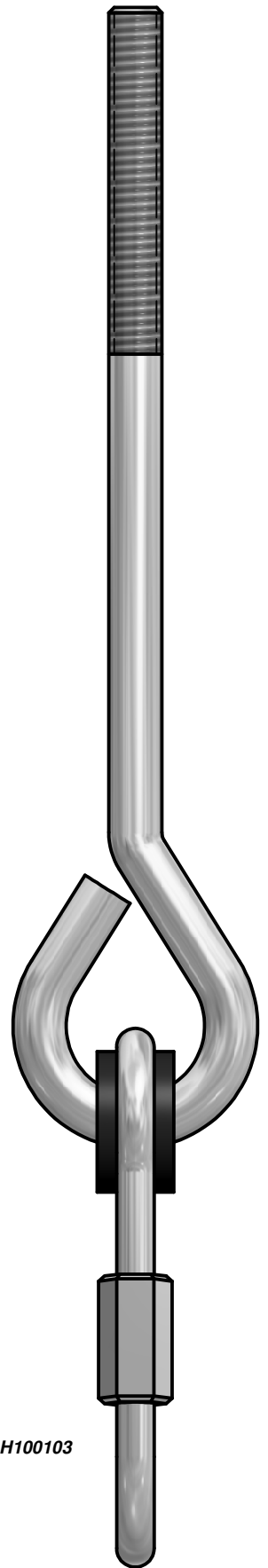
(287) BR - SCREW PFH 8x1 1/8 - H100088



(13) CD - WASHER FLAT 8x27 - H100105



(4) CB - WASHER SAFETY 17x30 - H100103



(4) BZ - 9 1/2" SWING HANGER QUICK LINK - H100099

# Parts Identification

## Hardware



(1) KA - BOLT WH 5/16x4 1/2 BLK - H100534



(4) VM - BOLT WH 5/16x2-1/2 BLK - H100194



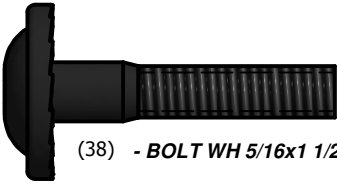
(4) VY - BOLT WH 5/16x2-1/4 BLK - H100205



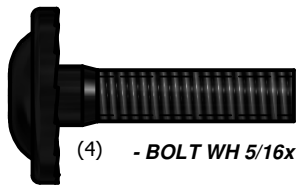
(18) - BOLT WH 5/16x2 BLK - H100457



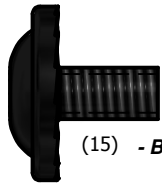
(8) - BOLT WH 5/16x1 3/4 BLK - H100378



(38) - BOLT WH 5/16x1 1/2 BLK - H100407



(4) - BOLT WH 5/16x1 1/4 BLK - H100459



(15) - BOLT WH 5/16x1/2 BLK - H100396



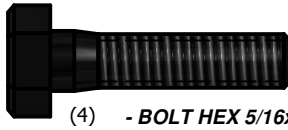
(48) - LAG SCREW WH 5/16x2 BLK - H100458



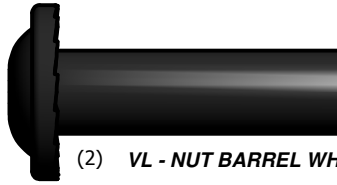
(2) - LAG SCREW WH 5/16x1 1/2 BLK - H100471



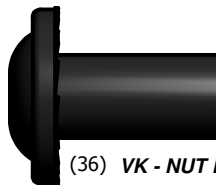
(4) - BOLT HEX 5/16x2-3/4 BLK - H100472



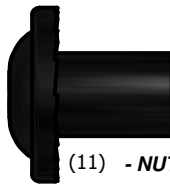
(4) - BOLT HEX 5/16x1 1/4 BLK - H100481



(2) VL - NUT BARREL WH 5/16x1-1/2 BLK - H100193



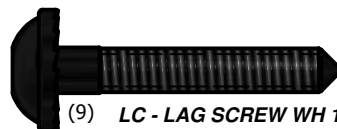
(36) VK - NUT BARREL WH 5/16x7/8 BLK - H100192



(11) - NUT BARREL WH 5/16x5/8 BLK - H100469



(7) - LAG SCREW WH 1/4x2 BLK - H100487



(9) LC - LAG SCREW WH 1/4x1-1/2 BLK - H100403



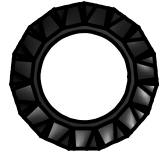
(13) CH - SCREW TAPPING 14x1-1/2 BLK - H100535



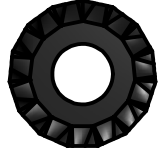
(13) CX - SCREW PPH 4x5/8 BLK - H100127



(15) - WASHER LOCK EXT 6x15 BLK - H100405



(45) VS - WASHER LOCK EXT 12x19 BLK - H100199



(103) VR - WASHER LOCK EXT 8x19 BLK - H100198



(11) - WASHER FLAT 8x27 BLK - H100478



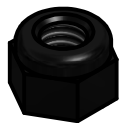
(4) - WASHER SPLIT 5/16 BLK - H100477



(2) - WASHER LOCK INT 8x15 BLK - H100473



(2) - WASHER FLAT 9x18 BLK - H100474



(4) - NUT LOCK 5/16 BLK - H100479



(46) - T-NUT 5/16 BLK - H100379

# Parts Identification

## Accessories (NOT TO SCALE)



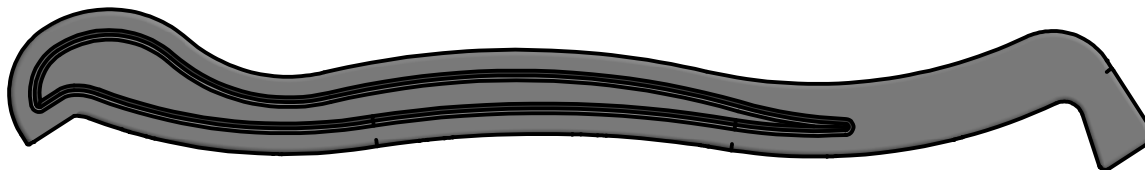
(4) EZ - CHAIN GREEN 51.25" - A100068



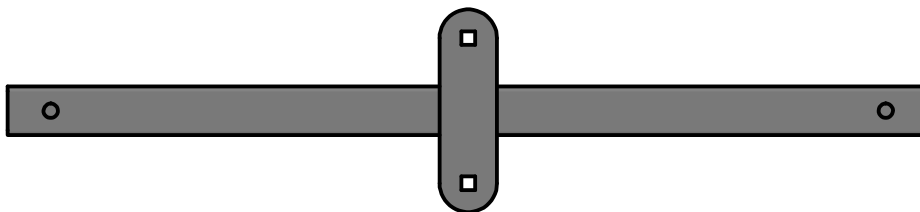
(4) DG - CHAIN GREEN 38.5" - A100015



(1) EL - SLIDE RAIL 8' GREEN LEFT - A100055



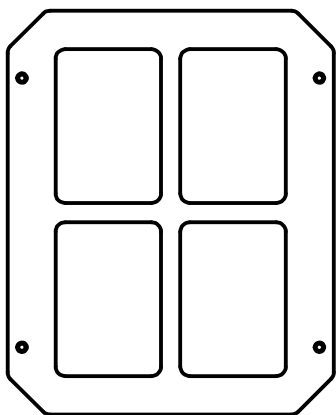
(1) EK - SLIDE RAIL 8' GREEN RIGHT - A100054



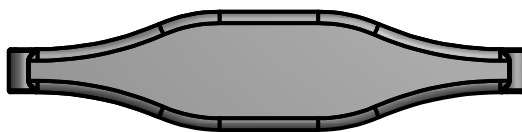
(2) EW - GLIDER SUPPORT BYD GREEN - A100065



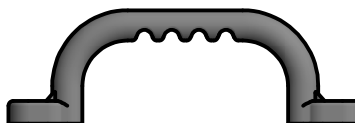
(6) EC - METAL RUNG 559 - A100045



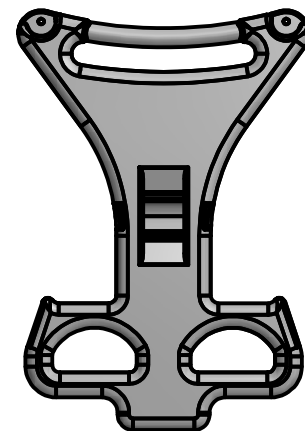
(6) MT - PLASTIC WINDOW MEDIUM WHITE - A100014



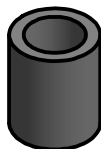
(1) DN - GLIDER SEAT DARK GREEN - A100025



(4) DQ - HAND GRIP GREEN PLASTIC - A100028



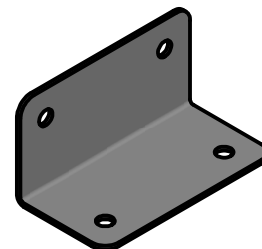
(2) DJ - GLIDER ARM LIGHT GREEN - A100021



(4) EX - GLIDER BUSHING BYD GREEN - A100066



(1) UW - SLIDE BED 8' LIGHT GREEN - A100356



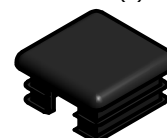
(2) GD - L BRACKET 66x66x127 - A100140



(2) EJ - L BRACKET 54x67 - A100053



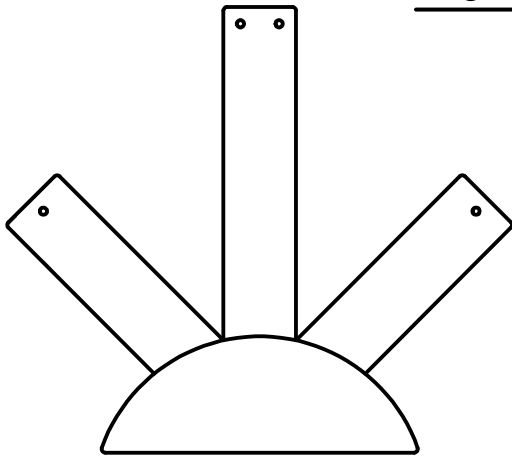
(8) FA - QUICK LINK - A100069



(4) EY - TUBING CAP GLIDER SUPPORT - A100067

# Parts Identification

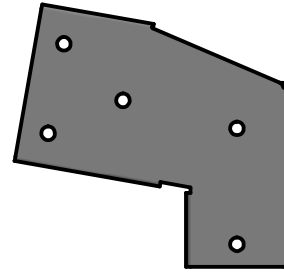
## Accessories (NOT TO SCALE)



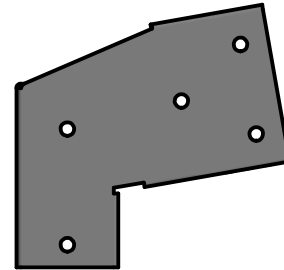
(2) VB - PLASTIC SUNBURST - A100361



(1) HC - BYD ID TAG (LARGE) 2011 WITH AGES - A100164



(1) TB - SWING BEAM EXTENSION BRACKET-LEFT - A100325



(1) TC - SWING BEAM EXTENSION BRACKET-RIGHT - A100326



(2) ES - L BRACKET GREEN 32x51 - A100061



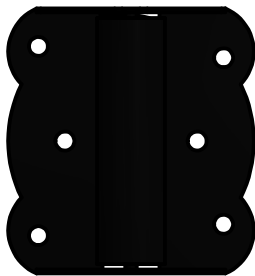
(1) SR - "B" REVISION TAG - A100315



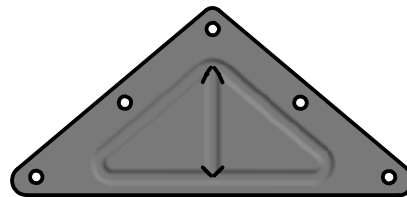
(2) TZ - L BRACKET 2.5x38x50x55 - A100340



(1) - KNOB - LT BROWN - A6P00122



(2) - HINGE (DOOR, SPRING LOADED) - A4M00624



(2) QZ - TRIANGLE PLATE 100° 5 HOLE - A100294



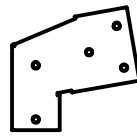
(2) - SWING SEAT GREEN - A6P00054



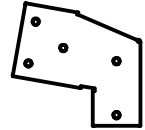
(8) - GROUND STAKE REBAR - A4M00527



(1) SB74 - SWING BEAM EXTENDED - W4L06925  
2"x5 1/4"x89 1/2" (50x134x2274)



(1) TC - SWING BEAM EXTENSION BRACKET-RIGHT - A100326

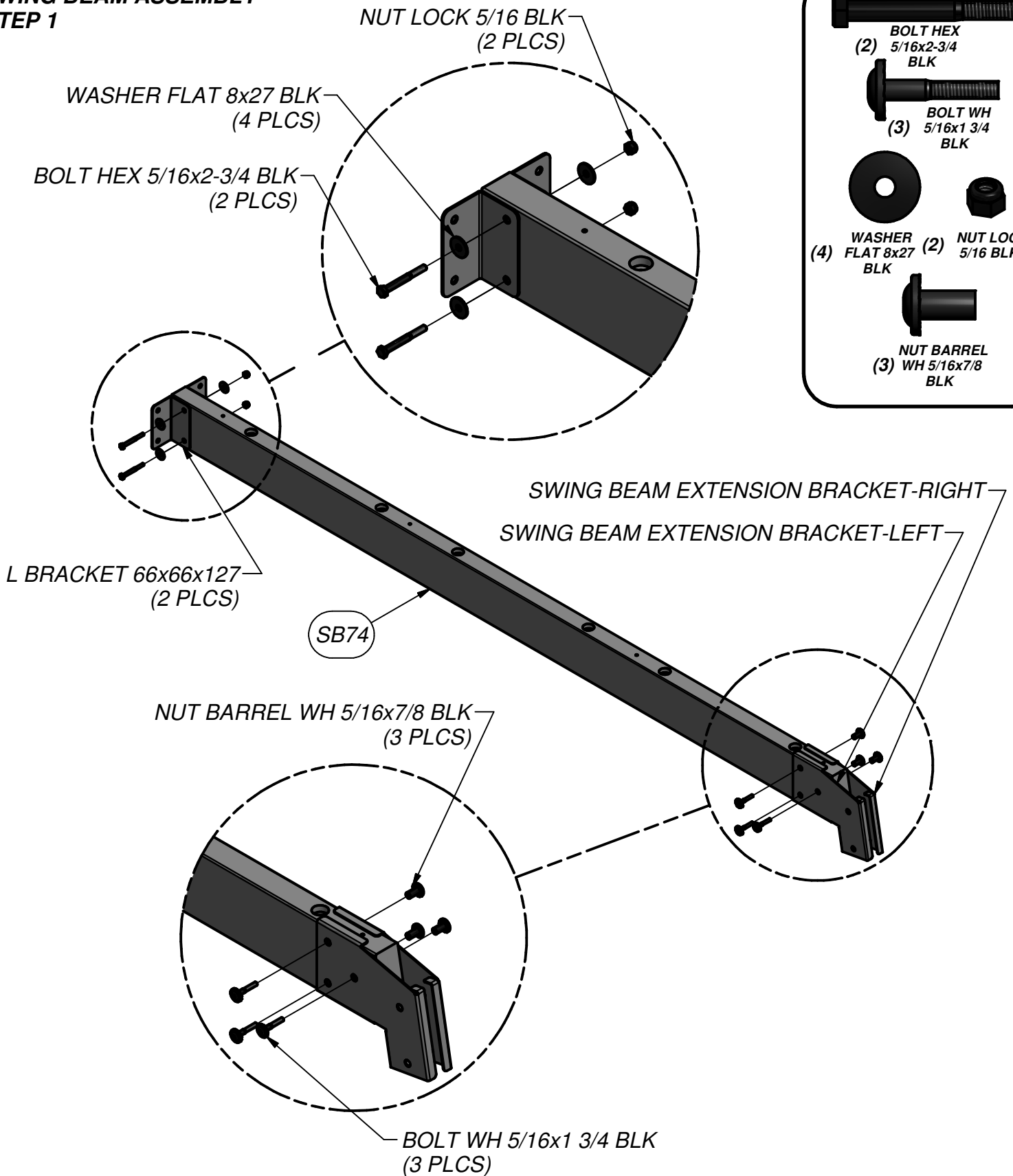


(1) TB - SWING BEAM EXTENSION BRACKET-LEFT - A100325



(2) GD - L BRACKET 66x66x127 - A100140

### SWING BEAM ASSEMBLY STEP 1



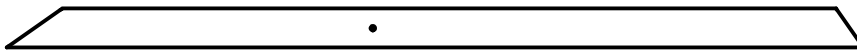
BOLT HEX  
(2) 5/16x2-3/4  
BLK

BOLT WH  
(3) 5/16x1 3/4  
BLK

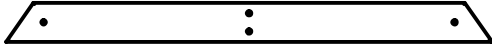
WASHER  
(4) FLAT 8x27  
BLK

NUT LOCK  
(2) 5/16 BLK

NUT BARREL  
(3) WH 5/16x7/8  
BLK



(2) E77 - ANGLE BRACE - W4L06922  
1 3/8"x3 3/8"x74 3/8" (36x86x1890)

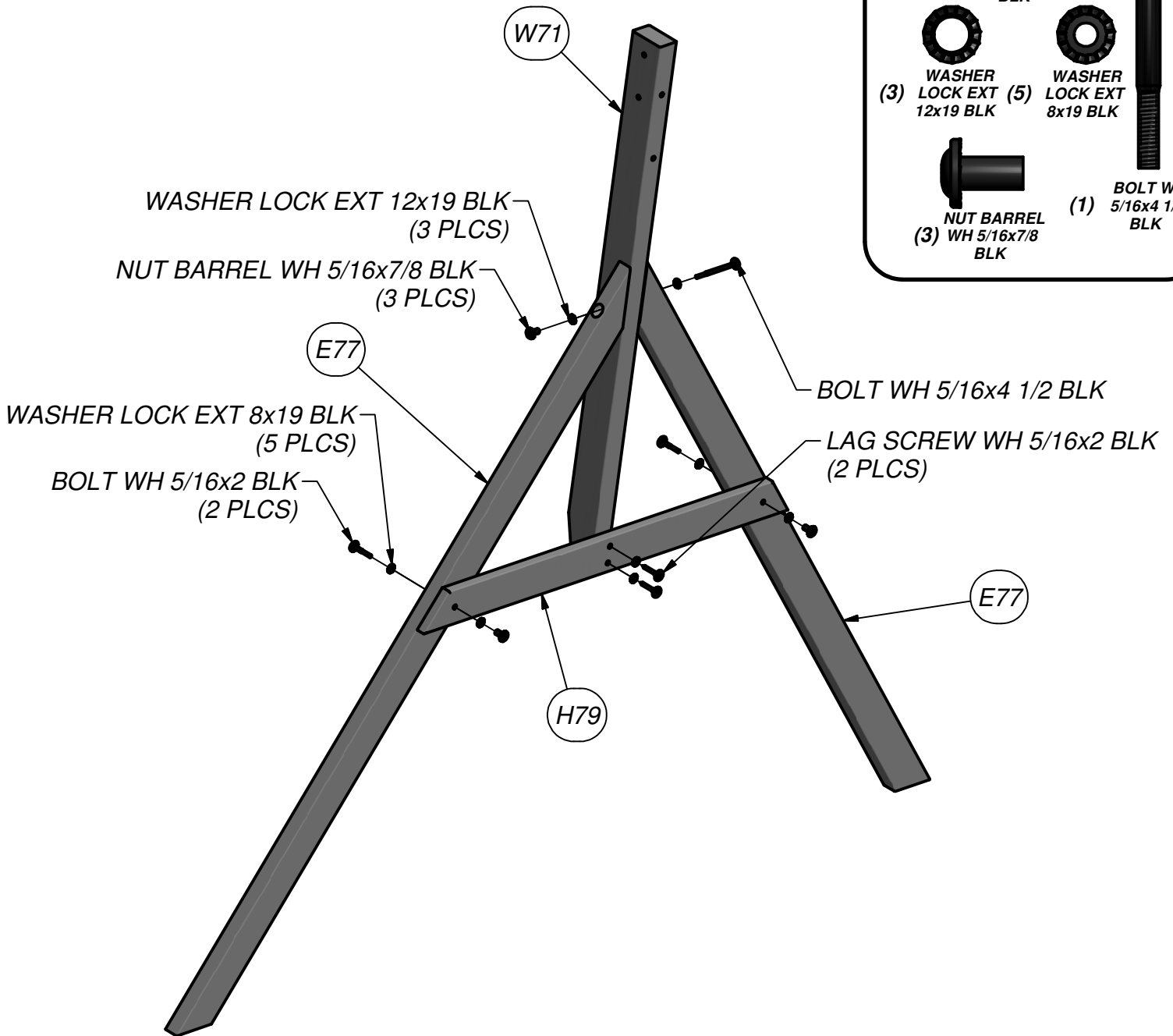
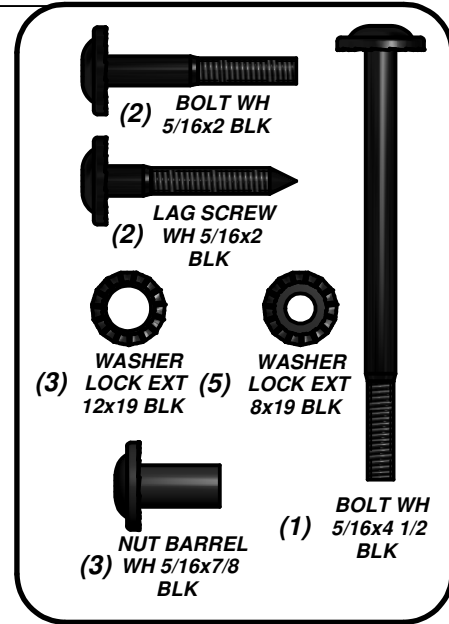


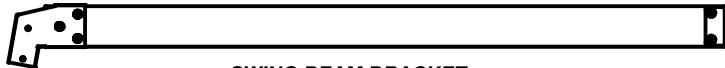
(1) H79 - END SUPPORT - W4L06923  
1"x3 1/2"x42" (24x86x1072)



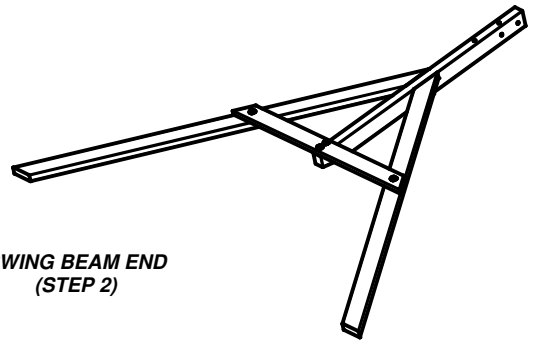
(1) W71 - SWING BEAM SUPPORT - W4L06921  
2"x3 3/8"x49 5/8" (50x86x1260)

## SWING BEAM ASSEMBLY STEP 2



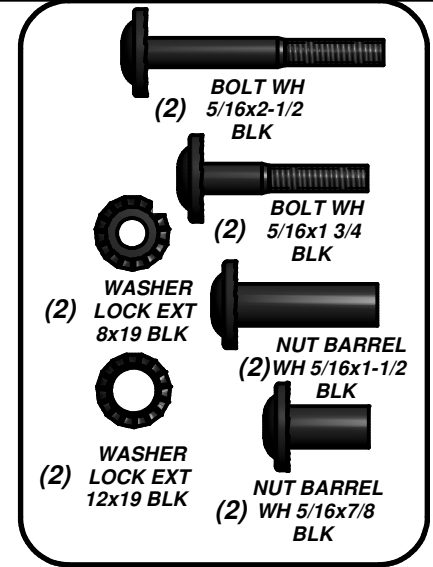
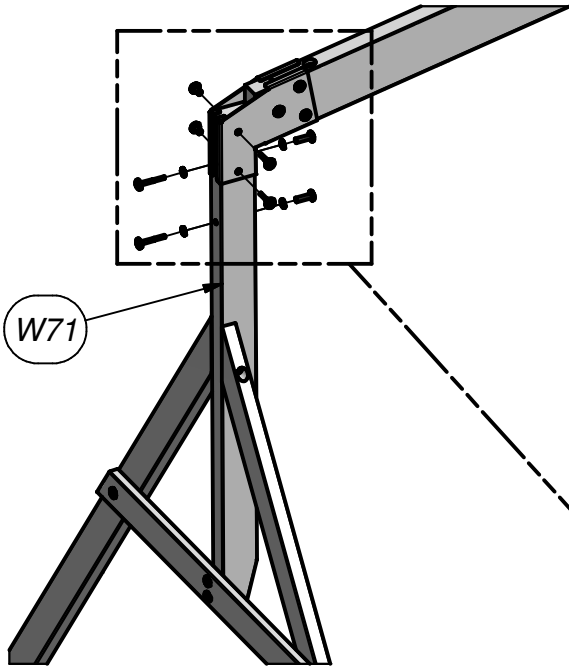


SWING BEAM BRACKET  
(STEP 1)



SWING BEAM END  
(STEP 2)

### SWING BEAM ASSEMBLY STEP 3



BOLT WH 5/16x2-1/2 BLK  
(2)

BOLT WH 5/16x1 3/4 BLK  
(2)

WASHER LOCK EXT 8x19 BLK  
(2)

WASHER LOCK EXT 12x19 BLK  
(2)

NUT BARREL (2) WH 5/16x1-1/2 BLK

NUT BARREL (2) WH 5/16x7/8 BLK

NUT BARREL WH 5/16x7/8 BLK  
(2 PLCS)

WASHER LOCK EXT 12x19 BLK  
(2 PLCS)

**THESE BOLTS ARE REQUIRED FOR IMPROVED STRUCTURAL STRENGTH OF 'W71' SUPPORT AND MUST BE INSTALLED.**

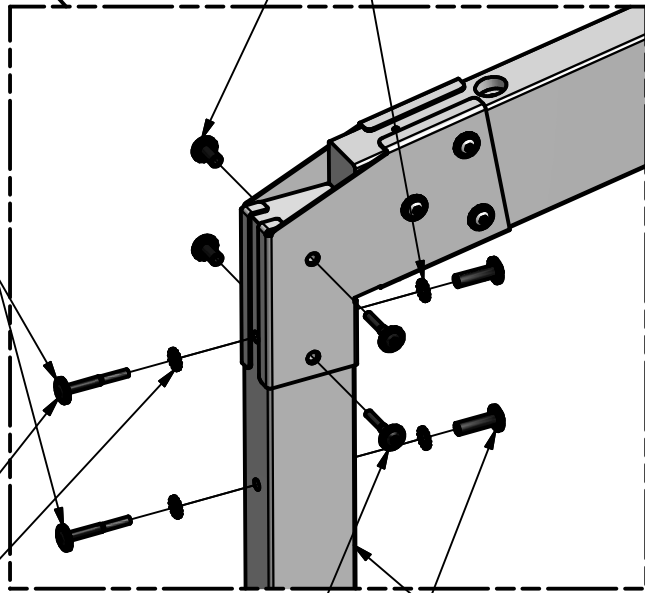
BOLT WH 5/16x2-1/2 BLK  
(2 PLCS)

WASHER LOCK EXT 8x19 BLK  
(2 PLCS)

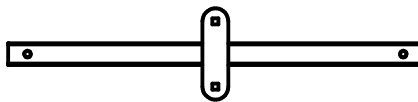
BOLT WH 5/16x1 3/4 BLK  
(2 PLCS)

NUT BARREL WH 5/16x1-1/2 BLK  
(2 PLCS)

W71





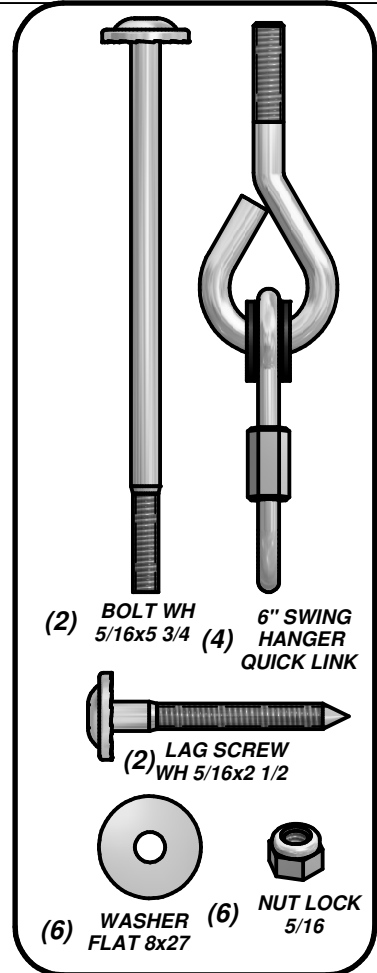
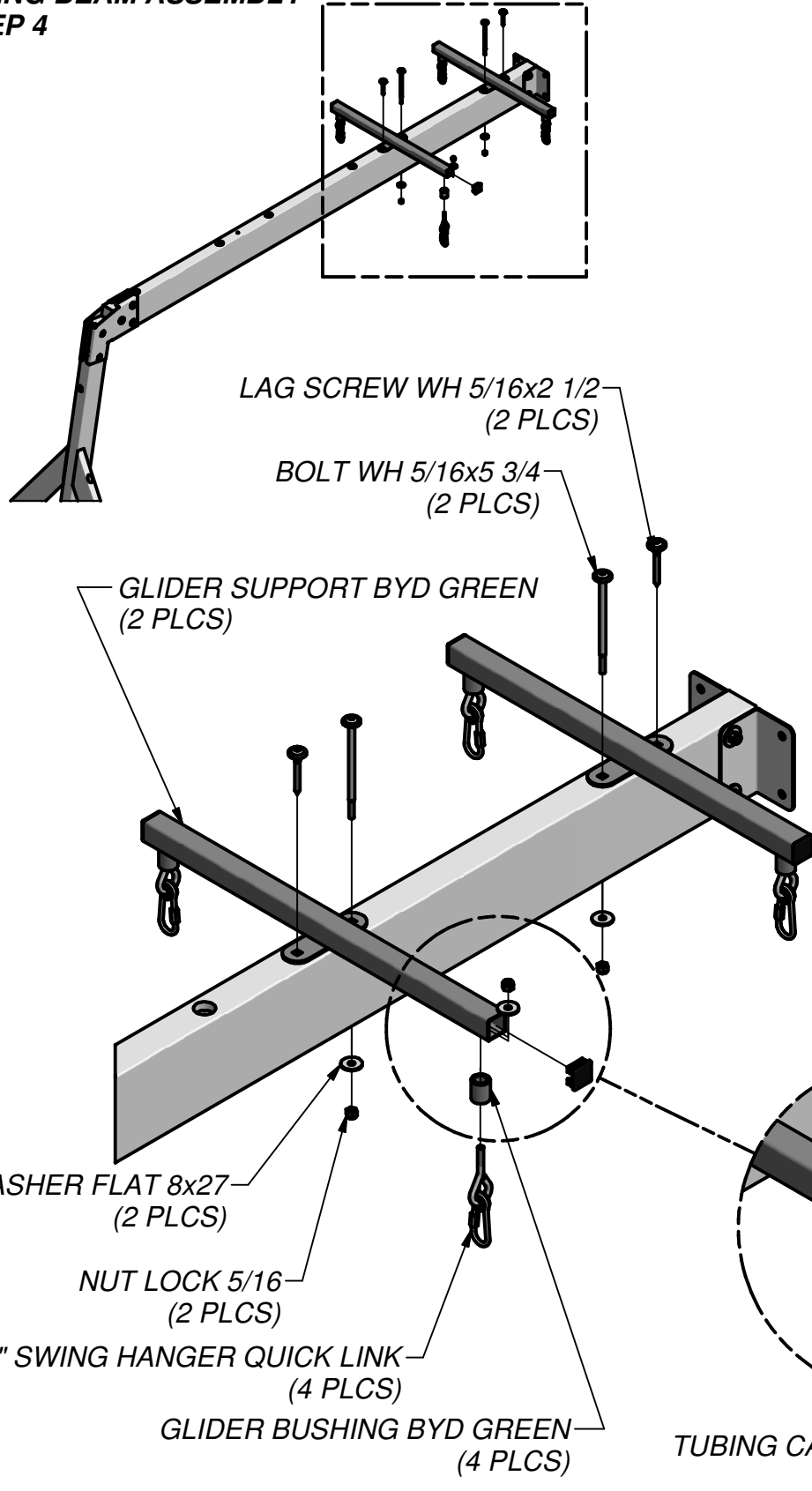
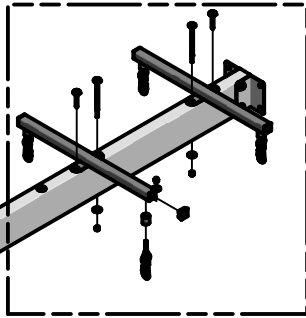


(2) EW - GLIDER SUPPORT BYD GREEN - A100065

(4) EX - GLIDER BUSHING BYD GREEN - A100066

(4) EY - TUBING CAP GLIDER SUPPORT - A100067

### SWING BEAM ASSEMBLY STEP 4

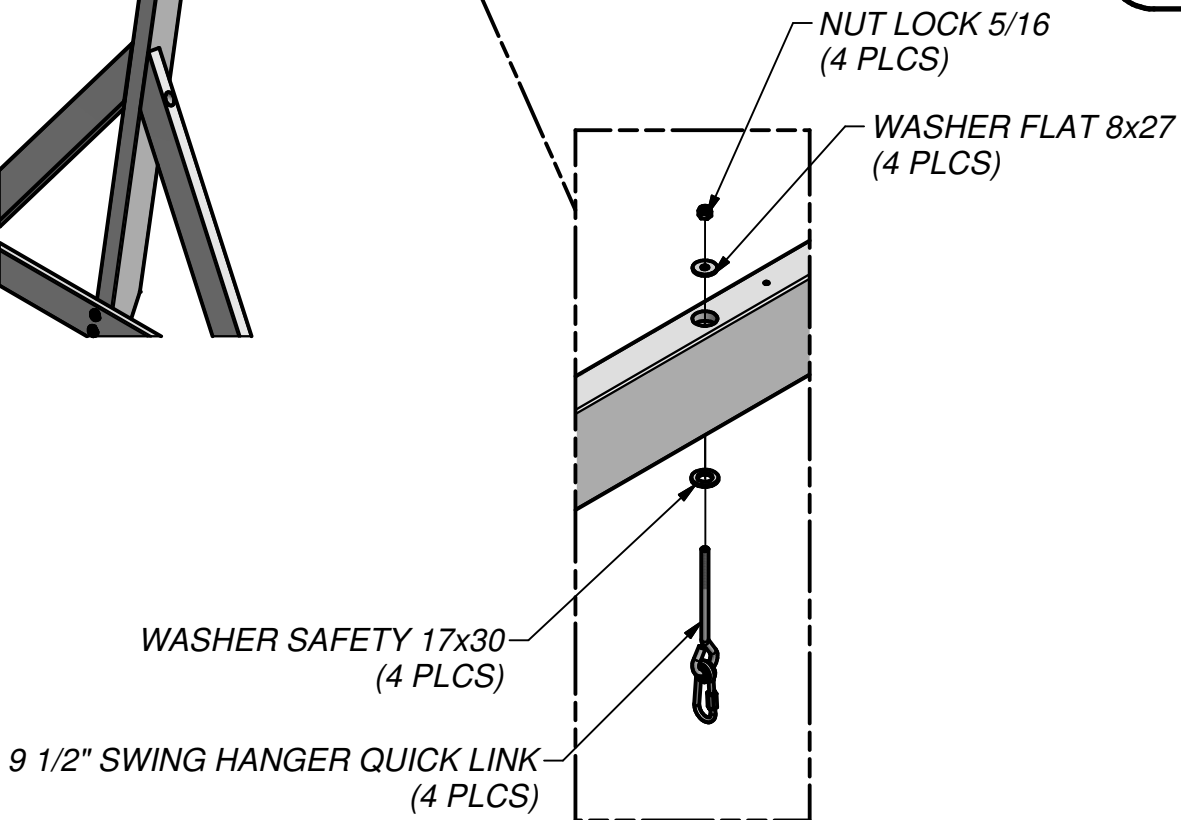
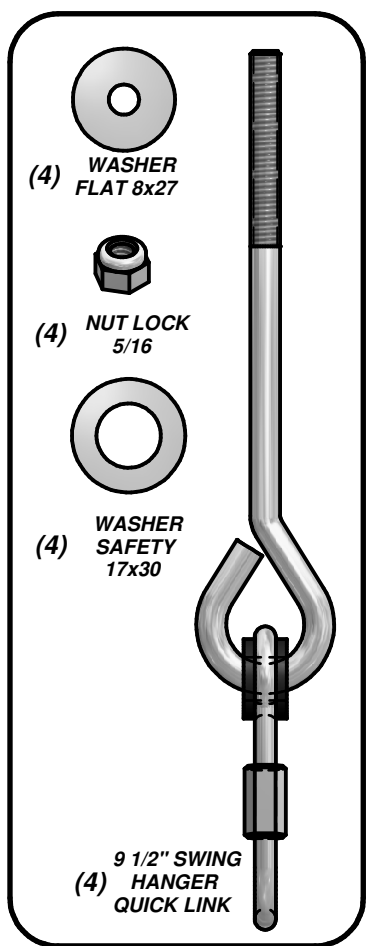
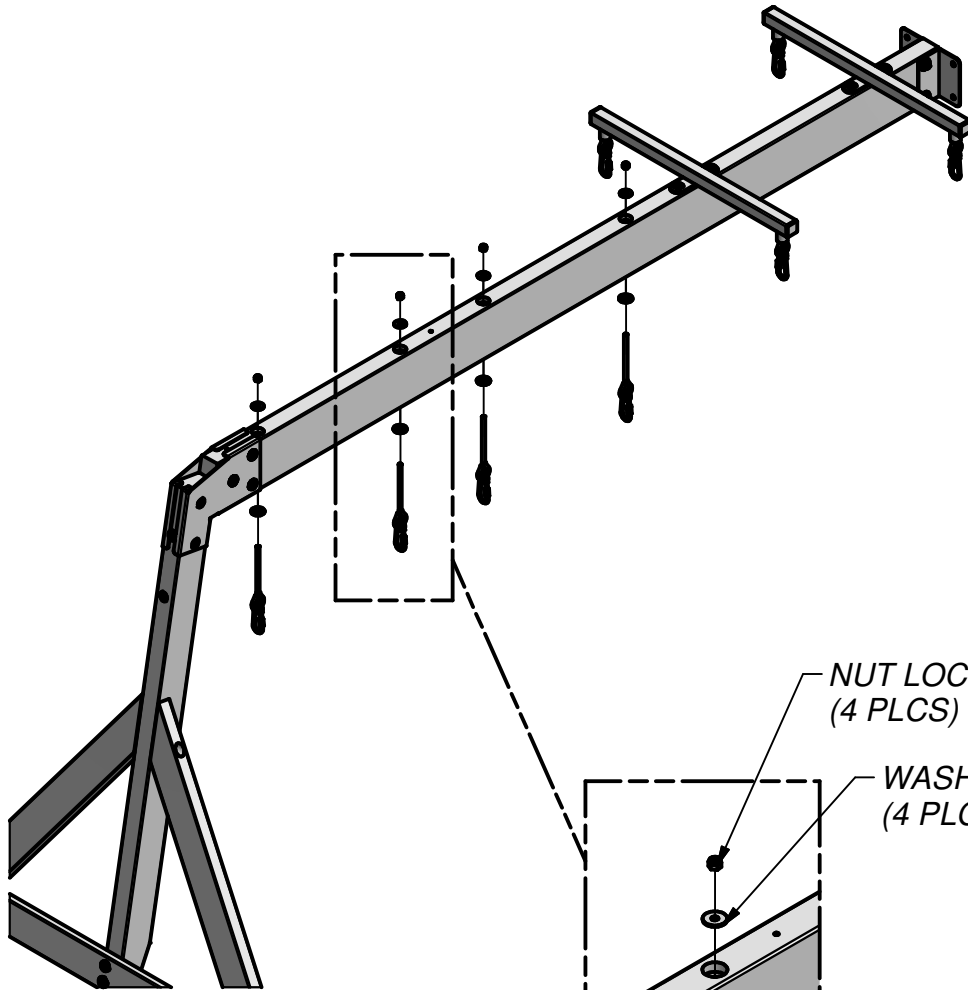


NUT LOCK 5/16  
(4 PLCS)

WASHER FLAT 8x27  
(4 PLCS)

TUBING CAP GLIDER SUPPORT  
(4 PLCS)

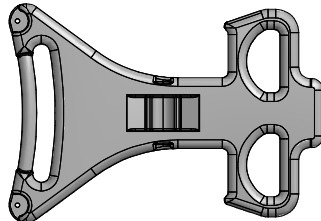
**SWING BEAM ASSEMBLY  
STEP 5**



(4) DG - CHAIN GREEN 38.5" - A100015



(1) DN - GLIDER SEAT DARK GREEN - A100025

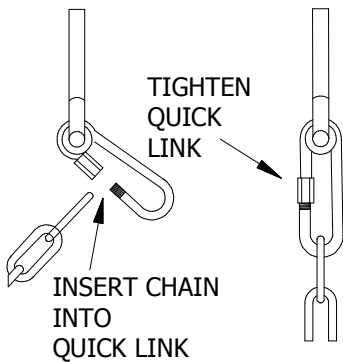


(2) DJ - GLIDER ARM LIGHT GREEN - A100021



(4) FA - QUICK LINK - A100069

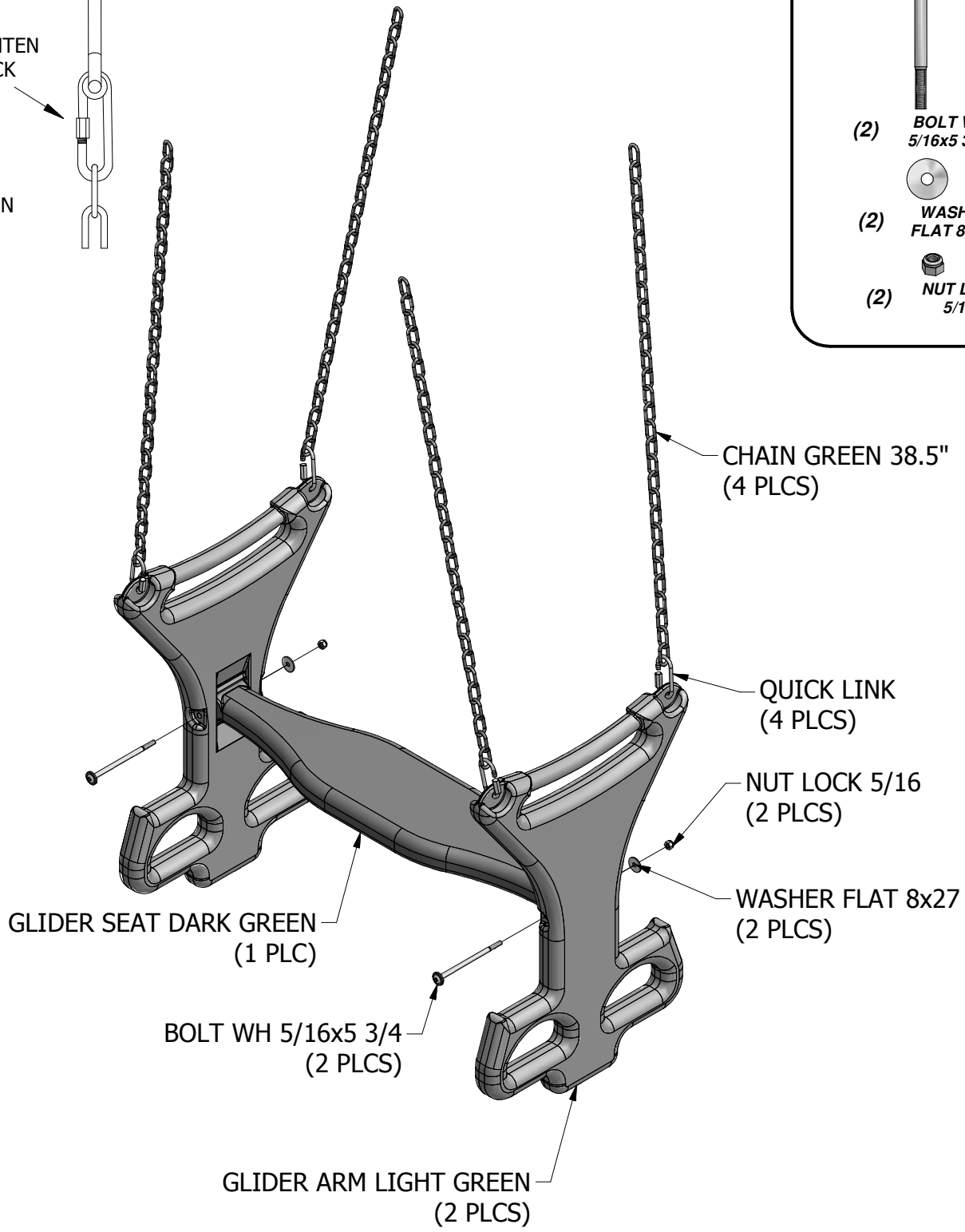
### GLIDER ASSEMBLY

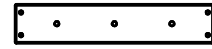
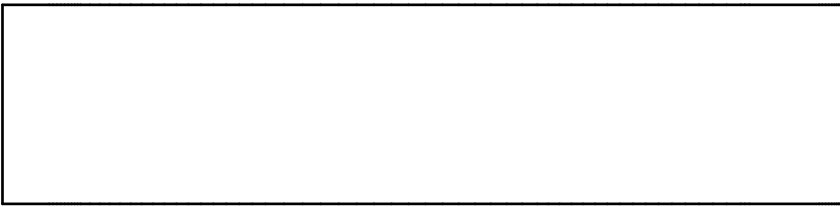


(2) BOLT WH 5/16x5 3/4

(2) WASHER FLAT 8x27

(2) NUT LOCK 5/16



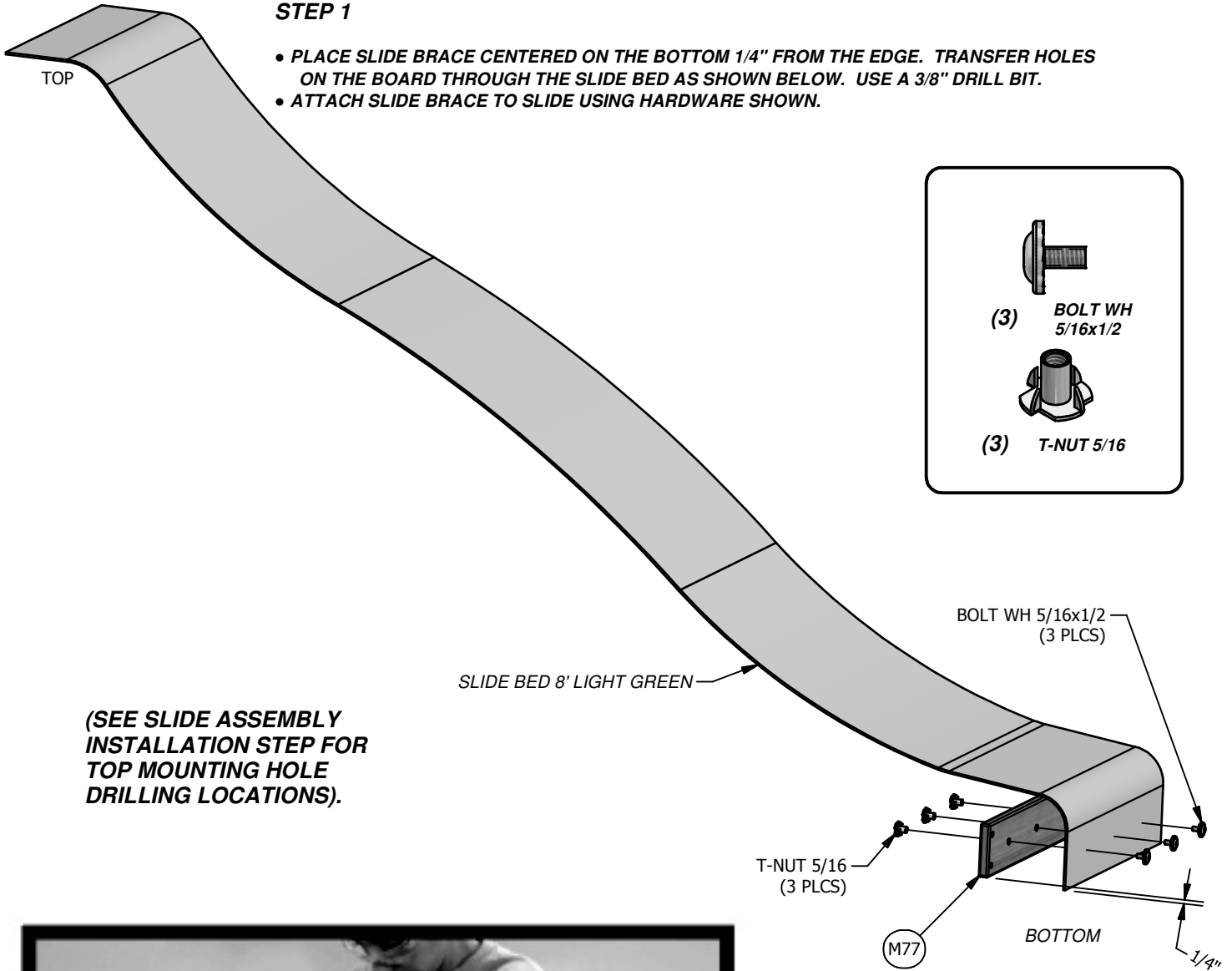


(1) **M77 - SLIDE BRACE - W100544**  
5/8"x3 3/8"x17 1/4" (16x86x438)

(1) **UW - SLIDE BED 8' LIGHT GREEN - A100356**

### SLIDE ASSEMBLY STEP 1

- PLACE SLIDE BRACE CENTERED ON THE BOTTOM 1/4" FROM THE EDGE. TRANSFER HOLES ON THE BOARD THROUGH THE SLIDE BED AS SHOWN BELOW. USE A 3/8" DRILL BIT.
- ATTACH SLIDE BRACE TO SLIDE USING HARDWARE SHOWN.



(SEE SLIDE ASSEMBLY  
INSTALLATION STEP FOR  
TOP MOUNTING HOLE  
DRILLING LOCATIONS).



**USE M77 SLIDE BRACE AS A TEMPLATE FOR DRILLING BOTTOM HOLE PATTERN IN SLIDE BED. BE SURE TO PLACE SLIDE BRACE UP 1/4" FROM BOTTOM EDGE OF SLIDE BED BEFORE MARKING HOLE PATTERN.**

**TIP: PREBENDING THE ENDS WILL EASE ASSEMBLY.**



(1) EK - SLIDE RAIL 8' GREEN RIGHT - A100054



(1) EL - SLIDE RAIL 8' GREEN LEFT - A100055



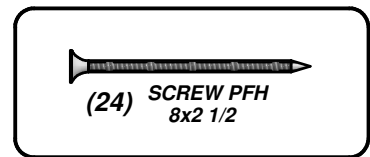
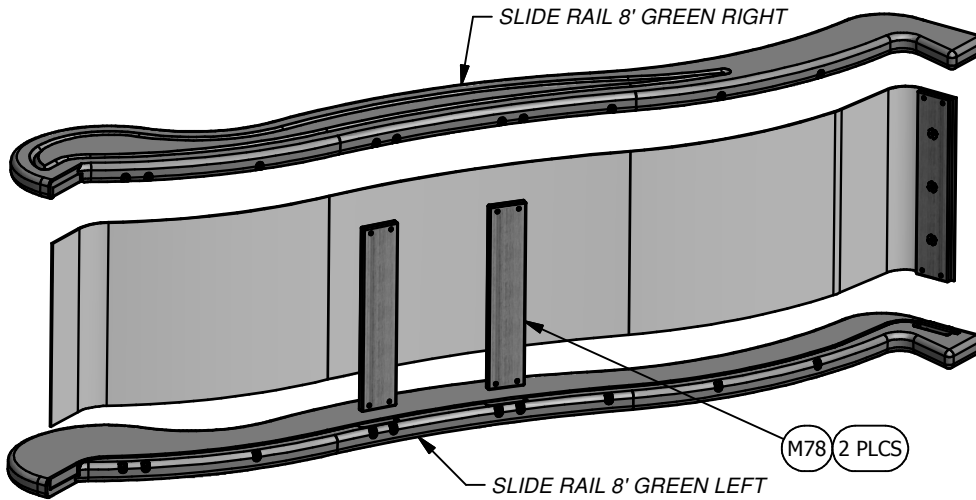
(2) M78 - CENTER SLIDE BRACE - W100545  
5/8"x3 3/8"x17 1/4" (16x86x438)

### SLIDE ASSEMBLY STEP 2

- PLACE 1 SLIDE RAIL ON A FLAT SURFACE AND BEGIN INSERTING SLIDE BED AT THE BOTTOM OF THE SLIDE RAIL (FIG. 1). PUT SLIDE SUPPORT BOTTOM INTO THE SUPPORT POCKET AT THE BOTTOM OF THE RAIL AND HAVE A HELPER BEND THE SLIDE BED TOWARDS THE TOP OF THE SLIDE AND INSERT THE BED INTO THE SLIDE CAVITY. MAKE SURE SLIDE BED IS COMPLETELY DOWN IN THE SLIDE CAVITY. SECURE USING (12) 3" WOOD SCREWS AT EACH OF THE PILOT HOLE LOCATIONS AS SHOWN BELOW.

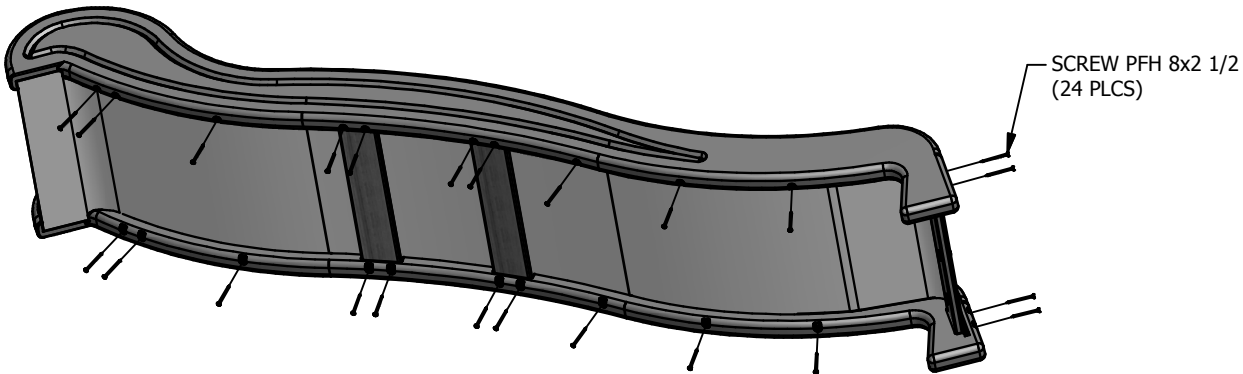
**TIP:**  
**DRILL 1/8" HOLES**  
**IN DIMPLES OF**  
**SLIDE RAIL.**

- PLACE THE OTHER SLIDE RAIL ON A FLAT SURFACE WITH THE SLIDE CAVITY UP. HAVE A HELPER HOLD THE TOP END OF SLIDE BED AND BEGIN INSERTING THE SLIDE BED AND SLIDE BRACES INTO THE CAVITY AND SUPPORT POCKETS STARTING AT THE BOTTOM OF SLIDE AND WORKING UP TO THE TOP (FIG. 2). SECURE USING (12) 2 1/2" WOOD SCREWS AT EACH OF THE PILOT HOLE LOCATIONS AS SHOWN BELOW.

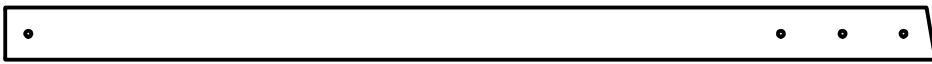


**NOTE:**

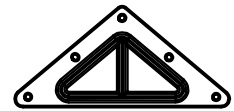
**MAKE CERTAIN**  
**SUPPORTS AND SLIDE**  
**BED ARE FULLY**  
**ENGAGED WITHIN**  
**CHANNEL OF SLIDE**  
**RAILS.**



**TIP: A HELPER IS REQUIRED FOR THIS PHASE.**



(1) E71 - MONKEY BAR RAIL - W4L06929  
1 3/8"x3 3/8"x60 5/8" (36x86x1539)

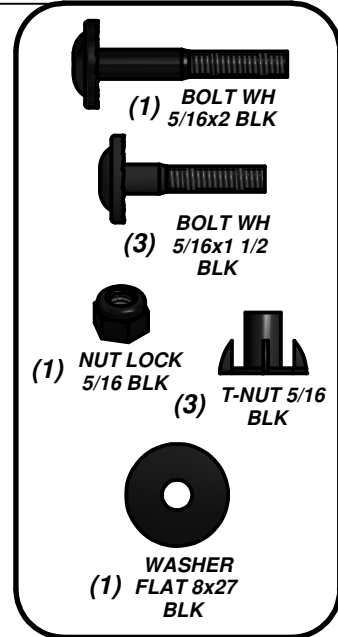
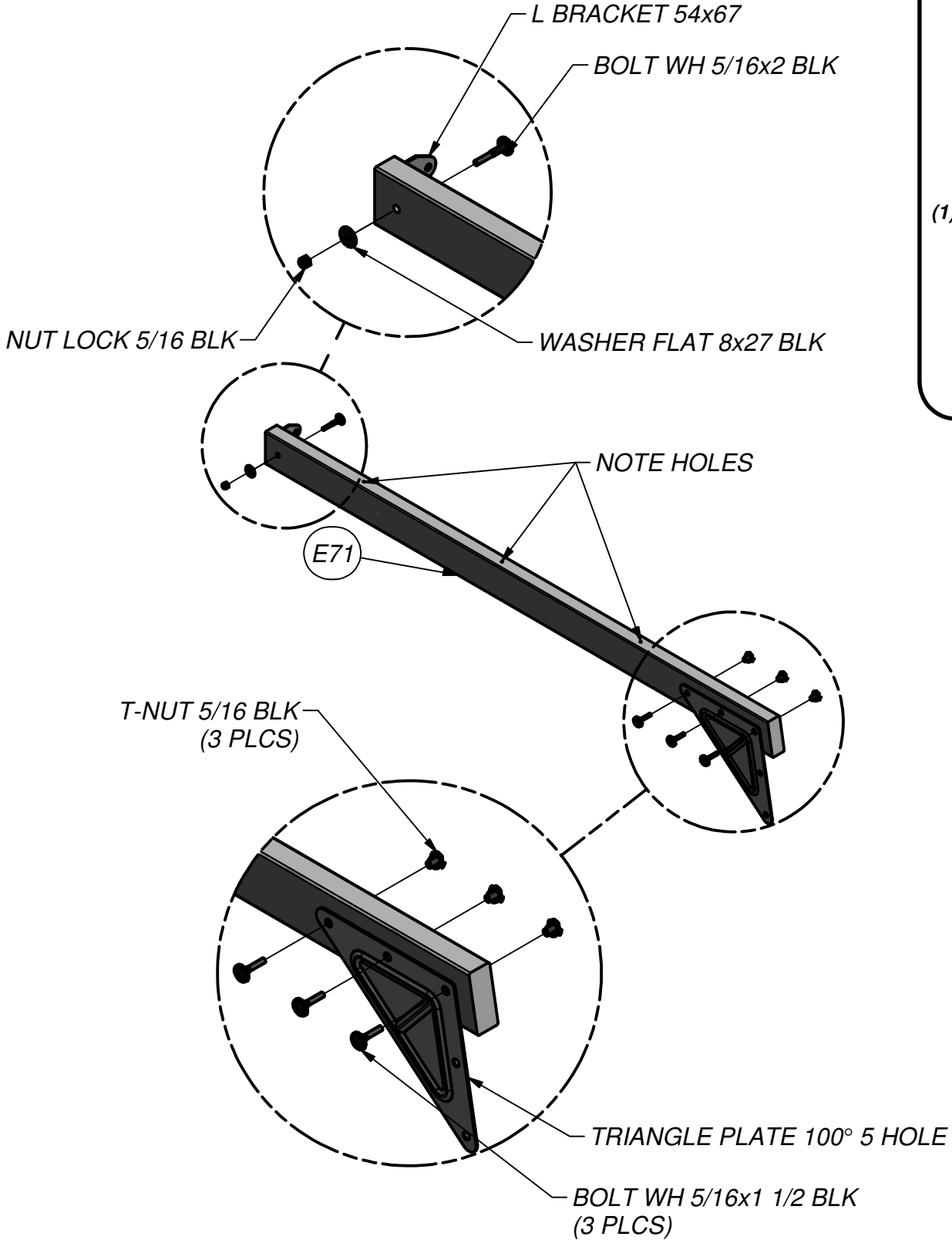


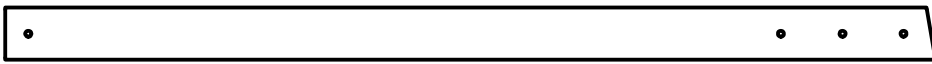
(1) QZ - TRIANGLE PLATE 100° 5 HOLE - A100294



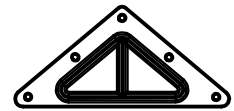
(1) EJ - L BRACKET 54x67 - A100053

### MONKEY BAR ASSEMBLY STEP 1





(1) E71 - MONKEY BAR RAIL - W4L06929  
1 3/8"x3 3/8"x60 5/8" (36x86x1539)



(1) QZ - TRIANGLE PLATE 100° 5 HOLE - A100294



(1) EJ - L BRACKET 54x67 - A100053

### MONKEY BAR ASSEMBLY STEP 2

BOLT WH 5/16x1 1/2 BLK  
(3 PLCS)

T-NUT 5/16 BLK  
(3 PLCS)

TRIANGLE PLATE 100° 5 HOLE

E71

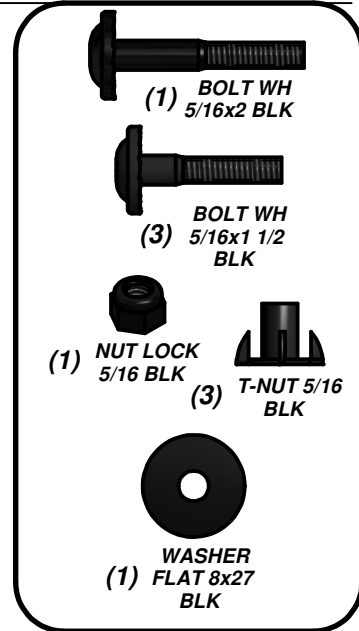
NOTE HOLES

NUT LOCK 5/16 BLK

WASHER FLAT 8x27 BLK

BOLT WH 5/16x2 BLK

L BRACKET 54x67



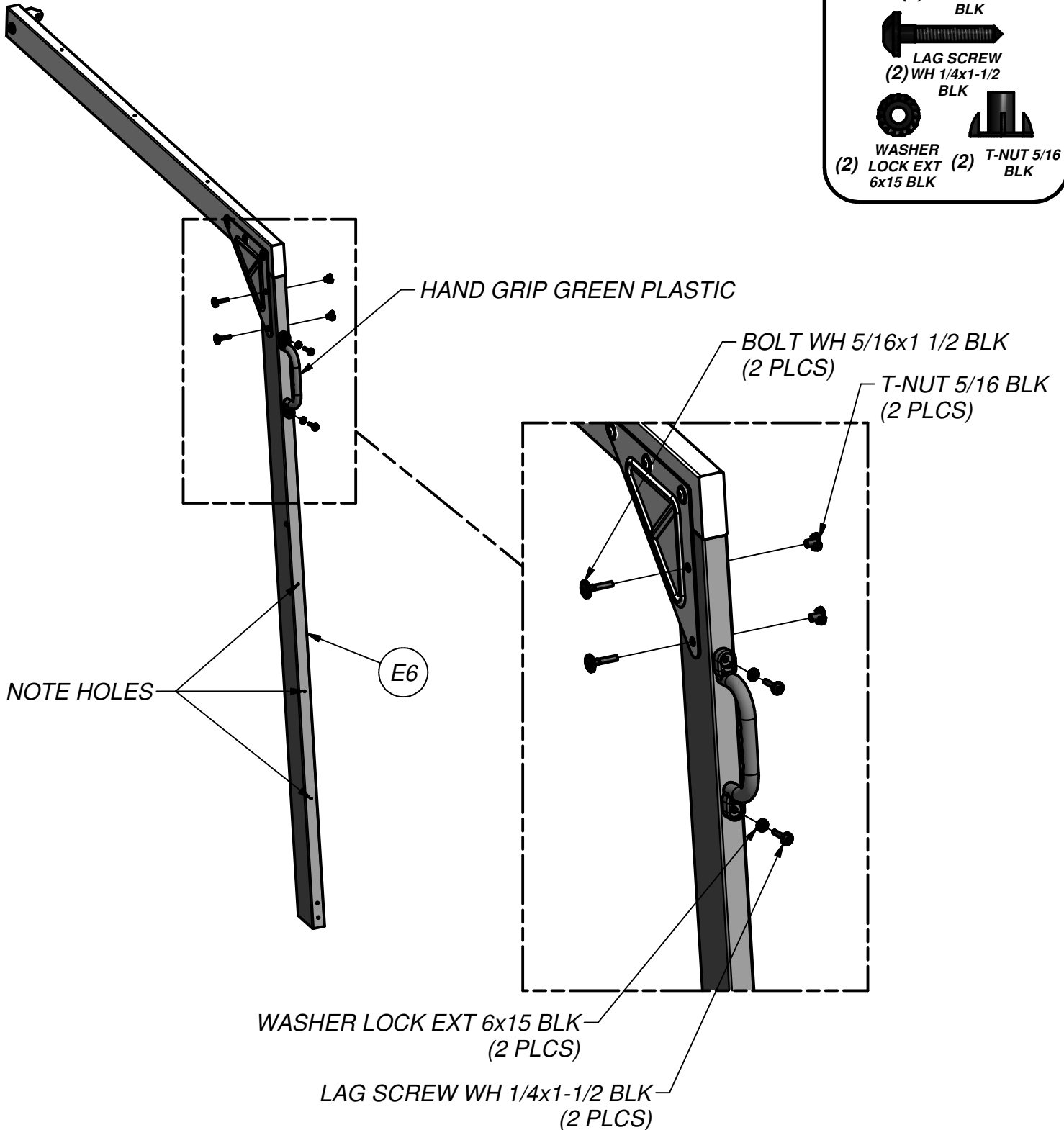
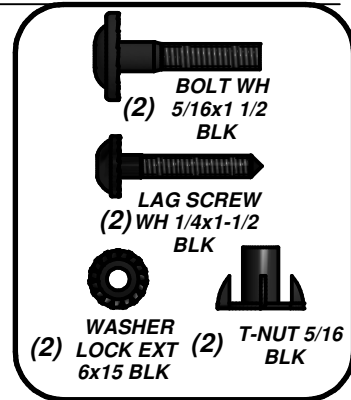


(1) E6 - MONKEY BAR UPRIGHT - W4L06935  
1 3/8"x3 3/8"x71 3/8" (36x86x1812)



(1) DQ - HAND GRIP GREEN PLASTIC - A100028

**MONKEY BAR ASSEMBLY  
STEP 3**







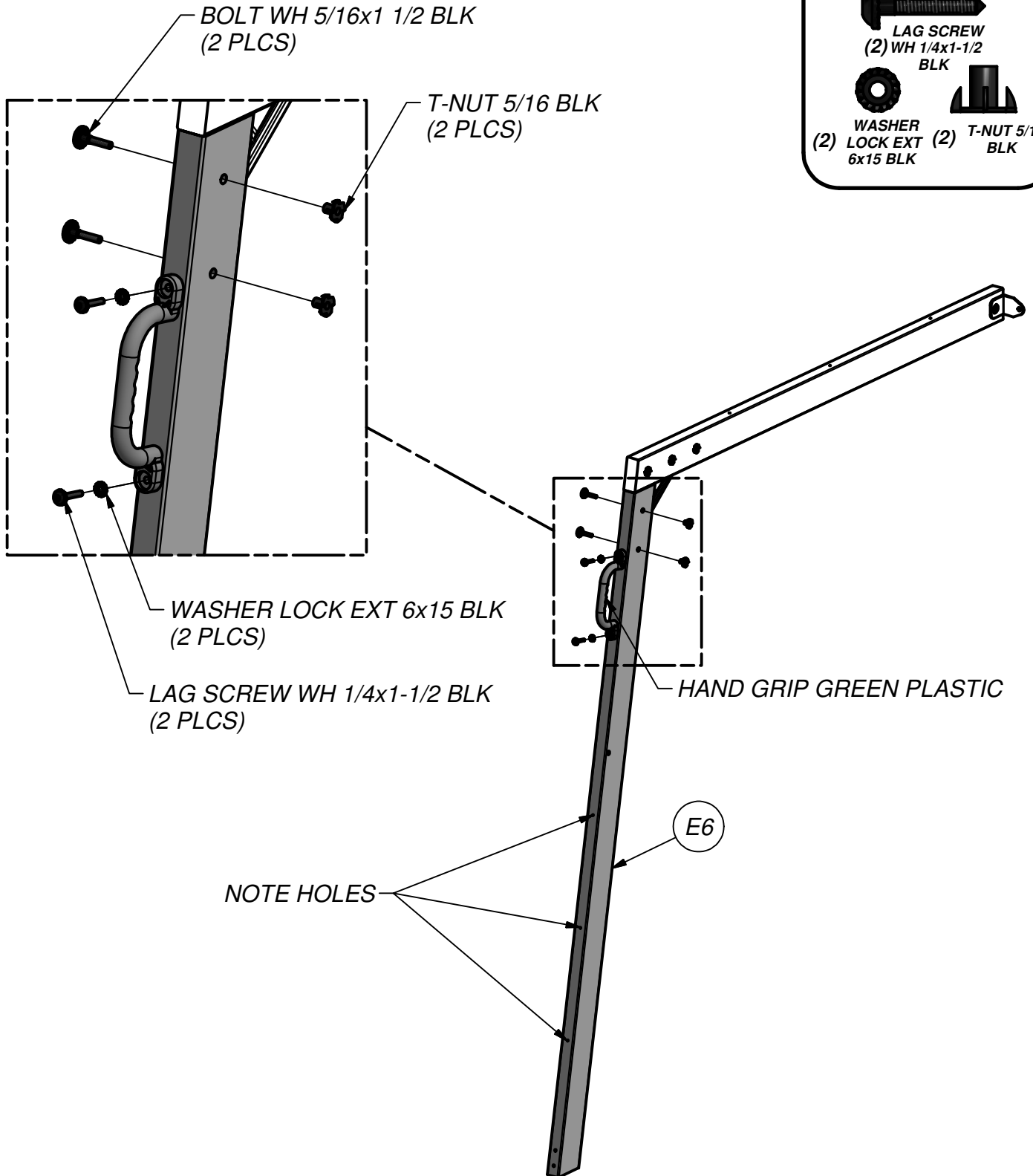
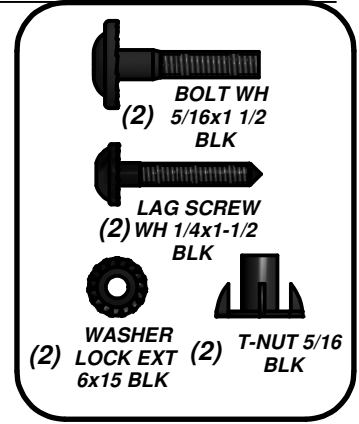
(1) E6 - MONKEY BAR UPRIGHT - W4L06935  
 1 3/8"x3 3/8"x71 3/8" (36x86x1812)



(1) DQ - HAND GRIP GREEN PLASTIC - A100028

**MONKEY BAR ASSEMBLY  
 STEP 4**

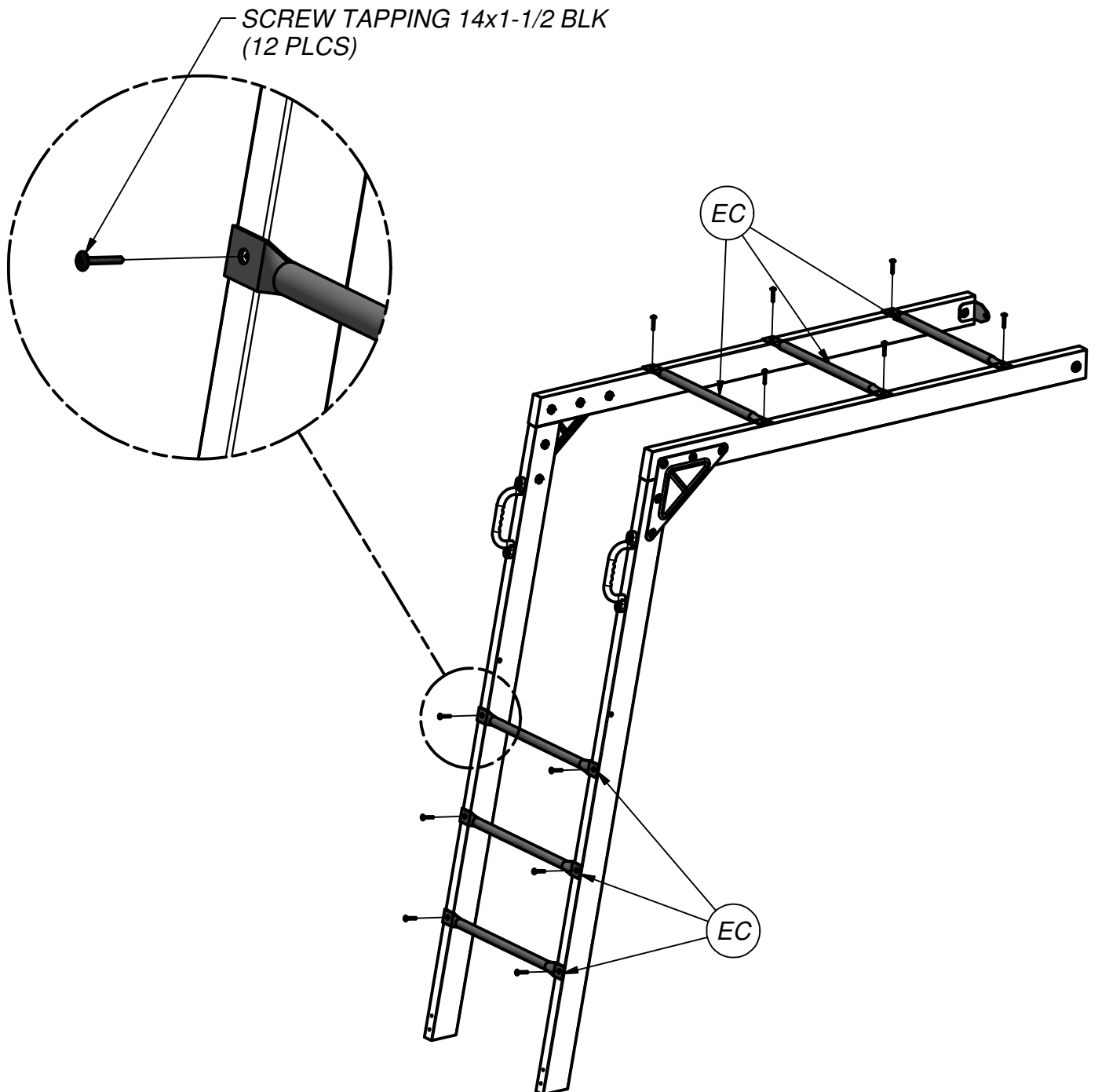
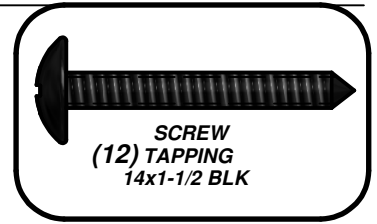
REVERSE  
 SAME AS STEP 3.





(6) EC - METAL RUNG 559 - A100045

**MONKEY BAR ASSEMBLY  
STEP 5**



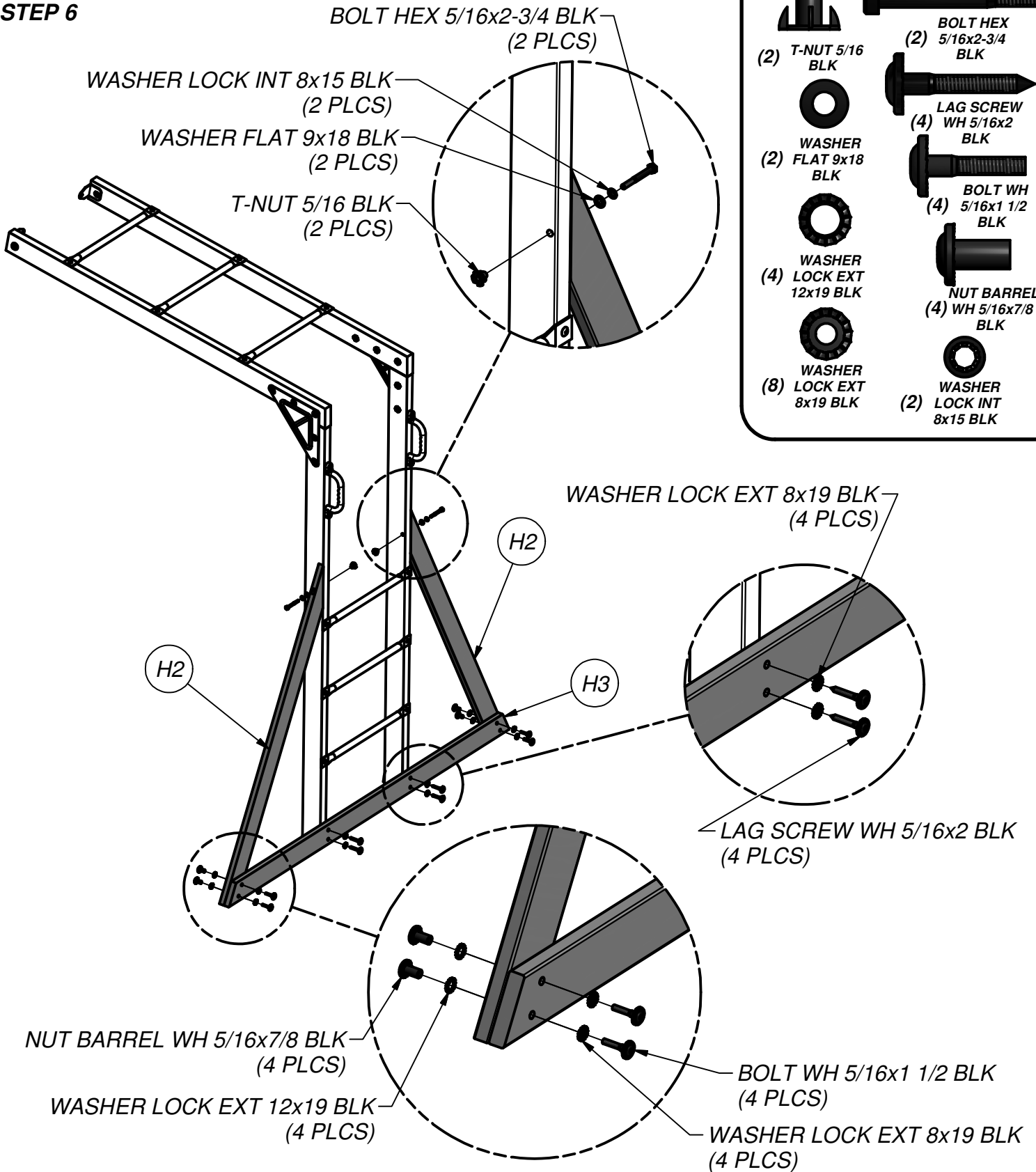


(1) H3 - MONKEY BAR GROUND BOARD - W4L06937  
1"x3 3/8"x70 3/8" (24x86x1786)



(2) H2 - MONKEY BAR BRACE - W4L06936  
1"x3 3/8"x53 1/4" (24x86x1352)

### MONKEY BAR ASSEMBLY STEP 6



(2) T-NUT 5/16 BLK	(2) BOLT HEX 5/16x2-3/4 BLK
(2) WASHER FLAT 9x18 BLK	(4) LAG SCREW WH 5/16x2 BLK
(4) WASHER LOCK EXT 12x19 BLK	(4) BOLT WH 5/16x1 1/2 BLK
(8) WASHER LOCK EXT 8x19 BLK	(4) NUT BARREL WH 5/16x7/8 BLK
(2) WASHER LOCK INT 8x15 BLK	(2) WASHER LOCK INT 8x15 BLK



(1) H74 - LEFT UPRIGHT - W4L06930  
1"x3 3/8"x50 3/4" (24x86x1290)

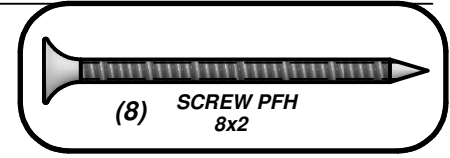
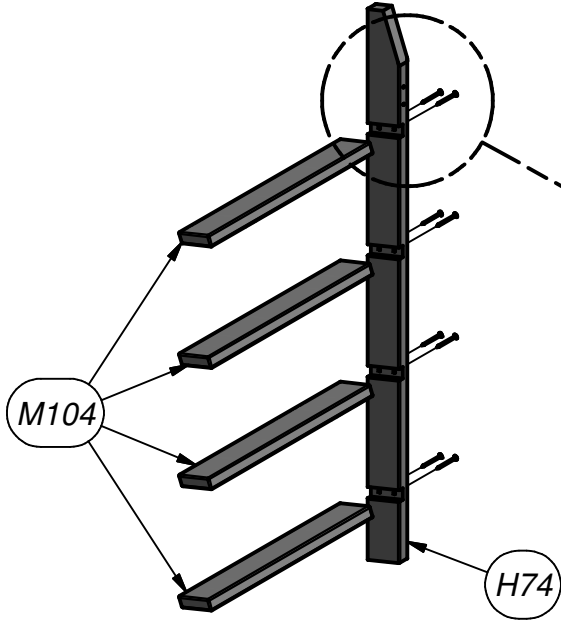


(1) H75 - RIGHT UPRIGHT - W4L06931  
1"x3 3/8"x50 3/4" (24x86x1290)



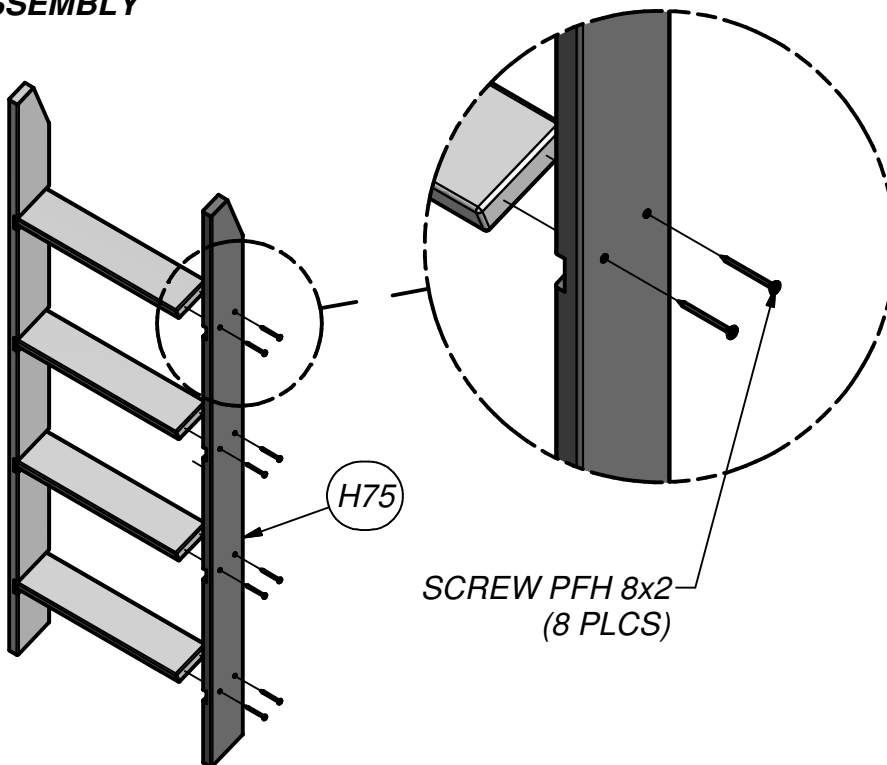
(4) M104 - LADDER RUNG - W4L06933  
1"x3 3/8"x17 1/8" (24x86x434)

### LADDER ASSEMBLY STEP 1



SCREW PFH 8x2  
(8 PLCS)

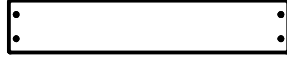
### LADDER ASSEMBLY STEP 2



SCREW PFH 8x2  
(8 PLCS)

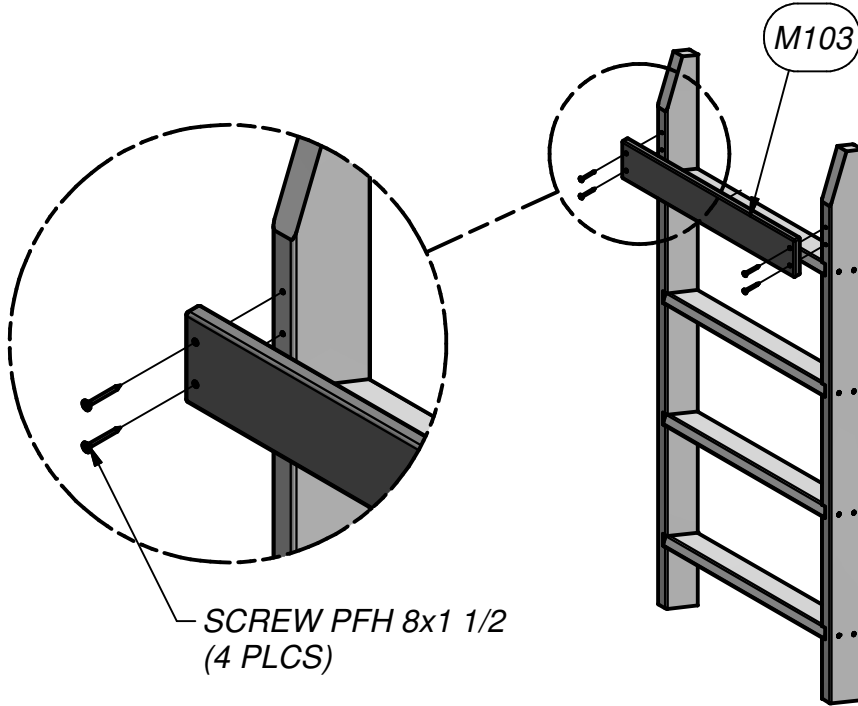
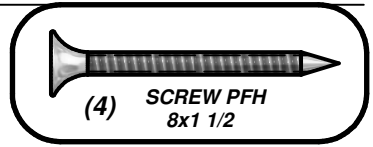


(1) M102 - ATTACHMENT BOARD - W4L06934  
5/8"x3 3/8"x18 1/4" (16x86x462)

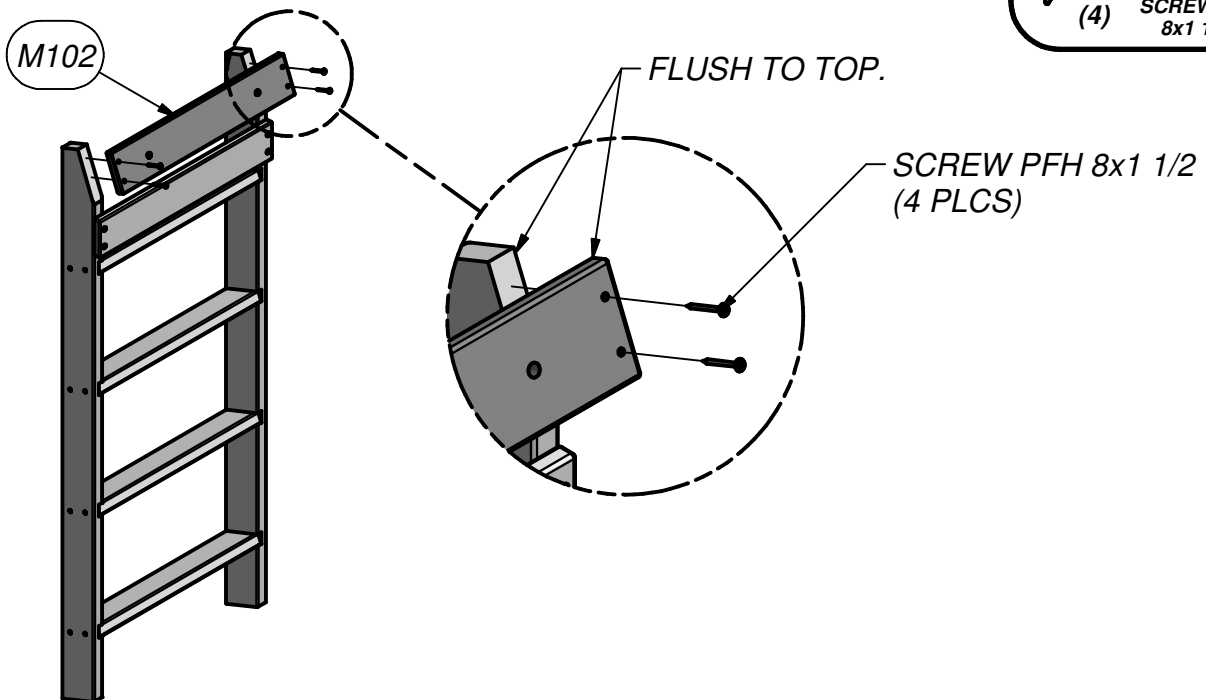
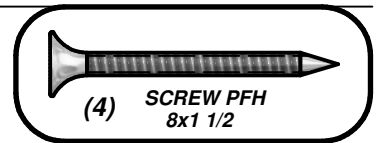


(1) M103 - REAR SUPPORT - W4L06932  
5/8"x3 3/8"x18 1/4" (16x86x462)

**LADDER ASSEMBLY  
STEP 3**

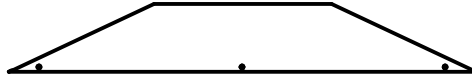


**LADDER ASSEMBLY  
STEP 4**





(4) N5 - BAY WINDOW BOARD - W4L06867  
5/8"x2 3/8"x6 1/4" (16x60x158)

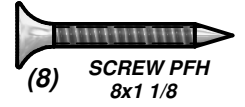


(2) L6 - BAY WINDOW HEADER - W4L06868  
5/8"x4 3/8"x30 1/2" (16x112x774)

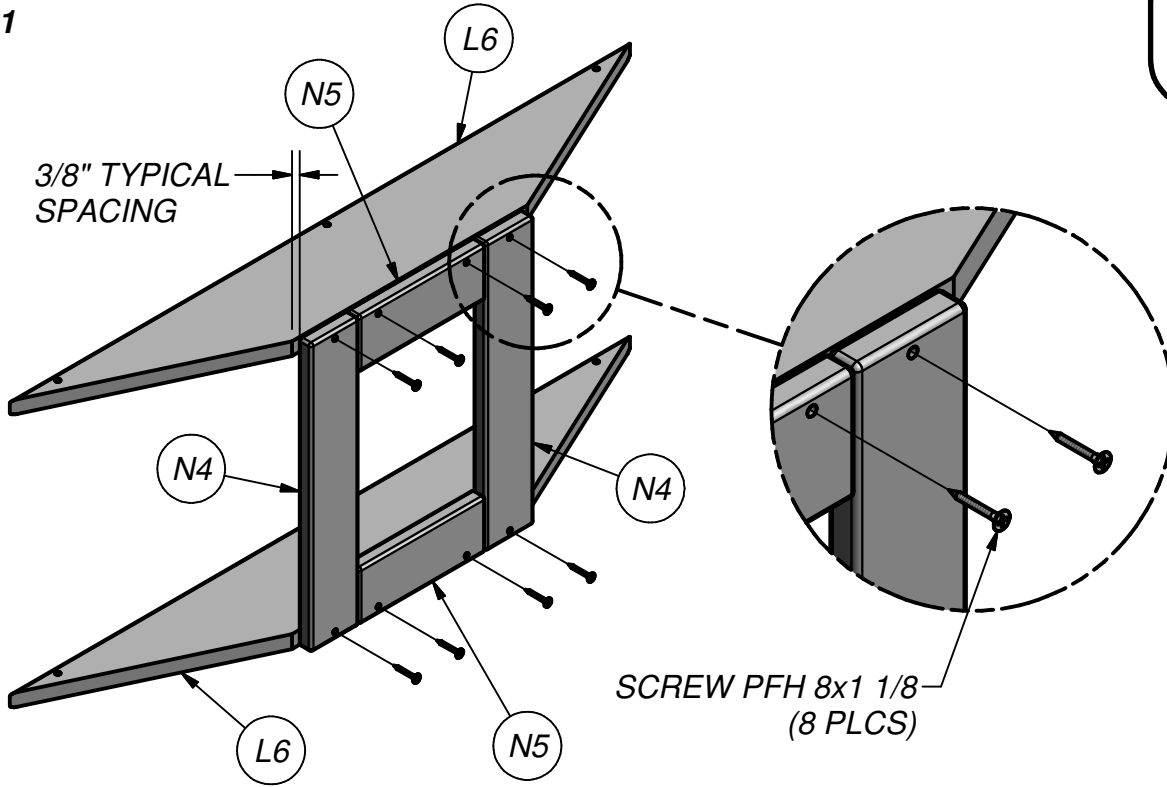


(4) N4 - BAY WINDOW BOARD - W4L06866  
5/8"x2 3/8"x13 1/8" (16x60x332)

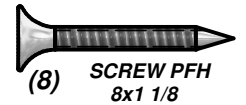
### MONTPELIER BAY WINDOW STEP 1



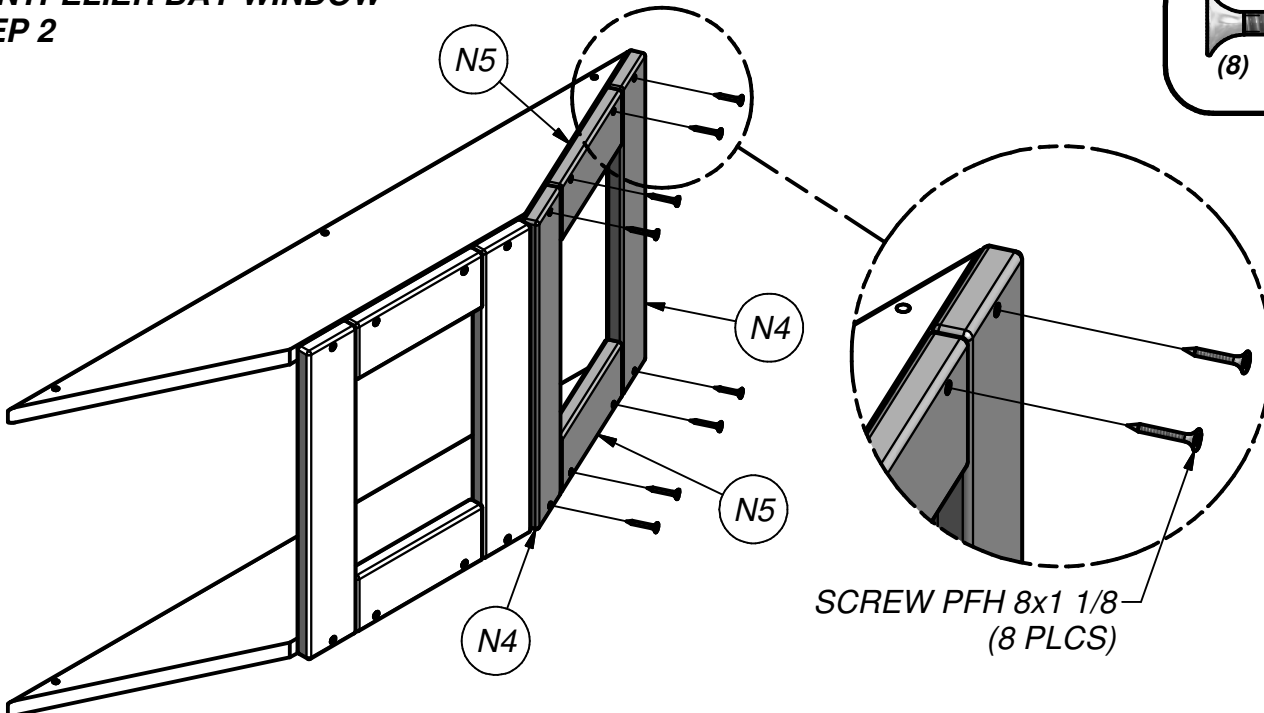
(8) SCREW PFH  
8x1 1/8

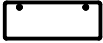


### MONTPELIER BAY WINDOW STEP 2

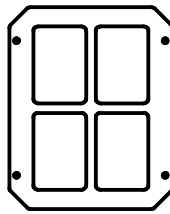


(8) SCREW PFH  
8x1 1/8





(2) N5 - BAY WINDOW BOARD - W4L06867  
5/8"x2 3/8"x6 1/4" (16x60x158)

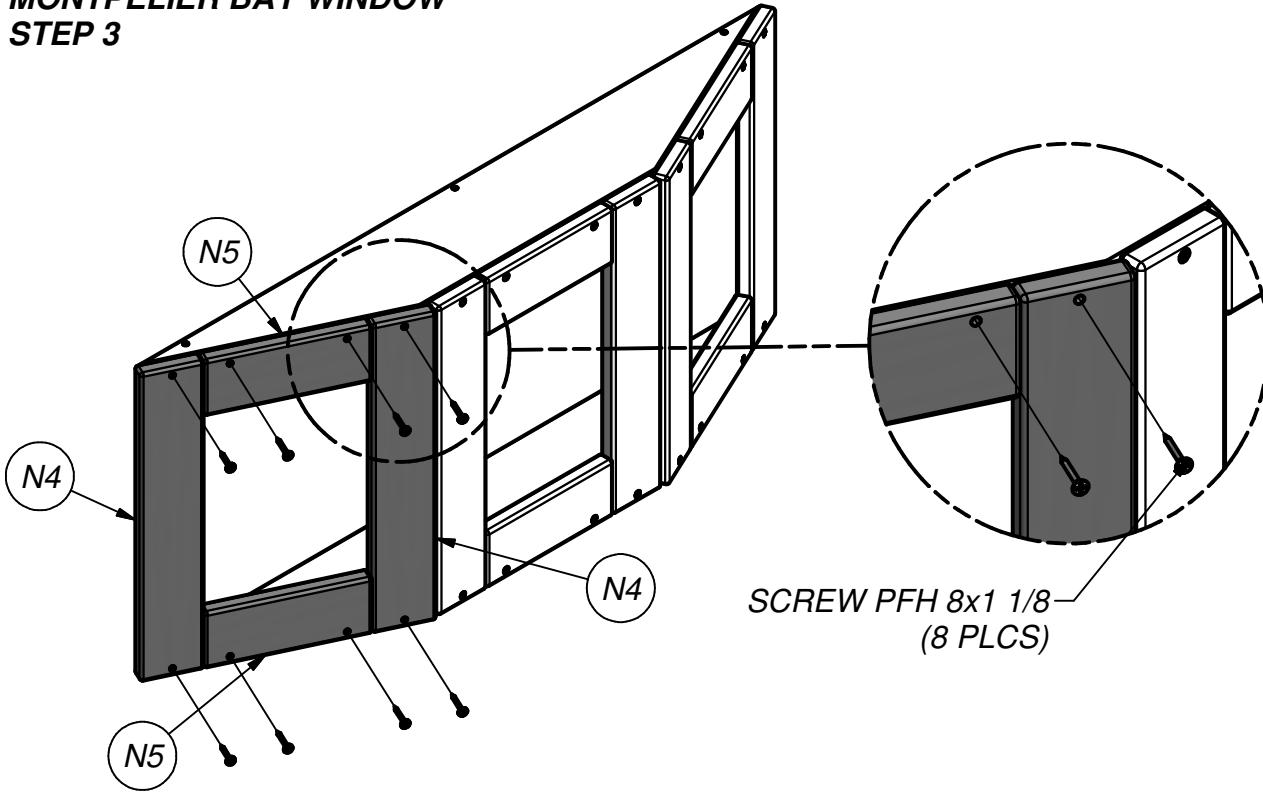
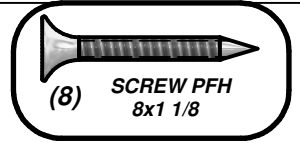


(3) MT - PLASTIC WINDOW MEDIUM WHITE - A100014

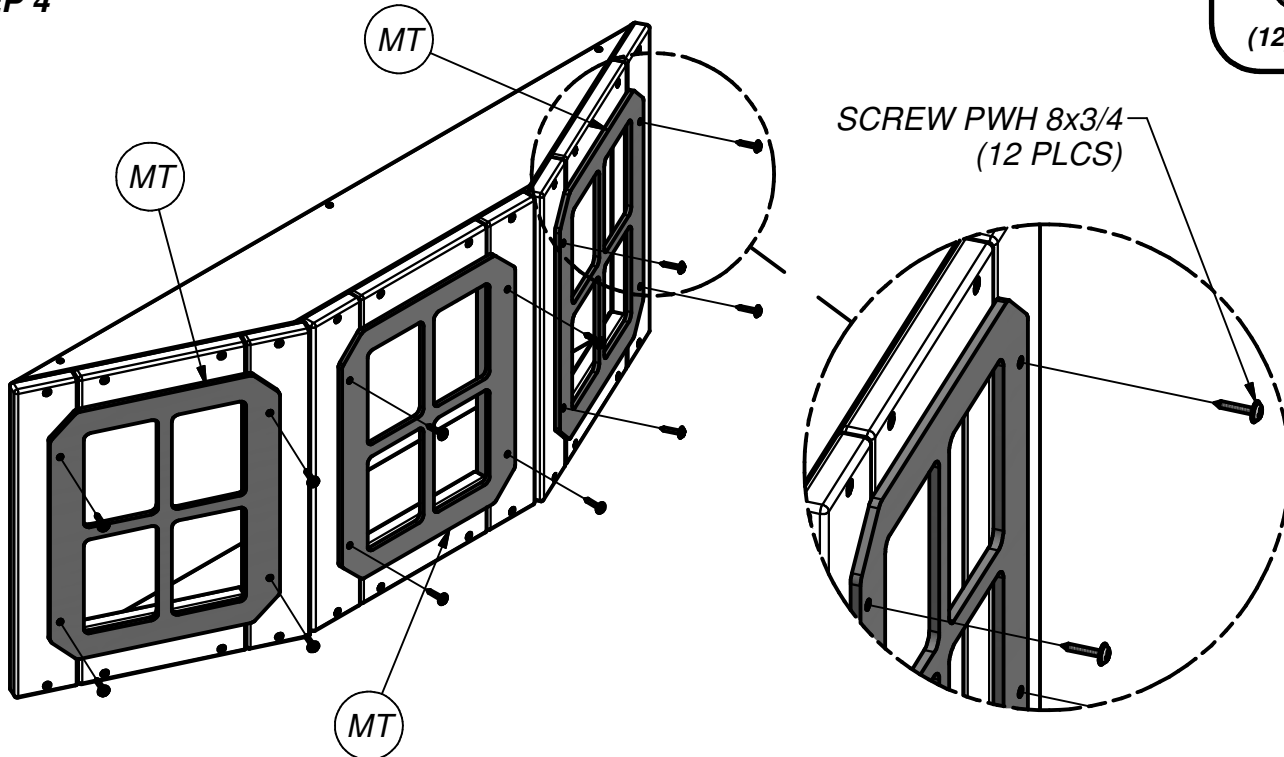
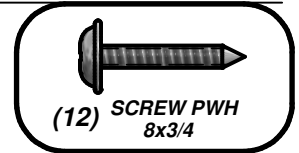


(2) N4 - BAY WINDOW BOARD - W4L06866  
5/8"x2 3/8"x13 1/8" (16x60x332)

**MONTPELIER BAY WINDOW  
STEP 3**

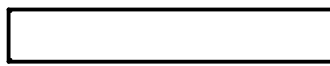


**MONTPELIER BAY WINDOW  
STEP 4**

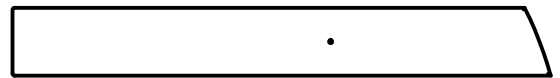




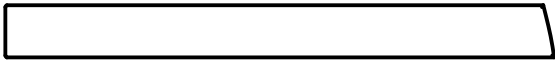
(1) L7 - DOOR BOARD - W4L06869  
5/8"x4 3/8"x35" (16x112x890)



(2) M24 - DOOR BOARD - W4L06871  
5/8"x3 3/8"x21 1/4" (16x86x540)



(1) L8 - DOOR BOARD - W4L06874  
5/8"x4 3/8"x35" (16x112x890)



(2) M23 - DOOR BOARD - W4L06870  
5/8"x3 3/8"x35 3/4" (16x86x908)



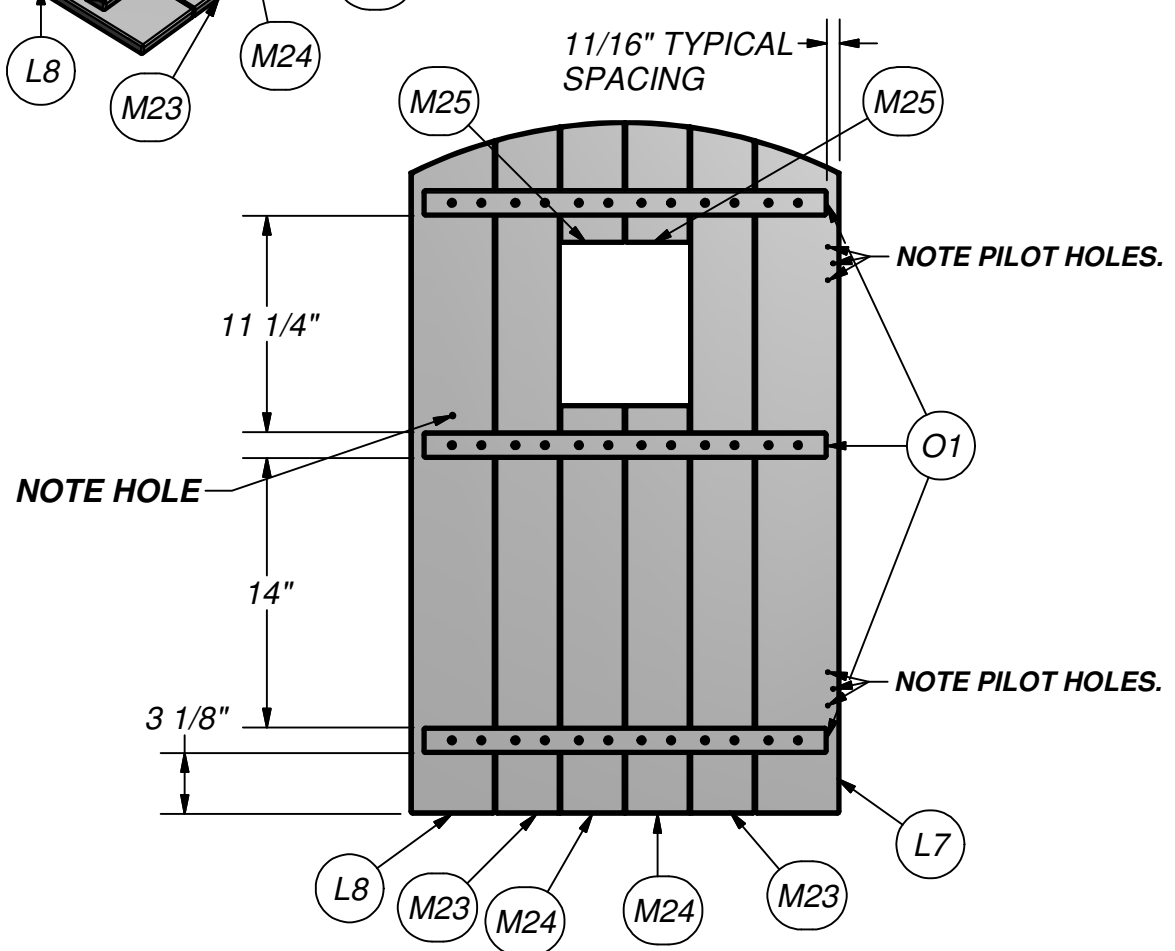
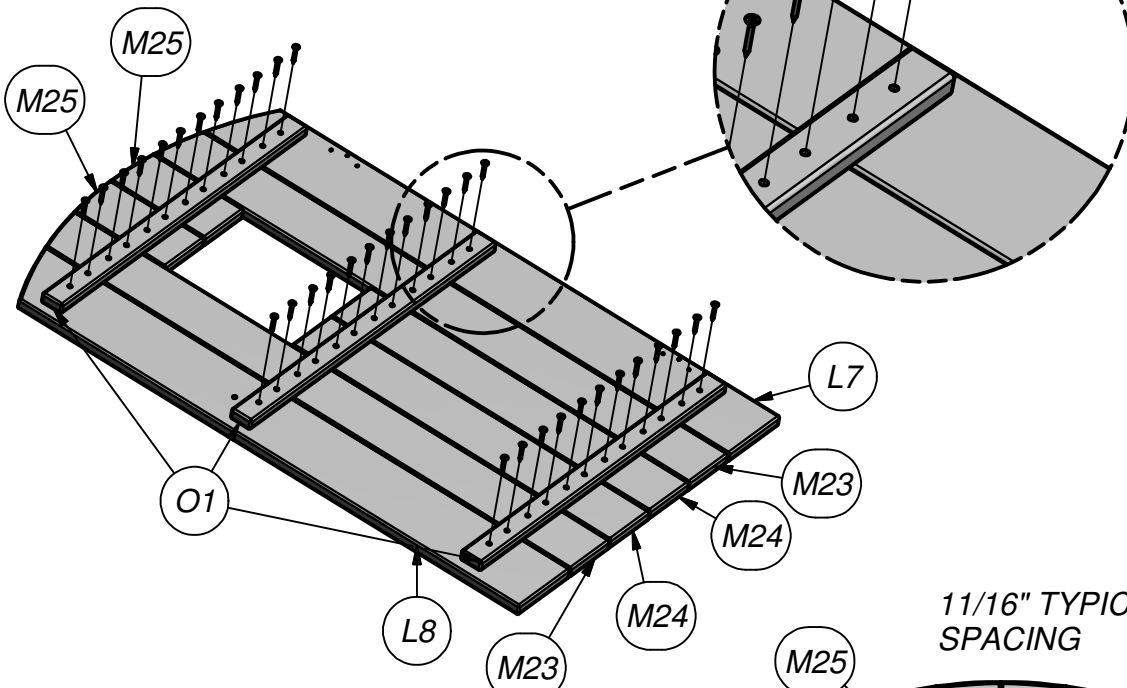
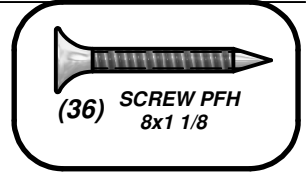
(3) O1 - DOOR CLEAT - W4L06873  
5/8"x1 3/8"x21" (16x34x534)



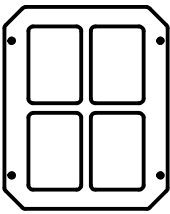
(2) M25 - DOOR BOARD - W4L06872  
5/8"x3 3/8"x6 1/4" (16x86x160)

### DOOR ASSEMBLY STEP 1

SCREW PFH 8x1 1/8  
(36 PLCS)





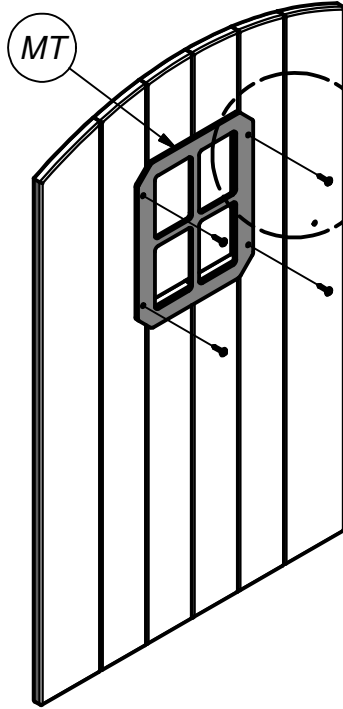


(2) - HINGE (DOOR, SPRING LOADED) - A4M00624

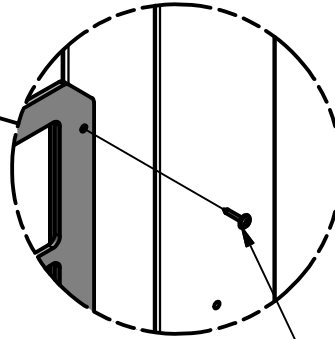
(1) - KNOB - LT BROWN - A6P00122

(1) MT - PLASTIC WINDOW MEDIUM WHITE - A100014

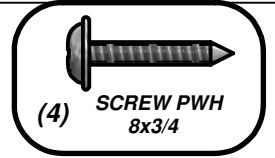
### DOOR ASSEMBLY STEP 2



MT



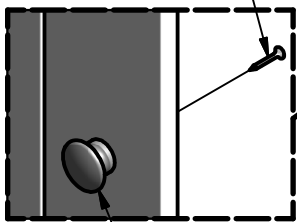
SCREW PWH 8x3/4  
(4 PLCS)



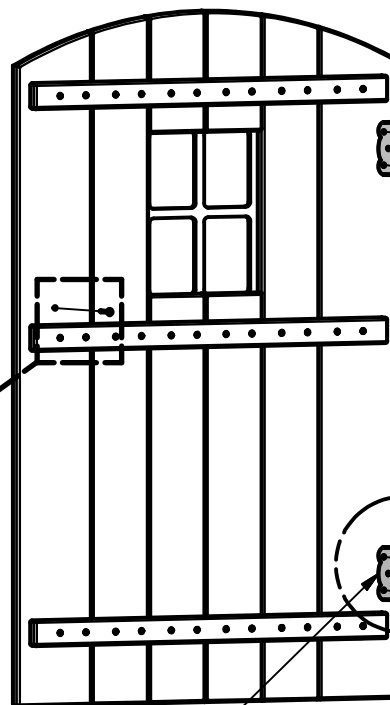
(4) SCREW PWH  
8x3/4

### DOOR ASSEMBLY STEP 3

SCREW PFH 8x1 1/8



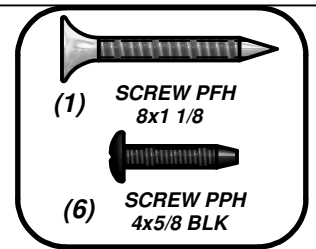
KNOB



HINGE

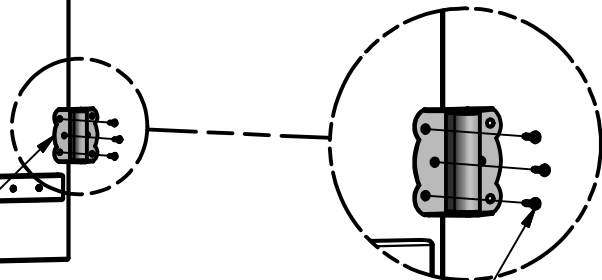
HINGE

SCREW PPH 4x5/8 BLK  
(6 PLCS)



(1) SCREW PFH  
8x1 1/8

(6) SCREW PPH  
4x5/8 BLK



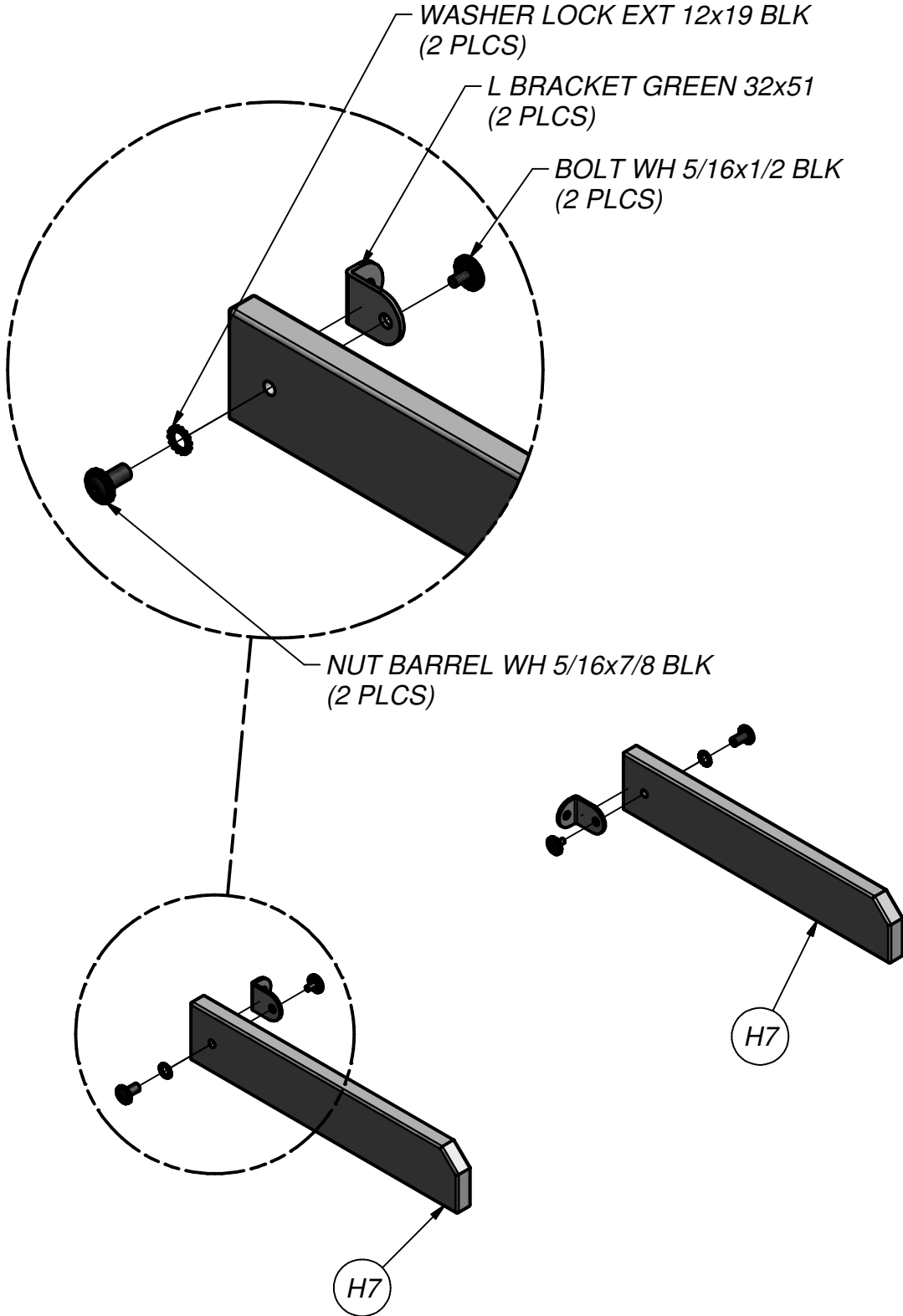


(2) H7 - BENCH GROUND BOARD - W4L06967  
1"x3 3/8"x18 1/8" (24x86x460)



(2) ES - L BRACKET GREEN 32x51 - A100061

### BENCH ASSEMBLY STEP 1



NUT BARREL  
(2) WH 5/16x7/8  
BLK

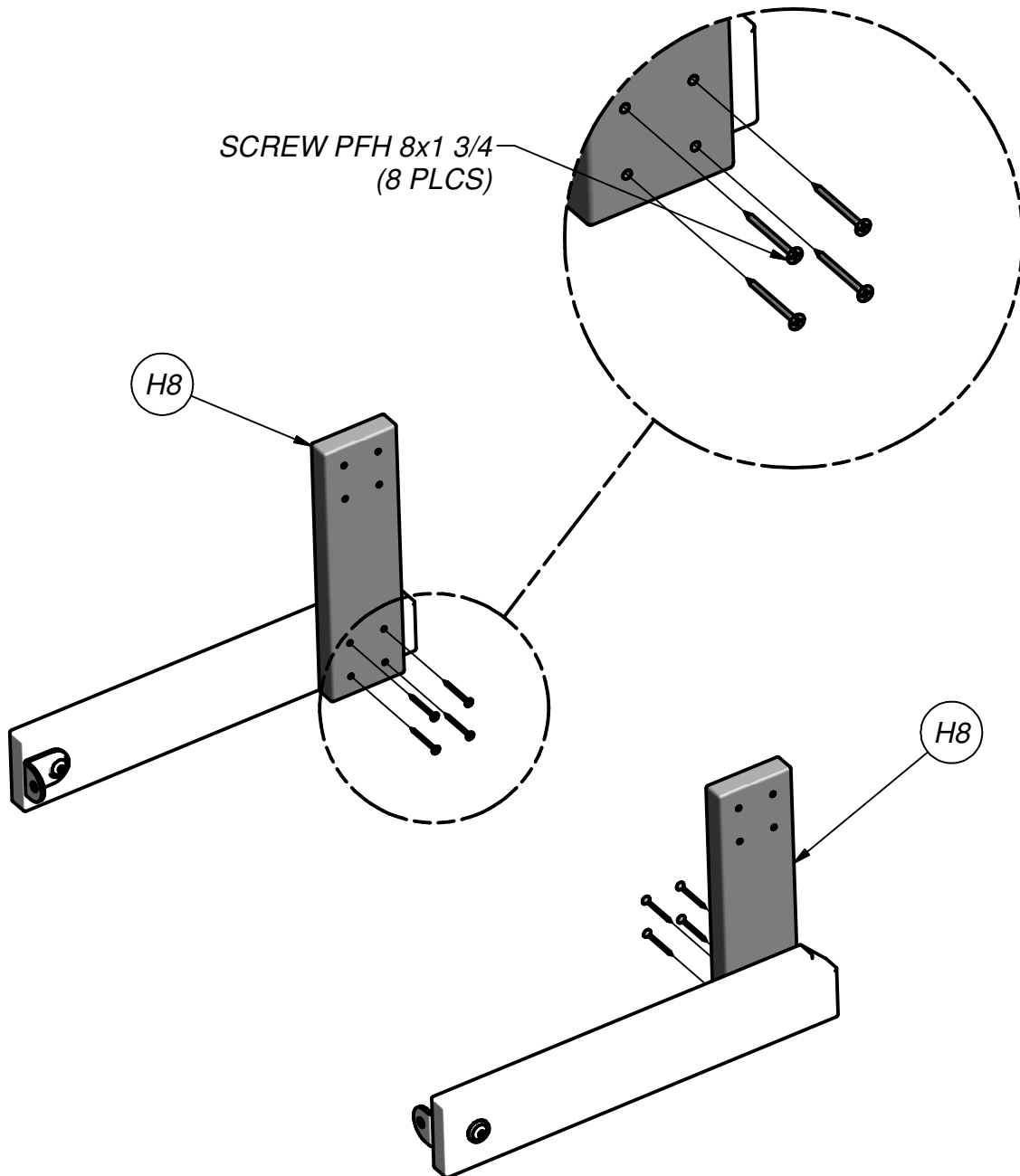
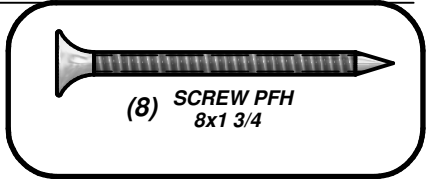
BOLT WH  
(2) 5/16x1/2 BLK

WASHER  
LOCK EXT  
(2) 12x19 BLK



(2) H8 - BENCH UPRIGHT - W4L06968  
1"x3 3/8"x11 3/4" (24x86x300)

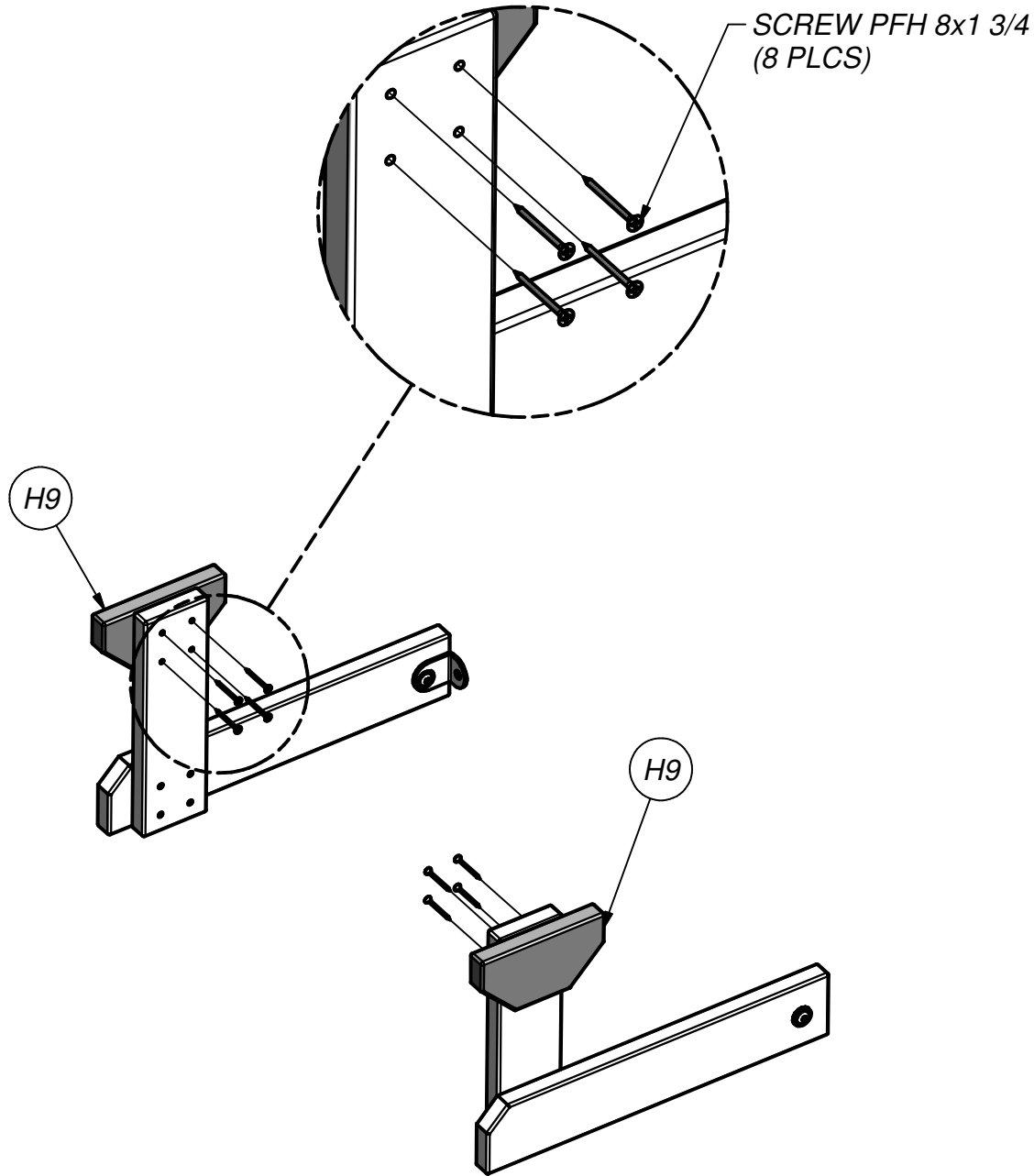
**BENCH ASSEMBLY  
STEP 2**





(2) H9 - BENCH SEAT SUPPORT - W4L06969  
1"x3 3/8"x6 1/2" (24x86x166)

**BENCH ASSEMBLY  
STEP 3**



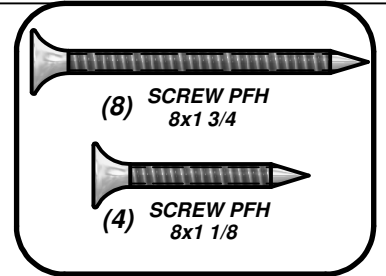


(1) **N7 - BENCH CLEAT - W4L06973**  
 5/8"x2 3/8"x5 1/8" (16x60x130)

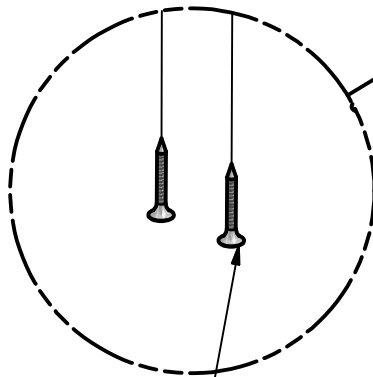
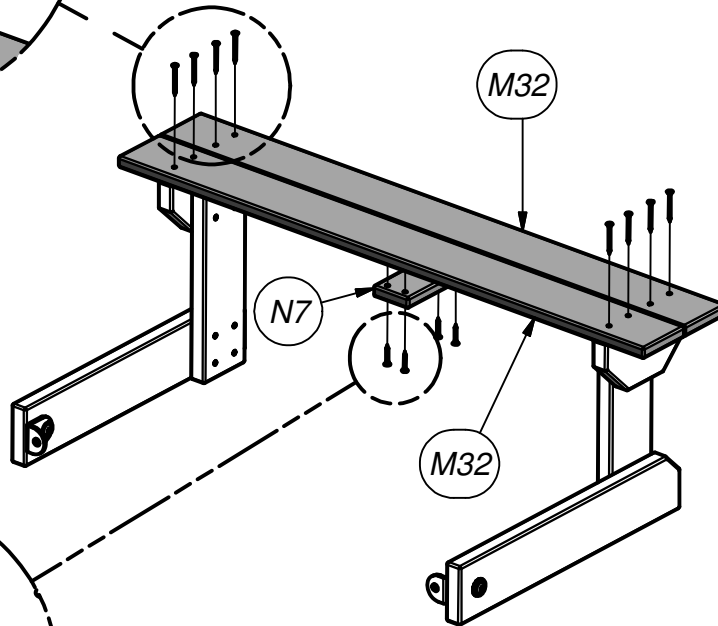
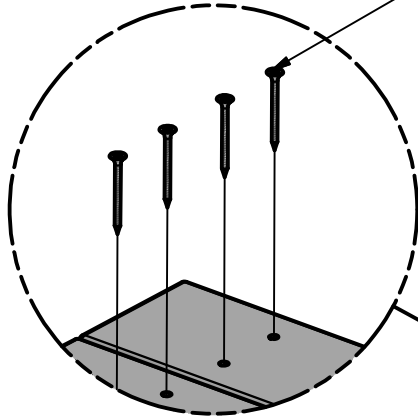


(2) **M32 - BENCH SEAT - W4L06972**  
 5/8"x3 3/8"x35 3/8" (16x86x900)

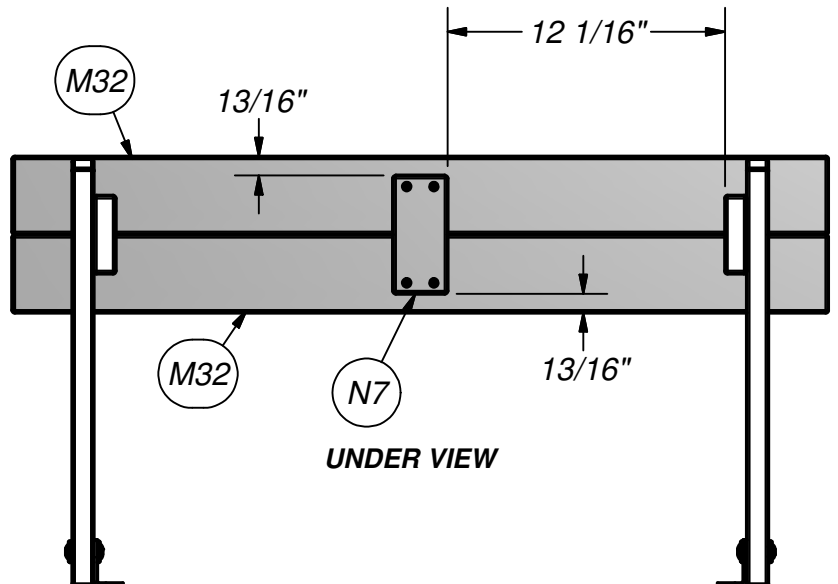
**BENCH ASSEMBLY**  
**STEP 4**



SCREW PFH 8x1 3/4  
(8 PLCS)



SCREW PFH 8x1 1/8  
(4 PLCS)

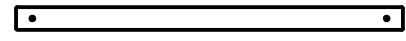




(1) E3 - UPRIGHT - W4L06825  
1 3/8"x3 3/8"x89 1/2" (36x86x2274)



(1) E1 - UPRIGHT - W2A01966-1  
1 3/8"x3 3/8"x89 1/2" (36x86x2274)



(1) N1 - SAFETY BOARD - W4L06826  
5/8"x2 3/8"x40 3/8" (16x60x1024)



(1) L4 - WALL RAIL - W4L06849  
5/8"x4 3/8"x40 3/8" (16x112x1024)



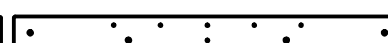
(1) G1 - SWING BEAM MOUNT - W4L06848  
1"x5 1/4"x40 3/8" (24x134x1024)



(1) K4 - GROUND BOARD - W4L06838  
5/8"x5 1/4"x40 3/8" (16x134x1024)

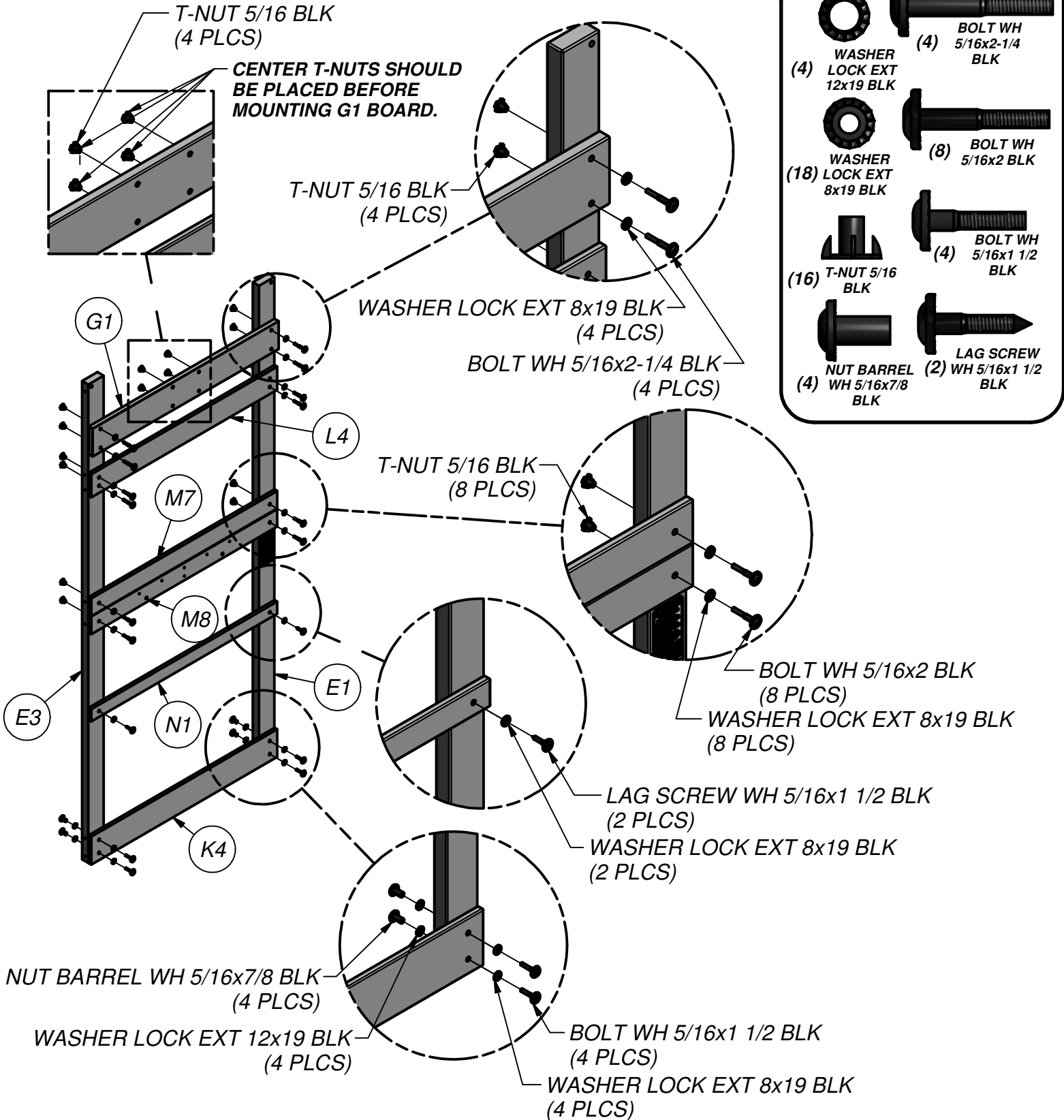


(1) M7 - FLOOR SUPPORT - W4L06836  
5/8"x3 3/8"x40 3/8" (16x86x1024)



(1) M8 - FLOOR SUPPORT - W4L06837  
5/8"x3 3/8"x40 3/8" (16x86x1024)

### STEP 1



(1) **E2 - UPRIGHT - W4L06822**  
1 3/8"x3 3/8"x73 1/8" (36x86x1856)

(1) **E5 - UPRIGHT - W4L06878**  
1 3/8"x3 3/8"x73 1/8" (36x86x1856)

(1) **L1 - WALL RAIL - W4L06845**  
5/8"x4 3/8"x40 3/8" (16x112x1024)

(1) **K3 - FLOOR SUPPORT - W4L06827**  
5/8"x5 1/4"x40 3/8" (16x134x1024)

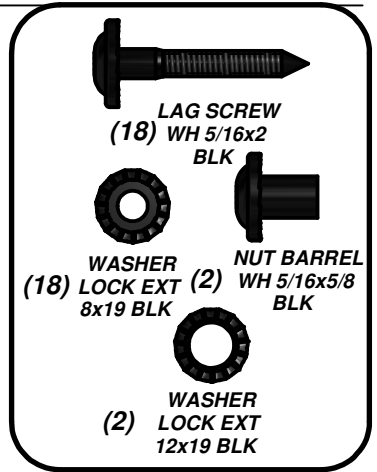
(2) **M2 - FLOOR SUPPORT - W4L06824**  
5/8"x3 3/8"x40 3/8" (16x86x1024)

(1) **M3 - FLOOR SUPPORT - W4L06828**  
5/8"x3 3/8"x40 3/8" (16x86x1024)

(1) **K2 - GROUND BOARD - W4L06821**  
5/8"x5 1/4"x40 3/8" (16x134x1024)

**STEP 2**

LAG SCREW WH 5/16x2 BLK  
(18 PLCS)

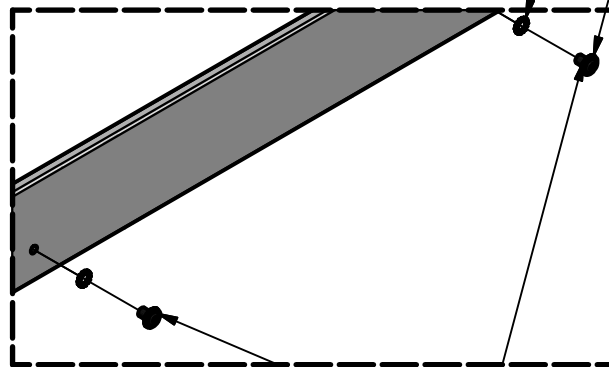


WASHER LOCK EXT 8x19 BLK  
(18 PLCS)

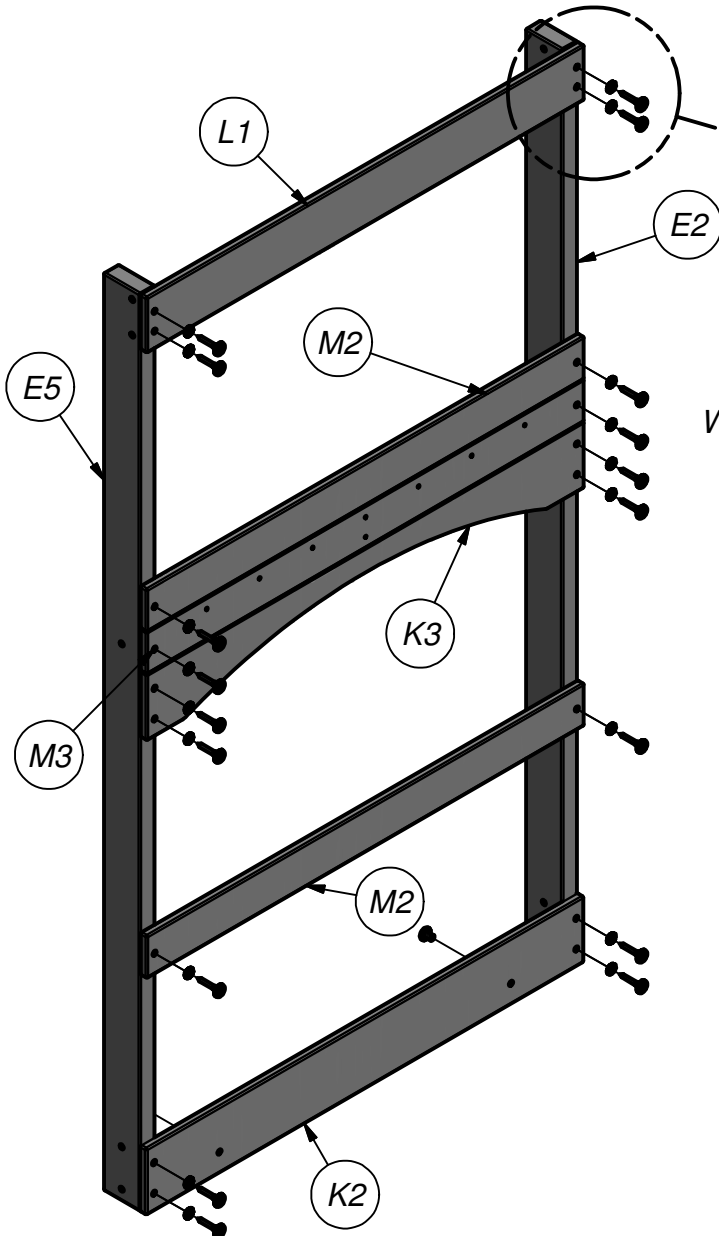
NUT BARREL WH 5/16x5/8 BLK  
(2 PLCS)

WASHER LOCK EXT 12x19 BLK  
(2 PLCS)

BACK VIEW



**CENTER HARDWARE SHOULD  
BE PLACED BEFORE  
MOUNTING K2 BOARD.**



(1) L2 - WALL RAIL - W4L06846  
5/8"x4 3/8"x64 3/4" (16x112x1644)

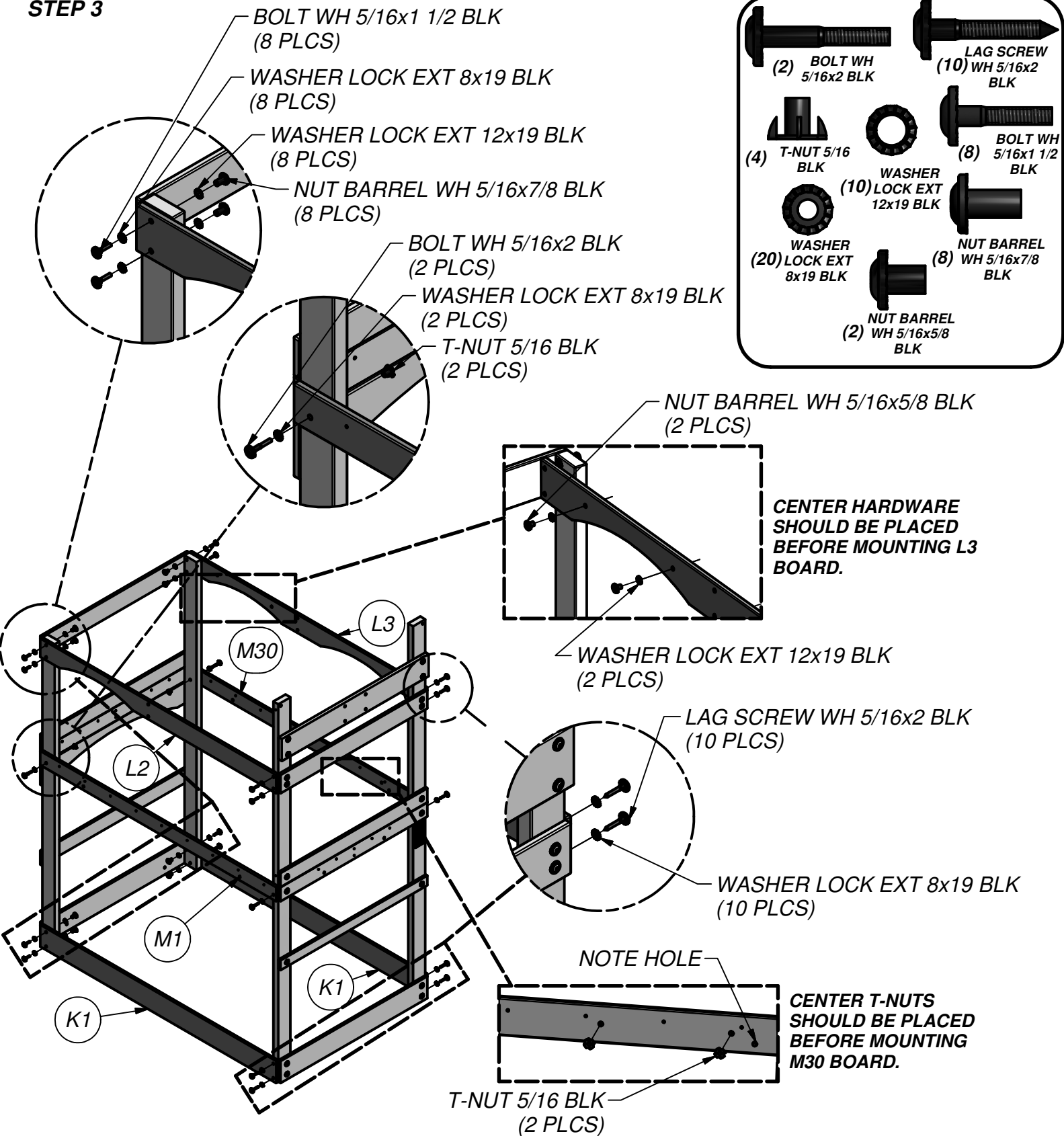
(1) M1 - FLOOR SUPPORT - W4L06823  
5/8"x3 3/8"x64 3/4" (16x86x1644)

(1) L3 - WALL RAIL - W4L06847  
5/8"x4 3/8"x64 3/4" (16x112x1644)

(1) M30 - FLOOR SUPPORT - W4L06886  
5/8"x3 3/8"x64 3/4" (16x86x1644)

(2) K1 - GROUND BOARD - W4L06820  
5/8"x5 1/4"x64 3/4" (16x134x1644)

**STEP 3**



BOLT WH 5/16x1 1/2 BLK  
(8 PLCS)

WASHER LOCK EXT 8x19 BLK  
(8 PLCS)

WASHER LOCK EXT 12x19 BLK  
(8 PLCS)

NUT BARREL WH 5/16x7/8 BLK  
(8 PLCS)

BOLT WH 5/16x2 BLK  
(2 PLCS)

WASHER LOCK EXT 8x19 BLK  
(2 PLCS)

T-NUT 5/16 BLK  
(2 PLCS)

NUT BARREL WH 5/16x5/8 BLK  
(2 PLCS)

CENTER HARDWARE  
SHOULD BE PLACED  
BEFORE MOUNTING L3  
BOARD.

WASHER LOCK EXT 12x19 BLK  
(2 PLCS)

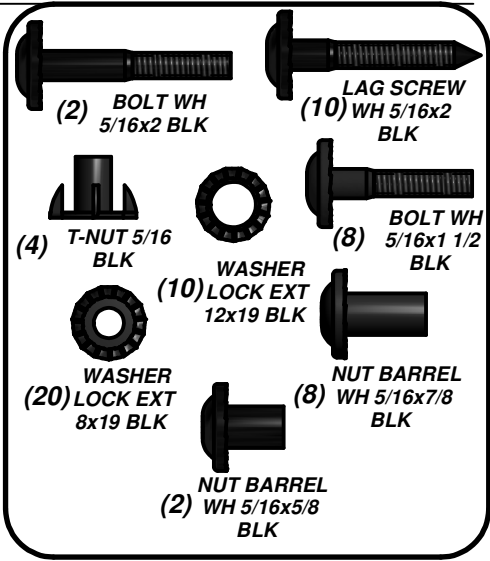
LAG SCREW WH 5/16x2 BLK  
(10 PLCS)

WASHER LOCK EXT 8x19 BLK  
(10 PLCS)

NOTE HOLE

CENTER T-NUTS  
SHOULD BE PLACED  
BEFORE MOUNTING  
M30 BOARD.

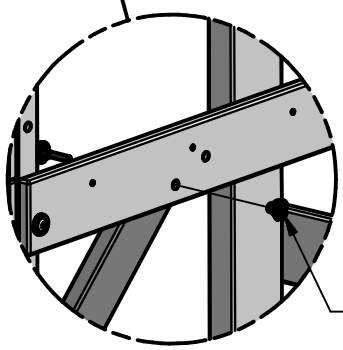
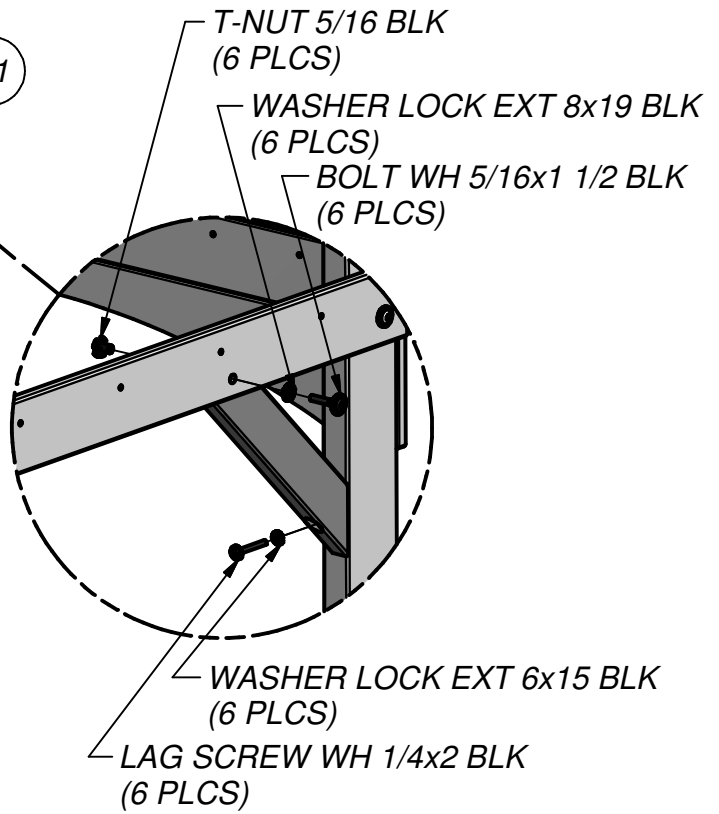
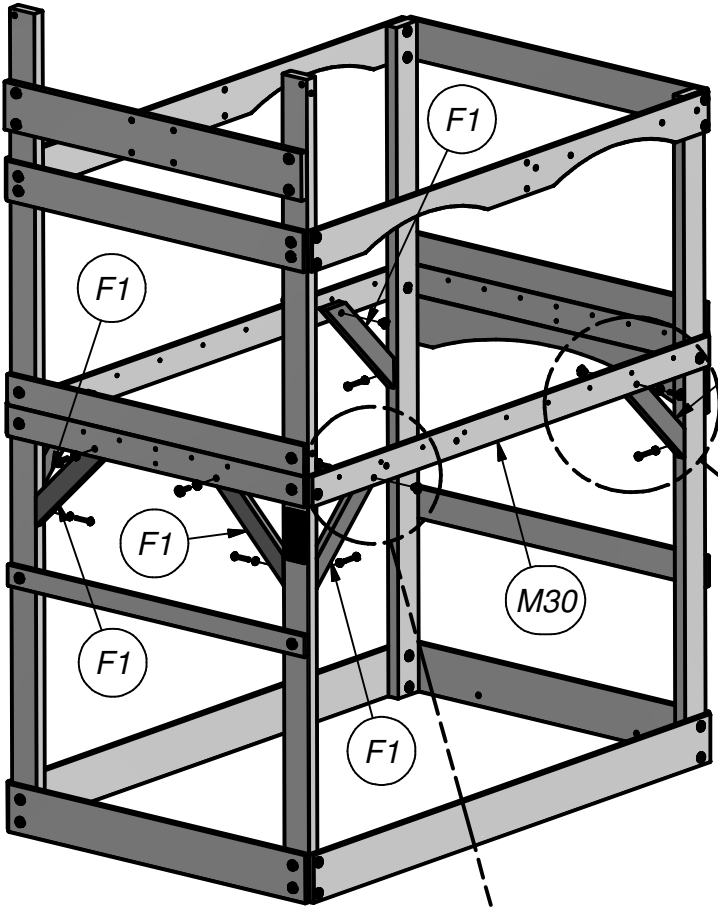
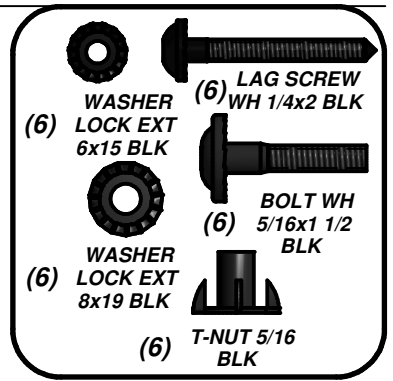
T-NUT 5/16 BLK  
(2 PLCS)



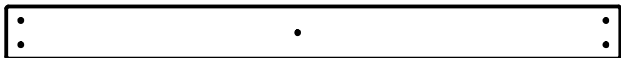


(6) **F1 - DECK BRACE - W4L06843**  
 1"x2 3/8"x15 3/4" (24x60x400)

**STEP 4**



**THIS HARDWARE  
 MUST BE PUT ON BACKWARDS  
 ON M30 BOARD FOR  
 PROPER INSTALLATION.**



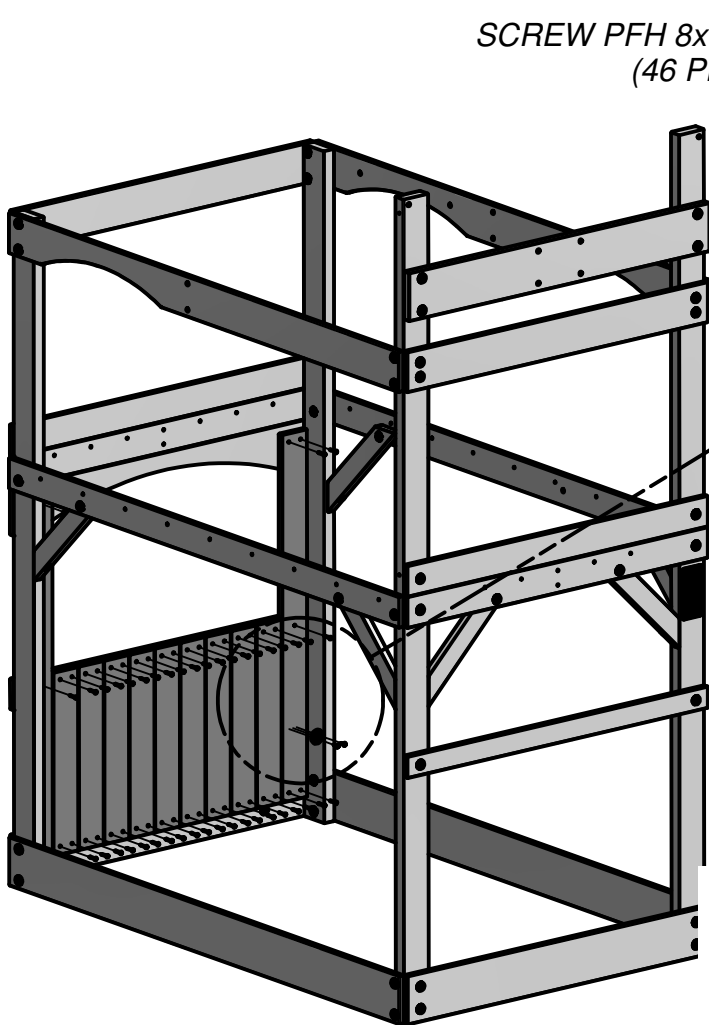
(2) **M9 - WALL BOARD - W4L06839**  
5/8"x3 3/8"x40" (16x86x1016)



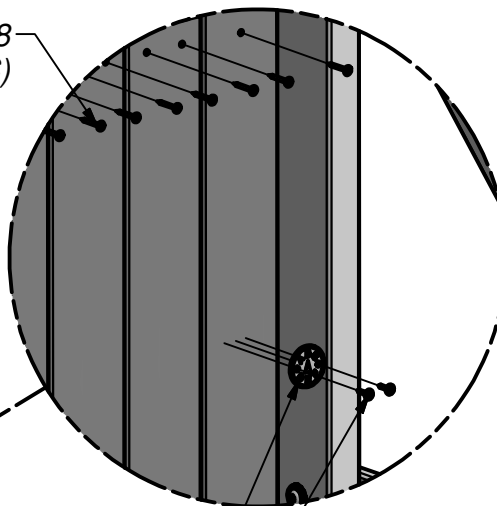
(9) **M10 - WALL BOARD - W4L06840**  
5/8"x3 3/8"x20" (16x86x508)

(1) **SR - "B" REVISION TAG - A100315**

### STEP 5

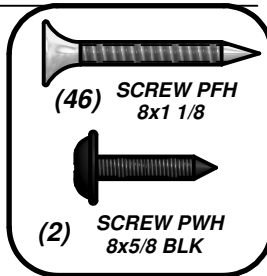


SCREW PFH 8x1 1/8  
(46 PLCS)

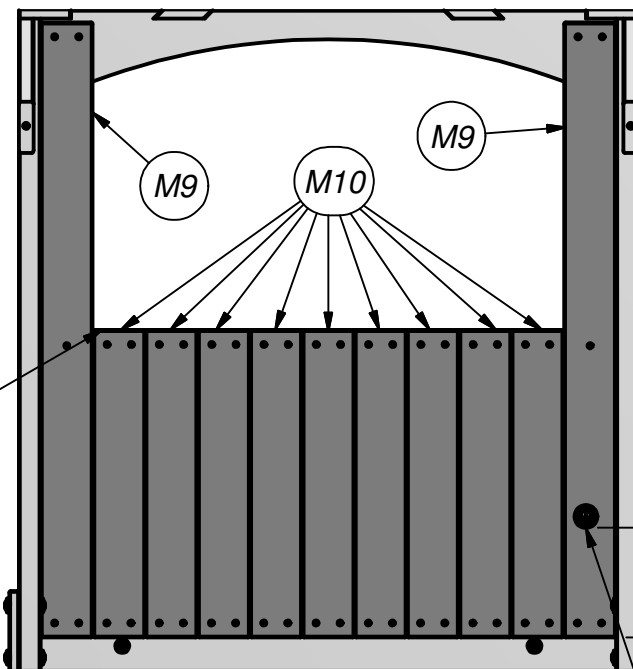


SCREW PWH 8x5/8  
(2 PLCS)

"B" REVISION TAG

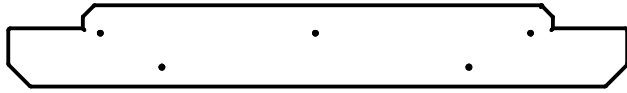


**M10 BOARDS ARE  
FLUSHED TO TOP.**



"B" REVISION TAG

7 1/8"  
APPROXIMATELY

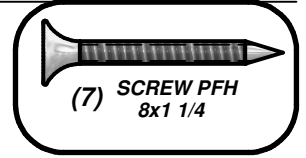


(1) **K5 - COUNTER TOP - W4L06842**  
5/8"x5 1/4"x40 3/8" (16x134x1024)

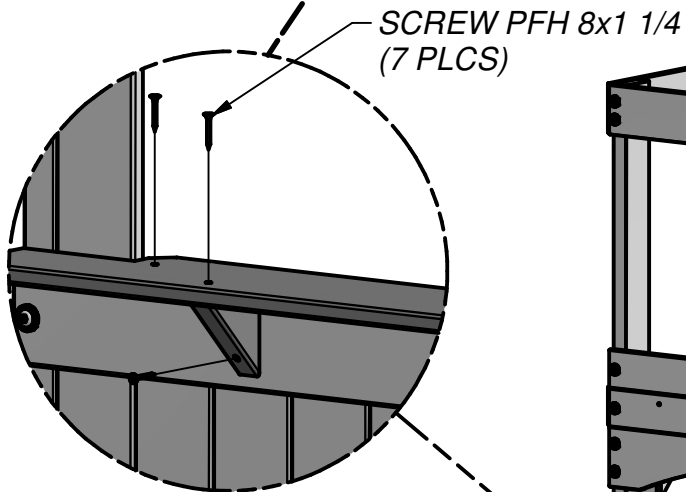
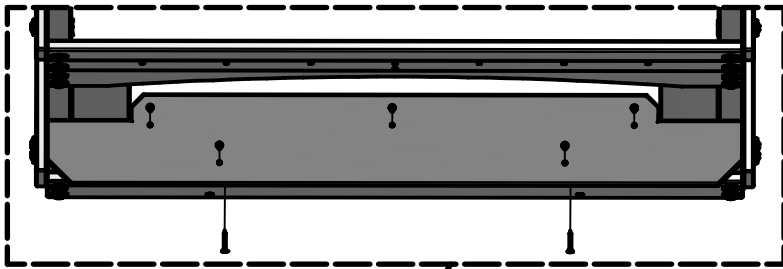


(2) **H1 - TABLE SUPPORT - W4L06841**  
1"x2"x4" (24x51x102)

**STEP 6**



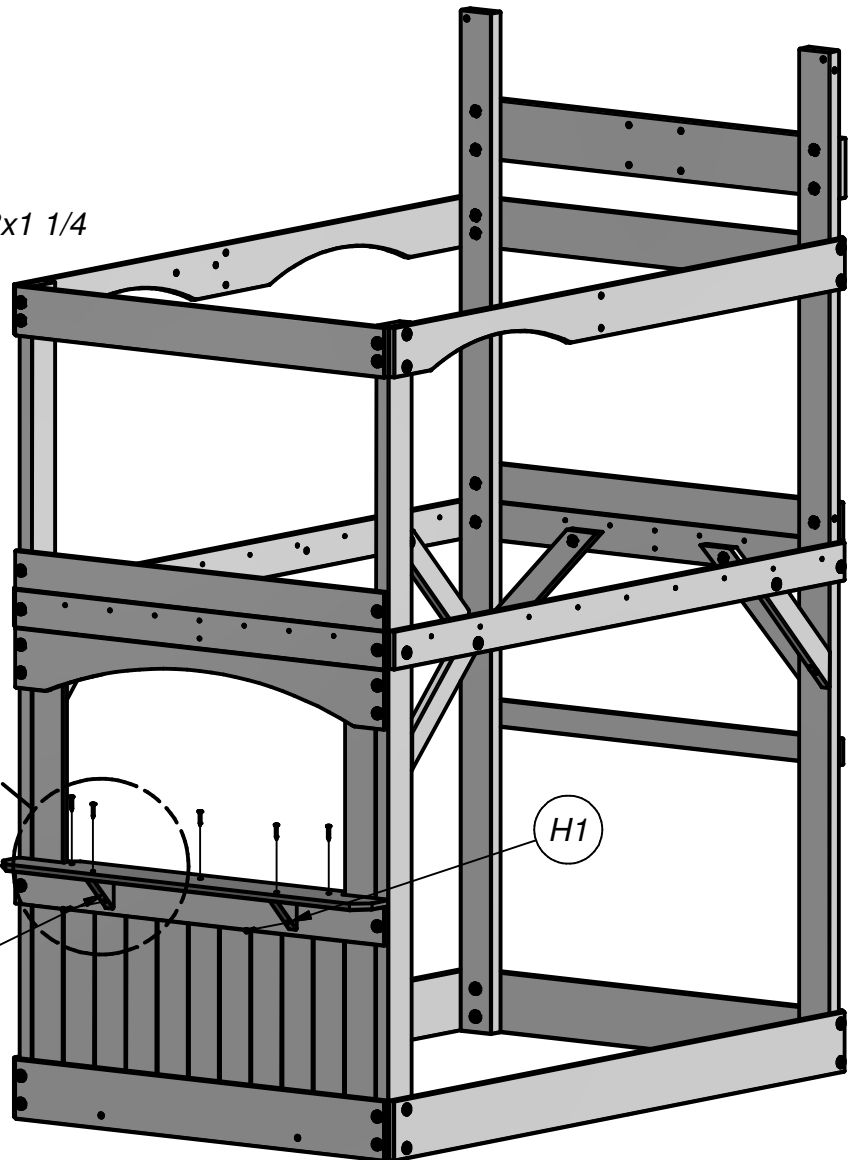
**TOP VIEW**



K5

H1

H1

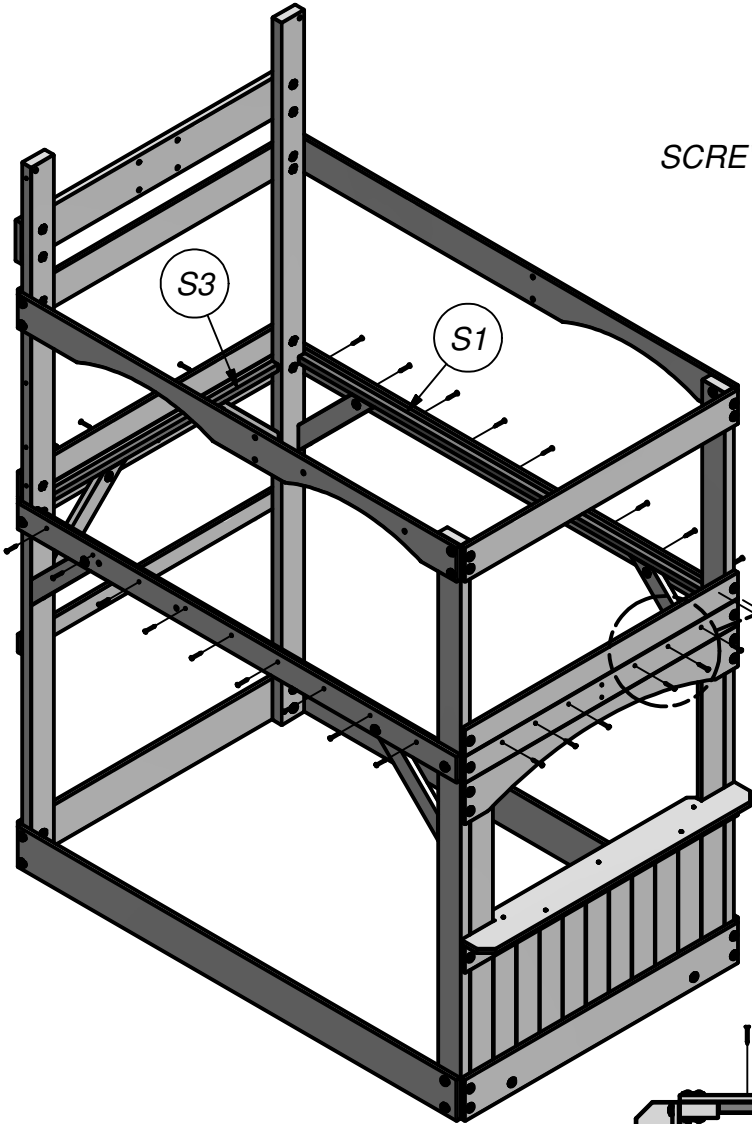
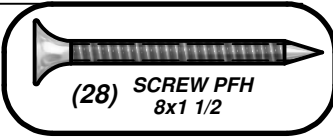


(2) S1 - FLOOR SUPPORT - W4L06833  
1"x1"x59 7/8" (24x24x1522)

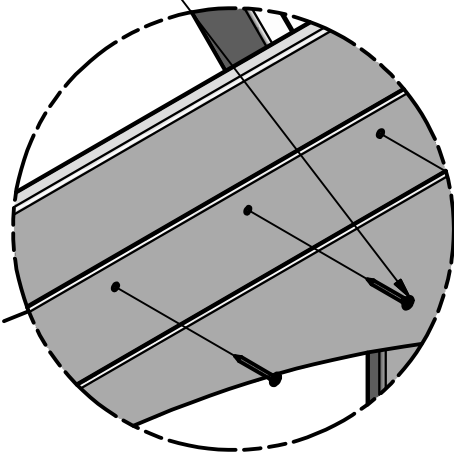
(1) S2 - FLOOR SUPPORT - W4L06834  
1"x1"x37 1/2" (24x24x952)

(1) S3 - FLOOR SUPPORT - W4L06835  
1"x1"x33 1/2" (24x24x852)

**STEP 7**

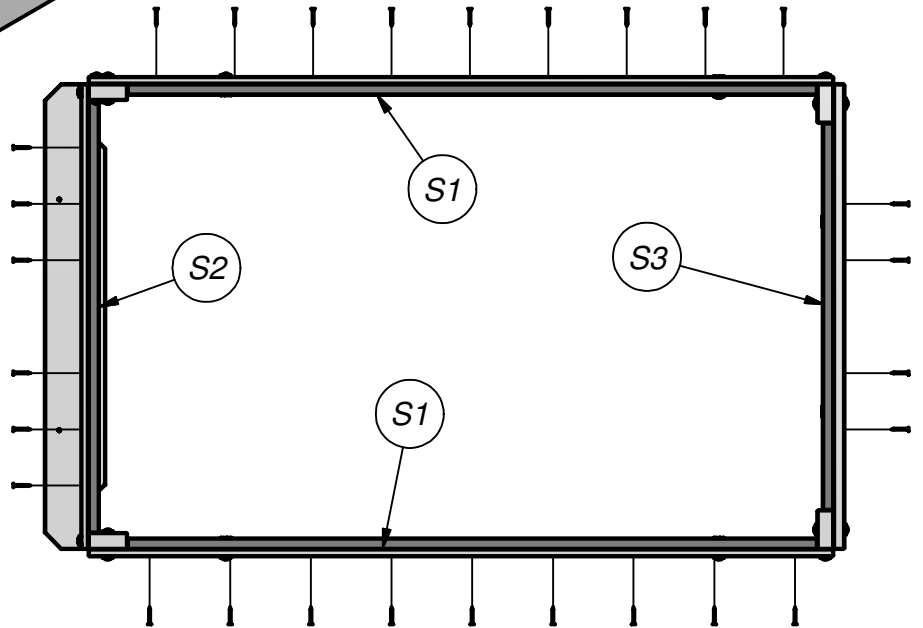


SCREW PFH 8x1 1/2  
(28 PLCS)



11/16"  
TYPICAL

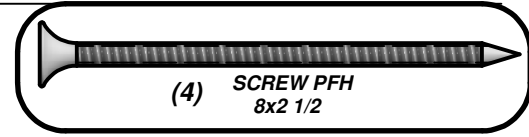
**TOP VIEW**



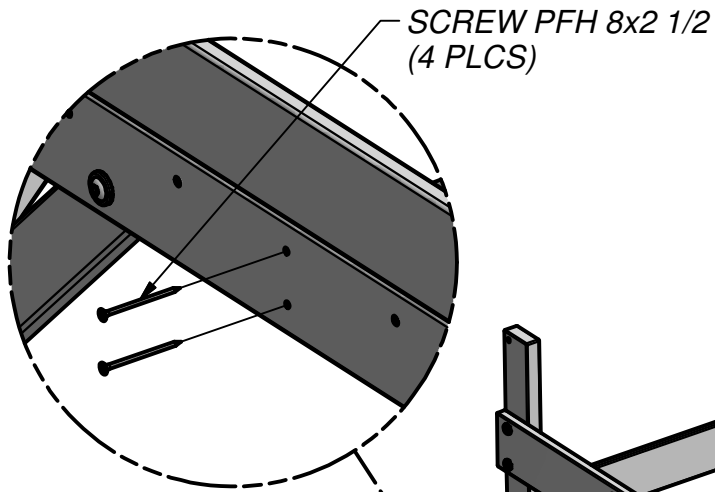


(1) J1 - JOIST - W4L06829  
1"x2 3/8"x64 3/4" (24x60x1644)

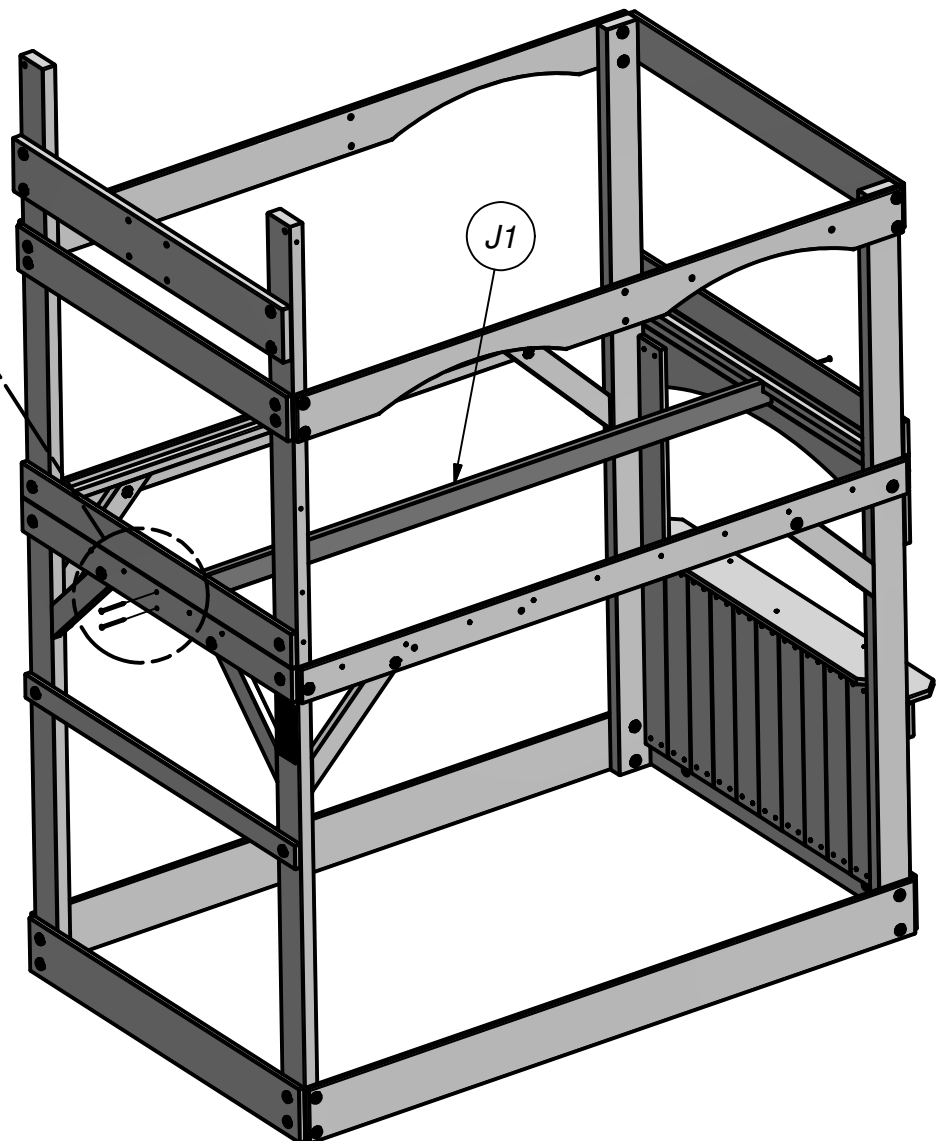
**STEP 8**



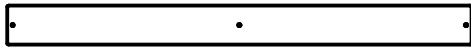
(4) SCREW PFH  
8x2 1/2



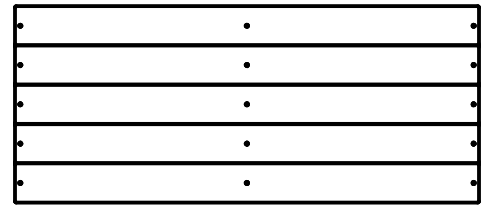
SCREW PFH 8x2 1/2  
(4 PLCS)



J1



(2) **M4 - FLOOR BOARD - W4L06830**  
5/8"x3 3/8"x40 3/8" (16x86x1024)



(3) **FP1 - FLOOR PANEL - W2A01965 -**  
1 1/4"x17x40 5/16" (32x432x1024)

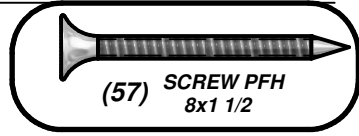


(1) **M5 - FLOOR BOARD - W4L06831**  
5/8"x3 3/8"x40 3/8" (16x86x1024)

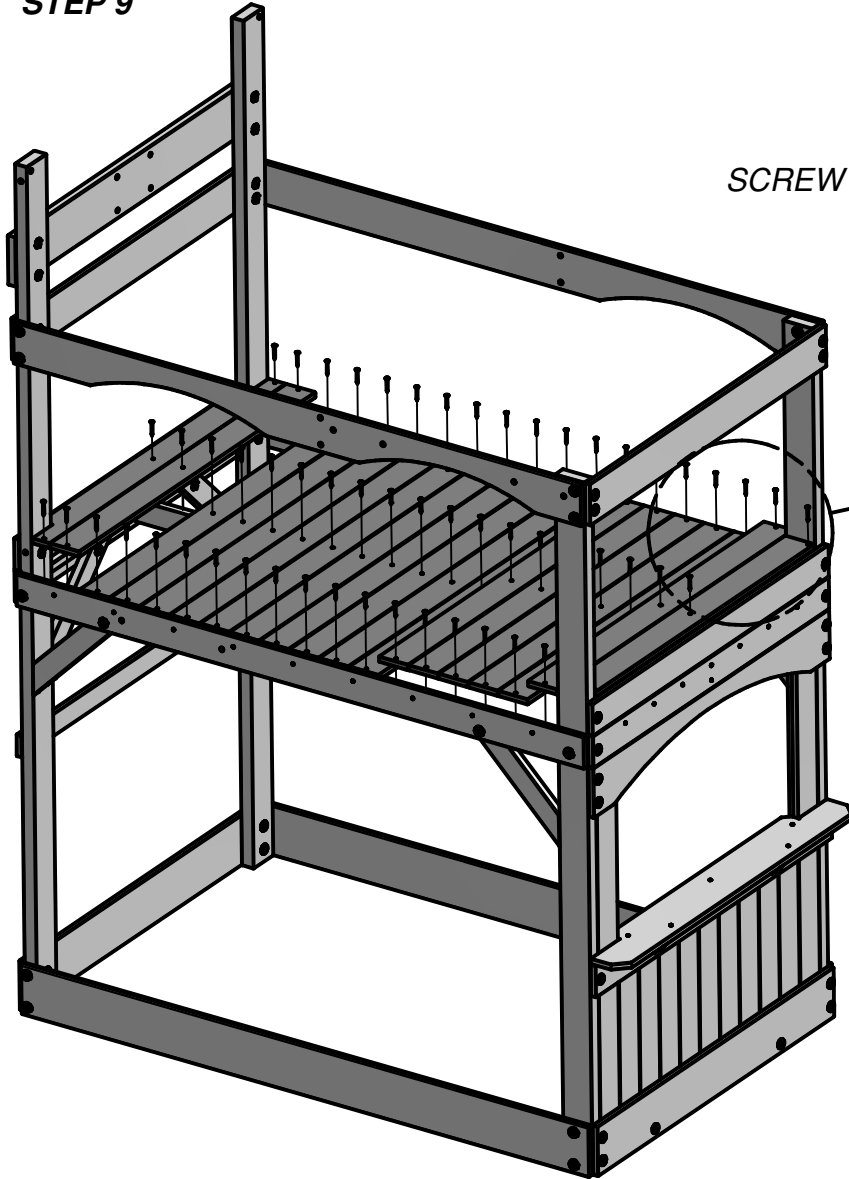


(1) **M6 - FLOOR BOARD - W4L06832**  
5/8"x3 3/8"x37 1/2" (16x86x952)

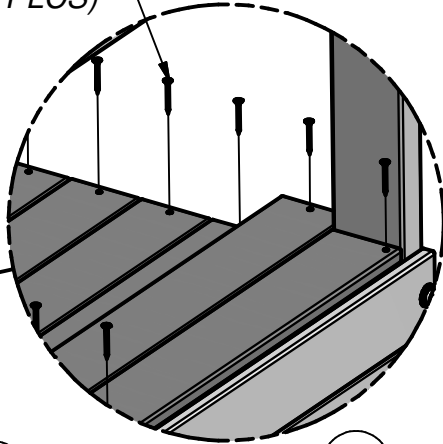
**STEP 9**



(57) **SCREW PFH**  
8x1 1/2



SCREW PFH 8x1 1/2  
(57 PLCS)



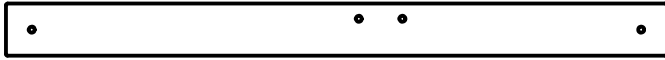
M4

M5

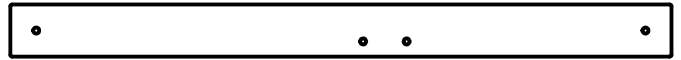
FP1

M4

M6

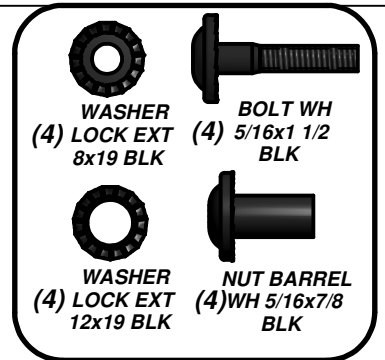


(1) **E4 - CLUB HOUSE LEG - W4L06853**  
1 3/8" x 3 3/8" x 43 1/8" (36x86x1094)



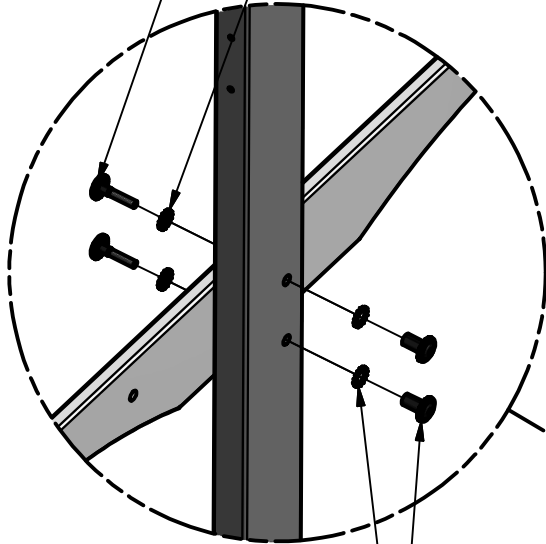
(1) **E8 - CLUB HOUSE LEG - W4L06971**  
1 3/8" x 3 3/8" x 43 1/8" (36x86x1094)

**STEP 10**



**BOLT WH 5/16x1 1/2 BLK**  
(4 PLCS)

**WASHER LOCK EXT 8x19 BLK**  
(4 PLCS)

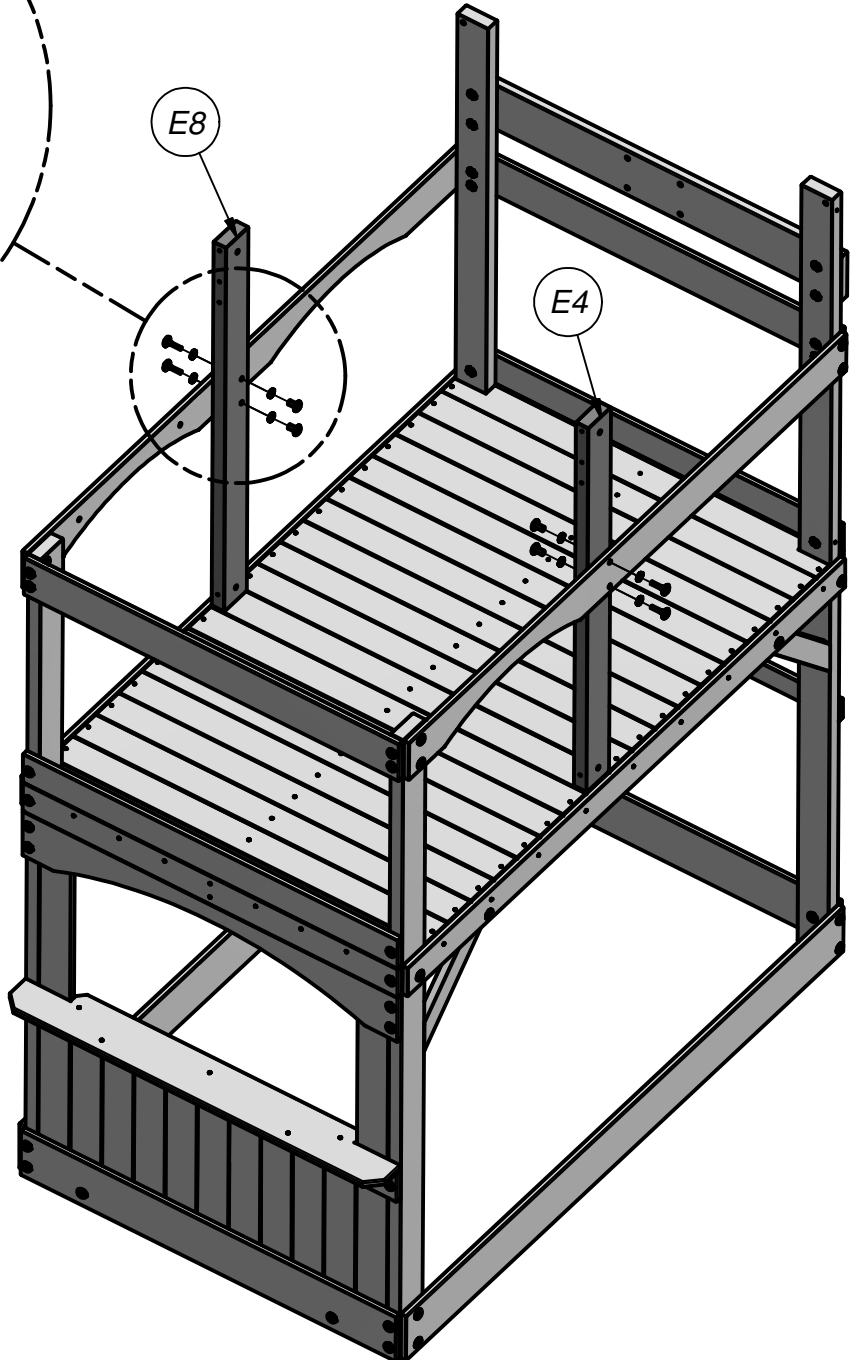


**WASHER LOCK EXT 12x19 BLK**  
(4 PLCS)

**NUT BARREL WH 5/16x7/8 BLK**  
(4 PLCS)

E8

E4

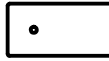




(1) M11 - FLOOR SUPPORT - W4L06850  
5/8"x3 3/8"x37 1/2" (16x86x951)



(2) M15 - WALL RAIL - W4L06856  
5/8"x3 3/8"x8 1/2" (16x86x216)



(1) M17 - WALL RAIL - W4L06859  
5/8"x3 3/8"x6 3/4" (16x86x173)



(1) M18 - WALL RAIL - W4L06860  
5/8"x3 3/8"x4 3/4" (16x86x122)

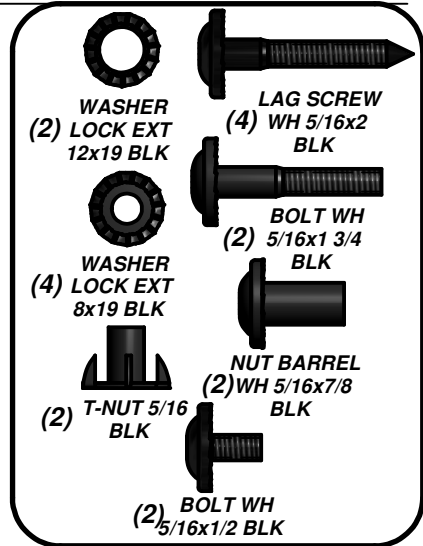
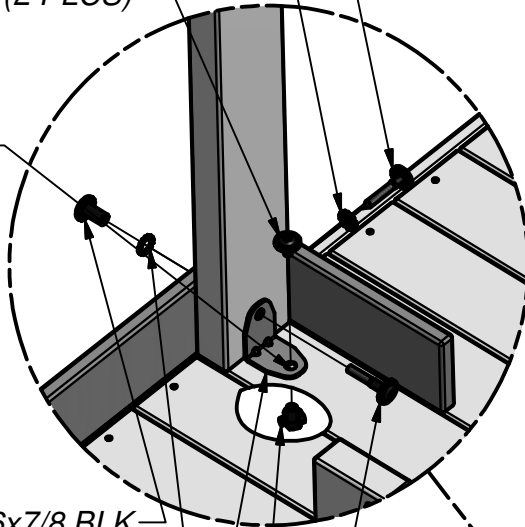
### STEP 11

WASHER LOCK EXT 8x19 BLK  
(2 PLCS)

BOLT WH 5/16x1/2 BLK  
(2 PLCS)

LAG SCREW WH 5/16x2 BLK  
(2 PLCS)

NOTE:  
PREDRILL 3/8" (10mm)  
HOLES THROUGH  
FLOOR BOARDS.



NUT BARREL WH 5/16x7/8 BLK  
(2 PLCS)

WASHER LOCK EXT 12x19 BLK  
(2 PLCS)

L BRACKET 2.5x38x50x55  
(2 PLCS)

T-NUT 5/16 BLK  
(2 PLCS)

BOLT WH 5/16x1 3/4 BLK  
(2 PLCS)

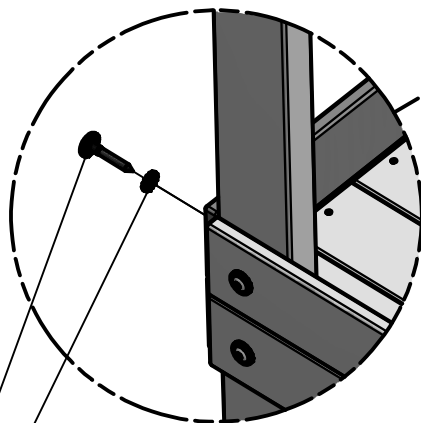
M11

M15

M15

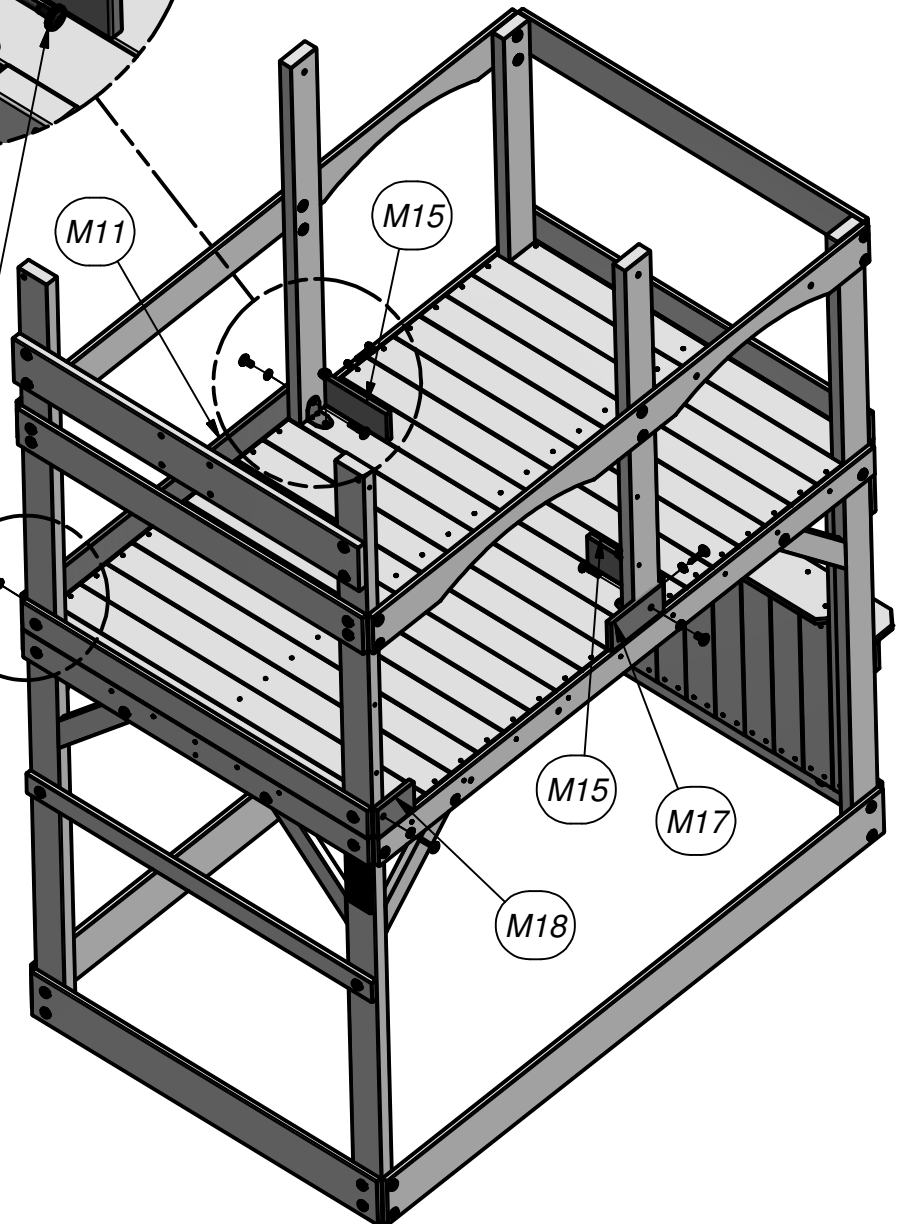
M17

M18



WASHER LOCK EXT 8x19 BLK  
(2 PLCS)

LAG SCREW WH 5/16x2 BLK  
(2 PLCS)

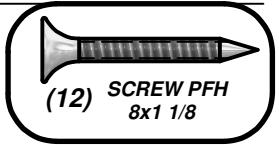




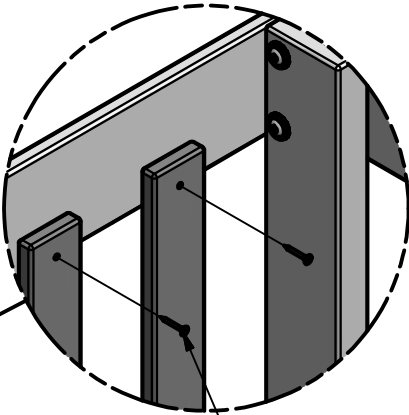


(6) N2 - PICKET - W4L06844  
5/8"x2 3/8"x22" (16x60x558)

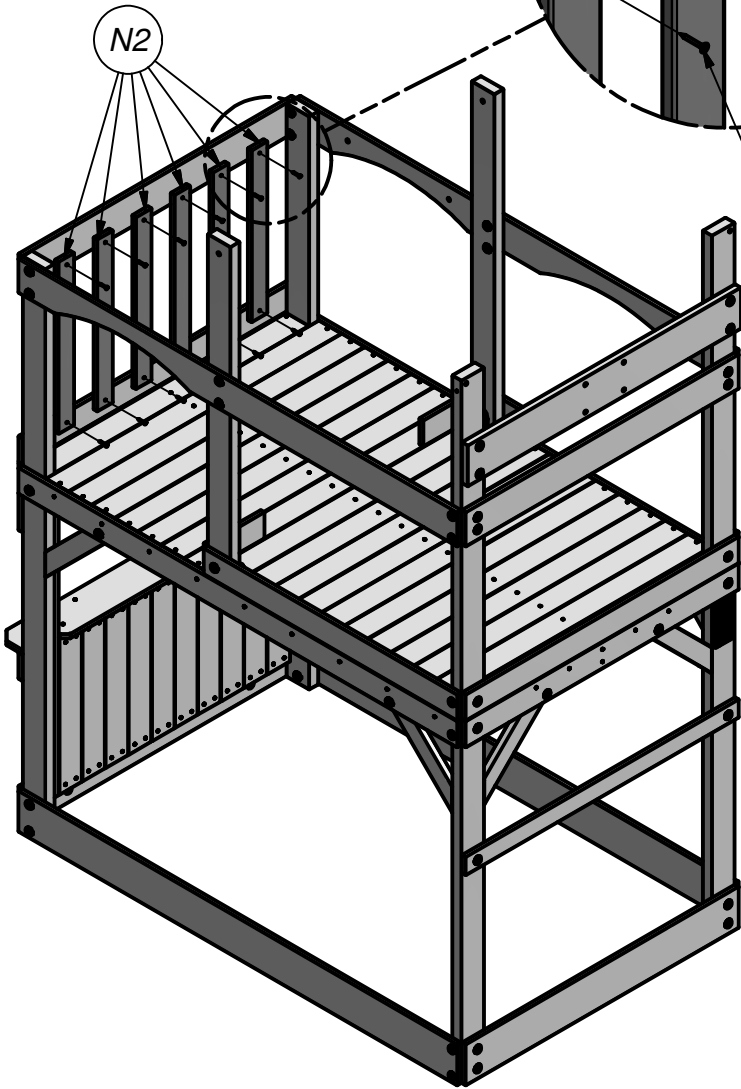
STEP 12



(12) SCREW PFH  
8x1 1/8

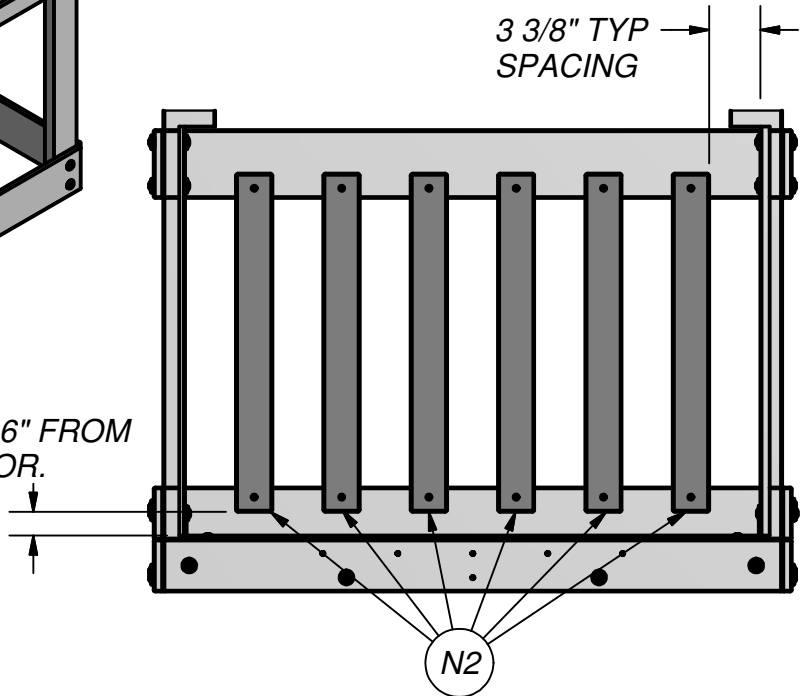


SCREW PFH 8x1 1/8  
(12 PLCS)



3 3/8" TYP  
SPACING

1 9/16" FROM  
FLOOR.



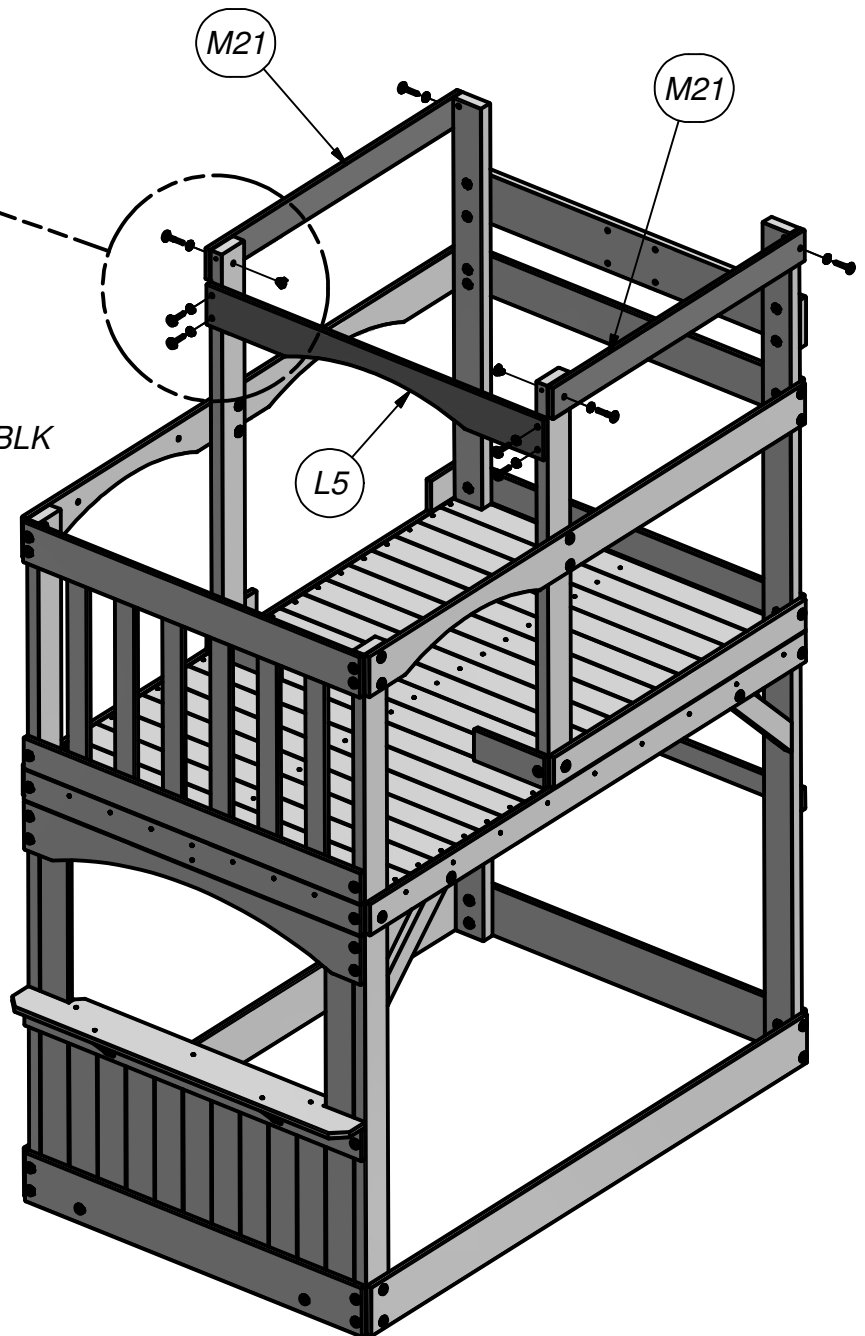
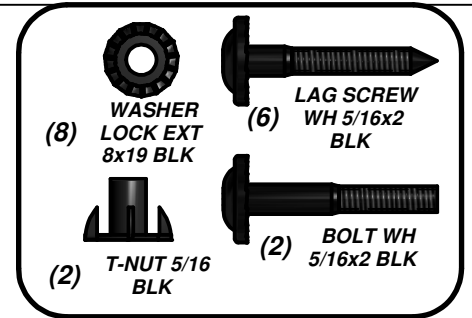
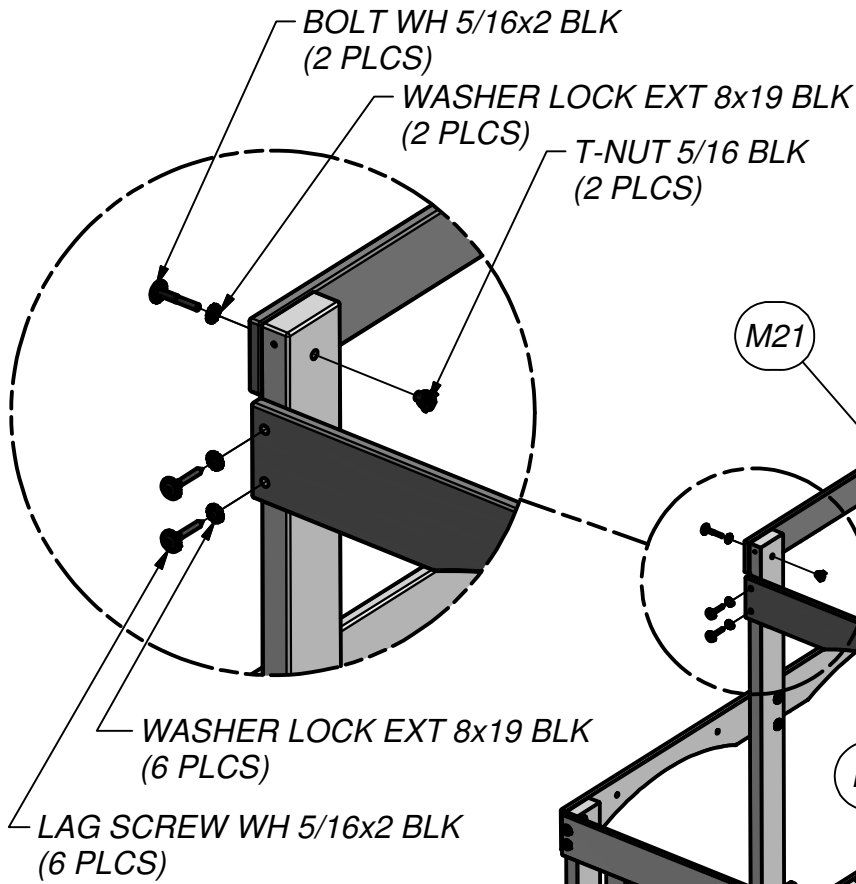


(1) L5 - CLUB HOUSE WALL RAIL - W4L06857  
5/8"x4 3/8"x40 3/8" (16x112x1024)



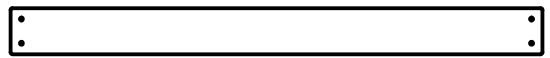
(2) M21 - WALL RAIL - W4L06863  
5/8"x3 3/8"x37 1/2" (16x86x951)

**STEP 13**





(2) **Y1 - WALL BOARD - W4L06854**  
5/8"x4"x34 5/8" (16x102x880)

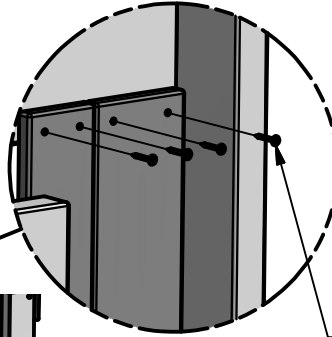
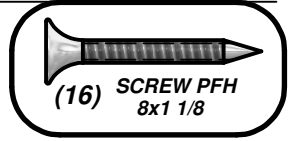


(1) **M14 - WALL BOARD - W4L06855**  
5/8"x3"x34 5/8" (16x76x880)

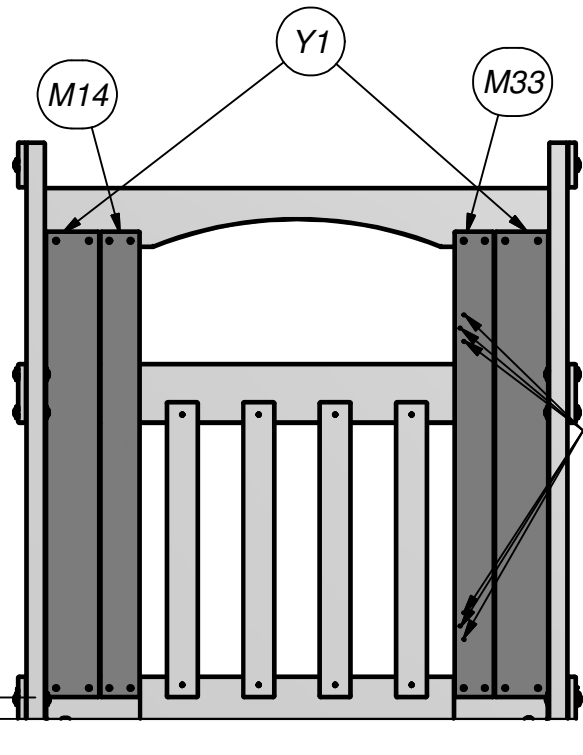
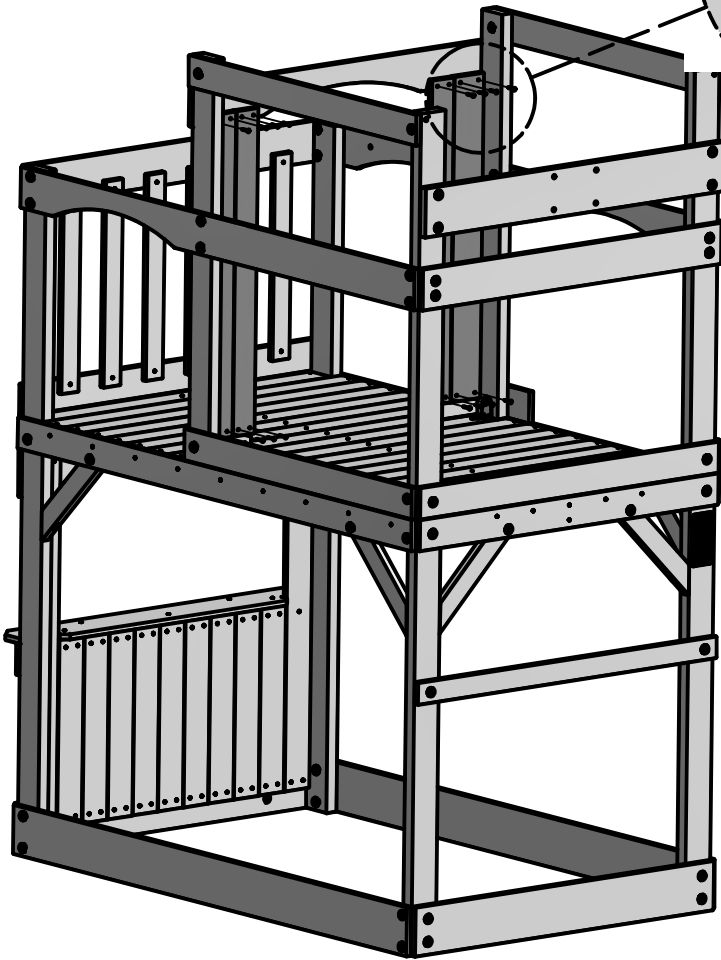


(1) **M33 - WALL BOARD - W4L06976**  
5/8"x3"x34 5/8" (16x76x880)

### STEP 14



SCREW PFH 8x1 1/8  
(16 PLCS)



1 13/19" FROM FLOOR.



(2) M19 - WALL BOARD - W4L06861  
5/8"x3 3/8"x40 5/8" (16x86x1032)



(2) M20 - WALL BOARD - W4L06862  
5/8"x3 3/8"x16 1/4" (16x86x412)

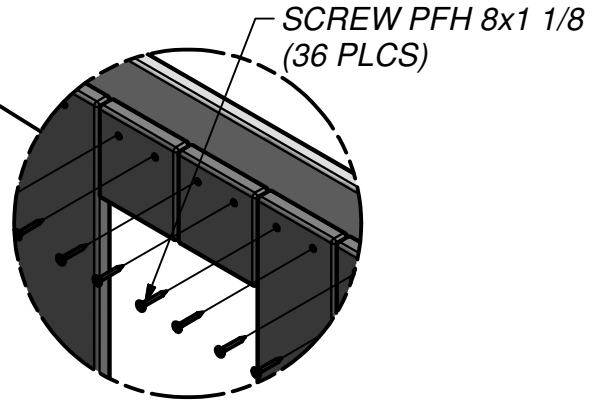
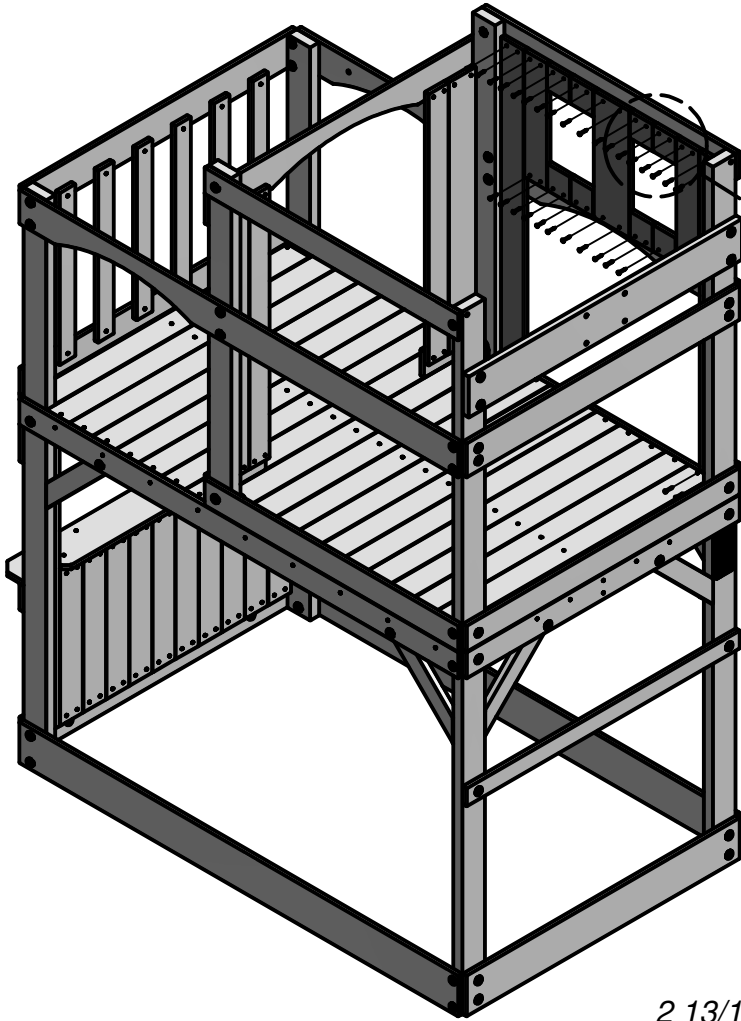
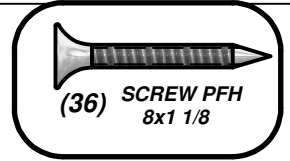


(8) M26 - WALL BOARD - W4L06875  
5/8"x3 3/8"x3 1/2" (16x86x88)



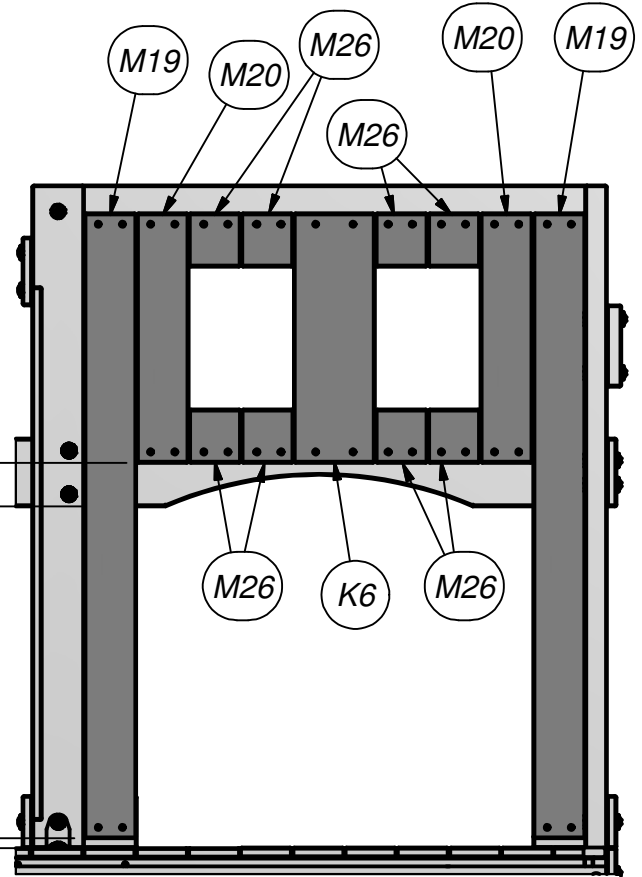
(1) K6 - WALL BOARD - W4L06876  
5/8"x5 1/4"x16 1/4" (16x134x412)

### STEP 15



2 13/16"  
TYPICAL

5/8" FROM  
FLOOR.



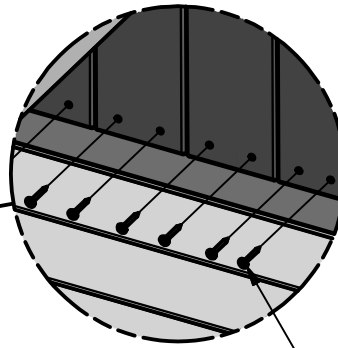
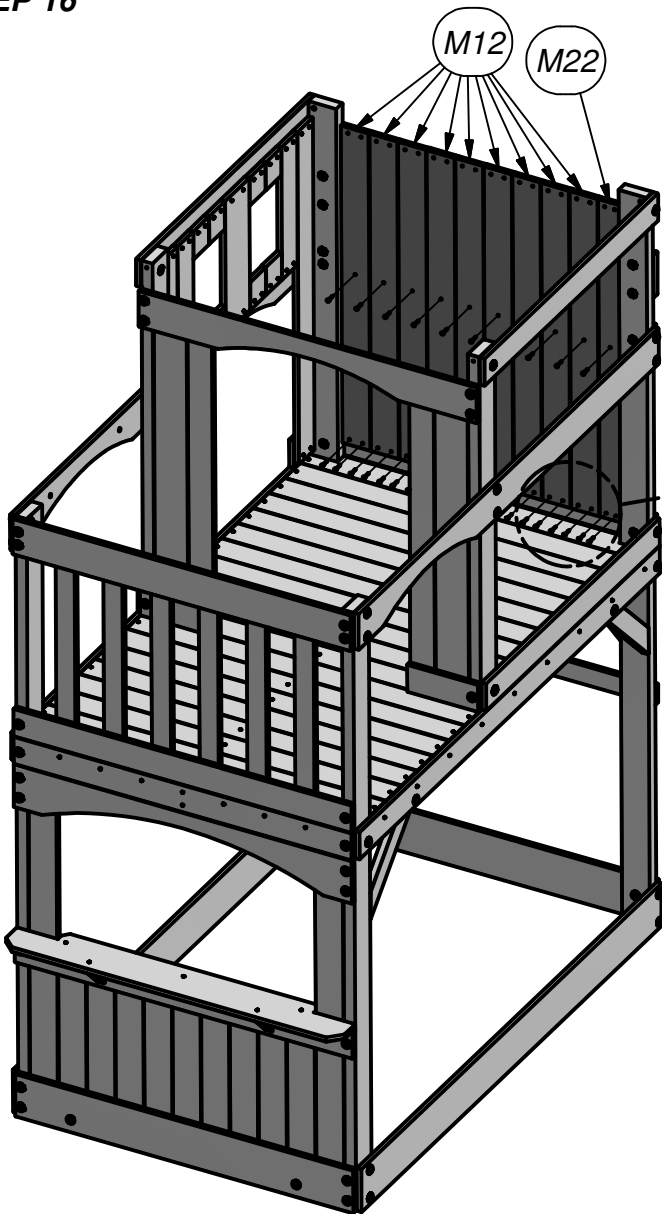
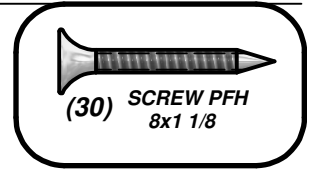


(9) M12 - WALL BOARD - W4L06851  
5/8"x3 3/8"x38 7/8" (16x86x986)

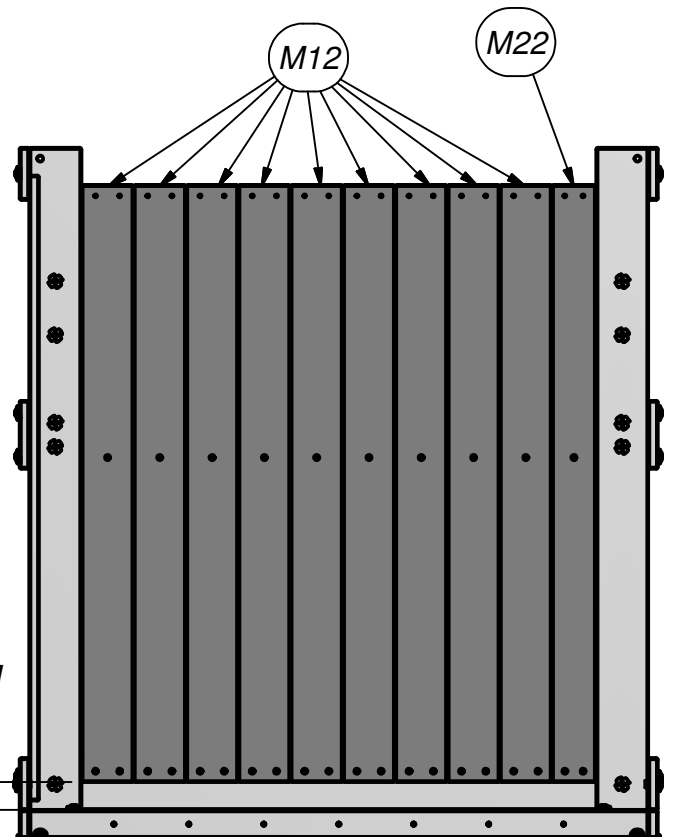


(1) M22 - WALL BOARD - W4L06864  
5/8"x2 7/8"x38 7/8" (16x73x986)

**STEP 16**



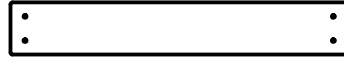
SCREW PFH 8x1 1/8  
(30 PLCS)



1 13/16" FROM  
FLOOR.

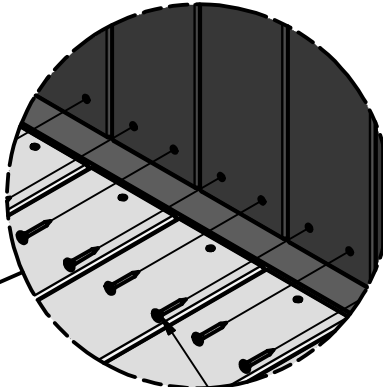
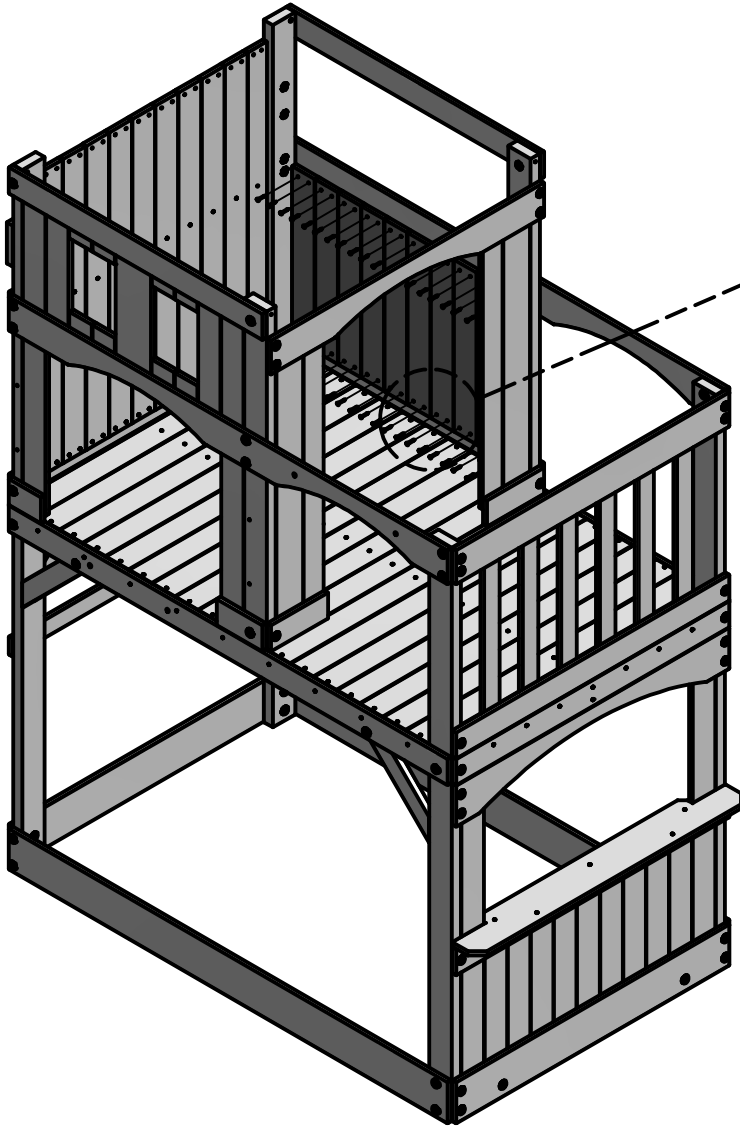
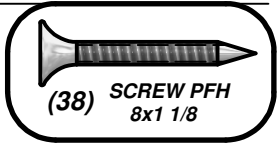


(1) **N3 - WALL BOARD - W4L06865**  
5/8"x2"x22" (16x50x558)

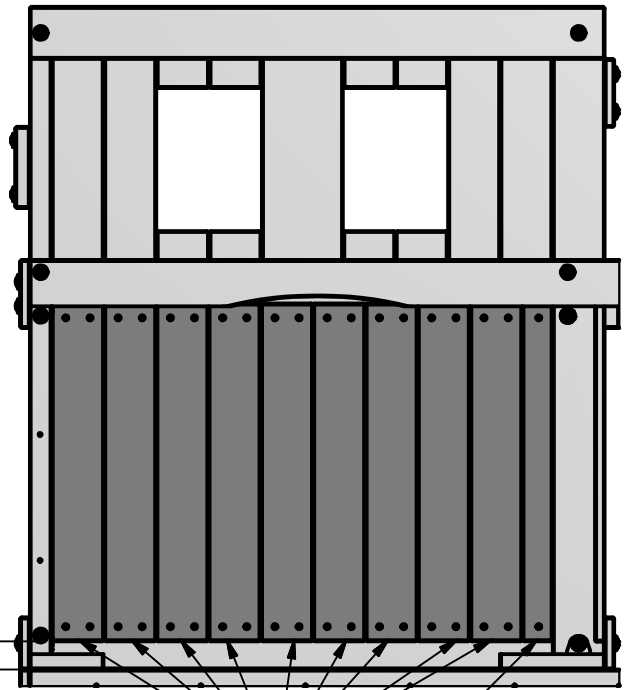


(9) **M13 - WALL BOARD - W4L06852**  
5/8"x3 3/8"x22" (16x86x558)

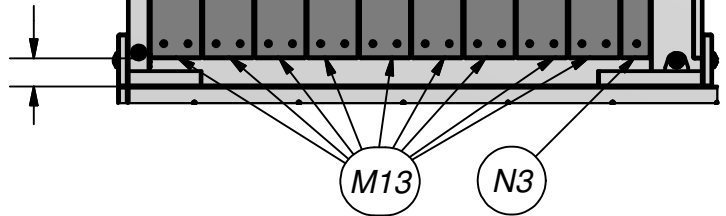
**STEP 17**

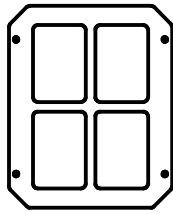


— **SCREW PFH 8x1 1/8**  
(38 PLCS)



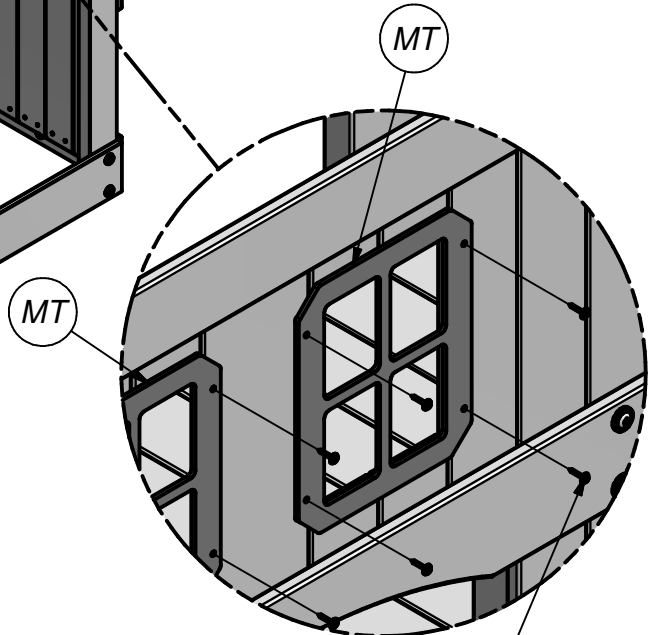
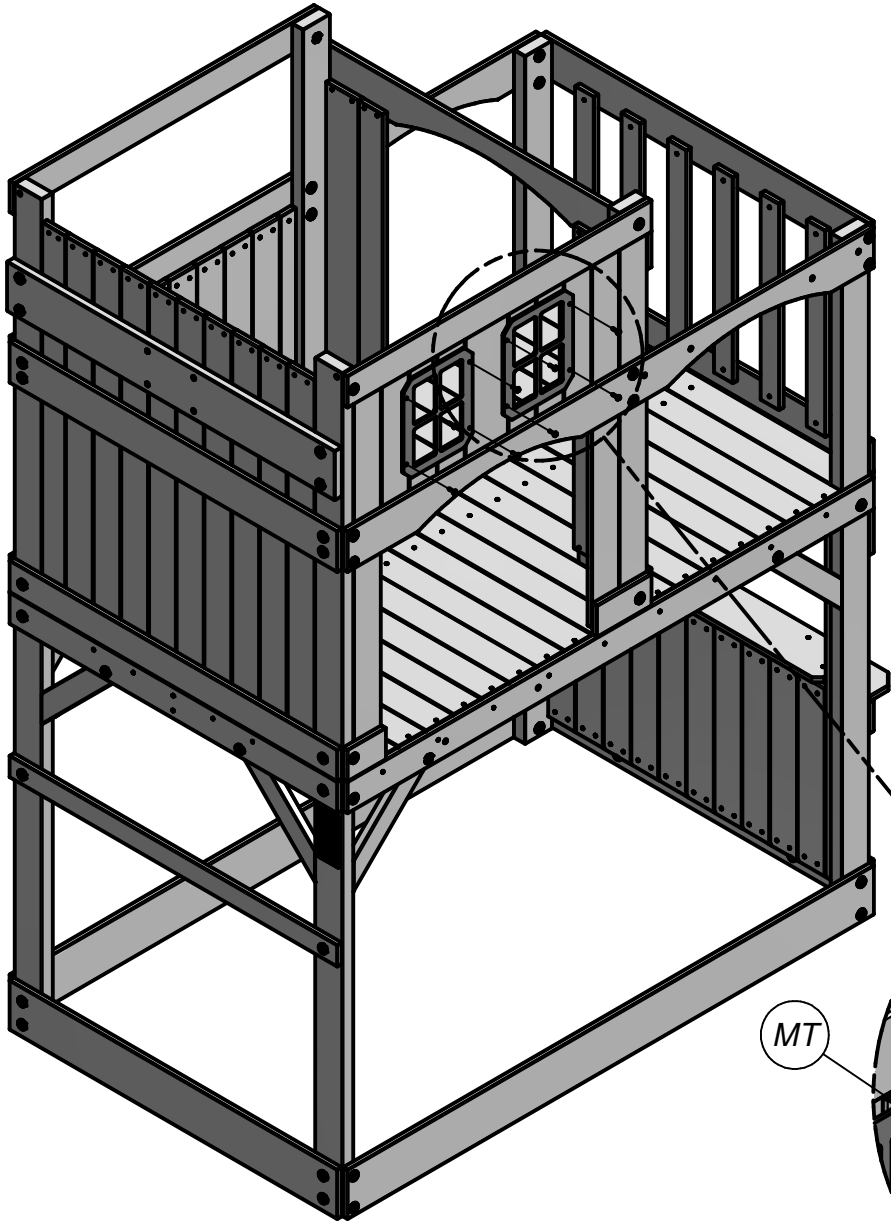
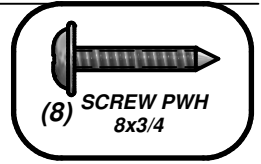
1 13/16" FROM FLOOR.





(2) MT - PLASTIC WINDOW MEDIUM WHITE - A100014

STEP 18

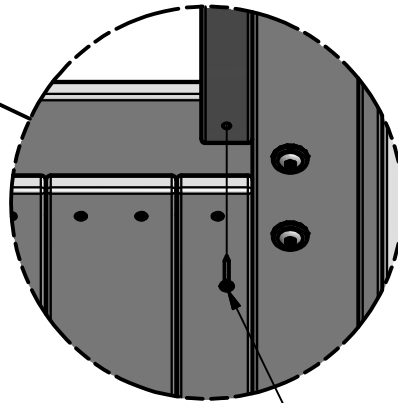
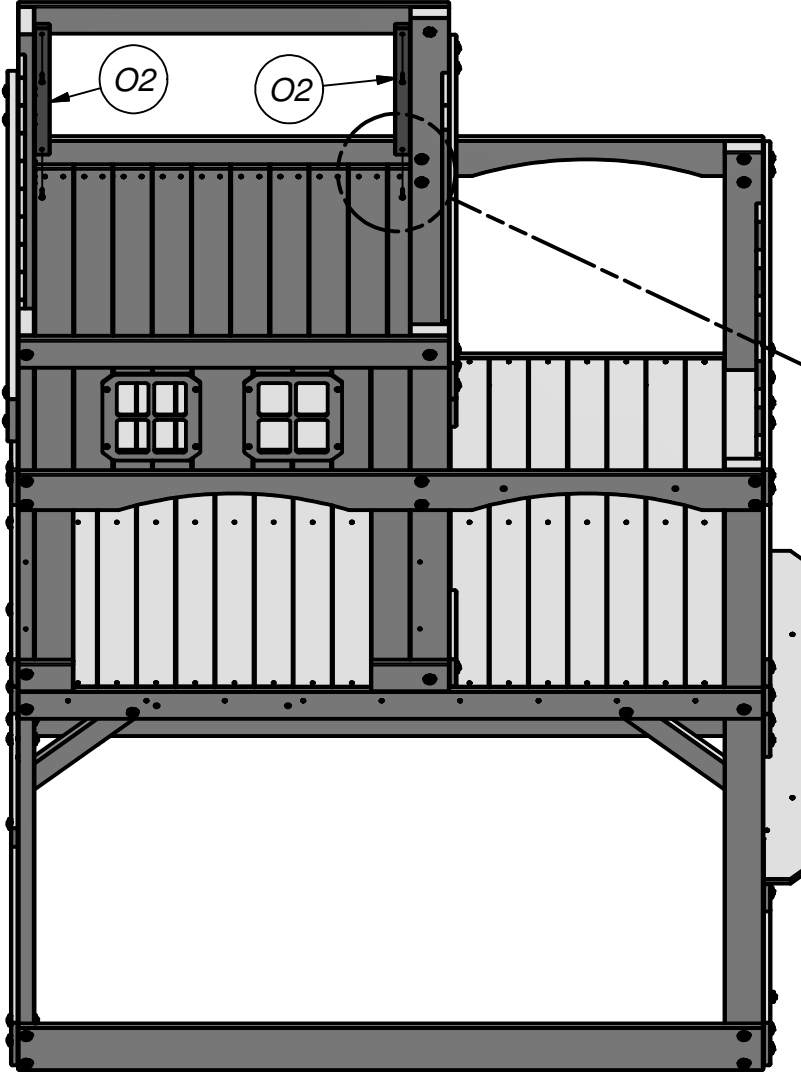
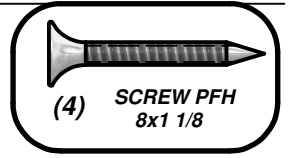


SCREW PWH 8x3/4  
(8 PLCS)

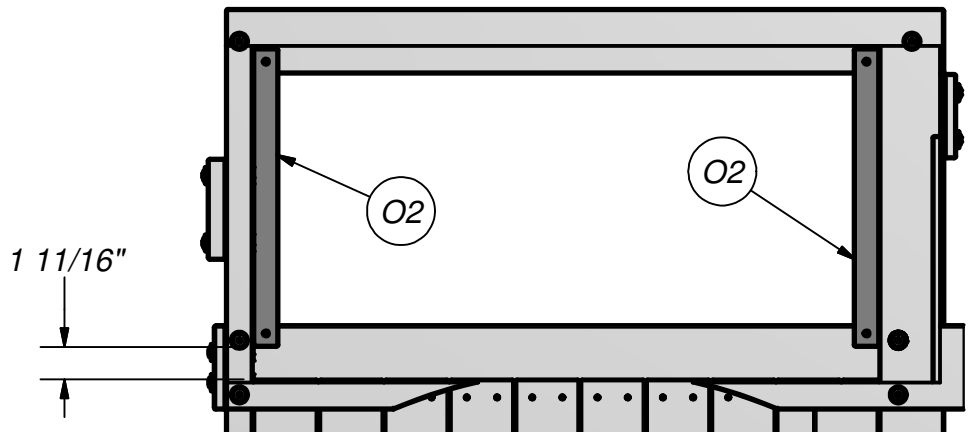


(2) O2 - WALL BOARD - W4L06877  
5/8"x1 3/8"x15 1/2" (16x34x395)

**STEP 19**

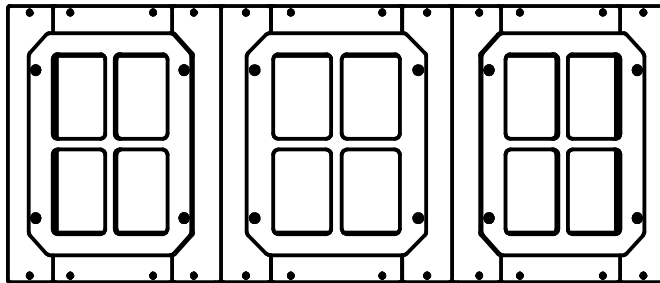


SCREW PFH 8x1 1/8  
(4 PLCS)



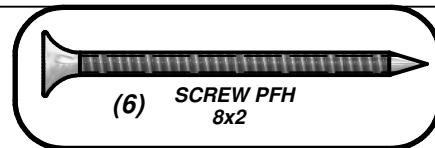
1 11/16"





MONTPELIER BAY WINDOW

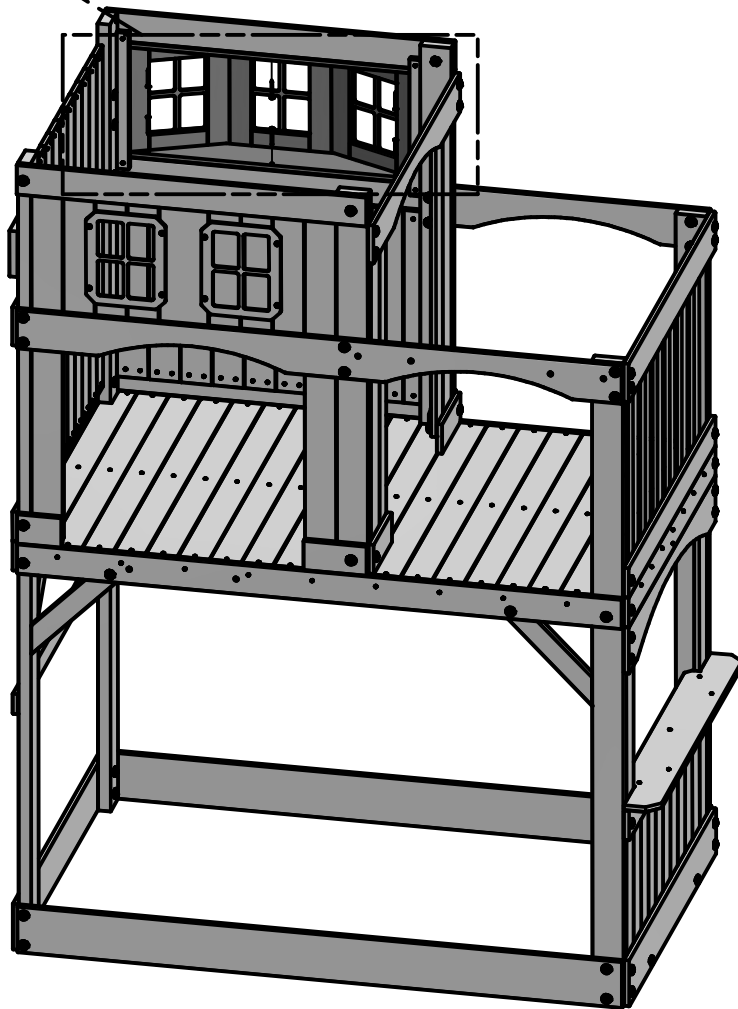
STEP 20

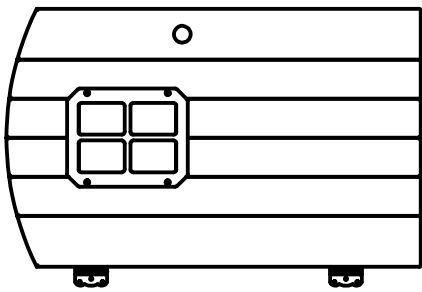


SCREW PFH 8x2  
(6 PLCS)



MONTPELIER BAY WINDOW



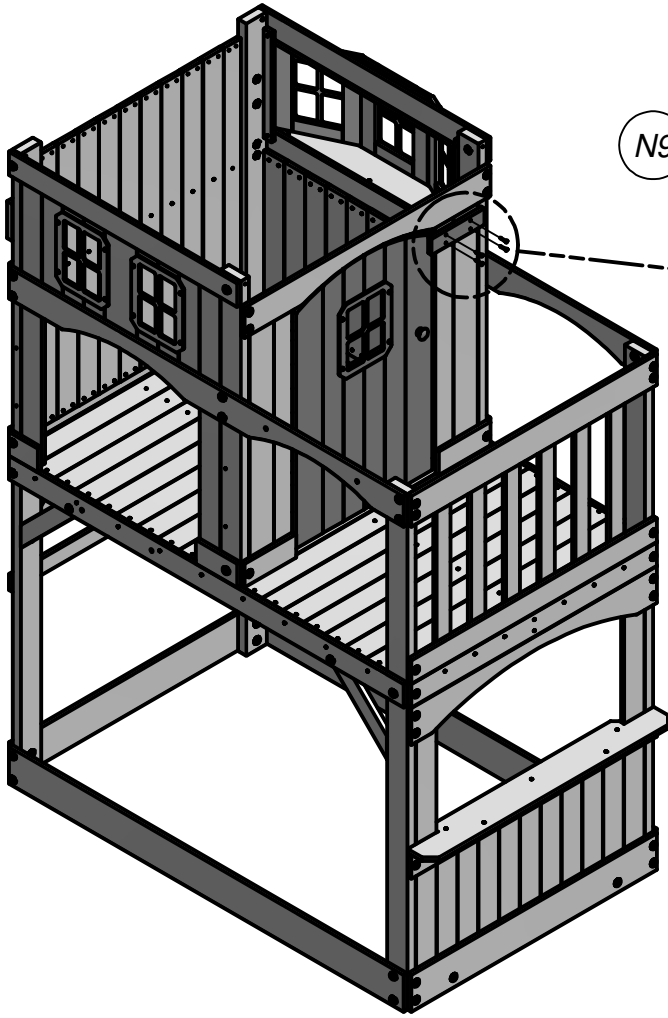


DOOR ASSEMBLY

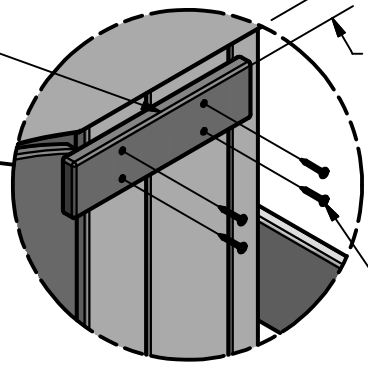


(1) N9 - DOOR STOP - W4L06887  
5/8"x2 3/8"x8 3/4" (16x60x222)

STEP 21

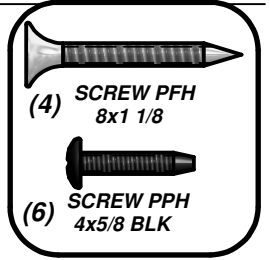


N9

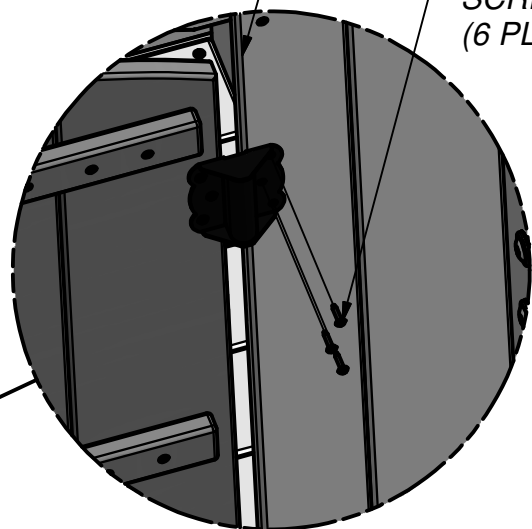


1 3/8" SPACING

SCREW PFH 8x1 1/8  
(4 PLCS)

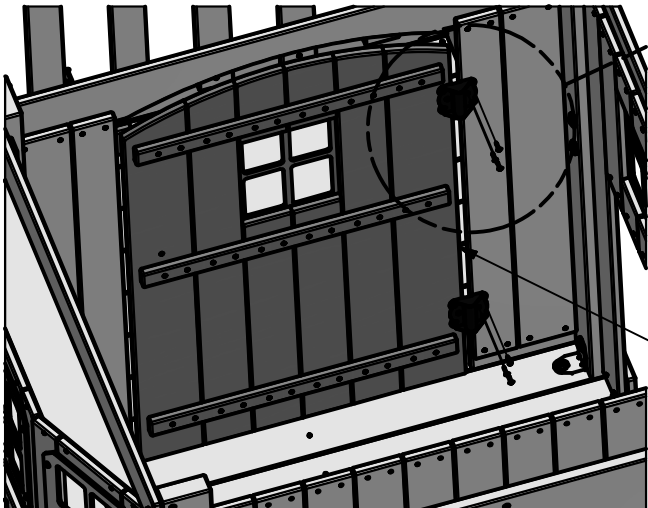


M33

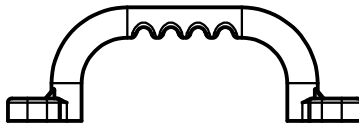


SCREW PPH 4x5/8 BLK  
(6 PLCS)

BACK VIEW



DOOR ASSEMBLY

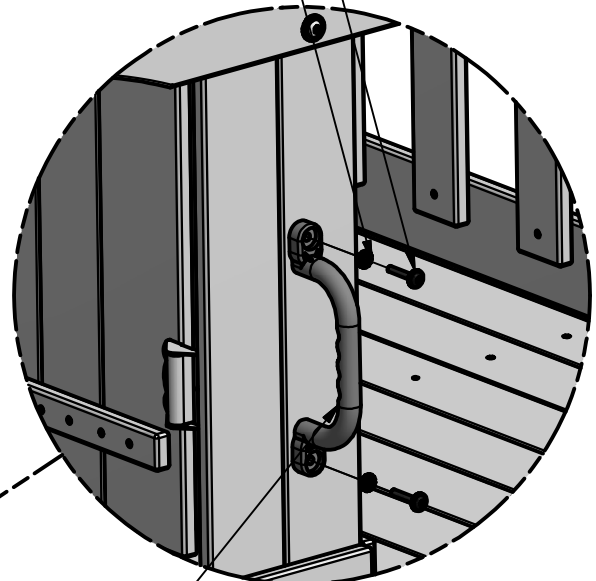
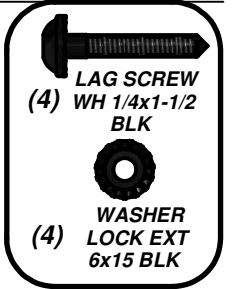


(2) DQ - HAND GRIP GREEN PLASTIC - A100028

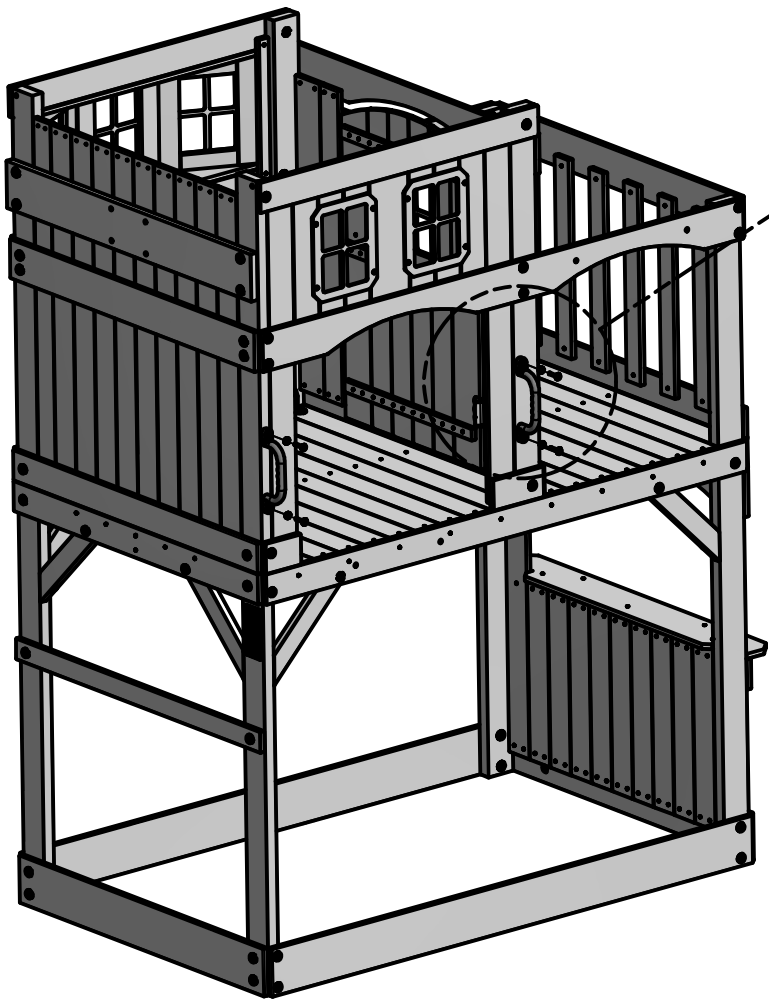
**STEP 22**

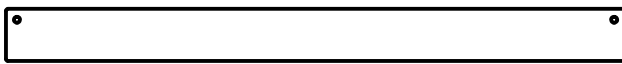
LAG SCREW WH 1/4x1-1/2 BLK  
(4 PLCS)

WASHER LOCK EXT 6x15 BLK  
(4 PLCS)

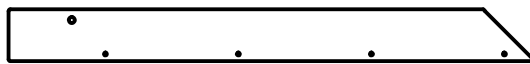


HAND GRIP GREEN PLASTIC  
(2 PLCS)





(2) M16 - WALL RAIL - W4L06858  
5/8"x3 3/8"x40 3/8" (16x86x1024)

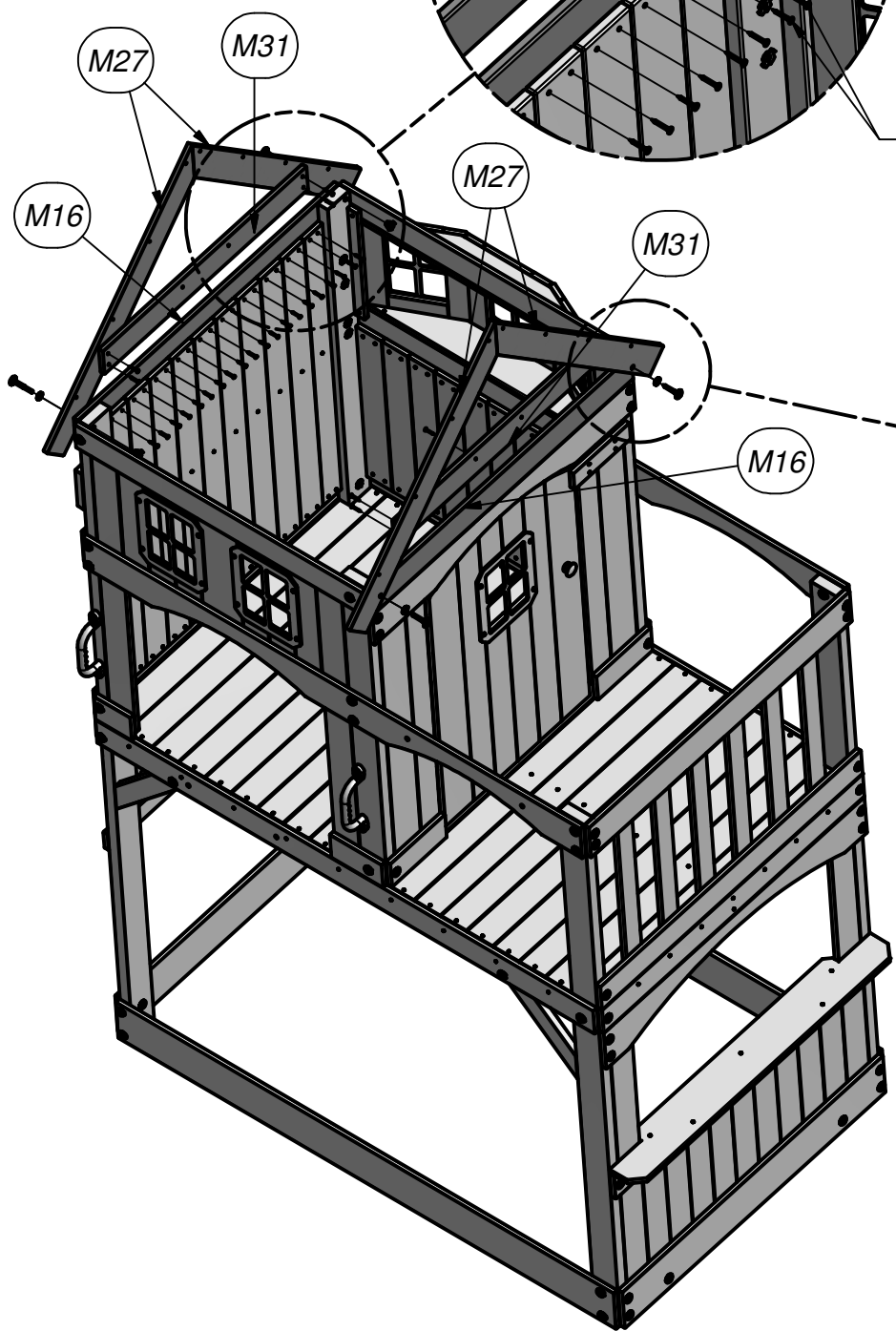
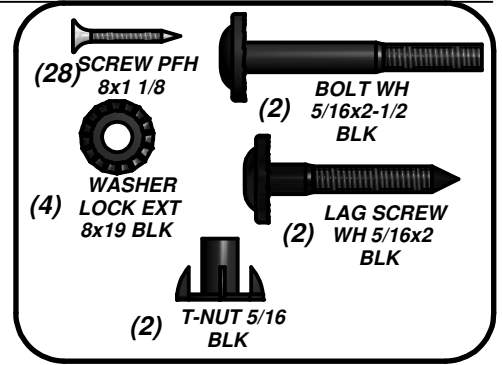
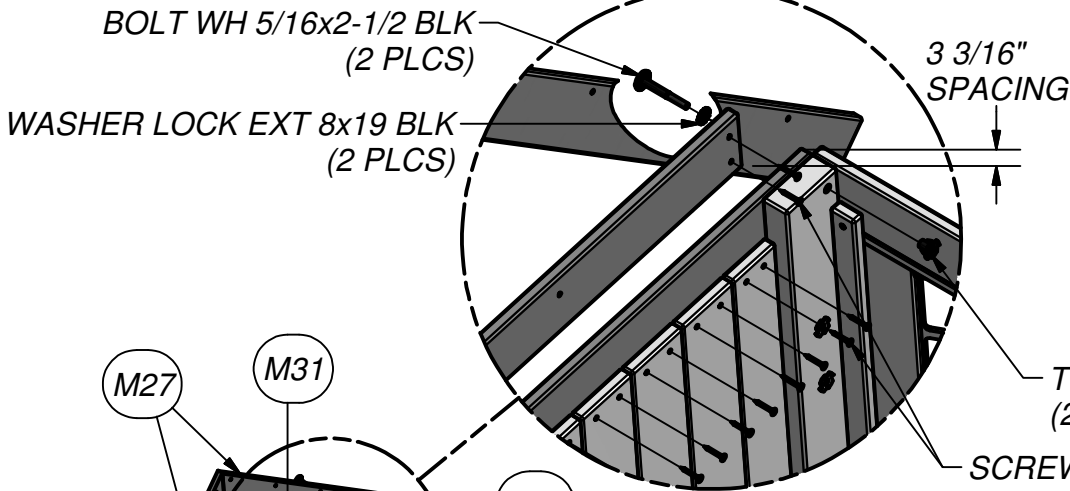


(4) M27 - ROOF RAFTER - W4L06879  
5/8"x3 3/8"x34 1/4" (16x86x871)



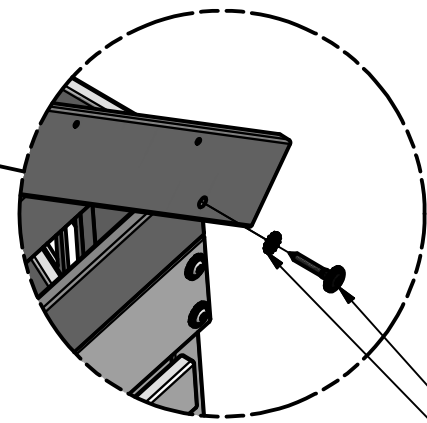
(2) M31 - GABLE BOARD - W4L06880  
5/8"x3 3/8"x31 1/2" (16x86x800)

### STEP 23



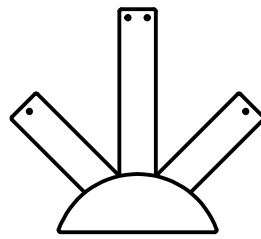
T-NUT 5/16 BLK (2 PLCS)

SCREW PFH 8x1 1/8 (28 PLCS)



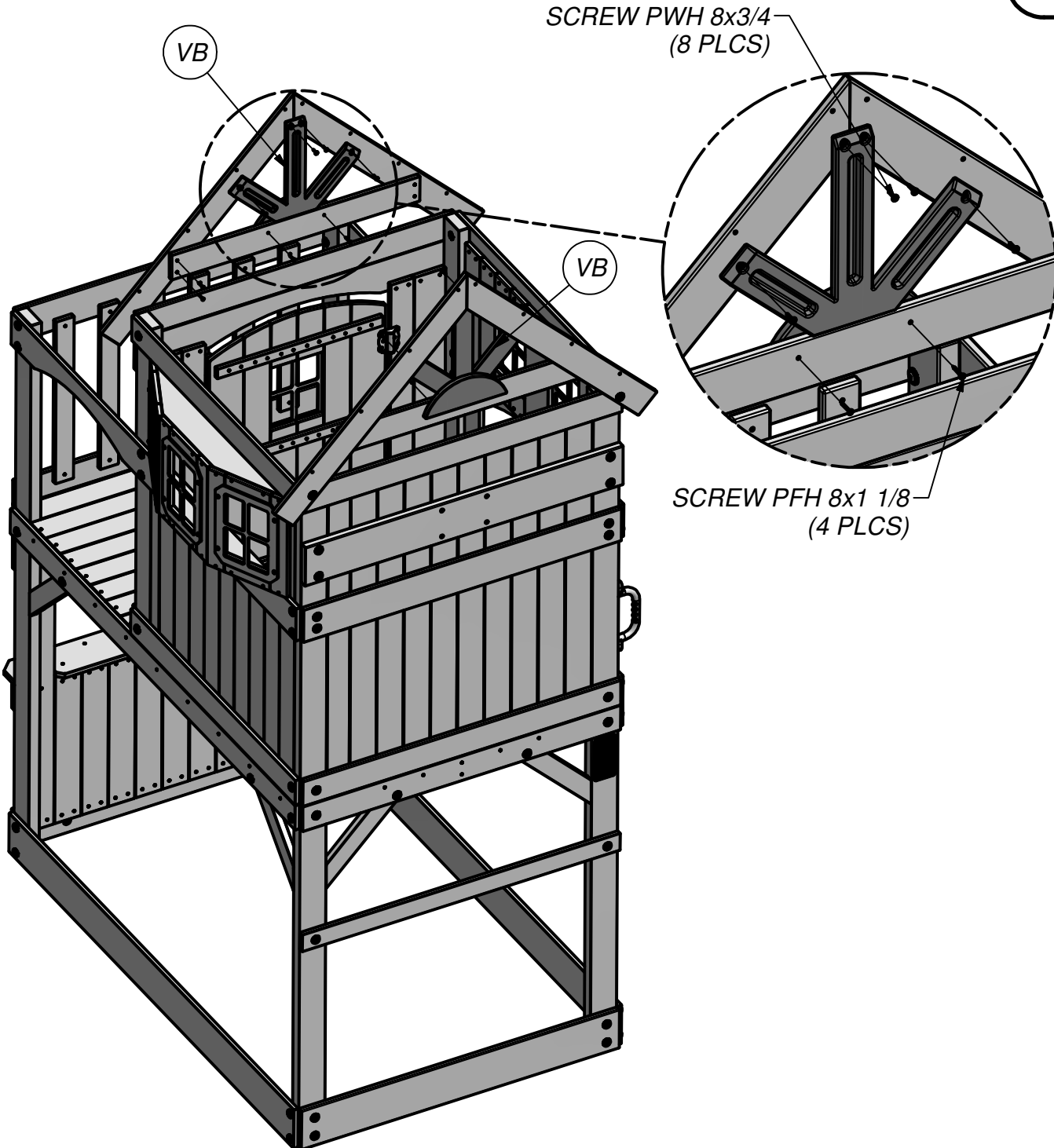
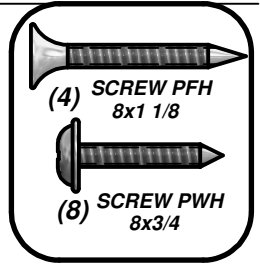
WASHER LOCK EXT 8x19 BLK (2 PLCS)

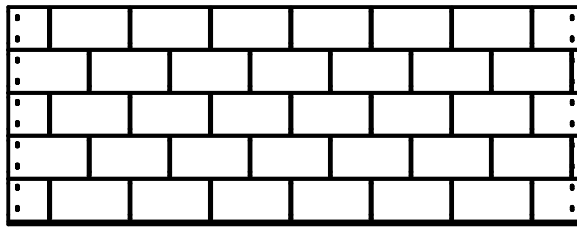
LAG SCREW WH 5/16x2 BLK (2 PLCS)



(2) VB - PLASTIC SUNBURST - A100361

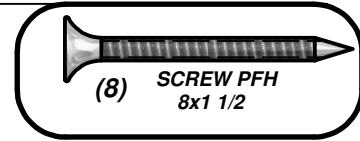
**STEP 24**



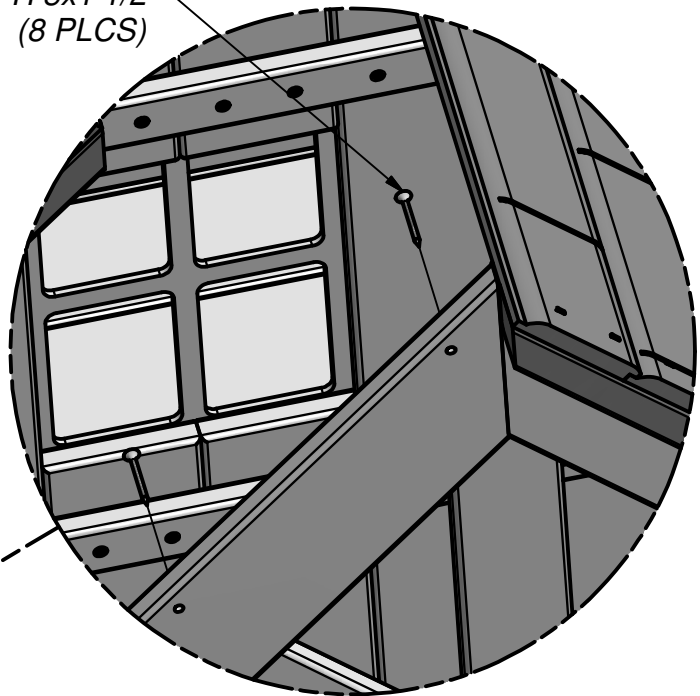
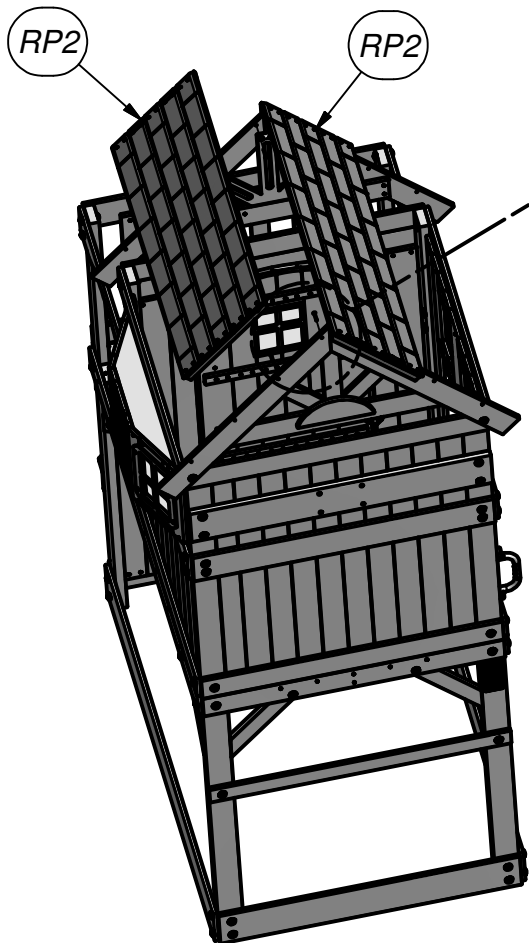


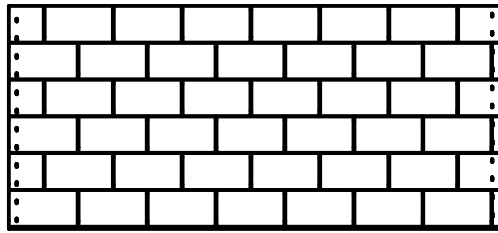
(2) RP2 - ROOF PANEL - W2A01968 -  
1 1/16"x16 1/8"x42 5/8" (35x410x1083)

STEP 25



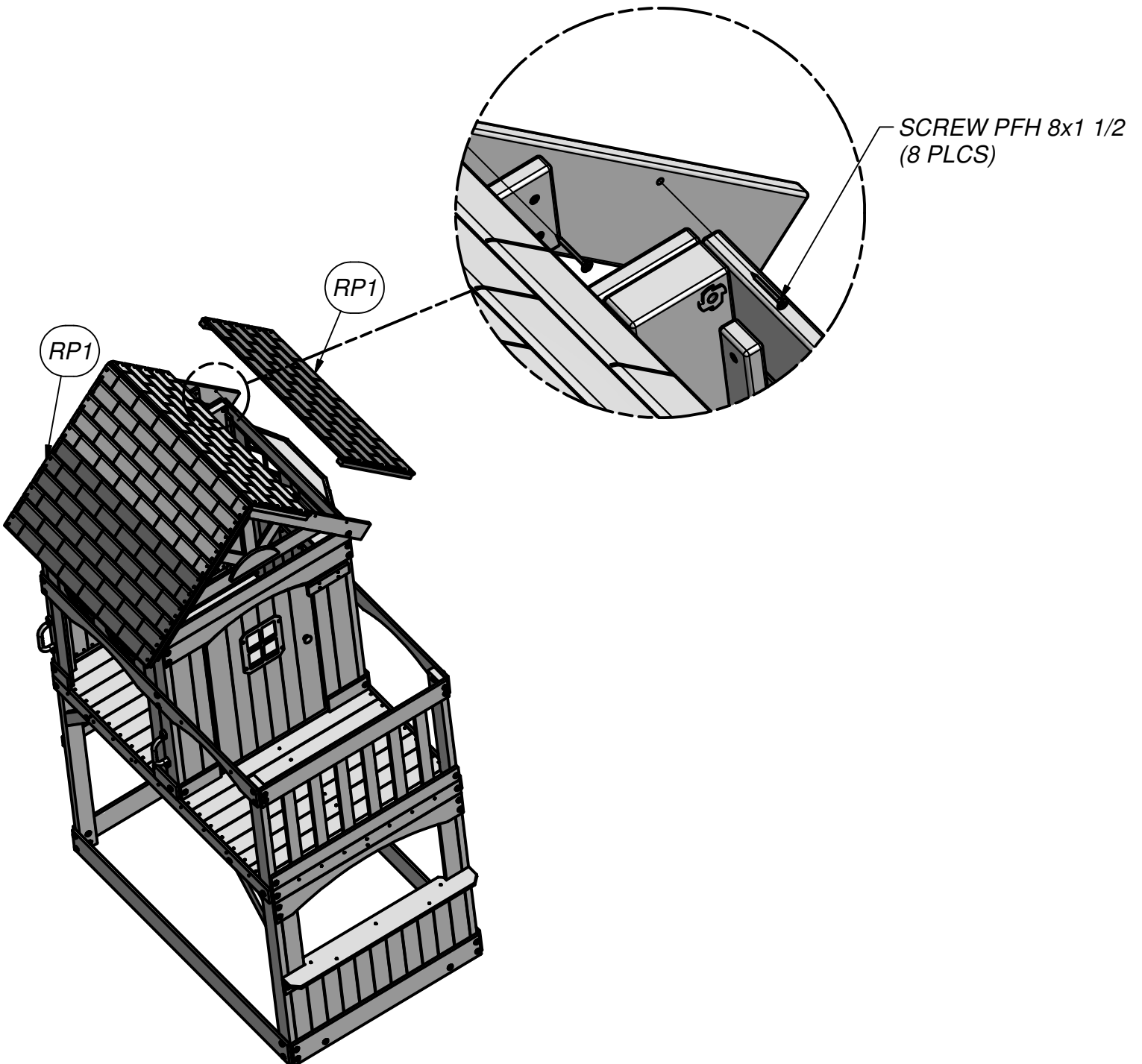
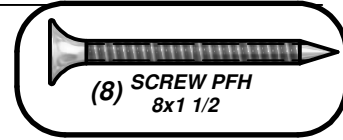
SCREW PFH 8x1 1/2  
(8 PLCS)

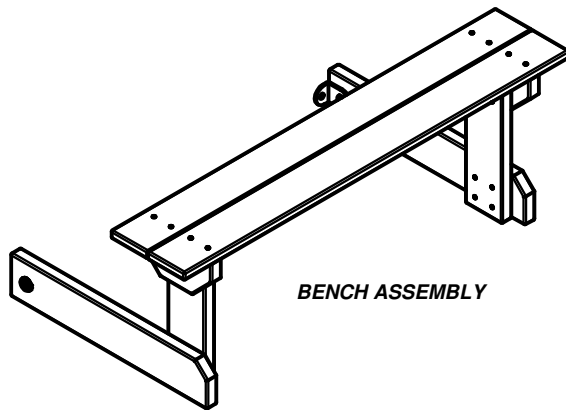




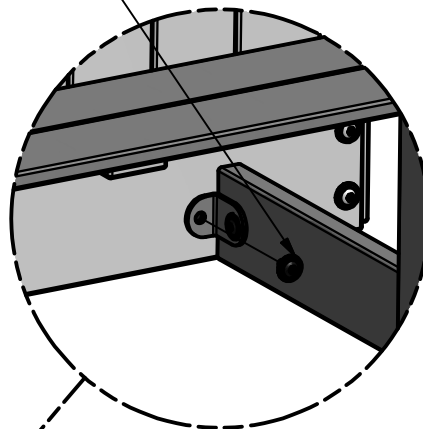
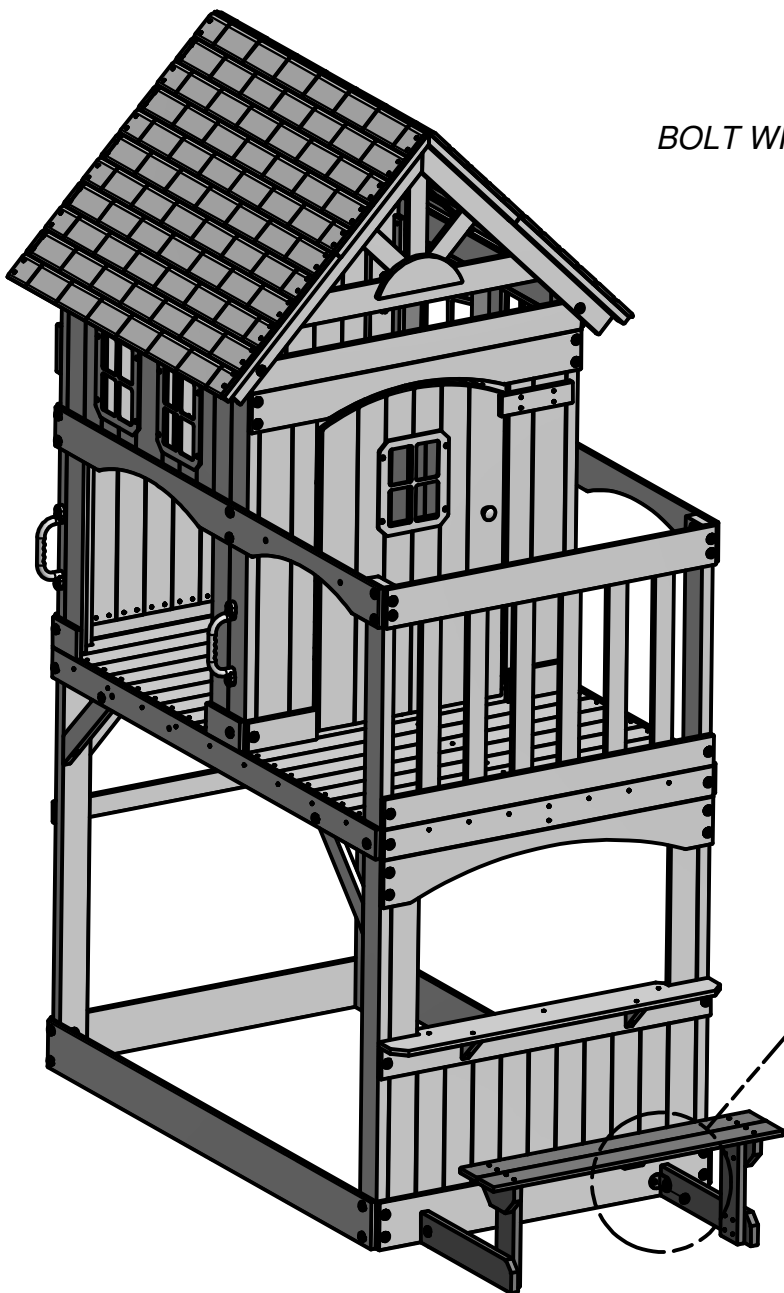
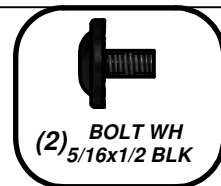
(2) RP1 - ROOF PANEL - W2A01967 -  
1 1/16"x19 5/16"x42 5/8" (35x491x1083)

**STEP 26**

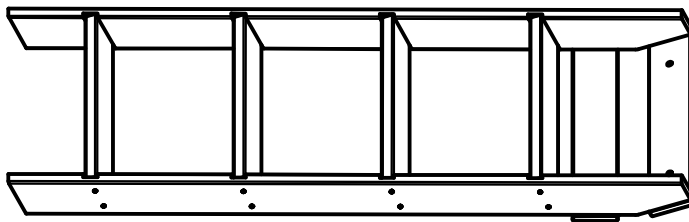




STEP 27

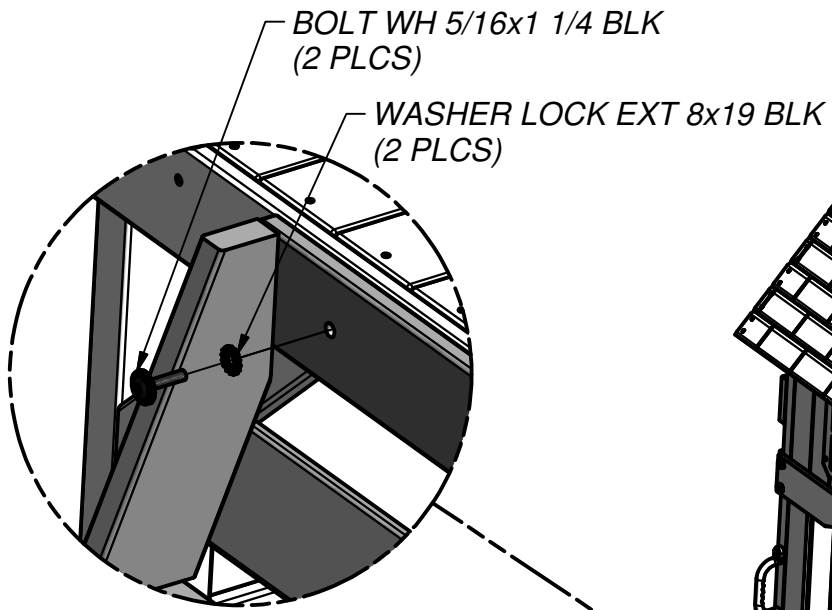
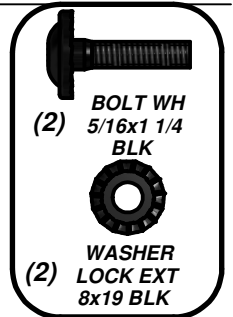




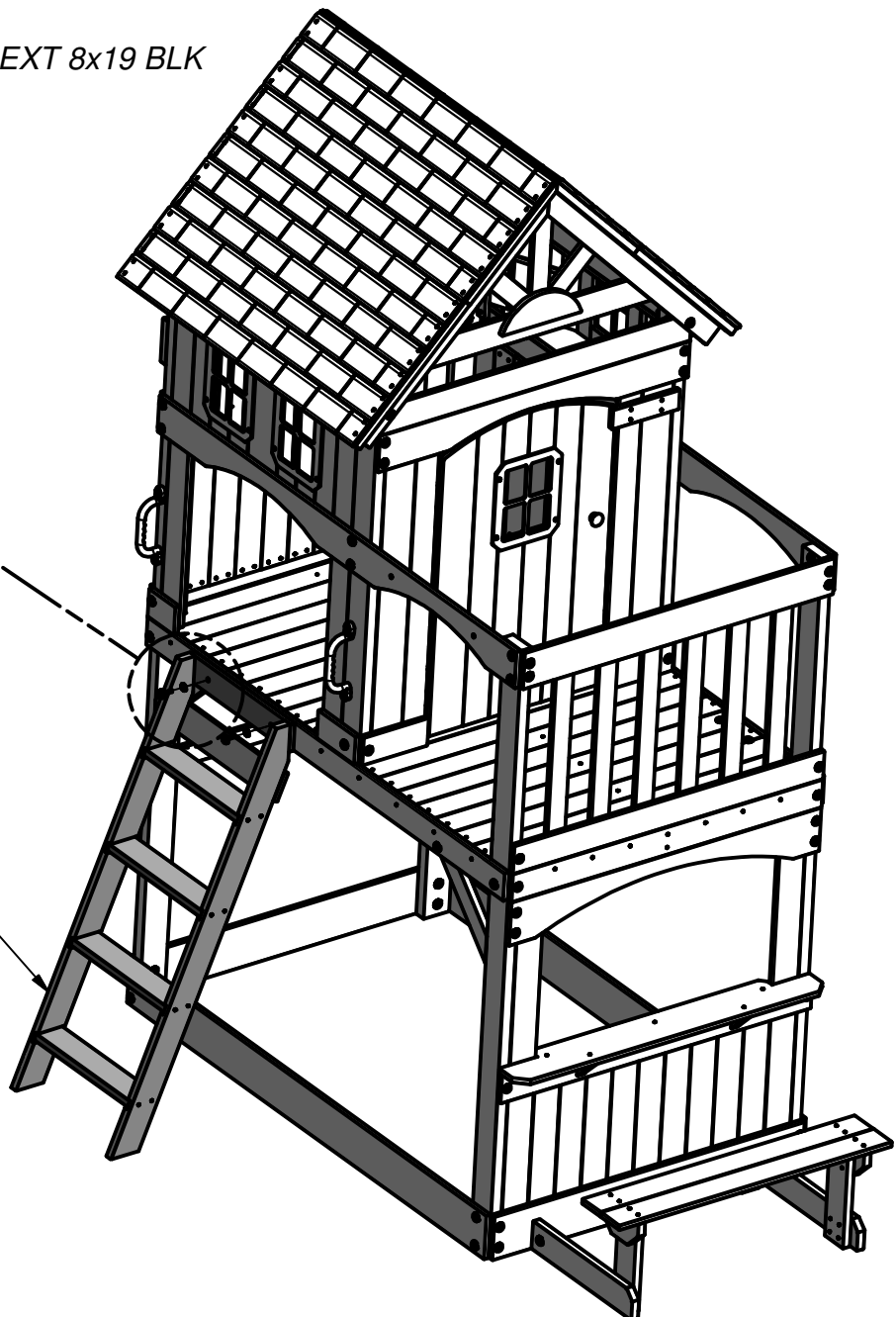


LADDER ASSEMBLY

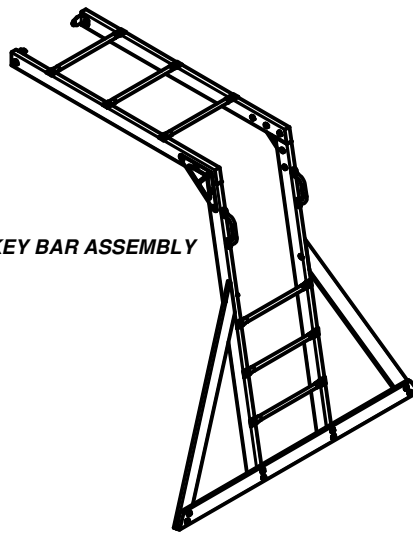
STEP 28



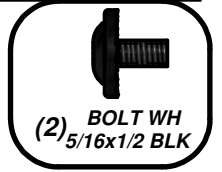
LADDER ASSEMBLY



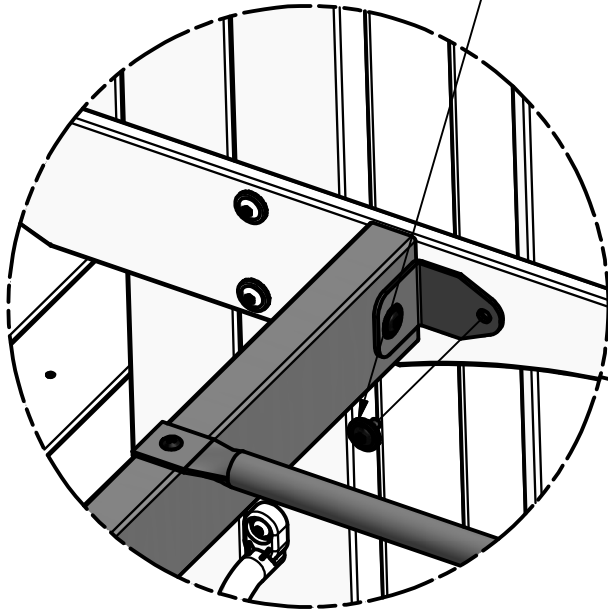
MONKEY BAR ASSEMBLY



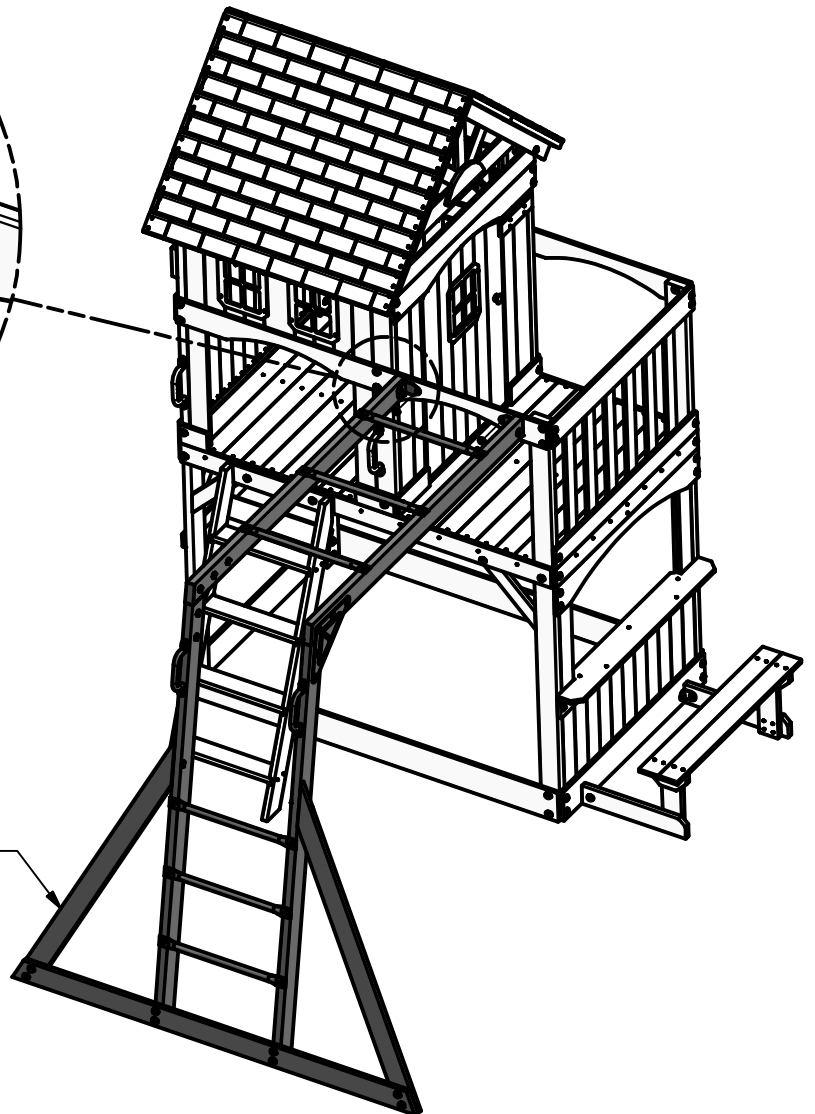
STEP 29

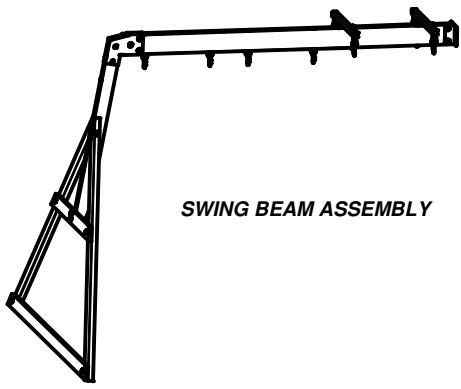


BOLT WH 5/16x1/2 BLK  
(2 PLCS)



MONKEY BAR ASSEMBLY



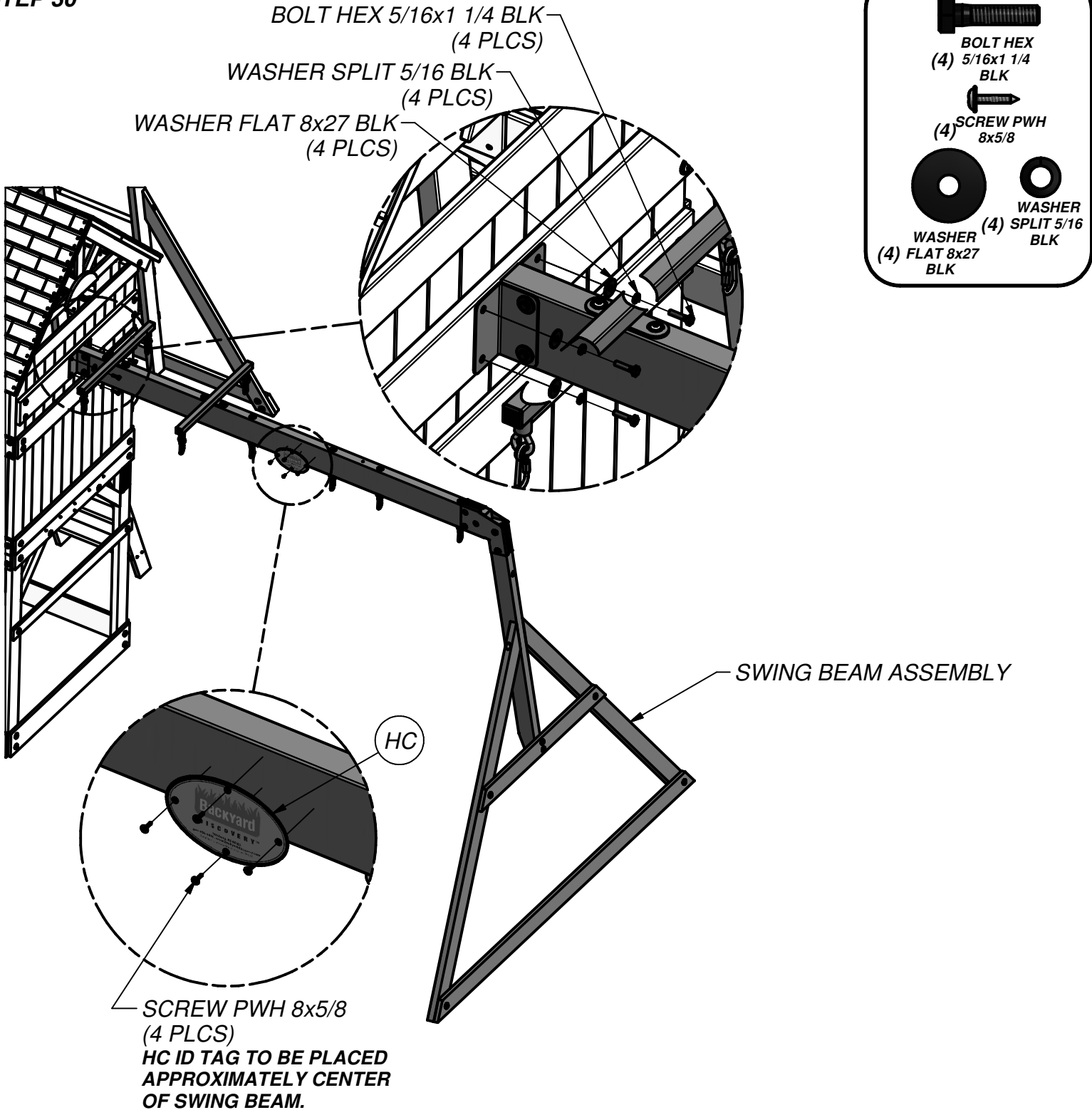


SWING BEAM ASSEMBLY



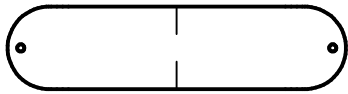
(1) HC - BYD ID TAG (LARGE) 2011 WITH AGES - A100164

**STEP 30**

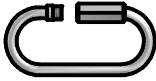




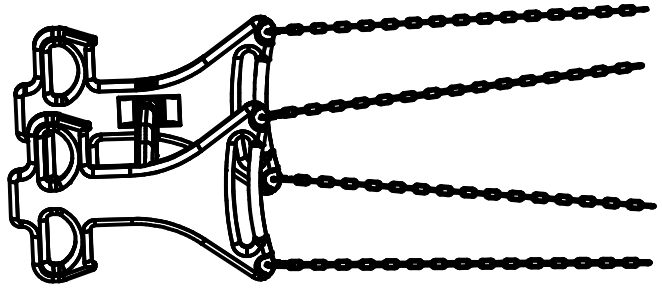
(4) EZ - CHAIN GREEN 51.25" - A100068



(2) - SWING SEAT GREEN - A6P00054

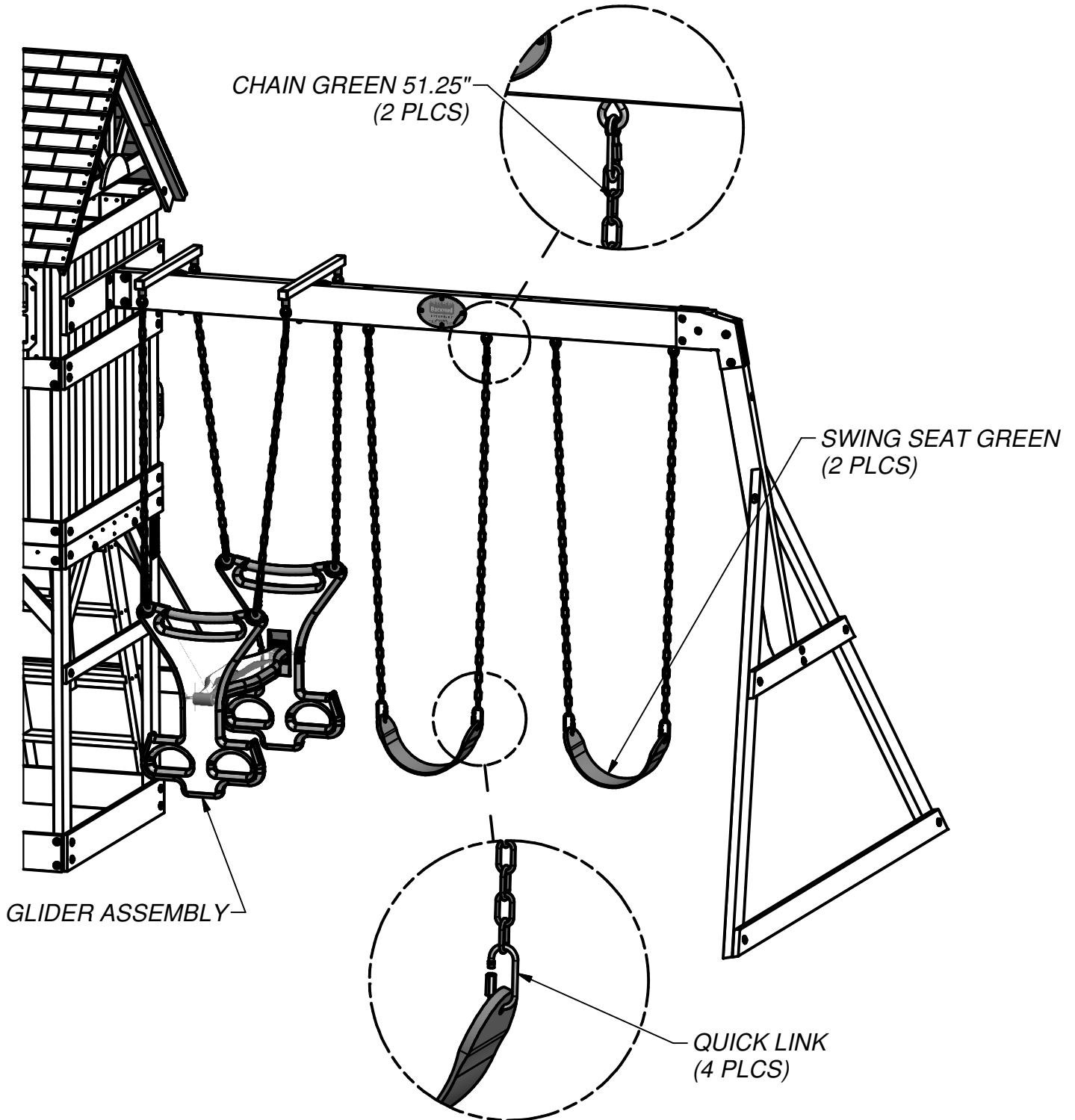


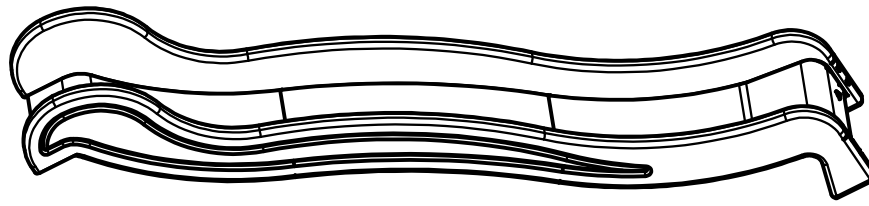
(4) FA - QUICK LINK - A100069



GLIDER ASSEMBLY

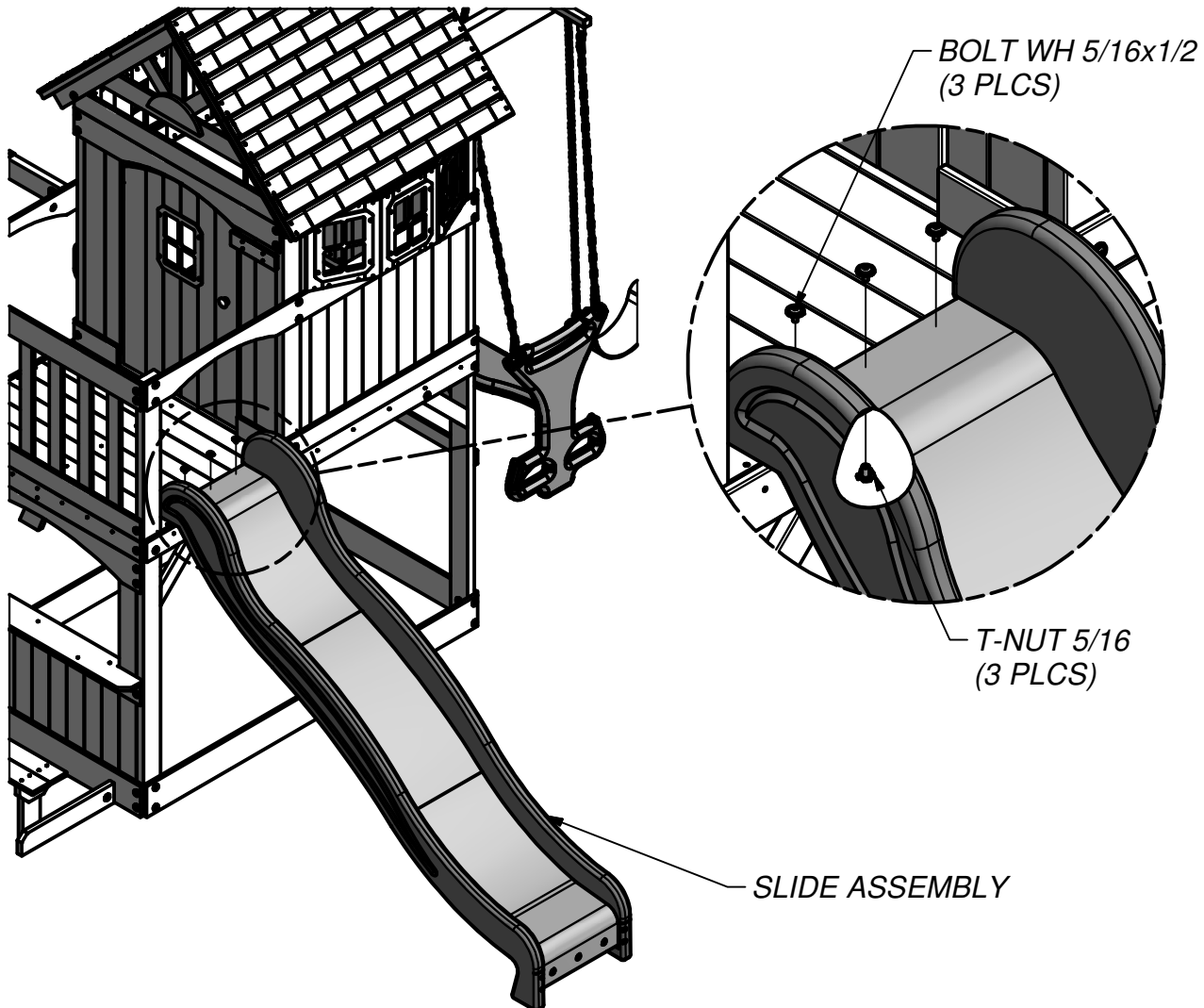
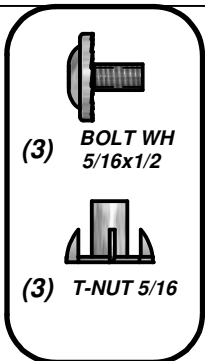
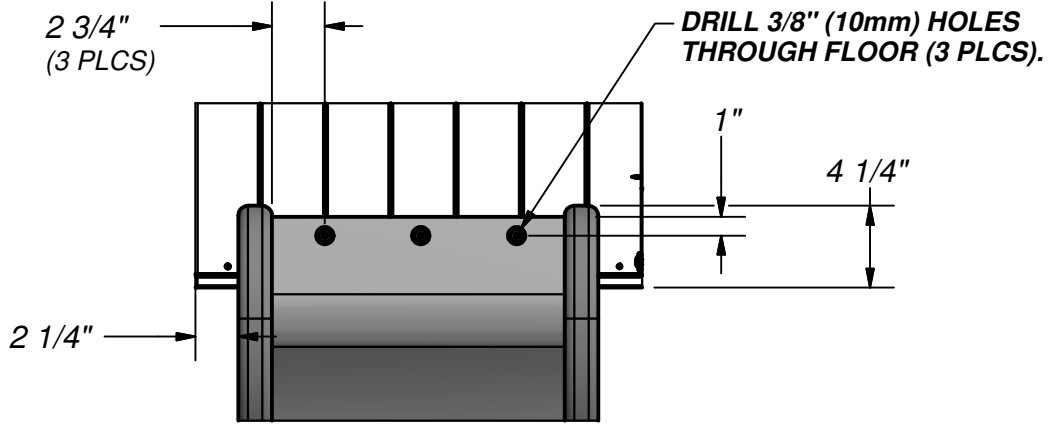
**STEP 31**





SLIDE ASSEMBLY

STEP 32





(8) - GROUND STAKE REBAR - A4M00527

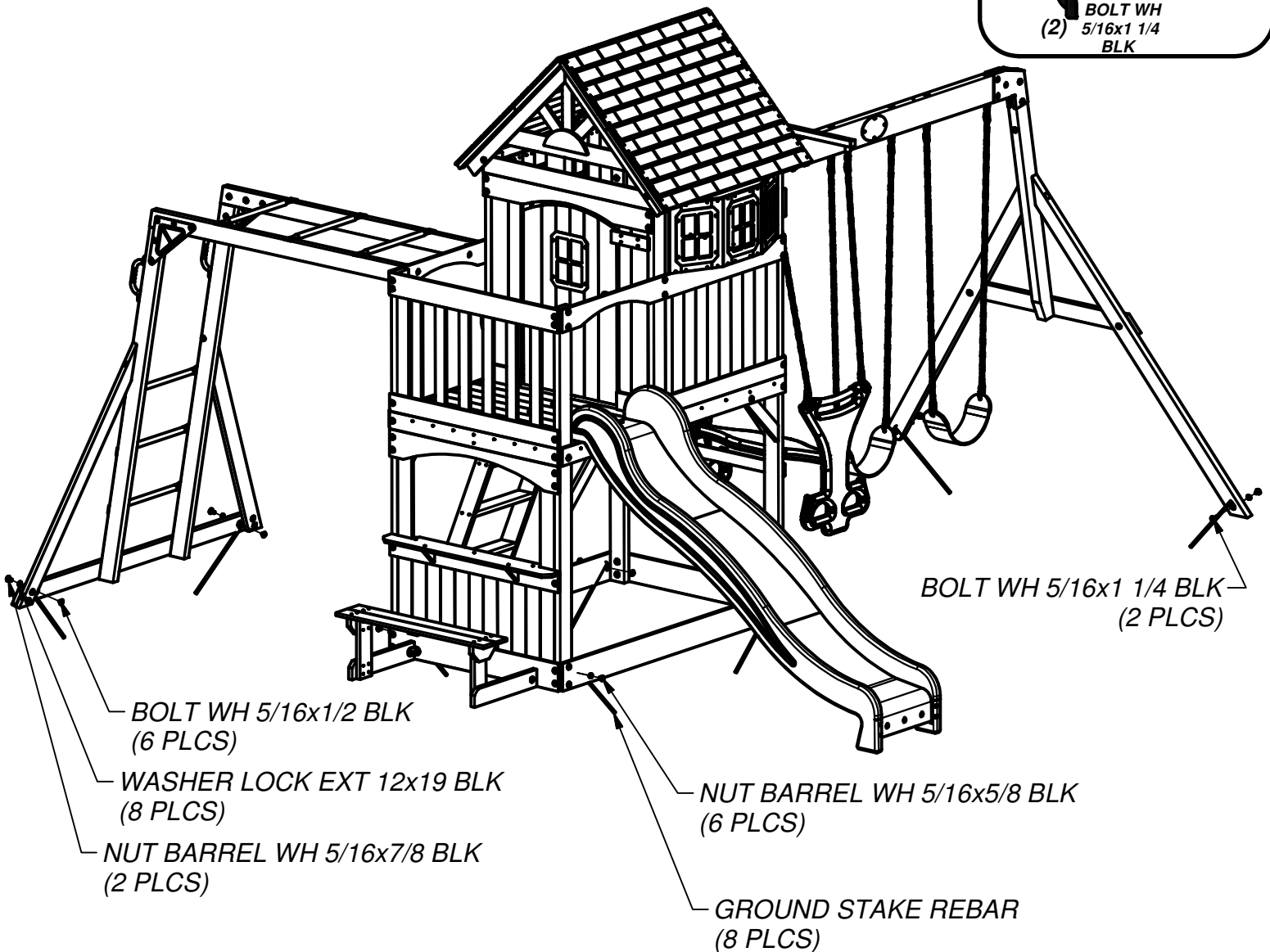
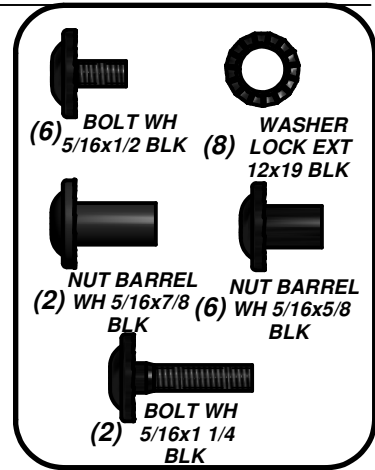
## Anchoring Instructions

### STEP 33

TAP IN GROUND STAKES AT AN APPROXIMATE 45° ANGLE AT THE LOCATIONS SHOWN. USING GROUND STAKES AS A GUIDE, DRILL 7/16" DIA HOLES.

### NOTE:

FAILURE TO USE GROUND STAKES CAN VOID WARRANTY & CAUSE INJURY!



### FINAL STEP

DOUBLE CHECK EVERY BOLT, SCREW AND NUT FOR TIGHTNESS. MAKE SURE EVERY BOARD IS SECURE AND MAKE SURE THE PLAY SET IS LEVEL.

ENJOY YOUR NEW PLAY SET!

## Limited Warranty

This Limited Warranty by Backyard Discovery applies to products manufactured under the Backyard Discovery brand or its other brands including but not limited to Backyard Botanical, Adventure Playsets, and Leisure Time Products.

Backyard Discovery warrants that this product is free from defect in materials and workmanship for a period of one (1) year from the original date of purchase. This one (1) year warranty covers all parts including wood, hardware, and accessories. All wood carries a five (5) year pro-rated warranty against rot and decay. Refer to the schedule below for charges associated with replacement of parts under this Limited Warranty. In addition, Backyard Discovery will replace any parts within the first 30 days from date of purchase found to be missing from or damaged in the original packaging.

This warranty applies to the original owner and registrant and is **non-transferable**. Regular maintenance is required to assure maximum life and performance of this product and failure by the owner to maintain the product according to the maintenance requirements may void this warranty. Maintenance guidelines are provided in the Owner's Manual.

This Limited Warranty does not cover:

- Labor for any inspection
- Labor for replacement of any defective item(s)
- Incidental or consequential damages
- Cosmetic defects which do not affect performance or integrity of a part or the entire product
- Vandalism, improper use, failure due to loading or use beyond the capacities stated in the applicable Assembly Manual.
- Acts of nature including but not limited to wind, storms, hail, floods, excessive water exposure
- Improper installation including but not limited to installation on uneven, unlevel, or soft ground
- Minor twisting, warping, checking, or any other natural occurring properties of wood that do not affect performance or integrity

Backyard Discovery products have been designed for safety and quality. Any modifications made to the original product could damage the structural integrity of the unit leading to failure and possible injury. Modification voids any and all warranties and Backyard Discovery assumes no liability for any modified products or consequences resulting from failure of a modified product.

This product is warranted for RESIDENTIAL USE ONLY. Under no circumstance should a Backyard Discovery product be used in public settings. Such use may lead to product failure and potential injury. Any and all public use will void this warranty. Backyard Discovery disclaims all other representations and warranties of any kind, express or implied.

This Warranty gives you specific legal rights. You may have other rights as well which vary from state to state or province to province. This warranty excludes all consequential damages, however, some states do not allow the limitation or exclusion of consequential damages and therefore this limitation may not apply to you.

### Pro Rated Part Replacement Schedule

#### Product Age

#### **All Parts**

0-30 days from date of purchase

31 days to 1 year

#### **Wood Rot and Decay Only**

1 year

2 years

3 years

4 years

5 years

Over 5 years

#### Customer Pays

\$0 and free shipping

\$0 + S&H

\$0 and free shipping

20% + S&H

40% + S&H

60% + S&H

80% + S&H

100% + S&H