



CONTRACTOR GRADE



AF-1000PS

12.5 cu. ft. SWIVEL DUMP CART

*PATENT PENDING



READ AND FOLLOW ALL SAFETY RULES AND OPERATING INSTRUCTIONS BEFORE USING THIS EQUIPMENT

Safety Rules



This is the safety alert symbol. It is used to alert you to potential personal injury hazards. Obey all safety messages that follow this symbol to avoid possible injury or death.

Read and understand all safety rules and operating instructions before using this tractor attachment.

Follow all safety rules and operating instructions provided by your vehicle's manufacturer when using attachment.

Never allow children or untrained persons to operate vehicle or attachment.

Do not exceed the vehicle manufacturer's towed weight limit.

Reduce vehicle speed and allow extra stopping distance when towing heavy loads.

Reduce vehicle speed and towed weight when operating on slopes.

Operate up and down slopes, never across the face of slopes.

Do not carry passengers on vehicle or attachment.

Avoid sudden turns or maneuvers.

Do not tow attachment on public roadways.

Do not remove warning decals from product.

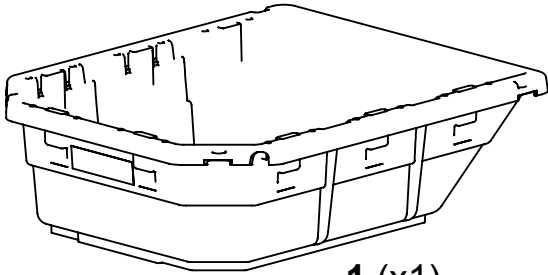
Check product for worn, loose, or damaged parts before each use. If any damage is present, repair the product before using.

Check product for loose or missing fasteners before each use. Tighten or replace fasteners as needed before using.

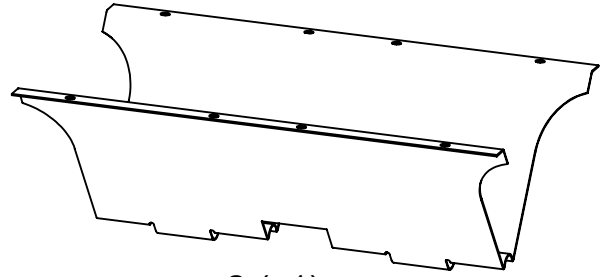
Do not exceed vehicle speed of 6 miles per hour when towing Dump Cart.

Do not exceed Dump Cart rated weight capacity of 1000 pounds.

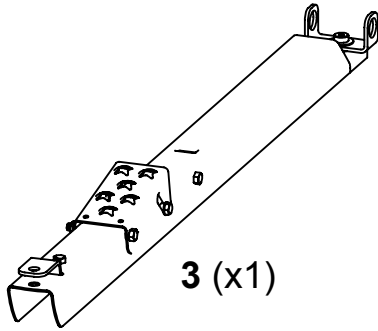
Carton Contents



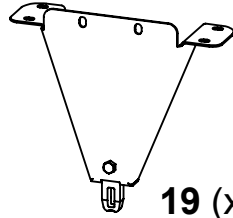
1 (x1)



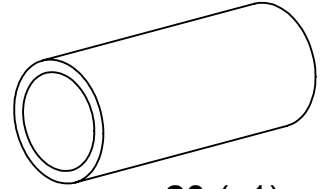
2 (x1)



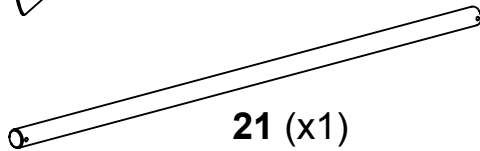
3 (x1)



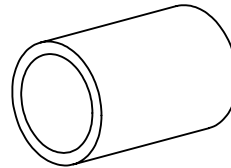
19 (x1)



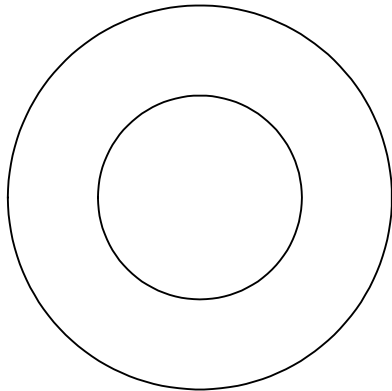
20 (x1)



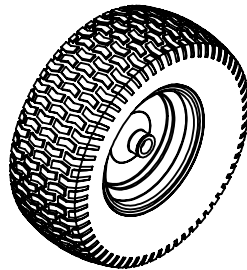
21 (x1)



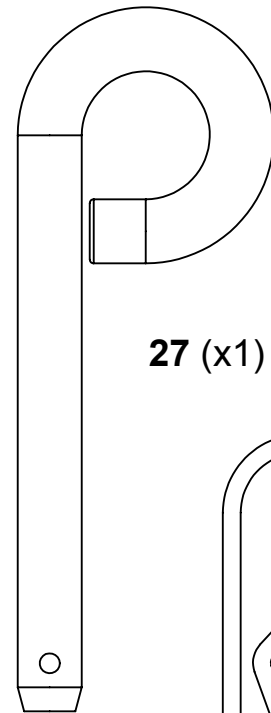
22 (x2)



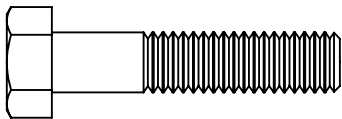
23 (x4)



24 (x1)



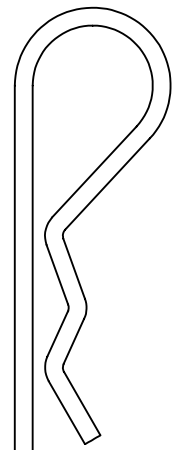
27 (x1)



25 (x12)



26 (x12)



28 (x3)

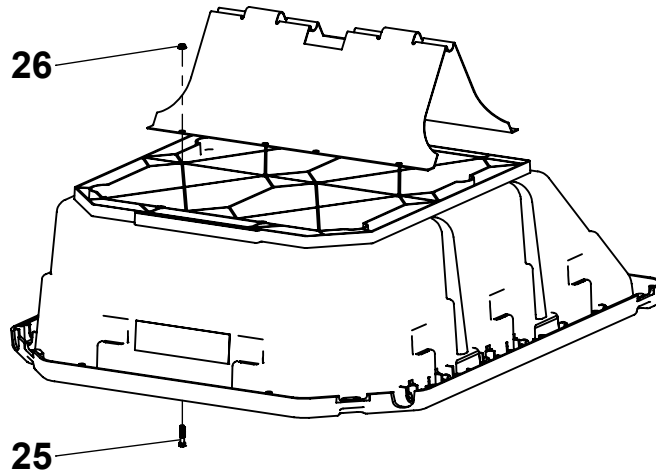
TOOLS REQUIRED FOR ASSEMBLY:

- 1/2" Wrench or Socket
- Grease Gun

Assembly Instructions

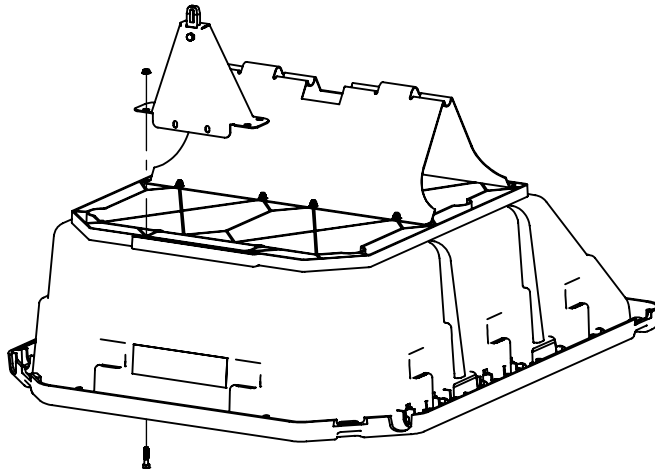
1

Attach Undercarriage to Poly Body and tighten hardware.



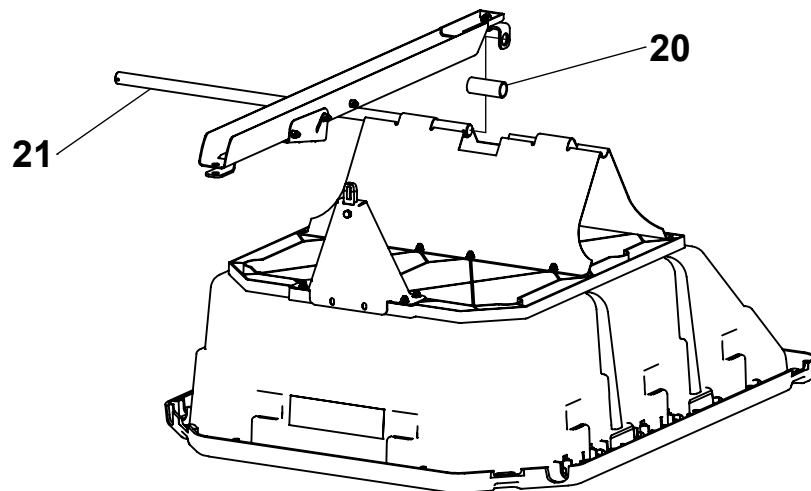
2

Attach Front Support to Poly Body and tighten hardware.



3

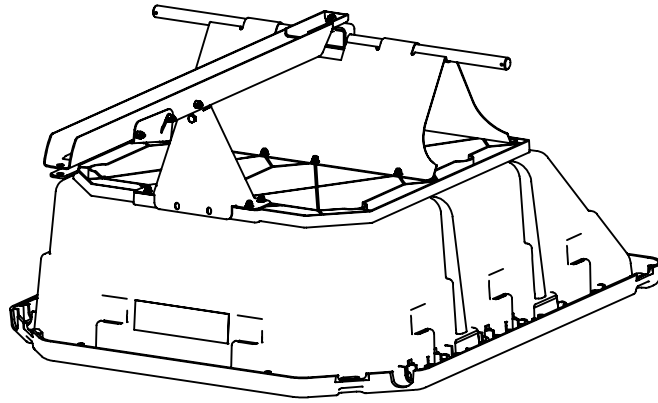
Insert Axle into Undercarriage halfway as shown. Center Spacer inside Swivel Clevis and align with Axle.



Assembly Instructions

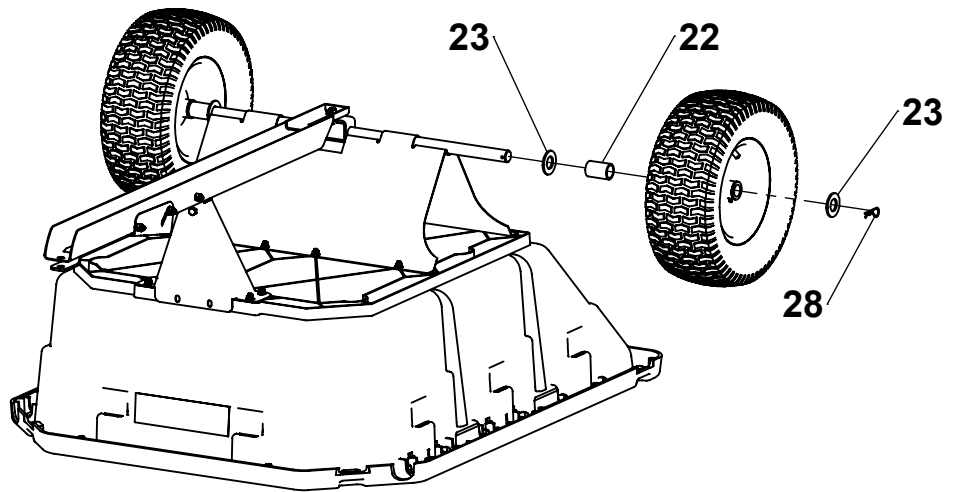
4

Slide Axle completely through Undercarriage; Swivel Clevis and Spacer must be captured by Axle.
Align Drawbar with Front Support and press down to latch.



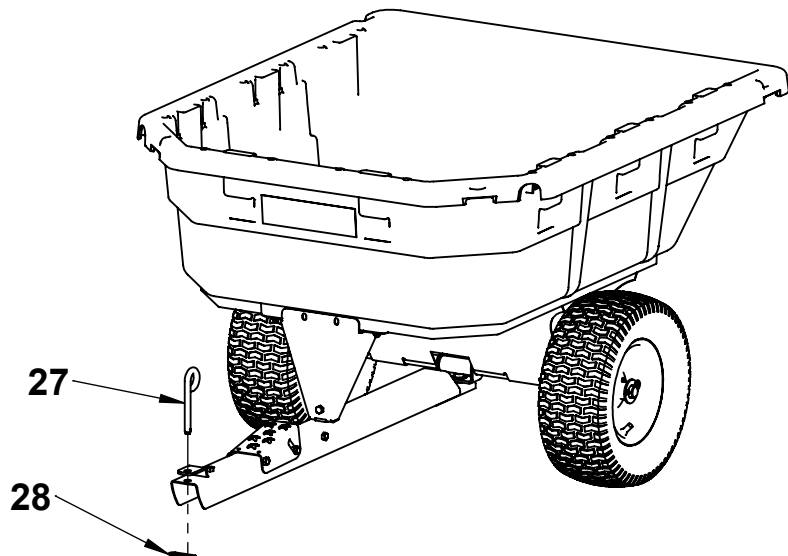
5

Slide Washers, Spacers and Wheels onto Axle and secure with Hairpins as shown.



6

Install Hitch Pin as shown.



Operating Instructions

Before Using Dump Cart:

1. Apply grease to wheels using grease gun until grease can be seen squeezing out from both sides of the wheel.
2. Check tire pressure and inflate to 28 psi if needed.
3. Read all Safety Rules found on page 1.

How to Use Dump Cart:

1. Attach Dump Cart to your tractor using the supplied hitch pin.
2. Do not exceed 1000 pounds when loading material into the cart body.
3. Distribute the weight of the load as evenly as possible in the cart body for best handling.
4. When hauling heavy loads, verify that your vehicle has adequate towing and braking capacity.
5. Do not exceed 6 miles per hour when towing Dump Cart.

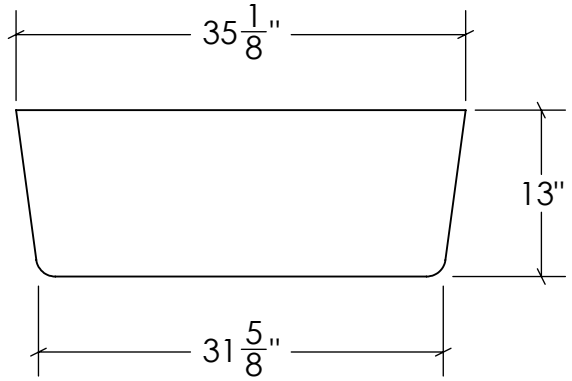
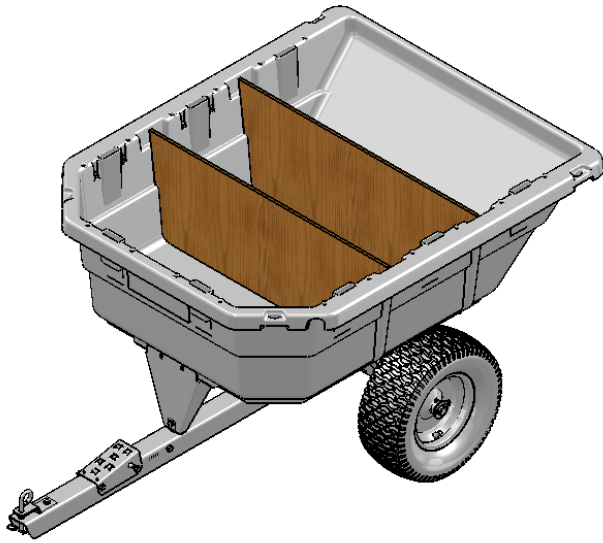
How to Empty Dump Cart:

1. Step down the foot pedal to release the latch mechanism.
2. Lift the body and swivel as desired to guide the material to preferred location.
3. Lift the body entirely and empty material.
4. Lower the body and guide the latch into the drawbar and relatch.

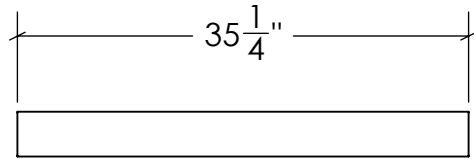
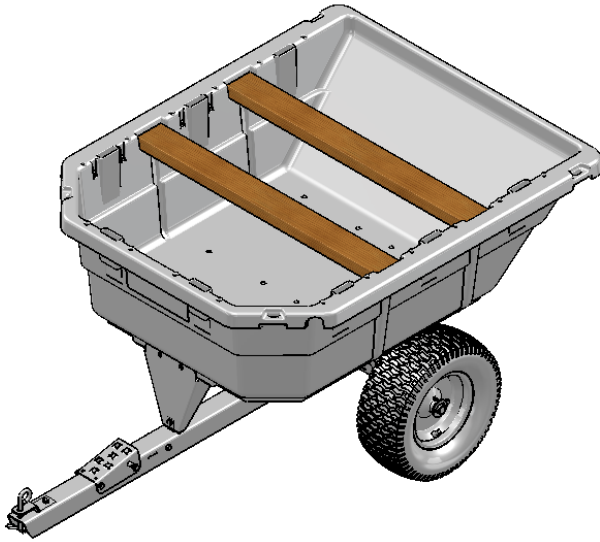
Periodic Maintenance:

- Tighten fasteners as needed before each use
- Check tire pressure before each use
- Grease wheels annually

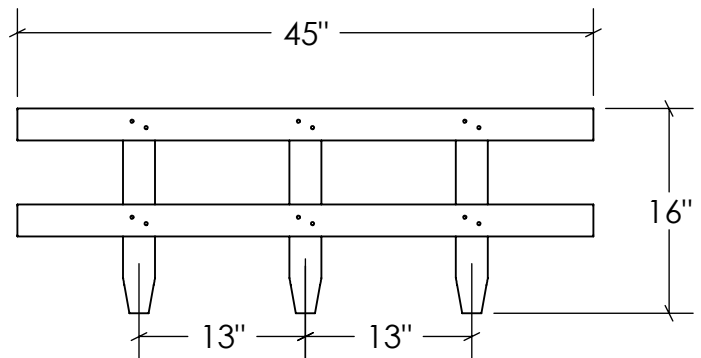
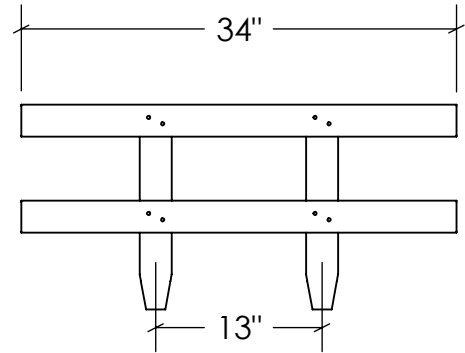
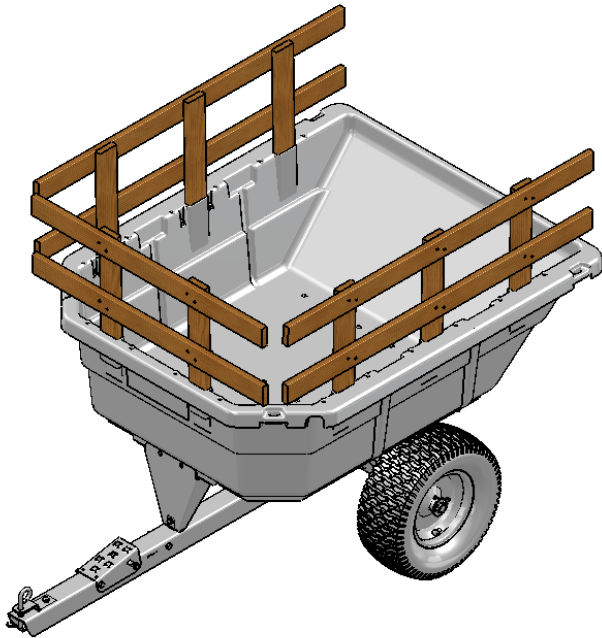
Do-It-Yourself Accessories



USE 1/2" PLYWOOD



USE STANDARD 2 X 4



USE NOMINAL GRADE C 1 X 3

Warranty

If this product fails due to a defect in material or workmanship within TWO YEARS from the date of purchase, we will at our option repair or replace it free of charge. This warranty excludes tires and wheels, which are expendable and become worn during normal use.

This warranty does not cover:

- Repairs necessary because of operator abuse or negligence.
- Equipment used for commercial or rental purposes.
- Paint that is worn or faded due to normal use or exposure.

To arrange for product repair call 1-800-652-2321, or return this product to place of purchase for replacement.

This warranty gives you specific legal rights, and you may also have other rights which may vary from state to state. This warranty applies only while this product is in use in the United States.

In the space below record the purchase date of your Dump Cart.

Model Number **AF-1000PS** _____

Purchase Date _____

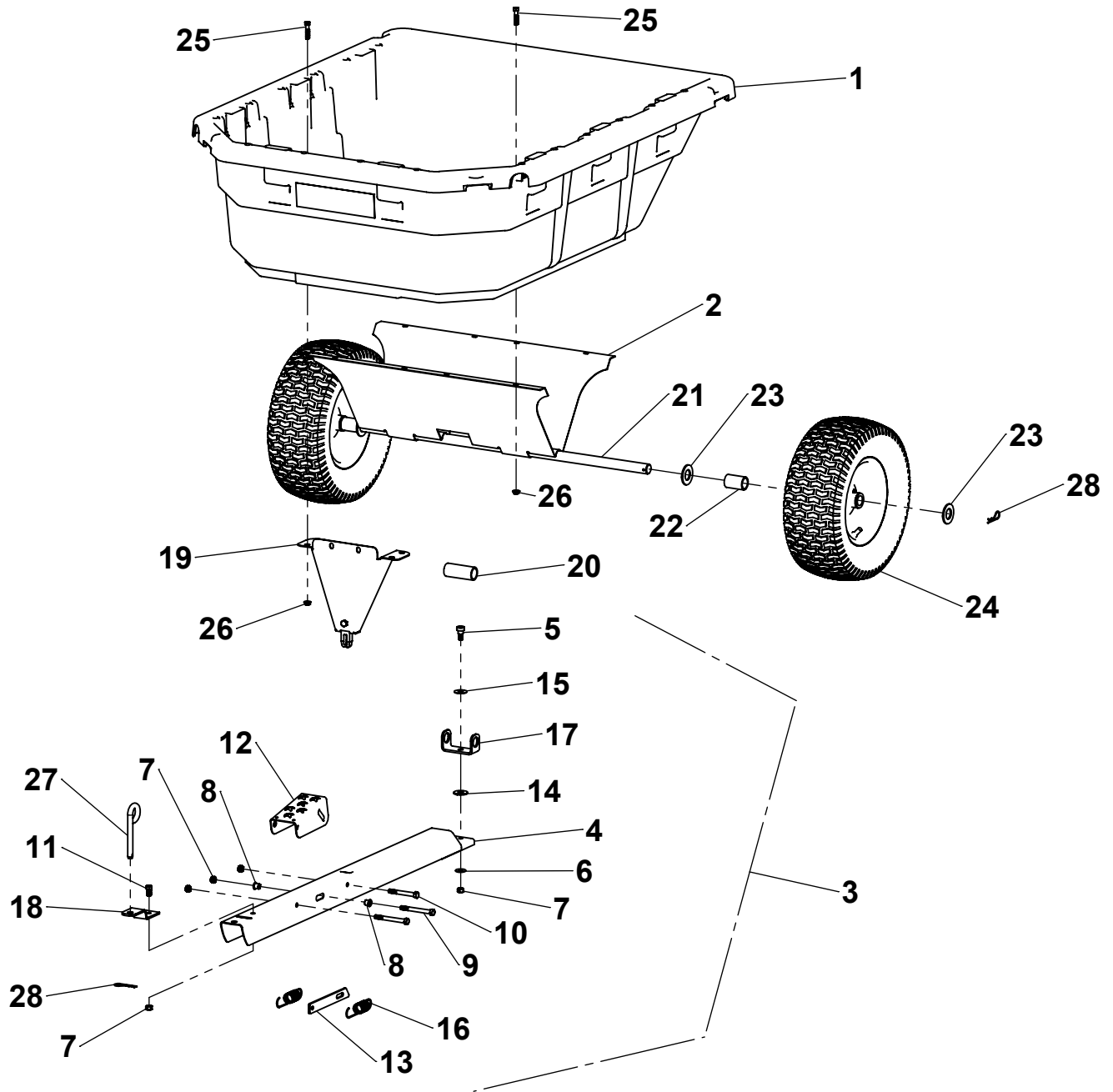
Keep this Owner's Manual and your receipt in a safe place for future reference.

After the two year warranty period all replacement parts may be ordered by calling **1-800-652-2321**.

When ordering replacement parts, always give the following information:

- Product **12.5 cu ft POLY SWIVEL DUMP CART** _____
- Model Number **AF-1000PS** _____
- Part Number _____
- Part Description _____

Repair Parts



ITEM	PART NO	DESCRIPTION	QTY	ITEM	PART NO	DESCRIPTION	QTY
1	311161	Poly Body	1	15	6000368	Spring Washer	1
2	6000404	Undercarriage	1	16	6000325	Latch Spring	2
3	6000315-G	Drawbar Assembly (incl 4-18)	1	17	6000312	Swivel Clevis	1
4	6000383	Drawbar	1	18	401121	Hitch Bracket	1
5	6000369	Shoulder Bolt	1	19	6000310	Front Support	1
6	3000720	3/8" USS Flat Washer	1	20	6000463	Spacer	1
7	300061	3/8-16 C-Lock Nut	5	21	300002	Axle	1
8	6000324	Bushing	2	22	6000382	Spacer	2
9	6000370	3/8-16 x 3-1/2" Hex Bolt	2	23	300076	1" SAE Flat Washer	4
10	300055	3/8-16 x 3" Hex Bolt	1	24	300013	Wheel	2
11	300052	3/8-16 x 3/4" Hex Bolt	1	25	3000528	5/16-18 x 1-1/2" Hex Bolt	12
12	6000305	Foot Pedal	1	26	6000419	5/16-18 Flange Lock Nut	12
13	6000309	Latch	1	27	6000533	Hitch Pin	1
14	300075	1/2" USS Washer	1	28	300084	Hairpin Cotter, 2-5/16"	3

OHIO *STEEL*
INDUSTRIES

DESIGNED AND TESTED IN
COLUMBUS, OHIO

MANUFACTURED IN THE U.S.A. FROM DOMESTIC
AND IMPORTED COMPONENTS



MODEL # AF-1000PS

(800) 652-2321