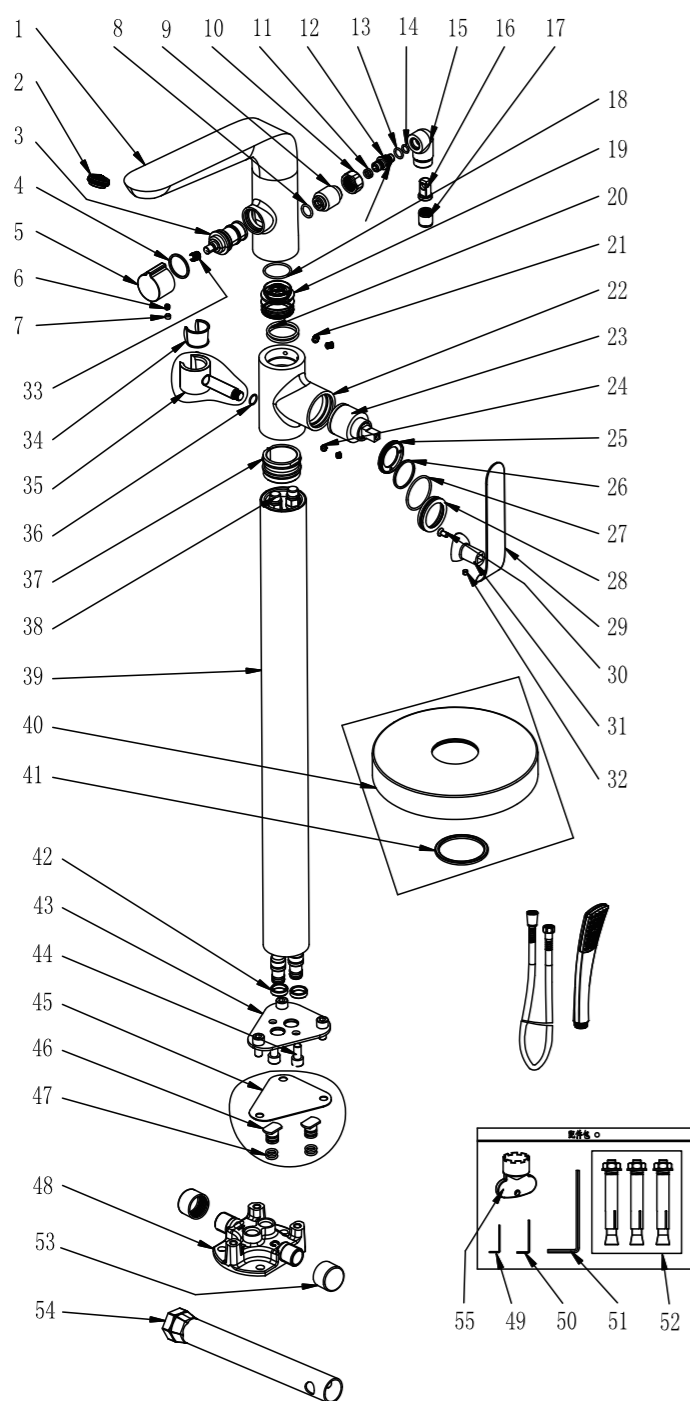


Step 4 Cleaning and care

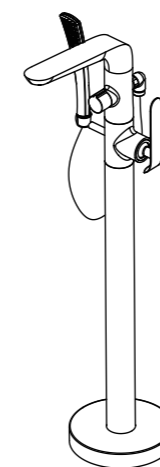
Daily cleaning and care are required in order to keep the product shining and properly working.

- 1 Clean it with water and dry it with soft cloth.
- 2 Clean the product with gentle liquid or glass cleaner.
- 3 Don't use acid cleaner.
- 4 Don't clean with abrasive material, abrasive paper or knife.

Step 5 Parts list



NO.	PART NAME
1	Spout
2	Aerator
3	Cartridge
4	Wearing Ring
5	Handle
6	Screw
7	Button
8	O-ring
9	Connector
10	Connector Nut
11	O-ring
12	Connector
13	O-ring
14	O-ring
15	Shower Hose Connector
16	Hose Connector Core
17	Check Valve
18	O-ring
19	Spout Connector
20	O-ring
21	Screw
22	Body
23	Cartridge
24	Screw
25	Lock Nut
26	Wearing Ring
27	O-ring
28	Cartridge Cover
29	Handle
30	Screw
31	Handle Cover
32	Screw
33	Valve
34	Handle Adapter
35	Shower Holder
36	O-ring
37	Body Connector
38	Inlet Pipe
39	Straight Tube
40	Plate
41	O-ring
42	Nut
43	Connect Plate
44	Screw
45	Fixed Plate
46	Plug
47	O-ring
48	Fixed Seat
49	Allen Key
50	Allen Key
51	Allen Key
52	Screw
53	Sleeve
54	Socket Wrench
55	Aerator Wrench



SINGLE HANDLE SHOWER SET, CHROME

The product is CUPC and ADA certified.
Original certification model code: BZ20U75-1392
ASME A112.18.1/CSA B125.1

RECOMMENDED TOOLS

Screwdriver

Channel Locks

Goggles

Hammer

Adjustable Wrench

Teflon tape

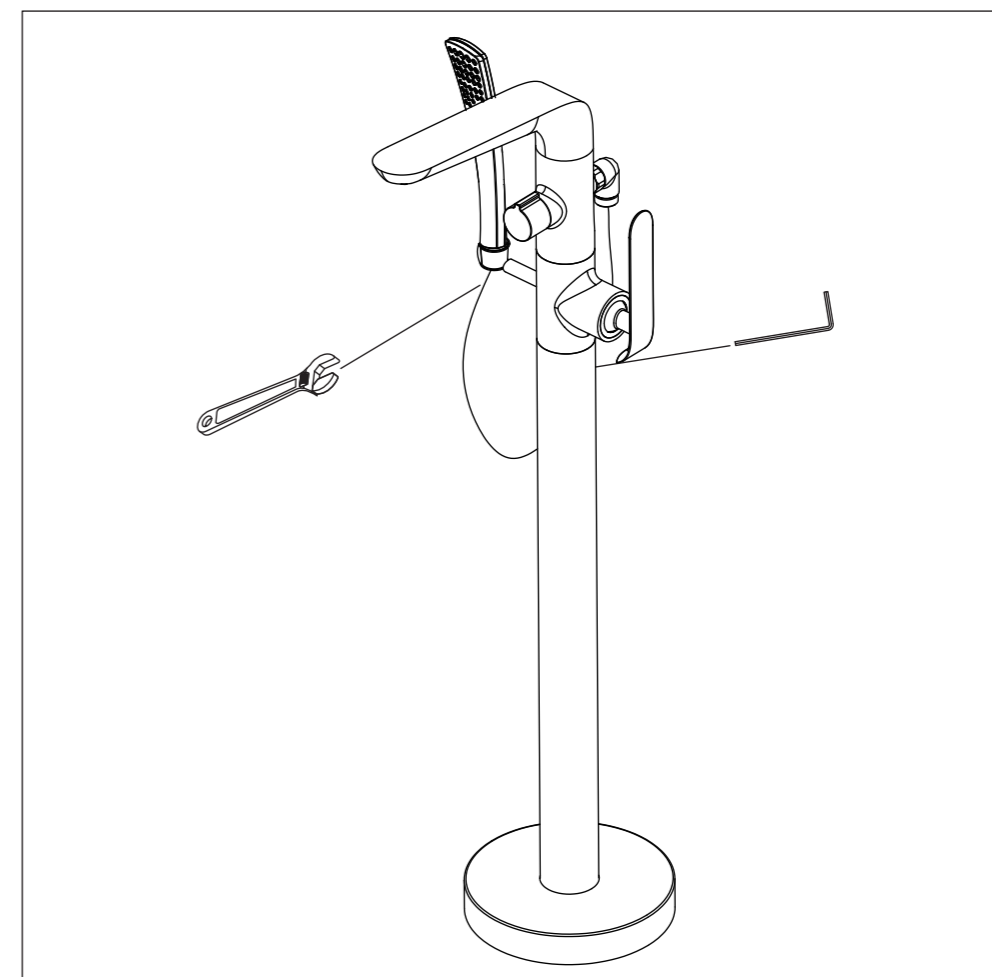
Allen key

! WARNING:
Please keep the tool for future use!

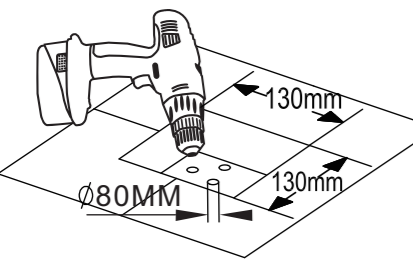
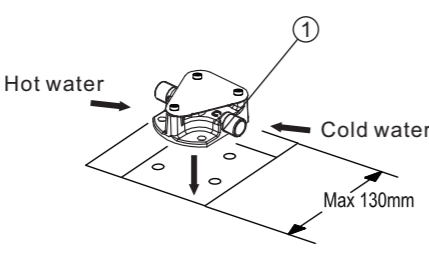
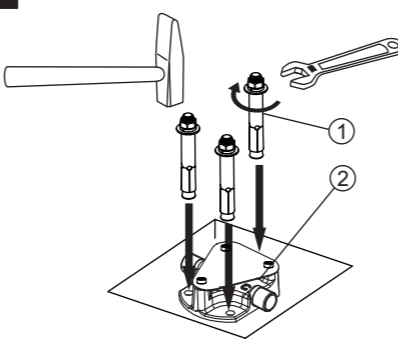
! Attention:
for easy installation, you will need:

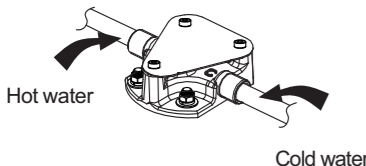
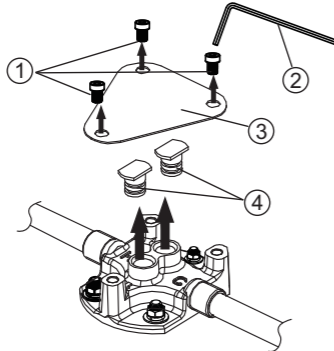
1. To read all the installation instruction completely before beginning.
2. To read all the warning, attention and maintenance information.

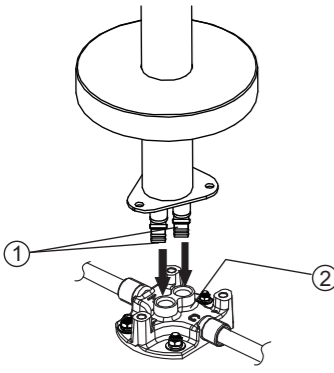
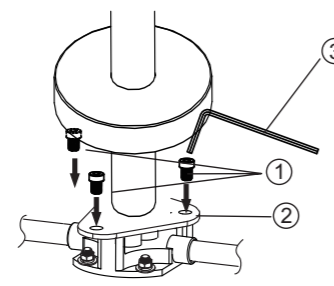
The tools might be applied to the following places:



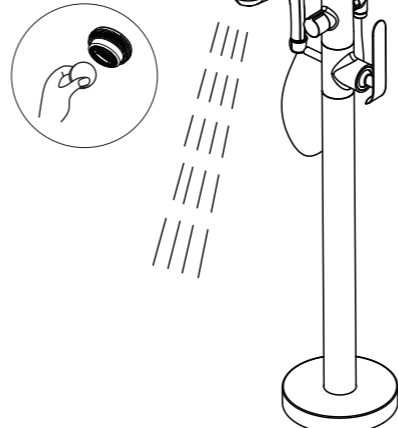
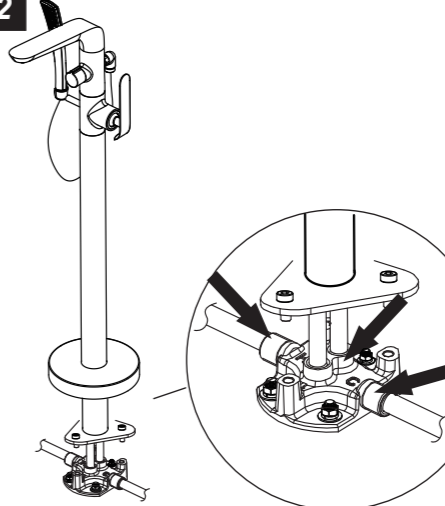
Step 1 Faucet installation

<p>1</p>  <p>Drill one hole of 130mmX130mm max and drill 3 holes with 80mm diameter as shown.</p>	<p>2</p>  <p>Align the base ① with the holes exactly as shown.</p>	<p>3</p>  <p>Insert the expansion anchors ① into the holes on the base ② with a hammer, tighten with adjustable wrench.</p>
---	--	---

<p>4</p>  <p>Connect hot and cold supply lines and test by opening water lines.</p>	<p>5</p>  <p>If there are no leaks, remove the 3 screws (1) with the Allen key (2), then remove plate (3) and nuts (4) as shown.</p>
--	---

<p>6</p>  <p>Connect hot water flexible hose (1) and cold water flexible hose (2) to the base (2) correctly as shown.</p>	<p>7</p>  <p>Insert 3 screws (1) into holes on the plate (2), tighten with allen key (3).</p>
---	---

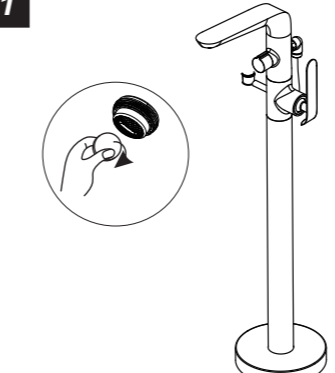
Step 2 Checking and testing

<p>1</p>  <p>Remove aerator by coin and open the hot and cold water supplies. Check for leaks. Turn on faucet handle for one minute to flush debris from faucet.</p>	<p>2</p>  <p>Check all connections at arrows for leaks, re-tighten it if necessary.</p> <p>! BUT DON'T OVERTIGHTEN</p>
--	--

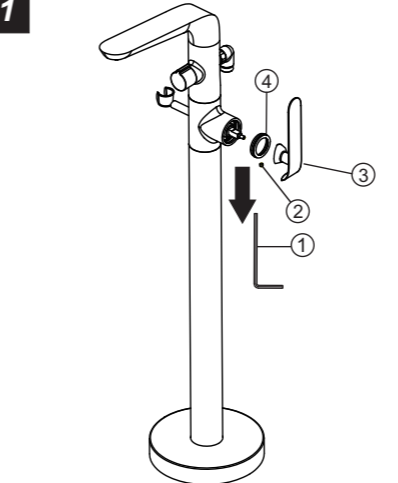
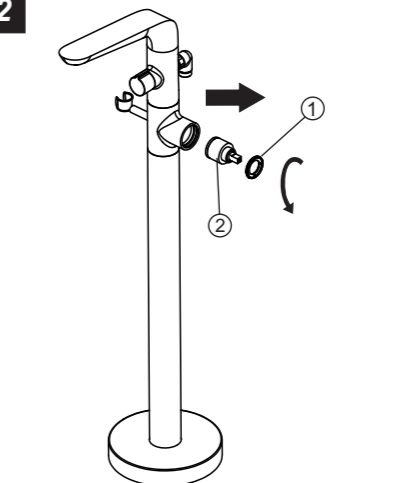
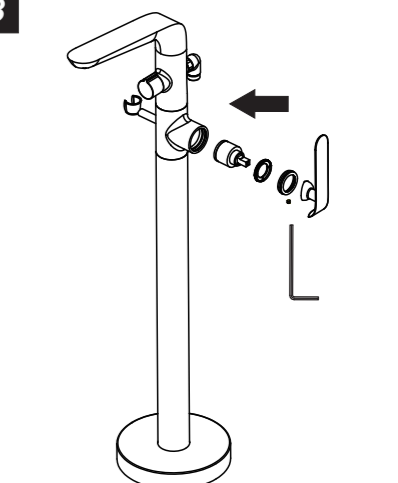
Step 3 Maintenance

A. If there is splash or low flow rate, please remove the aerator with by coin and clean the debris.

1



B. If faucet leaks from the handle or drips from spout, please replace cartridge following the following steps:

<p>1</p>  <p>Disassemble the screw ② with allenkey ①, take out the handle ③, then remove the trim cap ④.</p>	<p>2</p>  <p>Unscrew the cartridge nut ① with adjustable wrench, then take out the old cartridge ②.</p>	<p>3</p>  <p>Place a new cartridge in the cartridge seat, then screw the cartridge lock nut and assemble the handle by securing the screws. Repeat the above steps for the other cartridge if necessary.</p>
--	---	--