

PRESSURE LITE® TOILET K-3505

Features

- Vitreous china
- Elongated bowl
- Equipped with Sloan FLUSHMATE® – Sloan® Valve Company
- Polished chrome trip lever
- Less seat and supply
- 12" (305 mm) rough-in
- 1.6 gpf (6.0 lpf)
- 12" (305 mm) x 10" (254 mm) water area
- Optional bedpan lugs or tank cover locks
- 30-1/2" (775 mm) x 21-1/4" (540 mm) x 29-3/4" (756 mm)



Codes/Standards Applicable

Specified model meets or exceeds the following:

- ASME A112.19.2/CSA B45.1
- Energy Policy Act of 1992

Colors/Finishes

- 0: White
- Other: Refer to Price Book for additional colors/finishes

Accessories

- 0: White
- CP: Polished Chrome
- PB: Vibrant® Polished Brass
- Other: Refer to Price Book for additional colors/finishes

Specified Model

Model	Description	Trip Lever	Colors/Finishes	
K-3505	Pressure Lite toilet (shown)	left-hand	<input type="checkbox"/> 0	<input type="checkbox"/> Other_____
K-3505-RA	Pressure Lite toilet	right-hand	<input type="checkbox"/> 0	<input type="checkbox"/> Other_____
K-3505-T	Pressure Lite toilet with tank cover locks	left-hand	<input type="checkbox"/> 0	<input type="checkbox"/> Other_____
K-3505-TR	Pressure Lite toilet with tank cover locks	right-hand	<input type="checkbox"/> 0	<input type="checkbox"/> Other_____

Recommended Accessories

K-4713	French Curve® elongated toilet seat		<input type="checkbox"/> 0	<input type="checkbox"/> Other_____
K-4650	Lustra™ elongated open-front toilet seat - for ADA compliance		<input type="checkbox"/> 0	<input type="checkbox"/> Other_____
K-7637	Angle supply with stop – 3/8" NPT	<input type="checkbox"/> CP	<input type="checkbox"/> PB	<input type="checkbox"/> Other_____

Product Specification

The elongated bowl toilet shall be made of vitreous china. Toilet shall be 30-1/2" (775 mm) in length, 21-1/4" (540 mm) in width, and 29-3/4" (756 mm) in height. Toilet shall feature 12" (305 mm) rough-in and is equipped with Sloan FLUSHMATE® – Sloan® Valve Company. Toilet shall have 12" (305 mm) by 10" (254 mm) water area. Toilet shall be 1.6 gpf (6.0 lpf). Toilet shall include polished chrome trip lever. Toilet shall be less seat and supply. Toilet shall feature optional bedpan lugs or tank cover locks. Elongated bowl toilet shall be Kohler Model K-3505-_____ or K-3505-_____ -_____.

WELLWORTH®

Optional Accessories

K-9481-L	Trip lever, left-hand (non-CP finish)	<input type="checkbox"/> PB	<input type="checkbox"/> Other_____
K-9481-R	Trip lever, right-hand (non-CP finish)	<input type="checkbox"/> PB	

Technical Information

Fixture:	
Configuration	two-piece, elongated
Water per flush	1.6 gpf (6.0 lpf)
Passageway	2-1/4" (57 mm)
Water area	12" (305 mm) x 10" (254 mm)
Water depth from rim	5-5/8" (143 mm)
Seat post hole centers	5-1/2" (140 mm)
Minimum static pressure required	20 psi (137.9 kPa)
Maximum static pressure	80 psi (551.6 kPa)

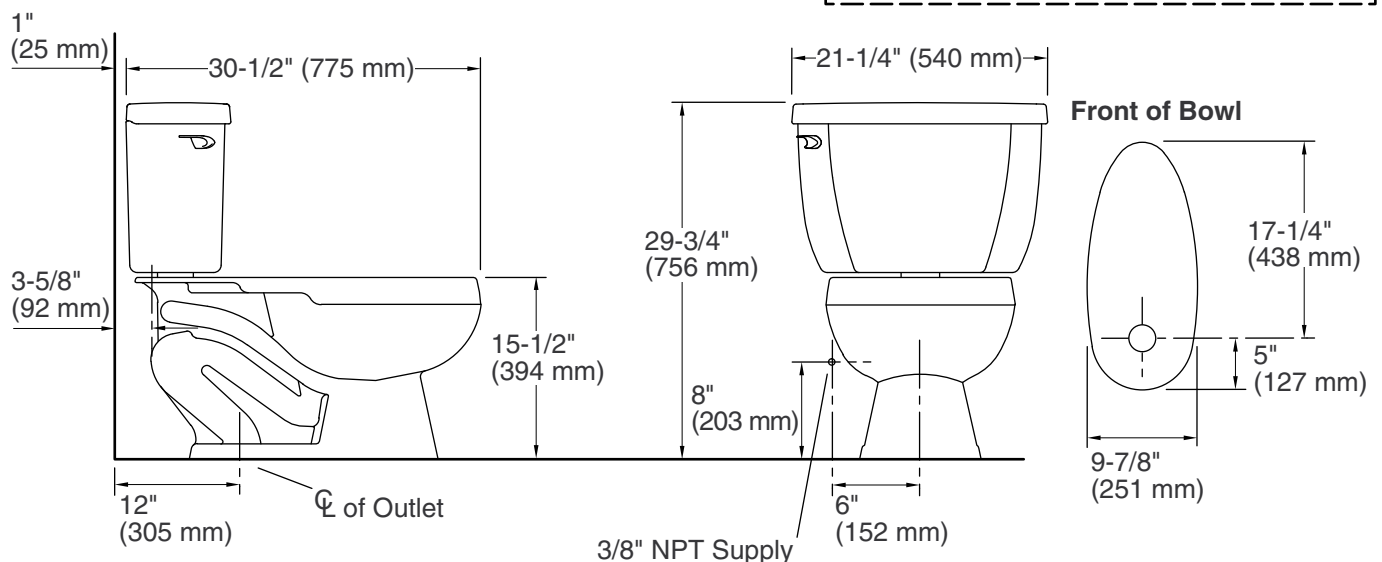
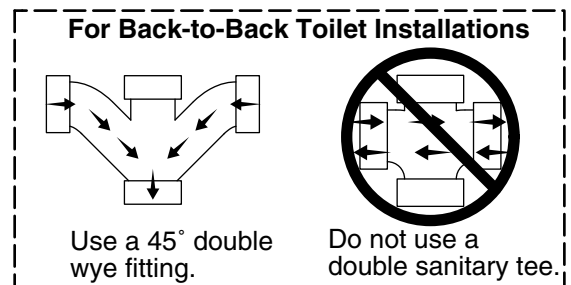
Included Components*:	
Bowl	K-4303
Tank	K-4645 (cont.)

(cont.) Tank cover	1036375
Trip lever, left-hand	K-9481-L OR
Trip lever, right-hand	K-9481-R
Tank accessory pack	73062
Bolt cap accessory pack	52048
*Equipped with Sloan FLUSHMATE® – Sloan® Valve Company	

Installation Notes

Install this product according to the installation guide.

For back-to-back toilet installations: Use only a 45° double wye fitting.



Product Diagram