

*If you have questions or comments, contact us.
Si tiene dudas o comentarios, contáctenos.*

1-888-899-0146 • www.Altonindustries.com

**INSTRUCTION MANUAL
MANUAL DE INSTRUCCIONES**

INSTRUCTIVO DE OPERACIÓN, CENTROS DE SERVICIO Y PÓLIZA DE GARANTÍA. **ADVERTENCIA:** LÉASE ESTE INSTRUCTIVO ANTES DE USAR EL PRODUCTO.

DEWALT®

**DXV09P
9 GALLON (34 L) PORTABLE WET/DRY VACUUM
ASPIRADORA PARA LIQUIDOS Y SOLIDOS DE 34 L**

TABLE OF CONTENTS

Specifications.....	2
Package Contents	3
Safety Information.....	4
Operating Instructions.....	6
Care and Maintenance	10
Troubleshooting.....	11
Exploded View and Parts List.....	12
Warranty.....	13

PRODUCT SPECIFICATIONS

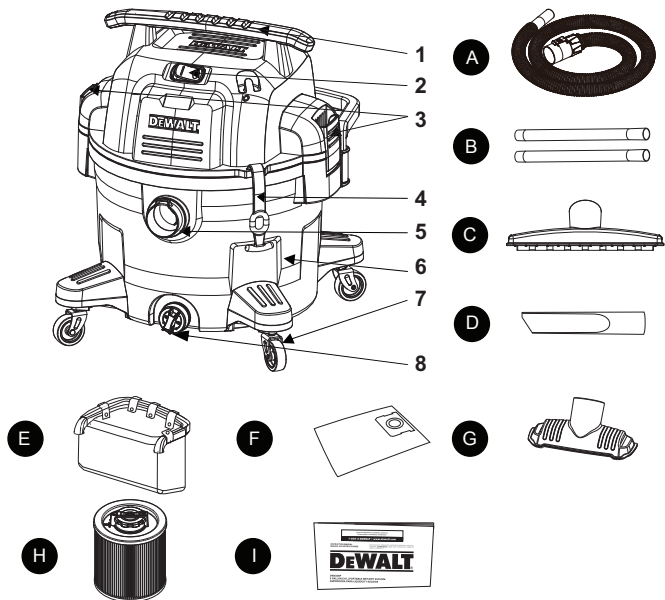
Power	120 V / 60 Hz / 10 A
Motor	Single Stage
Tank Capacity	9 Gallon
Hose	1-7/8 in. x 7 ft.
Power cord	SJTW18AWG / 10 ft. Length

▲WARNING:

Use only extension cords that are rated for outdoor use. Extension cords in poor condition or that are too small in wire size can pose fire and shock hazards. To reduce the risk of these hazards when using an extension cord, be sure it is in good condition and that the connection does not come into contact with liquid. To keep power loss to a minimum, use the following table to choose the minimum wire size extension cord.

Extension Cord Length	Gauge A.W.G.
0 - 50 ft.	14
50 - 100 ft.	12

PACKAGE CONTENTS



HARDWARE CONTENTS



Caster
QTY.4

BB



Self-tapping Screw
ST3.9 x 16 F
QTY.8

CC



Bracket
QTY.2

Cleaner Description	
Item	Description
1	Handle
2	Power Switch
3	Two Lid Latches
4	Hose Strap
5	Vacuum Port
6	Dust Tank
7	Heavy-duty Rubberized Casters
8	Drain Port

Part	Description	Part No.	Qty
A	1-7/8" Air hose	DXVA19-2558	1
B	Extension wand	DXVA19-1200A	2
C	Floor nozzle	DXVA19-1900D	1
D	Crevice nozzle	DXVA19-1400	1
E	Accessory Bag With Holder	DXVA19-5156	1
F	Disposable filter bag	DXVA19-4101	1
G	Utility nozzle	DXVA19-1300	1
H	Clean Connect™ Filter	DXVC6910	1
I	Instruction Manual		1

Definitions: Safety Guidelines

The definitions below describe the level of severity for each signal word. Please read the manual and pay attention to these symbols.

⚠ DANGER: Indicates an imminently hazardous situation which, if not avoided, **will** result in **death or serious injury**.

⚠ WARNING: Indicates a potentially hazardous situation which, if not avoided, **could** result in **death or serious injury**.

⚠ CAUTION: Indicates a potentially hazardous situation which, if not avoided, **may** result in **minor or moderate injury**.

NOTICE: Indicates a practice **not related to personal injury** which, if not avoided, **may** result in **property damage**.

IMPORTANT SAFETY INSTRUCTIONS

⚠ WARNING: When using electric appliances, always follow basic safety precautions to reduce the risk of fire, electric shock and personal injury, including the following:

BEFORE USING THIS APPLIANCE, READ AND FOLLOW ALL INSTRUCTIONS.

⚠ WARNING: To reduce the risk of electric shock. Do not expose to rain. Store indoors.

- Do not leave the appliance when it is connected to a power source. Unplug it from outlet when not in use and before servicing.
- Do not allow the appliance to be used as a toy. Pay close attention when the appliance is used by or near children.

- Use this appliance **ONLY** as described in the manual. Use only DEWALT recommended attachments.
- Do not use this appliance with a damaged cord or plug. If the appliance is not working correctly, or if it has been dropped, damaged, left outdoors, or dropped in water, return it to a service center.
- Do not pull or carry this appliance by the cord, use the cord as a handle, close a door on the cord, or pull the cord around sharp edges or corners. Do not run the appliance over the cord. Keep cord away from heated surfaces.
- Do not unplug this appliance by pulling on the cord. To unplug, grasp the plug, not the cord.
- Do not handle the plug or appliance with wet hands.
- Do not put any objects into the openings of the appliance. Do not use the appliance with any opening blocked; keep free of dust, lint, hair and anything else that may reduce air flow.
- Keep hair, loose clothing, fingers, and all body parts away from the openings and moving parts.
- Turn off all controls before unplugging appliance.
- Use extra care when cleaning on stairs.
- Do not use the appliance to pick up flammable or combustible liquids, such as gasoline, or use in areas where flammable or combustible liquids are present.
- Static shocks are possible in dry areas or when the relative humidity of the air is low. This is only temporary and does not affect the use of the vacuum. To reduce the frequency of static shocks, add moisture to the air with a console, installed humidifier or use anti-static hose (standard on some models).
- To avoid spontaneous combustion, empty canister after each use.

SAVE THESE INSTRUCTIONS

ADDITIONAL SAFETY RULES

- Do not pick up anything that is burning or smoking, such as cigarettes, matches, or hot ashes.
- Do not use to vacuum combustible explosive materials, such as coal, grain, or other finely divided combustible material.
- Do not use to vacuum hazardous, toxic or carcinogenic materials, such as asbestos or pesticide.
- Never pick up explosive liquids (e.g. gasoline, diesel fuel, heating oil, paint thinner, etc.), acids or solvents.
- Do not use vacuum without filters in place, except as described under **Wet Pickup Applications**.
- Some wood contains preservatives which can be toxic. Take extra care to prevent inhalation and skin contact when working with these materials. Request and follow any safety information available from your material supplier.
- Do not use vacuum as a step ladder.
- Do not place heavy objects on vacuum.
- **An extension cord must have adequate wire size (AWG or American Wire Gauge) for safety.** The smaller the gauge number of the wire, the greater the capacity of the cable, that is 16 gauge has more capacity than 18 gauge. An undersized cord will cause a drop in line voltage resulting in loss of power and overheating. When using more than one extension to make up the total length, be sure each individual extension contains at least the minimum wire size. The following table shows the correct size to use. If in doubt, use the next heavier gauge. The smaller the gauge number, the heavier the cord.

- If an extension cord is to be used outdoors it must be marked with the suffix *W-A* or *W* following the cord type designation. For example – *SJTW-A* to indicate it is acceptable for outdoor use.

		Minimum Gauge for Cord Sets				
Ampere Rating		Volts	Total Length of Cord in Feet (meters)			
		120V	25 (7.6)	50 (15.2)	100 (30.5)	150 (45.7)
		240V	50 (15.2)	100 (30.5)	200 (61.0)	300 (91.4)
More Than	Not More Than	AWG				
0	6		18	16	16	14
6	10		18	16	14	12
10	12		16	16	14	12
12	16		14	12	Not Recommended	

▲ WARNING: Always wear proper personal hearing protection that conforms to ANSI S12.6 (S3.19) during use. Under some conditions and duration of use, noise from this product may contribute to hearing loss.

▲ WARNING: ALWAYS use safety goggles. Everyday eyeglasses are NOT safety goggles. Also use face or dust mask if area operation is dusty. **ALWAYS WEAR CERTIFIED SAFETY EQUIPMENT:**

- ANSI Z87.1 eye protection (CAN/CSA Z94.3),
- ANSI S12.6 (S3.19) hearing protection,
- NIOSH/OSHA/MSHA respiratory protection.

▲ WARNING: Some dust contains chemicals known to the State of California to cause cancer, birth defects or other reproductive harm. Some examples of these chemicals are:

- compounds in fertilizers,
- compounds in insecticides, herbicides and pesticides,
- arsenic and chromium from chemically-treated lumber.

To reduce your exposure to these chemicals, wear approved safety equipment such as dust masks that are specially designed to filter out microscopic particles.

For your convenience and safety, the following warning labels are on your vacuum.

ON MOTOR HOUSING :

▲ WARNING:

- **READ ALL INSTRUCTIONS BEFORE USING THIS APPLIANCE. DO NOT LEAVE APPLIANCE WHEN PLUGGED IN. UNPLUG BEFORE CLEANING AND SERVICING. USE INDOORS ONLY. DO NOT USE WITH DAMAGED CORD OR PLUG. KEEP CORD AWAY FROM HEATED SURFACES. DO NOT USE TO PICK UP FLAMMABLE, COMBUSTIBLE LIQUIDS SUCH AS GASOLINE, OR USE IN AREAS WHERE THEY MAY BE PRESENT. DO NOT USE TO PICK UP ANYTHING THAT IS BURNING OR SMOKING, SUCH AS CIGARETTES, MATCHES OR HOT ASHES. DO NOT VACUUM TOXIC, CARCINOGENIC, COMBUSTIBLE OR OTHER HAZARDOUS MATERIALS SUCH AS ASBESTOS, LEAD, PESTICIDES OR OTHER HEALTH ENDANGERING MATERIALS. DOUBLE INSULATION – WHEN SERVICING, USE ONLY IDENTICAL REPLACEMENT PARTS. FOR HOUSEHOLD USE ONLY**

SAVE THESE INSTRUCTIONS

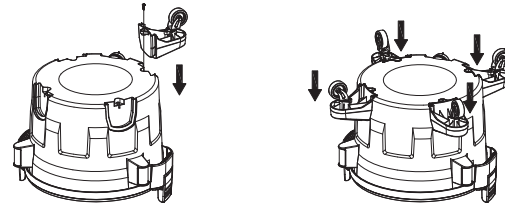
OPERATING INSTRUCTIONS

UNPACKING & SET-UP SUMMARY

1. Pull lid latches in an outward motion, remove power head and some accessories that may have been shipped in the tank.
2. Attach heavy-duty rubberized casters following the instructions in this manual.
3. Before replacing power head, refer to this manual to ensure you have the proper filters installed for your cleaning operation.
4. Replace power head, and apply pressure with thumb to each latch until it snaps tightly in place. Make sure all lid latches are clamped securely.
5. Insert the air hose end into inlet of tank.
6. Attach the extension wands to the accessory end of the hose. Apply slight pressure until fitting is tight.
7. Attach one of the cleaning accessories (depending on your cleaning requirements) on the extension wands. Twist slightly to tighten the connection.
8. Plug the cord into the wall outlet. Your cleaner is ready for use.

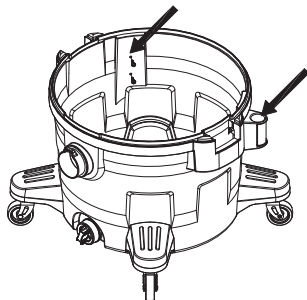
CASTER ASSEMBLY

1. Invert dust tank, take the caster to align the tank bottom sinking place. Secure with screws provided.
2. Return dust tank assembly upright.



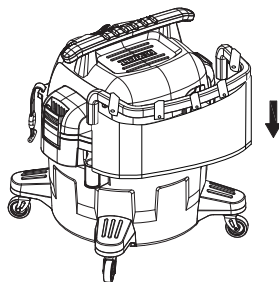
ACCESSORY BAG HOLDER BRACKET ASSEMBLY

Attach 2 accessory bag holder brackets to tank with 4 self-tapping screws provided.



ACCESSORY BAG HOLDER ASSEMBLY

Place the accessory bag holder into the hole of bracket. (See illustration).



▲ WARNING!

To reduce the risk of fire or explosion, do not operate this vac in areas with flammable gases, vapors or explosive dust in the air. Flammable gases or vapors include but are not limited to: lighter fluid, solvent-type cleaners, oil-based paints, gasoline, alcohol or aerosol sprays. Explosive dusts include but are not limited to: coal, magnesium, aluminum, and grain or gun powder. Do not vacuum explosive dust, flammable or combustible liquids or hot ashes. Do not use this vac as a sprayer for any flammable or combustible liquid. To reduce the risk of health hazards from vapors or dusts, do not vacuum toxic materials.

▲ WARNING!

The operation of any utility vac can result in foreign objects being blown into the eyes, which can result in severe eye injury. Always wear safety goggles complying with ANSI Z87.1 (or in Canada, CSA Z94.3) before starting operation.

▲ CAUTION:

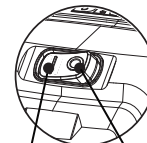
To reduce risk of hearing loss, wear ear protectors when using the vac for extended hours or when using it in a noisy area. The unit is ready for dry vacuuming or blowing. After you plug the power cord into the wall receptacle, turn the unit "ON" by pushing the switch position with 1 embossing straps is the "ON" position.



ON



OFF



ON

OFF

DRY PICK-UP

1. The filter must always be in correct position to reduce the risk of leaks and possible damage to vac. Make sure that the filter is completely covering the filter cage. Make sure there are no gaps between the filter and the lid. (See illustration). It is very important to assemble the filter to the cage without allowing any possible leaks or tears. Any leaks will allow the picked up debris to be blown out of the blowing port and back into the surrounding environment.
2. When using your vac to pick up very fine dust, it will be necessary to empty the dust tank and clean or replace the filter at more frequent intervals to maintain peak vac performance.

▲ NOTE

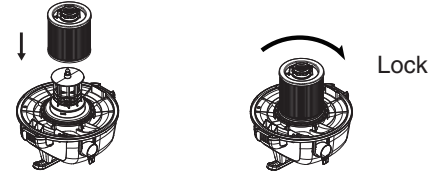
A dry filter is necessary to pick up dry material. If you use your vac to pick up dust when the filter is wet, the filter will clog quickly and be very difficult to clean. If the filter gets wet, replace it before continuing to do dry pickups.

INSTALLING THE CARTRIDGE FILTER

The cartridge filter can be used for wet or dry pick, installation is the same for both.

1. With the power head in an upside down position, slide the cartridge filter down over the lid cage, push the filter seals against the power head.
2. Turn the knob on filter retainer clockwise to tighten, locking the filter into place.
3. To remove the filter for cleaning, turn the filter knob counter clockwise till feel the tactile and auditory cue, and make sure the knob arrow align with the "Unlock" icon on the filter cap, then slide the cartridge filter off the lid cage.

4. To clean the cartridge filter, shake or brush off excess dirt or rinse (from the inside of the filter) with water, dry completely (approximately 24 hours) and re-install.

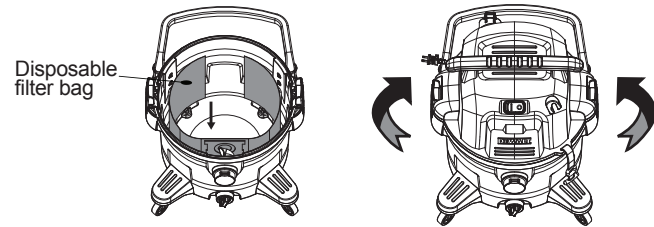


▲ NOTE

If the filter has been used for wet pick-up, it must be cleaned and dried before using for dry pick-up.

INSTALLING THE DISPOSABLE FILTER BAG

1. Slide the cardboard collar opening firmly onto the vacuum port deflector until it stops against the deflector wall.
2. Position the bag so that it is distributed around the inside of the tank.
3. Replace and secure the power head onto the tank.



WET PICK-UP

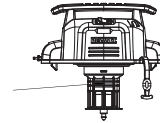
The cartridge filter must be positioned over the filter cage while vacuuming liquids. When picking up several tanks full of liquid, the cartridge filter will become saturated and misting may appear in the exhaust air. At this time, you should dry or replace the cartridge filter to eliminate the misting and possible dripping of liquid around the lid. After completing a wet pick-up job, raise the hose to drain any excess liquid into the tank before shutting off. The interior of tank should be periodically cleaned.

1. Always disconnect the plug from the wall outlet before removing the power head. Place power head in an upside down position. Remove cartridge filter by sliding it up and off the filter cage.
2. Shake excess dust off cartridge filter with a rapid up and down movement.

NOTE: WET PICK-UP ACCESSORIES SHOULD BE WASHED PERIODICALLY, ESPECIALLY AFTER PICKING UP WET, STICKY KITCHEN ACCIDENTS. THIS CAN BE ACCOMPLISHED WITH A WARM SOLUTION OF SOAP AND WATER.

3. This wet/dry vac is equipped with a float mechanism which will rise automatically to cut off the airflow when the liquid in the tank reaches a predetermined level. When this happens, turn off vac, unplug the power cord, and empty the dust tank. You will know that the float has shut the airflow off because the suction ceases and the motor noise becomes higher in pitch due to increased motor speed. The liquid capacity may vary with the rate of pickup.

IMPORTANT: To reduce the risk of damage to the vac, do not run motor with float in raised position.



Float in raised position

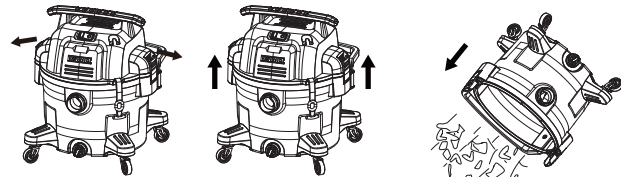
NOTE: IF ACCIDENTALLY TIPPED OVER, THE VACUUM COULD CLOSE SUCTION. IF THIS OCCURS, PLACE VAC IN UPRIGHT POSITION AND TURN SWITCH OFF. THIS WILL ALLOW THE FLOAT TO RETURN TO ITS NORMAL POSITION, AND YOU WILL BE ABLE TO CONTINUE OPERATION.

EMPTY THE TANK

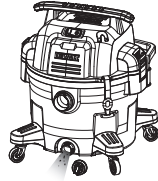
▲ WARNING!

To reduce the risk of injury from accidental starting, unplug power cord before emptying the dust tank.

1. Remove the power head assembly of the wet/dry vac by pulling outward on the lid clips located on each side of the vac. Lift off the power head assembly.
2. Dump the tank contents into the proper waste disposal container.



3. Liquids may be emptied through the tank drain. To empty, turn the Unit off and remove the plug from the wall outlet. Remove the drain cap and deposit the liquid waste contents in a suitable drain. After tank is empty, return the drain cap to its original position. To continue use, plug the cord into the wall outlet and turn the unit on.



BLOWING OPERATION

▲ **WARNING!**

Always wear safety goggles complying with ANSI Z87.1 (or in Canada CSA Z94.3) when using as a blower.

▲ **WARNING!**

To avoid injury to bystanders, keep them clear of blowing debris.

▲ **CAUTION**

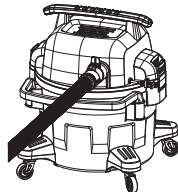
Wear a dust mask if blowing creates dust which might be inhaled.

▲ **CAUTION**

To reduce the risk of hearing loss, wear ear protectors when using the vac/blower for extended hours or when using it in a noisy area.

Your vac contains a blowing feature. It has the capability to blow sawdust and other debris. It can be used to blow dust and debris out of garages or off patios and driveways. Follow the steps below to use your vac as a blower.

1. Locate blowing port on your vac.
2. Insert one end of the 1-7/8 in. x 7 ft. hose into the blowing port.
3. Turn vac "ON".



CARE AND MAINTENANCE

FILTER REPLACEMENT

▲ **WARNING!**

To reduce the risk of injury from accidental starting, unplug power cord before changing or cleaning filter.

Your filter should be cleaned often to maintain peak vac performance.

▲ **IMPORTANT**

To avoid damage to the blower wheel and motor, always reinstall the Clean Connect™ filter before using the vac for dry pickups and wet pickups.

▲ **IMPORTANT**

After cleaning, check the filter for tears or small holes. Do not use a filter with holes or tears in it. Even a small hole can cause a lot of dust to come out of your vac. Replace it immediately.

▲ **NOTE**

Before installing the filter on the vac, clean the area of the lid so that the filter will seal against the lid and stop small particles from bypassing the filter bag. If the filter is clean and not damaged, replace it on the filter cage. If it cannot be reused, place a new filter over the filter cage.

▲ **NOTE**

Clean the filter in an open area. Cleaning should be done outdoors and not in living quarters.

▲ **WARNING!**

Do not remove filter cage and float. The float prevents water from entering the impeller and damaging the motor. The cage prevents fingers from touching the moving impeller.

CLEANING

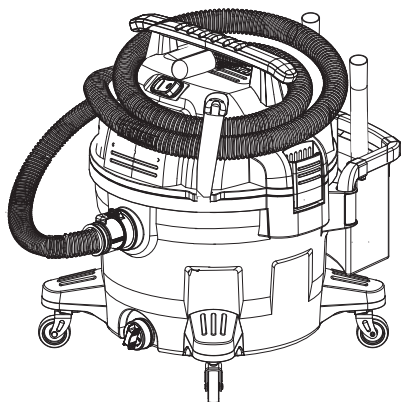
To keep your wet/dry vac looking its best, clean the outside with a cloth dampened with warm water and mild soap.

To clean the tank:

1. Dump out debris.
2. Wash tank thoroughly with warm water and mild soap.
3. Wipe out with dry cloth.

STORAGE

Before storing your vac, the dust tank should be emptied and cleaned. The cord should be wrapped and hung on the unit and the accessories should be kept in the accessory holder so they can be readily available. The vac should be stored indoors.



TROUBLESHOOTING

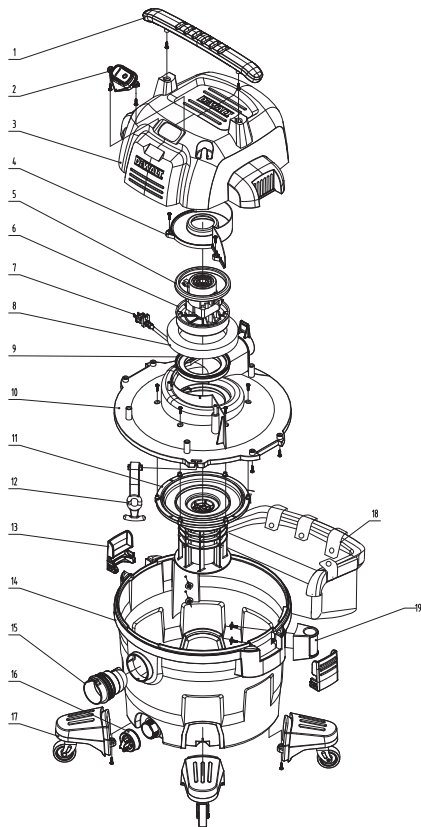
▲ WARNING!

TO REDUCE THE RISK OF INJURY FROM MOVING PARTS AND/OR ELECTRICAL SHOCK, TURN POWER SWITCH OFF AND DISCONNECT GROUNDED PLUG FROM ELECTRICAL OUTLET BEFORE PERFORMING TROUBLESHOOTING CHECKS.

Minor problems often can be fixed without calling customer service.

PROBLEM	SOLUTION
Motor does not run	Check power cord, plugs and outlet.
	Ensure the on/off switch is in the ON position (I).
Suction capacity decreases	Remove blockages in the suction nozzle, suction tube, suction hose or filters.
	Replace the paper or fleece bag.
	Check for proper installation of the filters.
	Clean or replace the filters.
	Empty canister, refer to Emptythe tank under Operating .
Vacuum stops running	Thermal overload has been tripped:
	1. Turn the vacuum off and disconnect vacuum cleaner from power source.
	2. Empty the canister, if needed.
	3. Allow the unit to cool.
	4. Plug the power cord into an appropriate outlet and turn on/off switch to the ON position (I) to test. If vacuum will not restart call 1-888-899-0146.
Dust comes out while vacuuming	Check for proper installation of the filters.
	Ensure filters are not damaged; replace if necessary.
	Ensure filter seals are in place and are secure.

EXPLODED VIEW / PARTS LIST



PART	DESCRIPTION	QTY
1	Handle	1
2	On/off Switch	1
3	Top Cover	1
4	Thermal Baffle	1
5	Motor Sealing Ring	1
6	Motor	1
7	Power Cord	1
8	Sponge	1
9	Motor Support Sealing Ring	1
10	Lid	1
11	Filter Cage Assy	1
12	Hose Strap	1
13	Lid Latche	2
14	Dust Tank	1
15	Vacuum Port	1
16	Drain Port	1
17	Heavy-duty Rubberized Caster	4
18	Accessory Bag with Holder	1
19	Bag Holder Bracket	2

WARRANTY

Alton Industry Ltd. Group

3 year Limited Warranty

This warranty covers any defects in materials or workmanship of the enclosed product. Alton Industry Ltd. Group will repair or replace any defective materials due to craftsmanship of the product. This warranty does not cover any problem caused by misuse, abuse, accidents or acts of God, such as floods or hurricanes. Consequential and incidental damages are not covered under this warranty. Coverage terminates if you sell or otherwise transfer the ownership. If you feel you have a defective product, please submit a copy of your receipt to the address below and call 1-888-899-0146 for instructions prior returning this item to the store or sending back to:

Alton Industry Ltd. Group
1031 North Raddant Rd
Batavia, Illinois 60510

We will inspect the product and contact you within 72 hours to give you the results of our inspection. We reserve the right to repair or replace the product at our discretion.

However, we may replace the product with one of similar but not exact features.

Parts and Service Information available call Alton Industry at 1-888-899-0146.

This warranty gives you specific legal rights. You may have other rights which vary from state to state.

Copyright © 2018 DeWALT.

DeWALT® and the DeWALT Logo are trademarks of the DeWALT Industrial Tool Co., or an affiliate thereof and are used under license.

The yellow/black color scheme is a trademark for DeWALT power tools & accessories.

Copyright © 2018 DeWALT.

DeWALT® y el logotipo de DeWALT son marcas comerciales de DeWALT Industrial Tool Co., o una filial del mismo y se usan bajo licencia.

El gráfico de color negro y amarillo es una marca registrada para las herramientas eléctricas y los accesorios de DeWALT.

Copyright © 2018 DeWALT.

DeWALT® et le logo DeWALT sont des marques de commerce de DeWALT Industrial Tool Co. ou d'une société affiliée à cette dernière et sont utilisés sous licence.

L'agencement de couleurs jaune et noir est une marque de commerce des outils électriques et accessoires DeWALT.

TABLA DE CONTENIDO

Especificaciones.....	14
Contenido del paquete.....	15
Información de seguridad.....	16
Instrucciones de funcionamiento.....	19
Cuidado y mantenimiento.....	23
Solución de problemas.....	24
Vista detallada y lista de piezas.....	24
Garantía.....	26

ESPECIFICACIONES DEL PRODUCTO

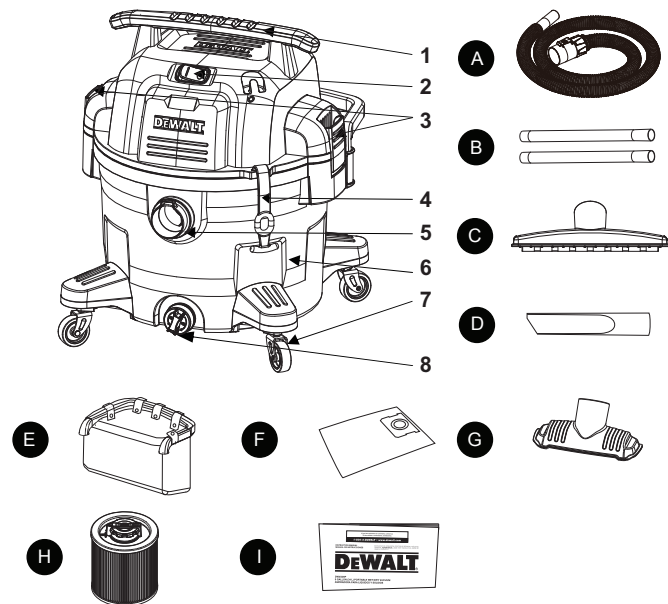
Potencia	120 V / 60 Hz / 10 A
Motor	de una sola fase
Capacidad del tanque	34 litros
Manguera	4,76 cm x 2,1 m
Cable de alimentación	SJTW18AWG / 3 m largo

▲ADVERTENCIA:

Use solo extensiones eléctricas calificadas para uso en exteriores. Las extensiones eléctricas en malas condiciones o de tamaño muy pequeño pueden constituir peligro de incendios y descargas eléctricas. Para reducir el riesgo de estos peligros al usar una extensión eléctrica, asegúrese de que esta esté en buenas condiciones y de que la conexión no entre en contacto con líquidos. Para mantener la pérdida de energía al mínimo, use la siguiente tabla para escoger el tamaño de cable mínimo de la extensión eléctrica.

Largo de la extensión eléctrica	Calibre A.W.G.
0 a 15,24 m	14
15,24 a 30,48 m	12

CONTENU DE L'EMBALLAGE



QUINCAILLERIE INCLUSE

AA



Roulette
Qté. 4

BB



Vis autotaraudeuse
ST3,9 x 16F
Qté. 8

CC



Support
Qté. 2

Descripción más limpia

Pièce	Descripción
1	Manejar
2	Interruptor
3	Dos tapa pestillo
4	Gancho para cable eléctrico
5	De vacío de puerto
6	Depósito de polvo
7	Ruedas de goma reforzadas
8	Conexión de purga

Pièce	Descripción	Referencia	Cantidad
A	1-7/8" Tubo	DXVA19-2558	1
B	Tubo extensión	DXVA19-1200A	2
C	Boquilla para pisos	DXVA19-1900D	1
D	Pico esquinero	DXVA19-1400	1
E	Almacenamiento de accesorios	DXVA19-5156	1
F	Desechables bolsa de polvo	DXVA19-4101	1
G	Boquilla de utilidad	DXVA19-1300	1
H	Filtre de Clean-Lock™	DXVC6910	1
I	Manuel de instrucciones		1

Definiciones: Normas de seguridad

Las siguientes definiciones describen el nivel de gravedad de cada advertencia. Lea el manual y preste atención a estos símbolos.

⚠ PELIGRO: indica una situación de peligro inminente que, si no se evita, **provocará la muerte o lesiones graves.**

⚠ ADVERTENCIA: Indica una situación de peligro potencial que, si no se evita, **podría provocar la muerte o lesiones graves**

⚠ ATENCIÓN: Indica una situación de peligro potencial que, si no se evita, **puede provocar lesiones leves o moderadas.**

AVISO: Se refiere a una práctica **no relacionada a lesiones corporales** que de no evitarse **puede** resultar en **daños a la propiedad.**

INSTRUCCIONES DE SEGURIDAD IMPORTANTES

⚠ ADVERTENCIA: Cuando utilice aparatos eléctricos, siempre siga instrucciones básicas de seguridad para reducir el riesgo de incendio, descarga eléctrica y lesiones corporales, incluyendo las siguientes:

ANTES DE UTILIZAR ESTE APARATO, LEA Y SIGA TODAS LAS INSTRUCCIONES.

⚠ ADVERTENCIA: Para reducir el riesgo de descarga eléctrica, no exponer a la lluvia. Almacenar bajo techo.

- No exponga el aparato a la lluvia. Almacénelo en el interior. Esto reducirá el riesgo de descargas eléctricas.

- No permita que se juegue con él. Preste especial atención si el aparato es utilizado por o cerca de niños.
- **SÓLO** use este aparato como lo describe el manual. Use sólo los accesorios DEWALT recomendados.
- No use este aparato si su cable o enchufe están dañados. Si el aparato no funciona debidamente, o si se ha caído, dañado, dejado a la intemperie, o si se ha caído en agua, devuélvalo a un centro de servicio.
- No tire del cable, levante el aparato por el cable, use el cable como un mango, cierre la puerta si el cable está en el umbral, o tire del cable entorno a bordes o esquinas afilados. No atropelle el cable con el aparato. Mantenga el cable alejado de superficies calientes.
- No tire del cable para desenchufar el aparato. Para desenchufarlos, tome el enchufe con firmeza, no el cable.
- No toque el enchufe o el aparato si tiene las manos mojadas.
- No inserte ningún objeto por las aperturas del aparato. No utilice este aparato si tiene alguna apertura bloqueada; manténgalo sin polvo, pelusa, pelo o cualquier otra cosa que podría reducir el flujo de aire.
- Mantenga su cabello, vestimenta suelta, dedos y toda parte de su cuerpo alejados de las aperturas y piezas móviles del aparato.
- Apague todos los controles antes de desenchufar el aparato.
- Tenga especial cuidado cuando lo use para limpiar en escaleras.
- No use el aparato para recoger líquidos inflamables o combustibles, como gasolina, ni lo use en lugares donde exista la presencia de líquidos inflamables o combustibles.
- Es posible que se produzcan descargas estáticas en áreas secas o cuando la humedad relativa del aire sea baja. Esto es solo pasajero y no afecta la utilización de la aspiradora. Para reducir la frecuencia de las descargas estáticas, agregue humedad al aire

con un humidificador instalado de consola o use la manguera antiestática (estándar en algunos modelos).

- Para evitar una combustión espontánea, vacíe el recipiente después de cada uso.

GUARDE ESTAS INSTRUCCIONES

REGLAS DE SEGURIDAD ADICIONALES

- No recoja nada que se esté quemando o que esté humeando, como cigarrillos, fósforos o cenizas calientes.
- No use para aspirar materiales combustibles explosivos, como carbón, grano u otro material combustible finamente dividido.
- No utilice para aspirar materiales peligrosos, tóxicos o cancerígenos, tales como asbesto o pesticida.
- Nunca recoja líquidos explosivos (como gasolina, combustible diesel, gasóleo, diluyente de pintura, etc.), ácidos o solventes.
- No utilice la aspiradora sin los filtros bien puestos, excepto según se describe en **Aplicaciones de recogida en mojado**.
- Alguna madera contiene preservantes que pueden ser tóxicos. Tenga especial cuidado para prevenir la inhalación y el contacto con la piel cuando trabaje con estos materiales. Solicite y siga cualquier información de seguridad que su proveedor de materiales ponga a su disposición.
- No use la aspiradora como escalera de mano.
- No coloque objetos pesados sobre la aspiradora.

- **Los hilos del alargador deben ser de un calibre apropiado (AWG o American Wire Gauge) para su seguridad.** Mientras menor sea el calibre del hilo, mayor la capacidad del cable. Es decir, un hilo calibre 16 tiene mayor capacidad que uno de 18. Un cable de un calibre insuficiente causará una caída en la tensión de la línea dando por resultado una pérdida de energía y sobrecalentamiento. Cuando se utilice más de un alargador para completar el largo total, asegúrese que los hilos de cada alargador tengan el calibre mínimo. La tabla siguiente muestra el tamaño correcto a utilizar. Si tiene dudas sobre cuál calibre usar, use un calibre mayor. Cuanto más pequeño sea el número del calibre, más resistente será el cable.
- Si utilizará un alargador en el exterior, deberá tener marcado el sufijo W-A ó W luego de la designación del tipo de cable. Por ejemplo – SJTW-A para indicar que es aceptable para usar afuera.

Calibre mínimo para cables de alimentación						
Amperaje		Voltios	Largo total del cordón en metros (pies)			
			120 V	15,2 (50)	30,5 (100)	45,7 (150)
		240 V	15,2 (50)	30,5 (100)	61,0 (200)	91,4 (300)
Más de	No más de	AWG				
0	6		18	16	16	14
6	10		18	16	14	12
10	12		16	16	14	12
12	16		14	12	No recomendado	

⚠ ADVERTENCIA: Siempre use protección auditiva personal en conformidad con ANSI S12.6 (S3.19) durante el uso de este aparato. Bajo algunas condiciones y duraciones de uso, el

ruido producido por este producto puede contribuir a la pérdida auditiva.

⚠ ADVERTENCIA: SIEMPRE utilice gafas de seguridad. Los anteojos de diario NO SON gafas de seguridad. Utilice también careta o mascarilla si se produce polvo al operar en el área. **PORTE SIEMPRE EQUIPO DE SEGURIDAD CERTIFICADO:**

- Protección ocular ANSI Z87.1 (CAN/CSA Z94.3),
- Protección auditiva ANSI S12.6 (S3.19),
- Protección respiratoria NIOSH/OSHA/MSHA.

⚠ ADVERTENCIA: Algunos tipos de polvo contienen químicos que el estado de California sabe producen cáncer, defectos de nacimiento y otros tipos de daño reproductivo. Algunos ejemplos de estos químicos son:

- Compuestos de fertilizantes,
- Compuestos de insecticidas, herbicidas y pesticidas ,
- Arsénico y cromo proveniente de madera tratada químicamente.

Para reducir su exposición a estos químicos, use equipo de seguridad aprobado tal como máscaras antipolvo diseñadas especialmente para filtrar partículas microscópicas.

Para su conveniencia y seguridad, su aspiradora tiene las siguientes etiquetas.

EN LA CAJA DEL MOTOR:

⚠ ADVERTENCIA:

- **PARA REDUCIR EL RIESGO DE FUEGO, CHOQUE ELÉCTRICO O LESIONES: LEA TODAS LAS INSTRUCCIONES ANTES DE USAR EL APARATO. NO DEJE EL APARATO CONECTADO. DESCONÉCTELO DE LA TOMA DE CORRIENTE CUANDO NO**

LO ESTÉ USANDO Y ANTES DE HACERLE ALGÚN SERVICIO. NO EXPONGA A LA LLUVIA, ALMACÉNELO EN EL INTERIOR. NO UTILICE CON EL CABLE O EL ENCHUFE DAÑADO. MANTENGA EL CABLE ALEJADO DE SUPERFICIES CALIENTES. NO LO UTILICE PARA ASPIRAR LÍQUIDOS COMBUSTIBLES O FLAMABLES; COMO GASOLINA, NI LO USE EN ÁREAS DONDE PUEDAN ESTAR PRESENTED. NO ASPIRE NADA QUE ESTÉ ENCENDIDO O FUMÁNDOSE, COMO CIGARROS, CERILLOS O CENIZAS CALIENTES. NO ASPIRE TÓXICOS, CANCERÍGENOS, COMBUSTIBLE U OTROS MATERIALES PELIGROSOS COMO ASBESTO, PLOMO, PESTICIDAS U OTROS MATERIALES QUE ATENTEN CONTRA LA SALUD. DOBLE INSULATION- AL DAR SERVICIO, SÓLO UTILICE PIEZAS DE REPUESTO IDÉNTICAS. SÓLO PARA USO DOMÉSTICO.

GUARDE ESTAS INSTRUCCIONES

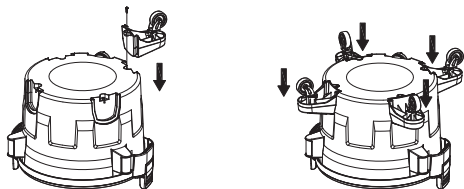
INSTRUCCIONES DE FUNCIONAMIENTO

DESEMBALAJE Y CONFIGURACIÓN

1. Libere la traba de la tapa con un movimiento hacia el exterior, retire la tapa y algunos accesorios que podrían expedirse en el tanque.
2. Ensamble las ruedas siguiendo las instrucciones en este manual.
3. Antes de colocar la tapa con el motor, consulte este manual para asegurarse de que tiene los filtros apropiados instalados para la limpieza.
4. Coloque la tapa con el motor y presione con el pulgar en cada traba hasta que cierre firmemente en su lugar. Asegúrese de que todas las trabas sujetan firmemente la tapa.
5. Inserte el extremo de la manguera de aire en la entrada del tanque.
6. Conecte las extensiones al extremo de la manguera. Aplicar presión ligera hasta que la conexión este fija.
7. Conecte uno de los accesorios para limpieza (según sus necesidades de limpieza) en el extremo libre de la extensión.
8. Conecte el cable eléctrico en el tomacorriente de pared. Su aspiradora esta lista para usarr.

MONTAJE DE LA RUEDA

1. Voltear al revés el tanque y tome la rueda a modo que se centre a lo que está undido. Aseguré con los tornillos.
2. Volver conjunto de depósito de polvo en posición vertical.



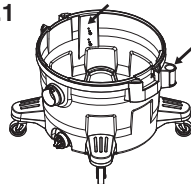
MONTAJE DEL SOPORTE DEL SOPORTE DE ACCESORIOS

Sujete 2 soportes del soporte de la bolsa de accesorios al tanque con 4 tornillos autorroscantes provistos. (Consulte la ilustración F.1).

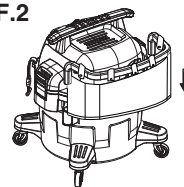
MONTAJE DEL SOPORTE DE ACCESORIOS

Coloque el soporte de la bolsa de accesorios en el orificio del soporte. (Consulte la ilustración F.2).

F.1



F.2



▲ ADVERTENCIA:

Inflamables o polvo explosivo en el aire. Los gases o vapores inflamables incluyen, entre otros: Líquidos de encendedores, limpiadores tipo solvente, pinturas a base de aceite, gasolina, alcohol y rociadores en aerosol. Los polvos explosivos incluyen, entre otros: Carbón, magnesio, aluminio y pólvora o pólvora cilíndrica. No aspire polvos explosivos, líquidos inflamables o combustibles ni cenizas calientes. No use esta aspiradora como rociador de líquidos inflamables o combustibles. Para reducir el riesgo de peligros para la salud debido a vapores o polvo, no aspire materiales tóxicos.

▲ ADVERTENCIA:

El funcionamiento de cualquier vac de la utilidad puede resultar en objetos extraños siendo soplado en los ojos, lo que puede resultar en lesiones oculares graves. Siempre use gafas de seguridad que cumplan con ANSI Z87.1 (o en Canadá, CSA Z94.3) antes de comenzar la operación.

⚠ PRECAUCIÓN:

Para reducir el riesgo de pérdida auditiva, use protectores auriculares cuando usar el vac por horas extendidas o al usarlo en un área ruidosa. La unidad está lista para aspirar o soplar en seco. Después de conectar el El cable de alimentación en el receptáculo de la pared, encienda la unidad. La posición del interruptor con 1 cintas de gofrado es la posición "ON".



APAGADO



ENCENDIDO



ENCENDIDO APAGADO

ASPIRADO EN SECO

1. El filtro debe estar siempre en la posición correcta para reducir el riesgo de fugas y posibles daños a la aspiradora. Asegúrese de que el filtro esté cubriendo completamente la caja del filtro y que el aro de la abrazadera esté lo más cerca posible de la tapa. Asegúrese de que no haya espacios entre el filtro y la tapa. (Consulte la ilustración). Es muy importante ensamblar el filtro a la caja sin dejar ninguna fuga o gotera. Cualquier fuga permitirá que la suciedad aspirada sea soplada hacia fuera del puerto de soplado y de vuelta en el aire.
2. Cuando use su aspiradora para aspirar polvo fino, será necesario vaciar el tanque para polvo y limpiar o reemplazar el filtro en intervalos más frecuentes para mantener el máximo rendimiento de la aspiradora.

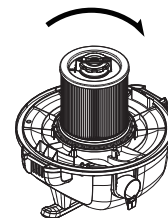
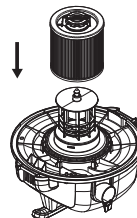
⚠ NOTA

Se necesita un filtro seco para recoger el material seco. Si usa la aspiradora para aspirar polvo cuando el filtro está mojado, este se obstruirá rápidamente y la limpieza será muy difícil. Si el filtro se moja, reemplácelo antes de continuar aspirando.

INSTALACIÓN DEL FILTRO DE CARTUCHO

El filtro de cartucho puede utilizarse para la aspiración de materiales líquidos o sólidos; la instalación es la misma para ambos.

1. Con la cubierta del depósito en posición invertida, deslice el filtro de cartucho hacia abajo sobre el alojamiento de la tapa, empujando hasta que el filtro se selle contra la cubierta.
2. Gire la perilla del retenedor del filtro en sentido horario para apretar, bloqueando el filtro en su lugar.
3. Para quitar el filtro para la limpieza, gire la perilla del filtro en sentido contrario a las agujas del reloj hasta sentir la señal táctil y auditiva y asegúrese de que la flecha del botón se alinee con el icono "Desbloquear" de la tapa del filtro y deslice el cartucho de la jaula.
4. Para limpiar el filtro de cartucho, retire la suciedad sacudiendo, cepillando o enjuagándolo (desde el interior hacia fuera del filtro) con agua, deje que se seque por completo (aproximadamente 24 horas) antes de volver a instalarlo.



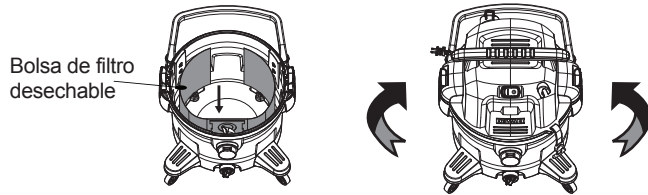
Bloquear

NOTA:

Si el filtro ha sido utilizado para aspiración de líquidos, se deberá limpiar y dejar secar antes de utilizarlo para la aspiración de sólidos.

INSTALACIÓN DE LA BOLSA DE FILTRO DESECHABLE

1. Deslice la abertura del collar de cartón firmemente sobre el deflector del puerto de aspiración, hasta que se detenga contra la pared del deflector.
2. Coloque la bolsa de modo que se distribuya en todo el interior del tanque.
3. Vuelva a colocar y asegurar el cabezal en el tanque.

**FUNCIONAMIENTO DE ASPIRACIÓN DE LÍQUIDOS**

El manguito de cartucho debe colocarse sobre el ajustador de la bolsa mientras esté aspirando líquido, el manguito de cartucho se saturará y podrá aparecer un rocío en el aire. Para entonces, usted deberá secar el manguito de cartucho o cambiarlo el manguito de líquido alrededor de la cubierta. Después de terminar de aspirar líquidos, levante la manguera para drenar cualquier exceso de líquido en el tanque antes de apagarla. Manguito debe limpiarse periódicamente como se describe en los siguientes pasos:

1. Siempre desconecte el enchufe del receptáculo de pared antes de quitar la cubierta del tanque. Coloque la cubierta del tanque.

Coloque la cubierta del tanque al revés. Quite el manguito deslizando hacia arriba y fuera del ajustador interno de la bolsa.

2. Sacuda el polvo sobrante del manguito con un rápido movimiento de arriba a abajo.

NOTA: LOS ACCESORIOS PARA LA ASPIRACIÓN DE SÓLIDOS DEBEN LAVARSE PERIÓDICAMENTE, ESPECIALMENTE DESPUÉS DE ASPIRAR LÍQUIDOS, DERRAMES PEGAJOSOS EN LA COCINA. ESTO PUEDE IR ACOMPAÑADO DE UNA SOLUCIÓN TIBIA DE AGUA Y JABÓN. DESPUÉS DE COMPLETAR LA ASPIRACIÓN DE LÍQUIDOS, LEVANTE LA MANGUERA SOBRE LA ASPIRADORA PARA PERMITIR QUE CUALQUIER LÍQUIDO EN LA MANGUERA DRENE HACIA EL TANQUE ANTES DE APAGARLA. EL INTERIOR DEL TANQUE DEBE LIMPIARSE PERIÓDICAMENTE.

3. Esta aspiradora para seco/mojado está equipada con un mecanismo de flotador que se eleva automáticamente para cortar el flujo de aire cuando el líquido en el tanque alcanza un nivel predeterminado. Cuando ocurra esto, apague la aspiradora, desenchufe el cable de alimentación y vacíe el tanque para polvo. Sabrá que el flotador ha cerrado el flujo de aire y que la succión se detiene y el ruido del motor se vuelve más agudo debido a la disminución de la velocidad del motor. La capacidad de líquido puede variar según la cantidad que se aspire.

▲ IMPORTANTE:

Para reducir el riesgo de daños a la aspiradora, no haga funcionar el motor con el flotador en la posición elevada.

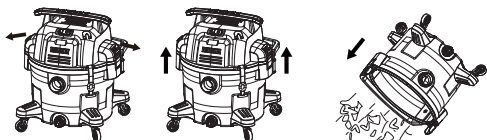
VACIADO DEL TANQUE

NOTA: SI SE ACCIDENTALMENTE SE TIRA, EL VACÍO PODRÍA CERRAR LA SUCCIÓN. Si esto ocurre, coloque VAC EN POSICIÓN ACTUAL Y DESLIGUE EL INTERRUPTOR. ESTA VOLUNTAD PERMITIR AL FLOTADOR VOLVER A SU POSICIÓN NORMAL, Y USTED PODRÁ CONTINUAR LA OPERACIÓN.

▲ ADVERTENCIA:

Para reducir el riesgo de lesiones debido a arranques accidentales, desenchufe el cable de alimentación antes vaciar l tanque para polvo.

1. Retire el ensamble del cabezal de alimentación de la aspiradora para seco/mojado jalando hacia fuera los sujetadores de la tapa ubicados a cada lado de la aspiradora. Retire el ensamble del cabezal de alimentación.
2. Vacíe el contenido del tanque en el contenedor de residuos adecuado.



3. Los líquidos pueden ser vaciados en el tanque desagüe. Para vaciar, apague la unidad y Enchufe de la toma de corriente. Eliminar el Drenaje y depositar los residuos líquidos En un drenaje adecuado. Después de que el tanque esté empty, devuelva el tapón de drenaje a suposición. Para continuar con el uso, enchufe el cable en la toma de corriente y encienda la unidad.



FUNCIONAMIENTO DE SOPLADO

▲ ADVERTENCIA:

Siempre use gafas de seguridad que cumplan con ANSI Z87.1 (o en Canadá CSA Z94.3) cuando utilice como soplador.

▲ ADVERTENCIA:

Para evitar lesiones a los transeúntes, manténgalos alejados de la suciedad soplada.

▲ PRECAUCIÓN:

Use una mascarilla antipolvo si el soplado provoca polvo que pueda ser inhalado.

▲ PRECAUCIÓN:

Para reducir el riesgo de pérdida auditiva, use protectores para los oídos cuando use la aspiradora/soplador por varias horas o en un entorno bullicioso.

Su aspiradora cuenta con una característica de soplado. Tiene la capacidad de soplar aserrín y otros residuos. Puede usarse para soplar polvo y suciedad de garajes o de patios y entradas de garaje. Siga los siguientes pasos para usar su aspiradora como soplador.

1. Ubique el puerto de soplado en su aspiradora.
2. Inserte un extremo de la manguera de 1-7/8 in. x 7 ft. (4,76 cm x 2,1 m) en el puerto de soplado.
3. Encienda la aspiradora.



CUIDADO Y MANTENIMIENTO

REEMPLAZO DEL FILTRO

▲ ADVERTENCIA:

Para reducir el riesgo de lesiones debido a arranques accidentales, desenchufe el cable de alimentación antes de cambiar o limpiar el filtro. Debe limpiar el filtro a menudo para mantener el máximo rendimiento de la aspiradora.

▲ IMPORTANTE:

Para evitar daños en la rueda del ventilador y en el motor, vuelva a instalar siempre el filtro de Clean Connect™ antes de usar la aspiradora para pastillas secas y pastillas mojadas.

▲ IMPORTANTE:

Después de limpiar, revise si el filtro tiene desgarraduras u orificios pequeños. No use la aspiradora si un filtro tiene orificios o desgarraduras. Incluso un pequeño orificio puede causar que salga mucho polvo de su aspiradora. Reemplácelo inmediatamente.

▲ NOTA:

Antes de instalar el filtro en la aspiradora, limpie el área de la tapa para que el filtro se cierre contra la tapa y evite que las partículas pequeñas salgan de la bolsa del filtro. Si el filtro está limpio y no está dañado, reemplácelo en la jaula del filtro. Si no puede reutilizarse, coloque un nuevo filtro sobre la jaula del filtro.

▲ NOTA:

Limpiar el filtro en un área abierta. La limpieza se debe efectuar en exteriores y no en áreas habitadas.

▲ ADVERTENCIA:

No retire la caja del filtro ni el flotador. El flotador evita que el agua ingrese al propulsor y que dañe el motor. La caja evita que

los dedos toquen el propulsor en movimiento.

LIMPIEZA

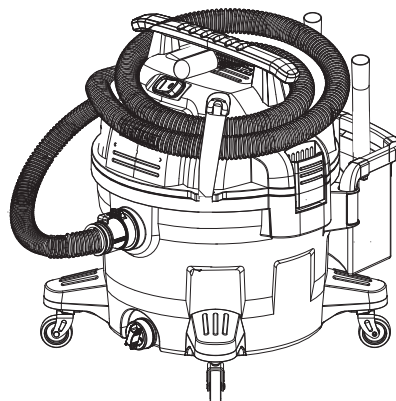
Para mantener su aspiradora para seco/mojado con una apariencia perfecta, limpie la superficie exterior con un paño humedecido con agua tibia y jabón suave.

Para limpiar el tanque:

1. Retire los desechos.
2. Lave el tanque completamente con agua tibia y jabón suave.
3. Limpie con un paño seco.

ALMACENAJE

Antes de almacenar su aspiradora, el tanque para polvo debe vaciarse y limpiarse. El cable debe enrollarse y colgarse en la unidad y los accesorios deben guardarse en el porta accesorios para que estén a la mano. La aspiradora se debe almacenar en interiores.



SOLUCIÓN DE PROBLEMAS

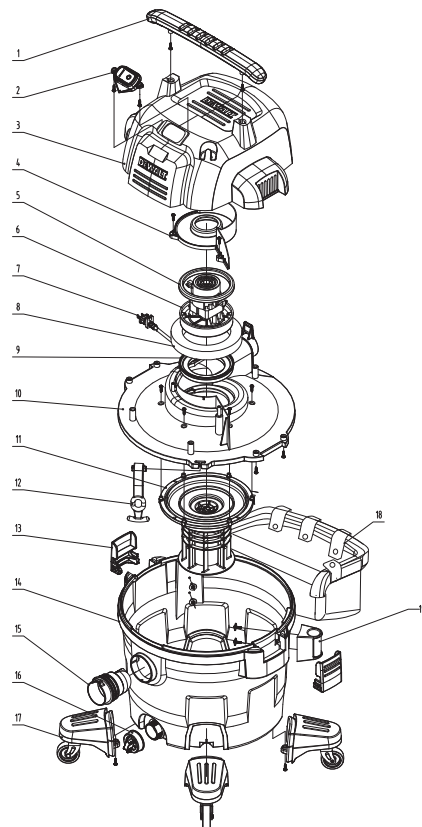
▲ ADVERTENCIA!

PARA REDUCIR EL RIESGO DE LESIONES CAUSADAS POR LAS PIEZAS EN MOVIMIENTO Y/O DESCARGAS ELÉCTRICAS, COLOQUE EL INTERRUPTOR DE ENCENDIDO EN LA POSICIÓN DE APAGADO Y DESCONECTE EL ENCHUFE CON PUESTA A TIERRA DEL TOMACORRIENTE ANTES DE PROCEDER CON LA SOLUCIÓN DE PROBLEMAS.

Los problemas menores se pueden arreglar generalmente sin llamar al Servicio al Cliente.

PROBLEMA	SOLUCIÓN
El motor no funciona	<p>Compruebe el cable de alimentación, los enchufes y la toma de corriente.</p> <p>Asegúrese de que el interruptor de encendido / apagado esté en la posición ON posición (I)</p>
La capacidad de succión disminuye	<p>Quitar los bloqueos en la boquilla de succión, Tubo de aspiración, manguera de succión o filtros.</p> <p>Reemplace la bolsa de papel o de lana.</p> <p>Compruebe la correcta instalación de los filtros.</p> <p>Limpie o reemplace los filtros.</p>
	<p>Bote vacío, consulte <i>Vaciar el tanque en Operación.</i></p>
	<p>Se ha disparado la sobrecarga térmica:</p> <ol style="list-style-type: none"> 1. Apague la aspiradora y desconéctela Aspirador de la fuente de energía. 2. Vacíe el recipiente, si es necesario. 3. Deje que la unidad se enfríe. 4. Enchufe el cable de alimentación en un Salida y encienda el interruptor de encendido / apagado posición(I) Probar. Si el vacío no Reiniciar llamada 1-888-899-0146.
	<p>Compruebe la correcta instalación de los filtros.</p> <p>Asegúrese de que los filtros no estén dañados; Reemplazar si es necesario.</p> <p>Asegúrese de que los sellos del filtro estén en su lugar y estén seguros.</p>
El polvo sale mientras se aspira	

VISTA DETALLADA / LISTA DE PIEZAS



Artículo	Descripción	Cantidad
1	Mango de transporte	1
2	Botón Interruptor	1
3	Cubierta superior	1
4	Deflector térmico	1
5	Anillo de sellado del motor	1
6	Motor	1
7	Cable de alimentación	1
8	Espanja	1
9	Soporte motor anillo de cierre	1
10	Tapa	1
11	Caja del filtro	1
12	Gancho para cable eléctrico	1
13	Segura de la tapa	2
14	Depósito de polvo	1
15	De vacío del puerto	1
16	Puerto de drenaje	1
17	Rueda de goma reforzada	4
18	Bolsa de accesorios con soporte	1
19	Soporte para portabolas	2

GARANTÍA

Alton Industry Ltd. Group

Garantía Limita de 3 año

Esta garantía cubre cualquier defecto en materiales o habilidad del producto incluido. Alton el Grupo de Industrias reparará o sustituirá cualquier material defectuoso debido a la artesanía del producto. Esta garantía no cubre ningún problema causado por el mal uso, el abuso, accidentes o actos del dios, como inundaciones o huracanes. También daños y perjuicios consiguientes y secundarios no son cubiertos conforme a esta garantía. La cobertura se termina si usted vende o de otra manera transfiere la propiedad.

Si usted siente que usted tiene un producto defectuoso por favor envíe el producto atrás, el franqueo pagado con una copia de su recibo para dirigirse debajo. Por favor llámese 1-888-899-0146 para instrucciones antes del devolver este artículo a la tienda o el enviar atrás:

Alton Industry Ltd. Group

1031 North Raddant Rd

Batavia, Illinois 60510

Inspeccionaremos el producto y nos pondremos en contacto con usted dentro de 72 horas para darle los resultados de nuestra inspección. Reservamos el derecho de reparar o sustituir el producto en nuestra discreción. Sin embargo, podemos sustituir el producto por uno de similar, pero no rasgos exactos.

Partes e Información de Servicio disponible llamada Alton Industries at 1-888-899-0146.

Esta garantía le da derechos específicos legales, y usted puede tener también otros derechos que varían de estado al estado.

Copyright © 2018 DeWALT.
DeWALT® and the DeWALT Logo are trademarks of the DeWALT Industrial Tool Co., or an affiliate thereof and are used under license.

The yellow/black color scheme is a trademark for DeWALT power tools & accessories.

Copyright © 2018 DeWALT.
DeWALT® y el logotipo de DeWALT son marcas comerciales de DeWALT Industrial Tool Co., o una filial del mismo y se usan bajo licencia.

El gráfico de color negro y amarillo es una marca registrada para las herramientas eléctricas y los accesorios de DeWALT.

Copyright © 2018 DeWALT.
DeWALT® et le logo DeWALT sont des marques de commerce de DeWALT Industrial Tool Co. ou d'une société affiliée à cette dernière et sont utilisés sous licence.

L'agencement de couleurs jaune et noir est une marque de commerce des outils électriques et accessoires DeWALT.