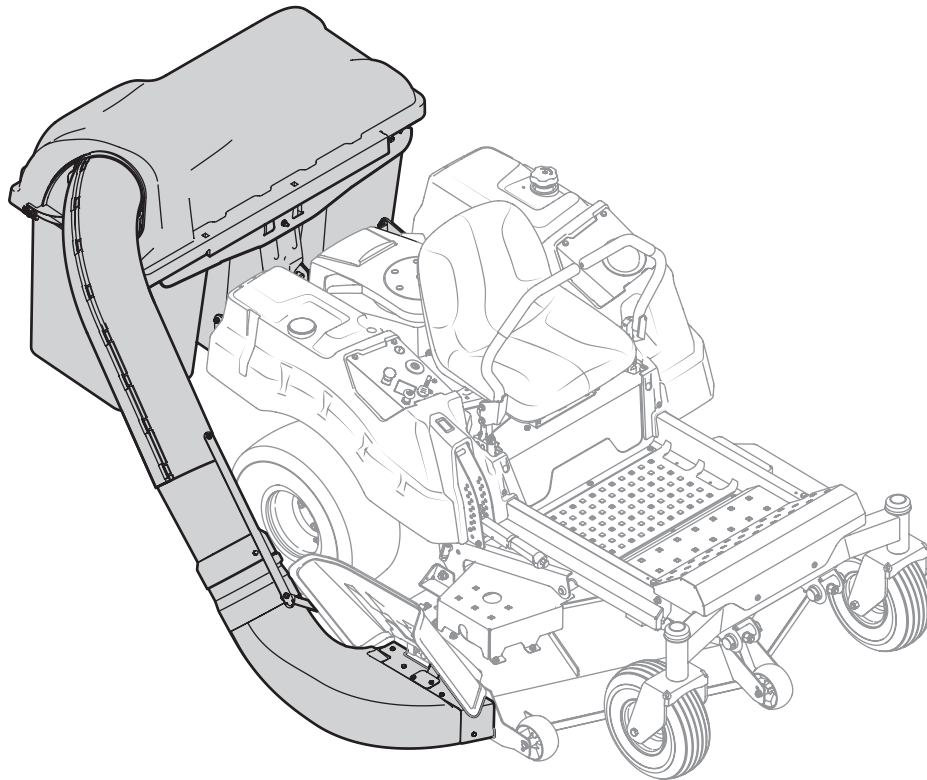


---

# *Cub Cadet.*

## **OPERATOR'S MANUAL**

---



### **Triple Rear Bagger — 19A70040100**

#### **⚠ WARNING**

**READ AND FOLLOW ALL SAFETY RULES AND INSTRUCTIONS IN THIS MANUAL  
BEFORE ATTEMPTING TO OPERATE THIS MACHINE.  
FAILURE TO COMPLY WITH THESE INSTRUCTIONS MAY RESULT IN PERSONAL INJURY.**

---

**CUB CADET LLC, P.O. BOX 361131 CLEVELAND, OHIO 44136-0019**

---

## Thank You

Thank you for purchasing a Cub Cadet Bagging attachment. It was carefully engineered to provide excellent performance when properly operated and maintained.

**IMPORTANT:** If installing this bagging kit on a ZF-L (lap bar) unit, bumper adaptor kit 19A70046100 is required and must be installed prior to attempting to install this bagger. See the retailer in which you purchased this bagger to purchase this adapter kit.

Please read this entire manual prior to operating the equipment. It instructs you how to safely and easily set up, operate and maintain your machine. Please be sure that you, and any other persons who will operate the machine, carefully follow the recommended safety practices at all times. Failure to do so could result in personal injury or property damage.

All information in this manual is relative to the most recent product information available at the time of printing. Review this manual frequently to familiarize yourself with the machine, its features and operation. Please be aware that this Operator's Manual may cover a range of product specifications for various models.

Characteristics and features discussed and/or illustrated in this manual may not be applicable to all models. We reserve the right to change product specifications, designs and equipment without notice and without incurring obligation.

If you have any problems or questions concerning the machine, phone your local Cub Cadet dealer or contact us directly. Cub Cadet's Customer Support telephone numbers, website address and mailing address can be found on this page. We want to ensure your complete satisfaction at all times.

Throughout this manual, all references to *right* and *left* side of the machine are observed from the operating position

## Table of Contents

<b>Safe Operation Practices</b> .....	<b>3</b>	<b>Operation</b> .....	<b>15</b>
<b>Carton Contents &amp; Hardware Packs</b> .....	<b>6</b>	<b>Parts List</b> .....	<b>16</b>
<b>Assembly &amp; Installation</b> .....	<b>8</b>	<b>Warranty</b> .....	<b>Back Cover</b>

## Record Product Information

Before setting up and operating your new equipment, please locate the model plate and record the information in the area provided to the right. You can locate the model plate by looking on the outside of the bagger cover. The model plate contains the unit's model and serial numbers. This information will be necessary, should you seek technical support via our web site, Customer Support Department, or with a local authorized service dealer.

### MODEL NUMBER

--	--	--	--	--	--	--	--	--	--	--	--

### SERIAL NUMBER

--	--	--	--	--	--	--	--	--	--	--	--

## Customer Support

Please register your product on our website, [www.cubcadet.com](http://www.cubcadet.com).

If you have difficulty assembling this product or have any questions regarding the controls, operation, or maintenance of this machine, you can seek help from the experts. Choose from the options below:

- ◇ Visit us on the web at [www.cubcadet.com](http://www.cubcadet.com)



See How-to Maintenance and Parts Installation Videos at [www.cubcadet.com/tutorials](http://www.cubcadet.com/tutorials)

- ◇ Call a Customer Support Representative at (800) 965-4CUB
- ◇ Locate your nearest Cub Cadet Dealer at (877) 282-8684
- ◇ Write to Cub Cadet LLC • P.O. Box 361131 • Cleveland, OH • 44136-0019



**WARNING!** This symbol points out important safety instructions which, if not followed, could endanger the personal safety and/or property of yourself and others. Read and follow all instructions in this manual before attempting to operate this machine. Failure to comply with these instructions may result in personal injury.

When you see this symbol. **HEED ITS WARNING!**



**DANGER!** This attachment was built to be used according to the safe operation practices in this manual. Carelessness or error on the part of the operator can result in serious injury. Mowers are capable of amputating hands and feet and throwing objects. Failure to observe the following safety instructions as well as the instructions provided with your mower, could result in serious injury or death.

## General Operation

1. Read, understand, and follow all instructions on your equipment and in their manuals before attempting to assemble and operate. Keep this manual in a safe place for future and regular reference and for ordering replacement parts.
2. To help avoid blade contact or a thrown object injury, keep bystanders, helpers, children and pets at least 75 feet from the mower while it is in operation. Stop machine if anyone enters the area.
3. Thoroughly inspect the area where the equipment is to be used. Remove all stones, sticks, wire, bones, toys, and other foreign objects which could be picked up and thrown by the blade(s). Thrown objects can cause serious personal injury.
4. Always wear safety glasses or safety goggles during operation and while performing an adjustment or repair to protect your eyes. Thrown objects which ricochet can cause serious injury to the eyes.
5. Do not operate the mower without the discharge cover or entire grass catcher in its proper place. A missing or damaged discharge cover or grass bag attachment component may result in thrown objects or blade contact injuries.
6. Do not put hands or feet near rotating parts or under the cutting deck. Contact with the blade(s) can amputate hands and feet.
7. Shut off mower's engine and wait for blades to come to a complete stop before unclogging mower's discharge opening or bagger parts.
8. Slow down before turning. Operate the machine smoothly. Avoid erratic operation and excessive speed. Be aware that a grass catcher attachment can affect the handling characteristics of your mower.
9. Disengage blade(s), set parking brake, stop engine and wait until the blade(s) come to a complete stop before opening bagger attachment's top cover, removing grass catcher, emptying grass, unclogging chute, removing any grass or debris, or making any adjustments.
10. Never leave a running machine unattended. Always turn off blade(s), place transmission in neutral, set parking brake, stop engine and remove key before dismounting.
11. Your machine is designed to cut normal residential grass of a height no more than 10". Do not attempt to mow through unusually tall, dry grass (e.g., pasture) or piles of dry leaves. Dry grass or leaves may contact the engine exhaust and/or build up on the mower deck presenting a potential fire hazard.
12. If situations occur which are not covered in this manual, use care and good judgment. Contact your customer service representative for assistance.

## Slope Operation

Slopes are a major factor related to loss of control and tip-over accidents which can result in severe injury or death. Attachments can also affect the stability of the machine. All slopes require extra caution.

For your safety, use the slope gauge included as part of this manual to estimate the angle of slopes before operating this machine on a sloped or hilly area. If the slope is greater than 10 degrees as shown on the slope gauge, do not operate the mower with the grass bag attachment installed on that area or serious injury could result.

### Do:

1. Mow up and down slopes, not across. Exercise extreme caution when changing direction on slopes.
2. Watch for holes, ruts, bumps, rocks, or other hidden objects. Uneven terrain could overturn the machine. Tall grass can hide obstacles.

3. Use slow speed. Choose a low enough speed setting so that you will not have to stop or shift while on the slope. Tires may lose traction on slopes even though the brakes are functioning properly. Always keep machine in gear when going down slopes to take advantage of engine braking action.
4. Follow the manufacturer's recommendations for wheel weights or counterweights to improve stability.
5. Keep all movement on the slopes slow and gradual. Do not make sudden changes in speed or direction. Rapid engagement or braking could cause the front of the machine to lift and rapidly flip over backwards which could cause serious injury.
6. Avoid starting or stopping on a slope. If tires lose traction, disengage the blade(s) and proceed slowly straight down the slope.

**Do Not:**

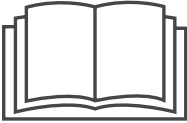

1. Do not turn on slopes unless necessary; then, turn slowly and gradually downhill, if possible.
2. Do not mow near drop-offs, ditches or embankments. The mower could suddenly turn over if a wheel is over the edge of a cliff, ditch, or if an edge caves in.
3. Do not try to stabilize the machine by putting your foot on the ground.
4. Do not use a grass catcher on steep slopes.
5. Do not mow on wet grass. Reduced traction could cause sliding.

**General Service**

1. Before cleaning, repairing, or inspecting, make certain the blade(s) and all moving parts have stopped. Disconnect the spark plug wire and ground against the engine to prevent unintended starting.
2. Keep all nuts, bolts, and screws tight to be sure the equipment is in safe working condition.
3. Never tamper with your mower's safety interlock system or other safety devices. Check their proper operation regularly.
4. Never attempt to make adjustments or repairs while the mower's engine is running.
5. Grass catcher components and the discharge cover are subject to wear and damage which could expose moving parts or allow objects to be thrown. For safety protection, frequently check components and replace immediately with original equipment manufacturer's (O.E.M.) parts only, listed in this manual. Use of parts which do not meet the original equipment specifications may lead to improper performance and compromise safety!
6. Maintain or replace safety and instruction labels, as necessary.

**Safety Symbols**

This table depicts and describes safety symbols that may appear on this product. Read, understand, and follow all instructions on the machine before attempting to assemble and operate.

Symbol	Description
	<p>READ THE OPERATOR'S MANUAL(S) Read, understand, and follow all instructions in the manual(s) before attempting to assemble and operate.</p>
	<p>STOP Turn OFF the engine before opening the bagger cover.</p>



**WARNING!** Your Responsibility—Restrict the use of this power machine to persons who read, understand and follow the warnings and instructions in this manual and on the machine.

**SAVE THESE INSTRUCTIONS!**

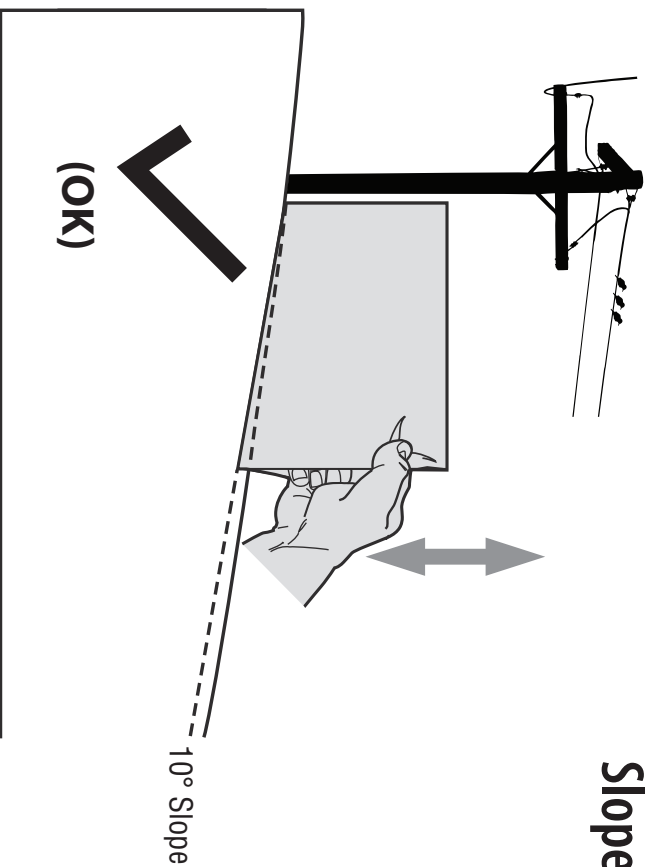


Figure 1

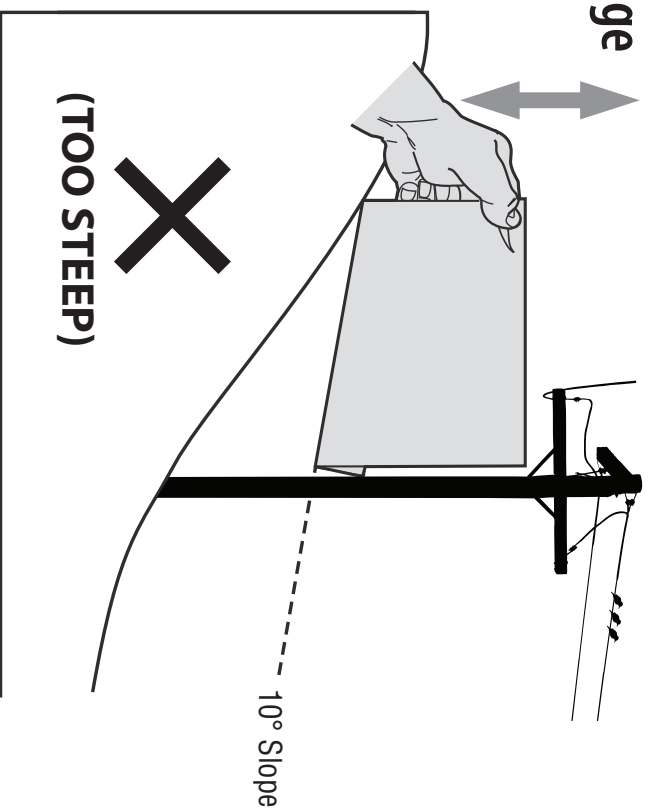


Figure 2

**USE THIS SLOPE GAUGE TO DETERMINE  
IF A SLOPE IS TOO STEEP FOR SAFE OPERATION!**

- To check the slope, proceed as follows:
1. Remove this page and fold along the dashed line.
  2. Locate a vertical object on or behind the slope (e.g. a pole, building, fence, tree, etc.)
  3. Align either side of the slope gauge with the object (See Figure 1 and Figure 2).
  4. Adjust gauge up or down until the left corner touches the slope (See Figure 1 and Figure 2).
  5. If there is a gap below the gauge, the slope is too steep for safe operation (See Figure 2 above).

*10° dashed line*



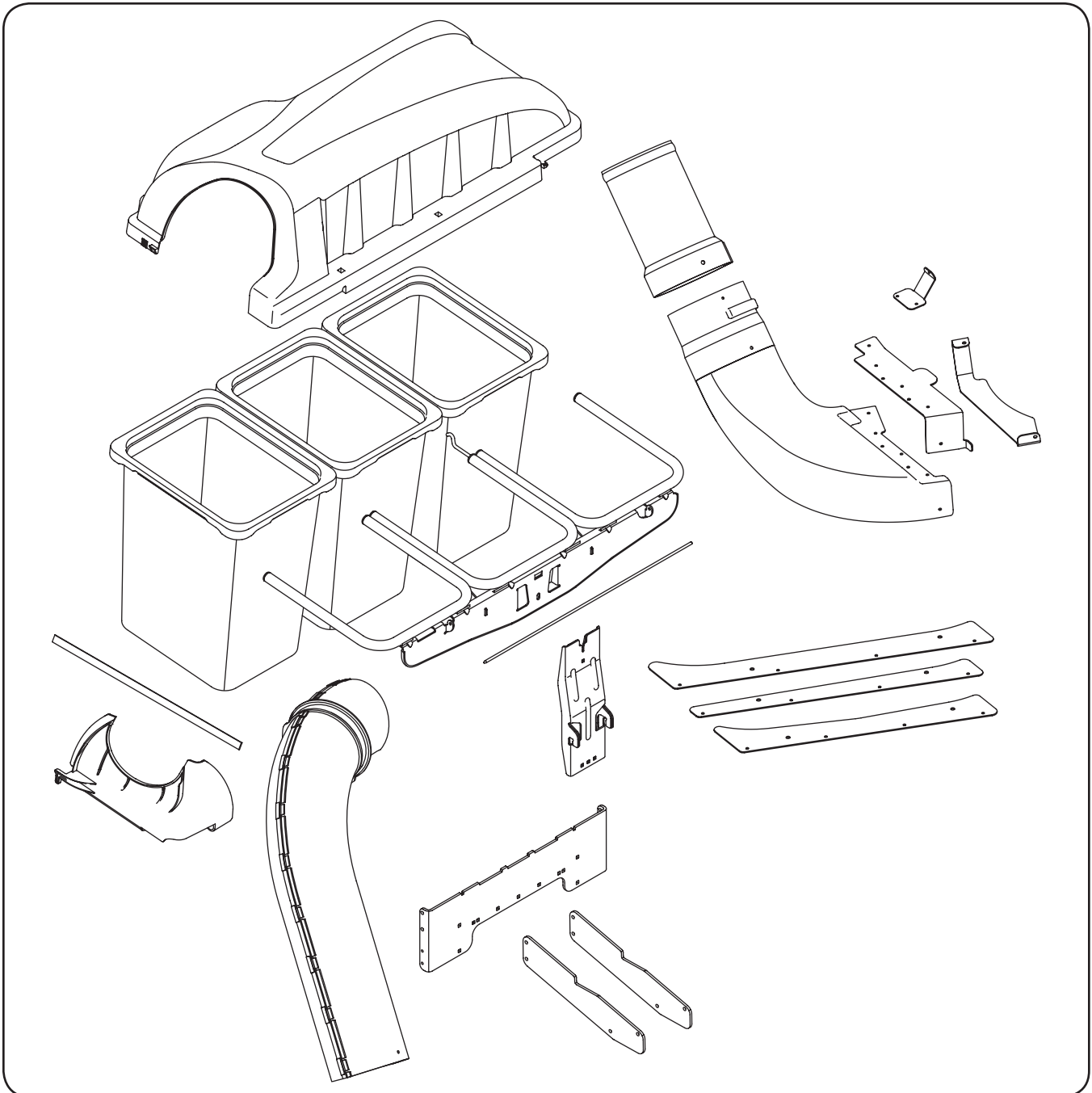
**WARNING!** Slopes are a major factor related to tip-over and roll-over accidents which can result in severe injury or death. Do not operate machine on slopes in excess of 10 degrees. All slopes require extra caution. If you cannot back up the slope or if you feel uneasy on it, do not mow it. Always mow up and down slopes, never across the face of slopes.

# Contents of Carton

# 3

Before beginning installation, remove all parts from the carton to make sure everything is present. Carton contents are listed and shown below. Three hardware packs are included in this kit and are detailed on the following page.

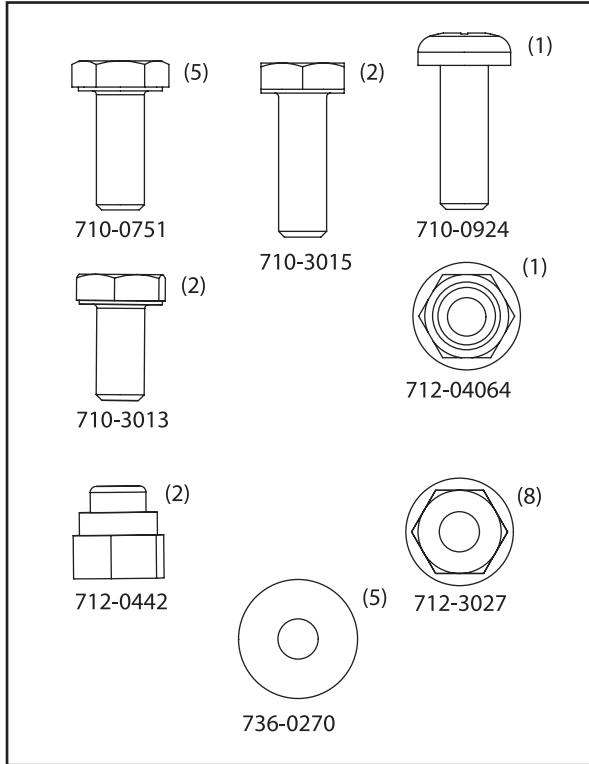
- Grass Catcher Cover
- Hitch Bracket Kit (3 Pcs.)
- Three Grass Bag Assemblies
- Upper Chute Support
- Bag Support Assembly
- Three Deck Baffles
- Chute Support Bracket
- Upper Chute Discharge Plate
- Lower Chute Discharge Plate
- Upper Chute Tube
- Chute Tube Extension
- Discharge Chute Elbow
- Hinge Cover Pin
- Upright Support
- Adhesive Foam Strip
- Three Hardware Packs (Detailed & illustrated on next page)



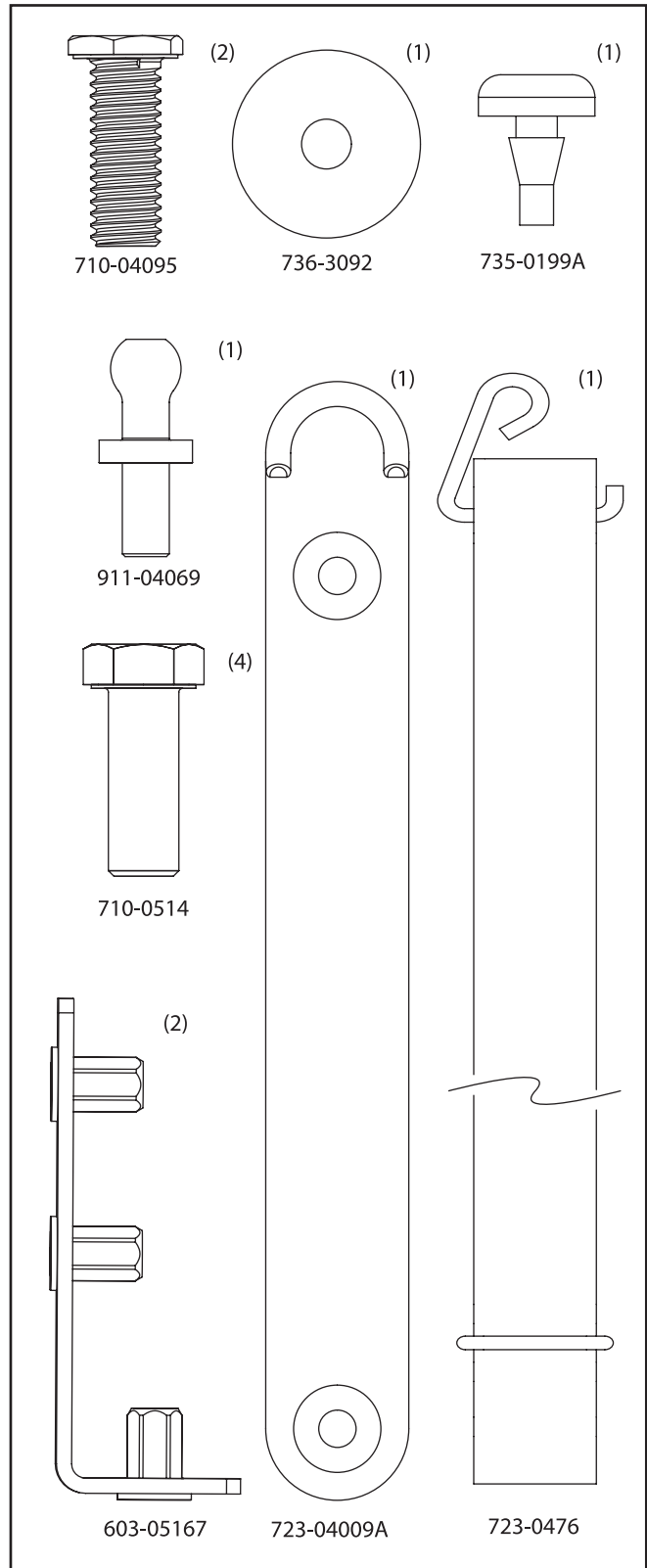
## CONTENTS OF HARDWARE PACK

This grass collector kit is shipped with three loose hardware packs enclosed. Please check your hardware packs against the illustrations below. The quantities for each item is listed in parenthesis.

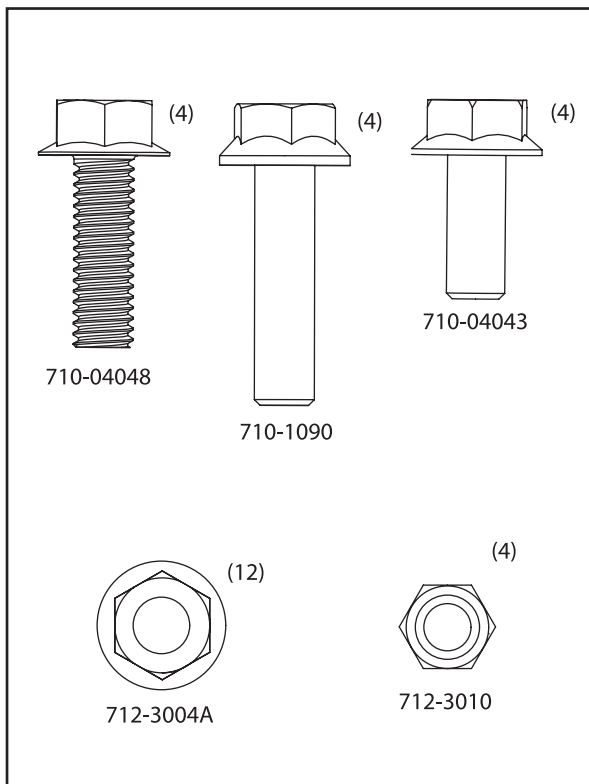
Hardware Packe 689-00337



Hardware Packe 689-00340



Hardware Pack 689-00338





# Assembly & Installation

# 4

**IMPORTANT:** If installing this bagging kit on a ZF-L (lap bar) unit, bumper adaptor kit 19A70046100 is required and must be installed prior to attempting to install this bagger. See the retailer in which you purchased this bagger to purchase this adapter kit.



**CAUTION:** Do not attempt to install this bagging attachment on the tractor while it is still hot from operation. Do not attempt to install this bagger until the tractor has fully cooled down.

**NOTE:** References to left, right, front and rear of the tractor are from the operator's position, unless otherwise stated.

- Before assembly, place the tractor on a firm, level surface, disengage the PTO, stop the tractor engine and set the parking brake.
- For convenience, pivot the seat forward and leave it in that position until the grass collector is fully mounted and assembled.

## Install Mounting Assembly



**CAUTION:** Do not attempt to install this bagging attachment on the tractor while it is still hot from operation. Do not attempt to install this bagger until the tractor has fully cooled down.

1. Remove hex screw and flange lock nut shown in Figure 4-1 from the rear frame of the tractor on each side.

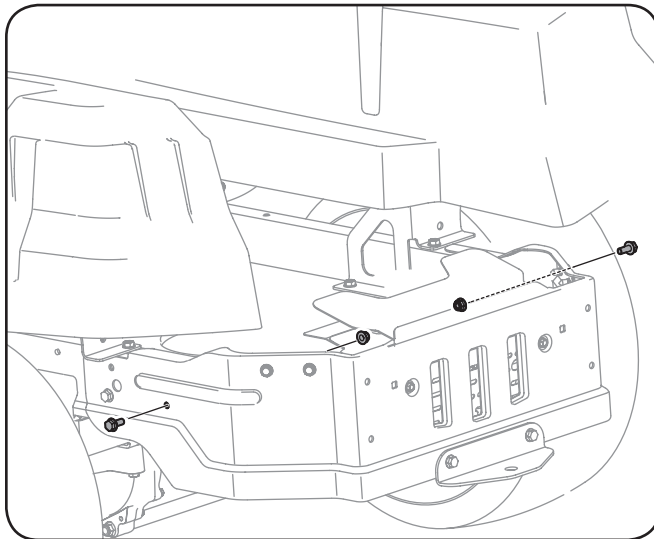


Figure 4-1

2. Install a bagger support bracket on each side of the tractor, by feeding a 710-1090 hex screw found in hardware pack 689-00338 through the frame, then a 712-3010 hex nut. Tighten the hex nut on each hex screw.

**Note:** The hex screws can be fed outward through the frame first, as shown in Figure 4-2, or inward through the bagger support bracket first. This option is based on preference.

**Note:** The 712-3010 hex nuts should be tightened (against bumper if bolts are inside-out, or against bracket if bolts are outside-in).

3. Install the bagger support frame onto the hex screws installed in Step 2, and secure with a 712-3004A flange lock nut from the same hardware pack. See Figure 4-2.

**Note:** The 712-3004A lock nuts should be left only finger tight to facilitate the remaining installation steps. You will be instructed to tighten this hardware later in this manual.

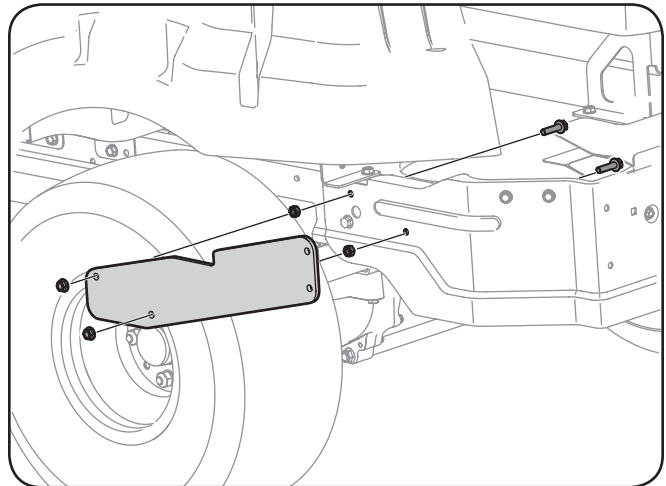


Figure 4-2

4. Install the bagger cross-support bracket with the flange facing outward, as shown in Figure 4-3, by attaching it to the side support brackets using four 710-04048 hex screws and 712-3004A flange lock nuts from hardware pack 689-00338.
5. Further secure the bagger cross-support bracket to the tractor by installing four 710-04043 hex screws through the cross-support bracket and into the rear of the tractor frame. Secure using four 712-3004A flange lock nuts from hardware pack 689-00338. See Figure 4-3.

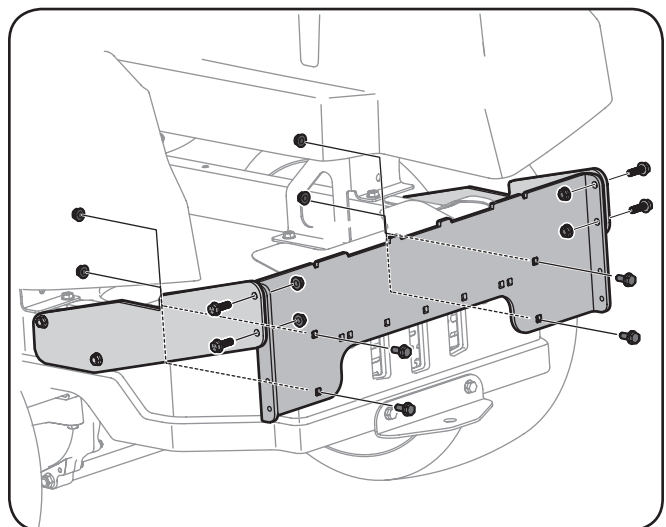


Figure 4-3



**Note:** If you decided to leave the hitch support only finger tight during the assembly process, tighten all of the hardware securely at this time.

6. Install the bagger upright mounting bracket onto the mounting assembly (1 in Figure 4-4) of the tractor by hooking it over the bagger cross-support bracket near the center, lining up the corresponding mounting hole with the deck size of the tractor this bagger is being installed on. See the inset of Figure 4-4.
7. Secure the upright mounting bracket to the mounting assembly using a 5/16" carriage bolt and flange lock nut packed in with the upright bracket. See 2 in Figure 4-4.

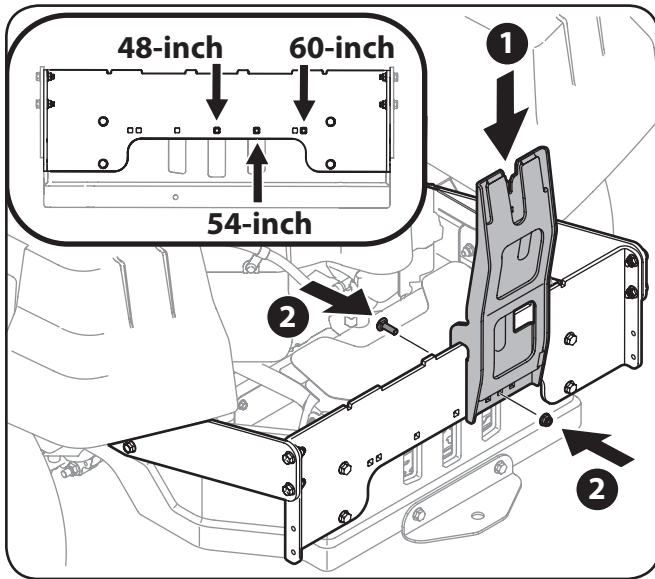


Figure 4-4

8. Lower the bagger hanger assembly down onto the upright support bracket, as shown in 3 of Figure 4-5. Secure the hanger assembly to the upright mounting bracket using the remaining 5/16" carriage bolt and flange lock nut packed in with the upright bracket. See 4 in Figure 4-5.

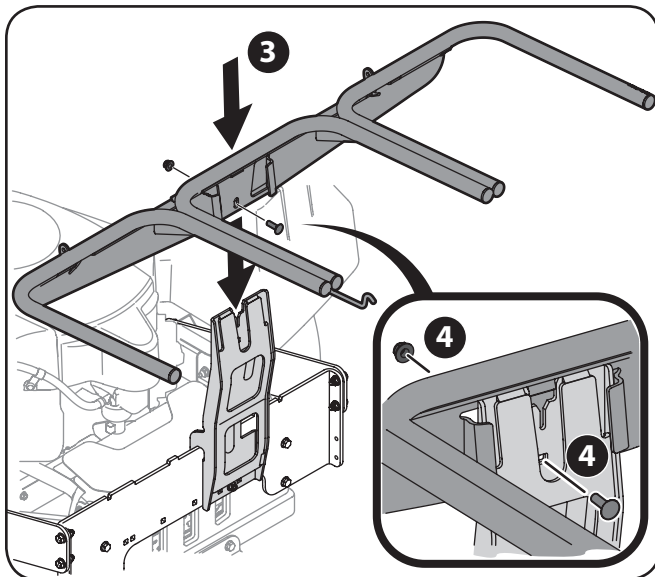


Figure 4-5

9. Snap the plastic upper chute support in place by first clipping the side portion onto the bagger support rail (1) with the edge of the snap feature aligned with the red line, as seen in the inset of Figure 4-6.

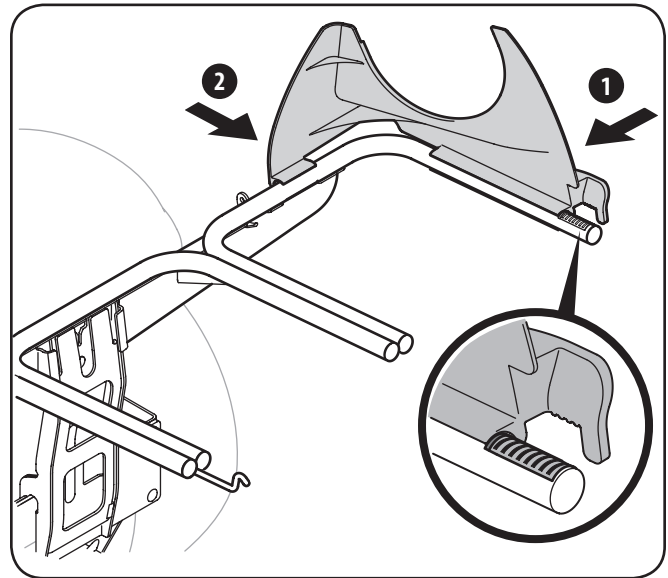


Figure 4-6

10. Snap the front side of the chute support to the rail (2), as shown in Figure 4-6.
11. If not already assembled by the factory, install the bagger screen into the bagger cover by first inserting the end closest to the center into the cutout mounting hole, as in Figure 4-7. Make sure to feed the screen under the lip, as in Figure 4-8.

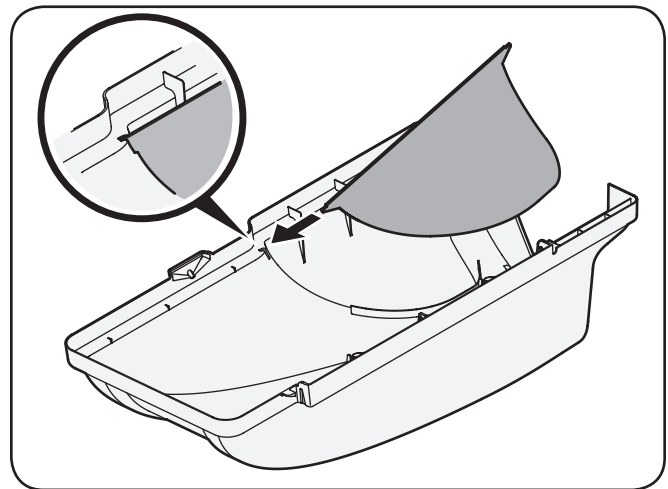
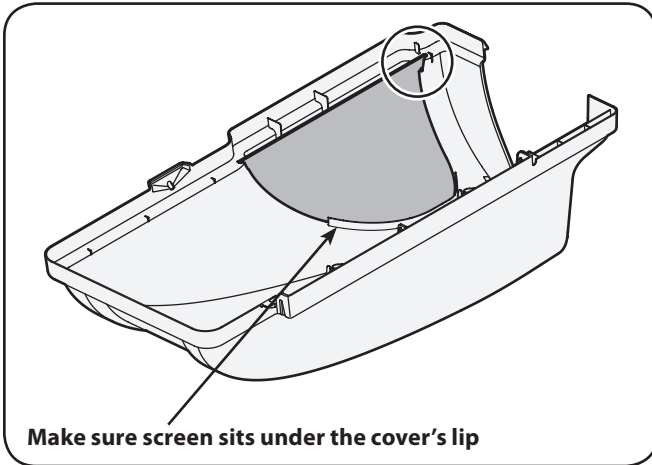
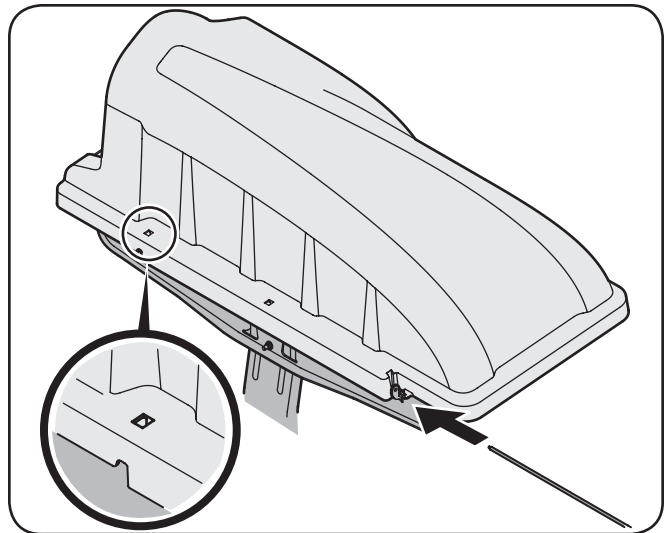


Figure 4-7

- Clip in the other side by flexing the screen and pushing it down into the provided cutout hole. See Figure 4-8.

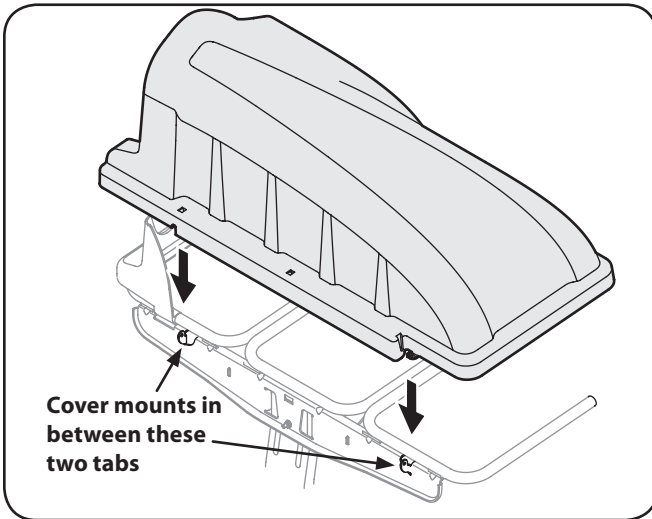


**Figure 4-8**

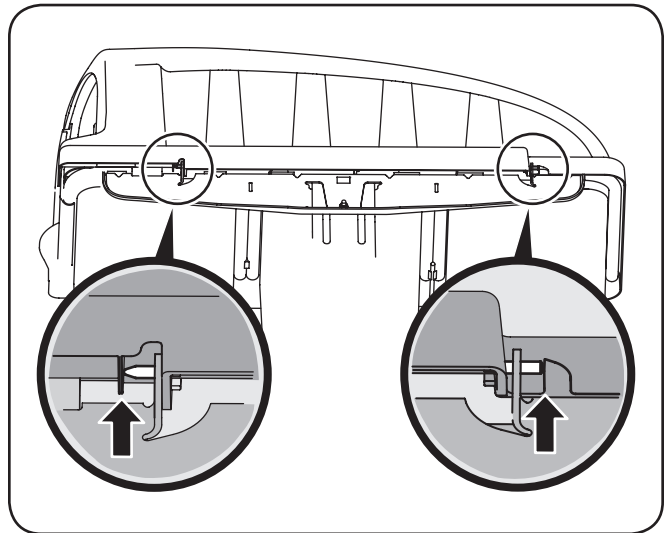


**Figure 4-10**

- Install the bagger cover onto the bag support assembly, as seen in Figure 4-9. The plastic cover goes inside of the two mounting tabs.



**Figure 4-9**



**Figure 4-11**

- Slide the hinge pin into the hole located on the mounting tab, as in Figure 4-10. Use the cut-out window (See inset in Figure 4-10) to line up the hinge pin on the other side and push pin all the way in until it reaches the end-stop. At this point the pin clips into place and is secured by a tab in the bagger cover. See Figure 4-11.

- Open the bagger cover by pushing in on the rear, right-side tab with your right hand, as seen in 1 of Figure 4-12, and lifting the cover with your left hand in the center rear of the bagger cover, 2.

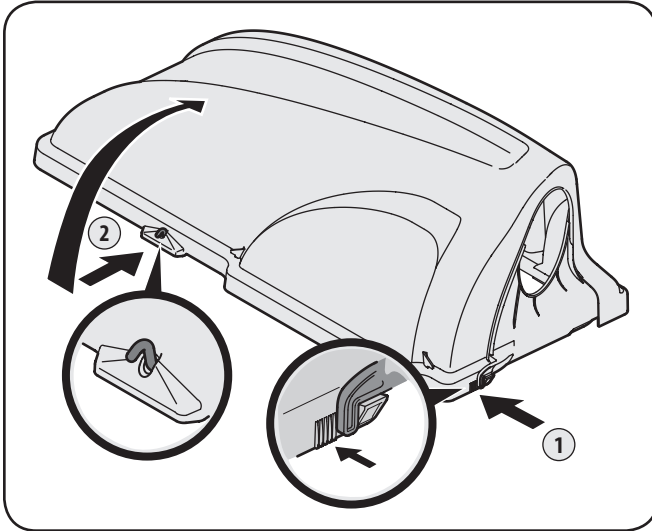


Figure 4-12

- Install the bag assemblies onto the bag support brackets by inserting the front edge in first, as seen in Figure 4-13, and setting the back edge down until it fits into the assembly.

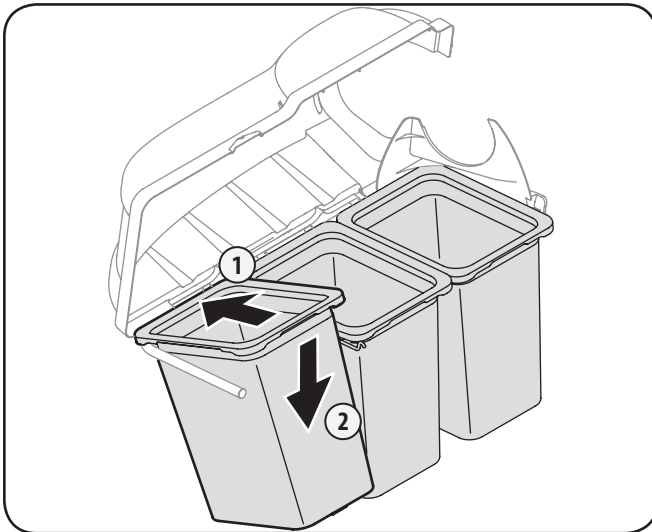


Figure 4-13

## Installing the Deck Baffle

**Note:** Installing the deck baffle may be easiest with the deck removed as instructed in the tractor's operator's manual, however it is not mandatory. The baffle may be installed with the deck still mounted on the tractor, raised to its highest cutting position, but it will be somewhat more tedious.

**Note:** This bagging kit is designed to fit three different deck sizes, therefore three different deck baffles have been included in this kit. Be sure to select the proper deck baffle for the deck size this bagger is being installed on.

- Locate the two baffle mounting brackets included in hardware pack 689-00340, and position the brackets INSIDE of the deck, lining up the two holes on the front of the deck as shown in Figure 4-14
- Secure the brackets to the deck using four 710-0514 hex screws, included in hardware pack 689-00340, fed through the front of the deck and threaded into the bagger mounting brackets.

**Note:** It is recommended to leave all of the hardware in Steps 2 and 3 only finger tight until all six screws are started. Then tighten all of the 6 screws installed in Steps 2 and 3.

- Align the proper sized baffle with the holes in the bottom of the baffle mounting bracket and secure with two 710-04095 hex screws included in hardware pack 689-00340.

**Note:** There are three different baffles included with this bagging kit, each is for a different sized deck. Using the parts list later in this manual, identify the proper deck baffle for the deck this bagger is being installed on. Also use the part list for the proper orientation of the deck baffle. Basically, the 48" and 60" deck baffles mount with the widest end towards the discharge chute, and the 54" deck baffle mounts with the narrow end towards the discharge chute.

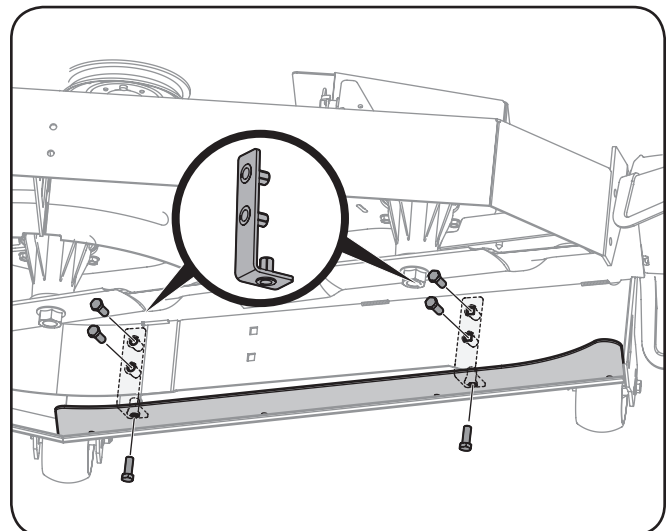


Figure 4-14

## Assembling the Discharge Chute Components

1. Insert the inner boot bracket into the chute elbow as shown in Figure 4-15.
2. Install the discharge chute top mounting bracket onto the topside of the discharge chute using five (5) 710-0751 hex bolts, as shown in Figure 4-15, and securing with three (3) 736-0270 bevel washers and five (5) 712-3027 flange lock nuts, all included in hardware pack 689-00337.

**Note:** The bolt at each end of the discharge chute top mounting bracket also routes through the inner boot bracket below. Be sure to secure this inner boot bracket when installing the hardware in Step 2. No bevel washers are needed for the screws that secure the two brackets together.

3. Install the chute support bracket into the center two holes of the top mounting bracket, as shown in Figure 4-15, using two (2) 710-3015 hex bolts and securing with two (2) 736-0270 bevel washers and two (2) 712-3027 flange lock nuts, all included in hardware pack 689-00337. Be sure to mount the bracket with the raised tab facing the tractor, as shown.
4. Install the (1) 735-0199A rubber bumper, from hardware pack 689-00340, into the hole provided on the chute support bracket, as shown in the inset of Figure 4-15. The bumper should be orientated towards the tractor, as shown.

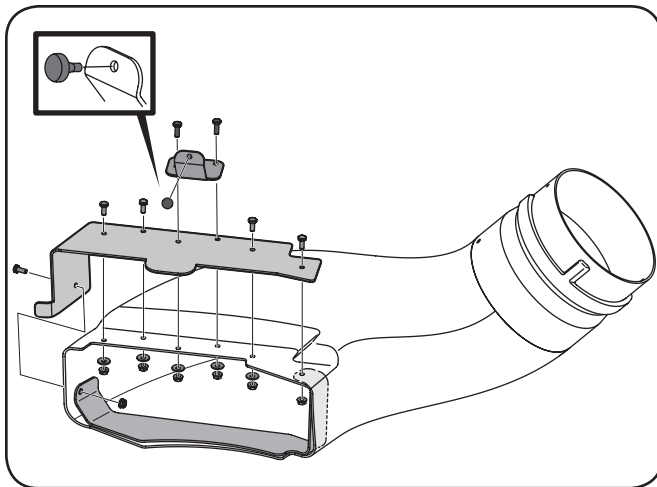


Figure 4-15

5. Install the boot strap, 723-0476, from hardware pack 689-00340, with the metal wire ends, onto the discharge chute elbow using a 711-04069 deck pin and 736-3092 flat washer from the same hardware pack (689-00340). Secure the strap using a 712-3027 lock nut from hardware pack 689-00337. See Figure 4-16.

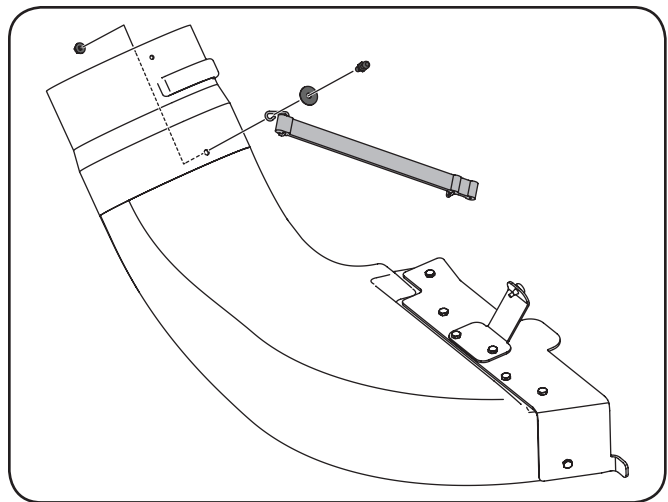


Figure 4-16

**NOTE:** Check the upper chute for a cardboard insert installed for shipping purposes. If the insert is present, remove it before continuing.

6. Locate the upper chute tube and install the 723-04009A chute strap included in hardware pack 689-00340, to the upper chute tube using a 710-0924 machine screw and 712-04064 flange nut provided in hardware pack 689-00337. See Figure 4-17.

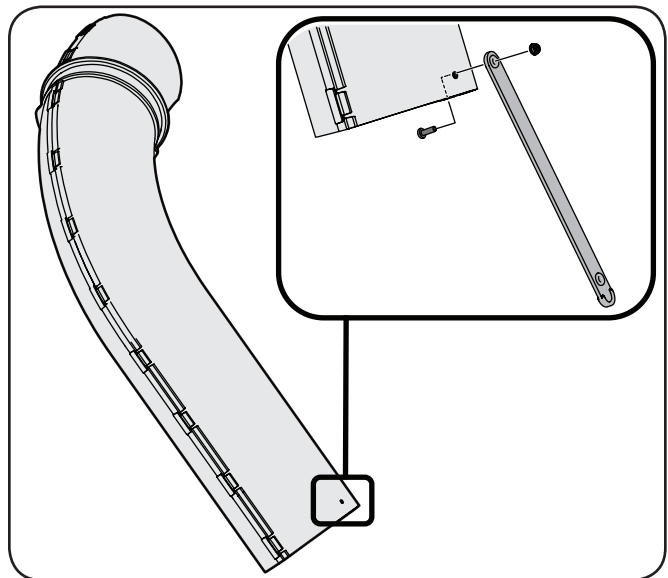


Figure 4-17

7. Peel the backing off of the self-adhesive foam strip (721-04388) that has been included with your grass collector. Apply it to the upper chute, flush against the flange as shown in Figure 4-18.

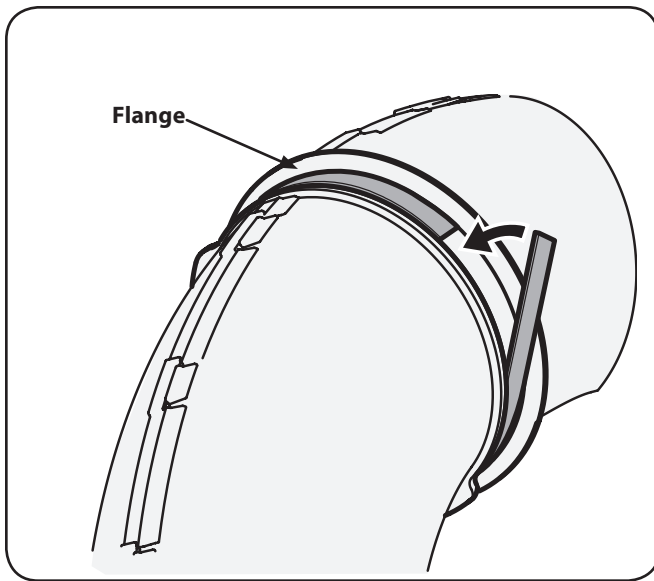


Figure 4-18

### Installing the Discharge Chute On The Tractor

1. Reinstall the cutting deck, if previously removed, to the tractor reversing the instructions for Deck Removal in operator's manual of the tractor.
2. Raise the deck to its highest position.
3. Raise the chute deflector (1 in Figure 4-19) on the deck and hold it while you position the discharge chute over the chute opening.
4. Insert the end of the discharge chute top mounting bracket into the hole provided on the cutting deck as detailed in 2 of Figure 4-19.
5. Pivot the discharge chute rearward inserting the tab in the discharge chute top mounting bracket into the space provided between the mowing deck and the discharge chute hinge, as shown in 3 of Figure 4-19.

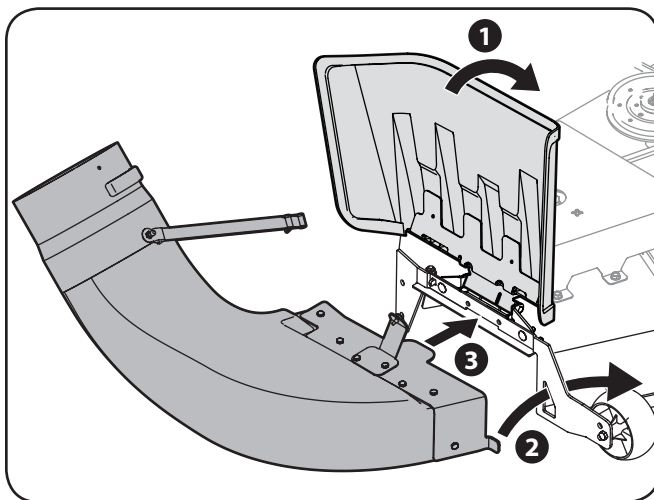


Figure 4-19

6. Attach the retainer strap on the discharge chute to the retainer clip on the deck. See Figure 4-20.

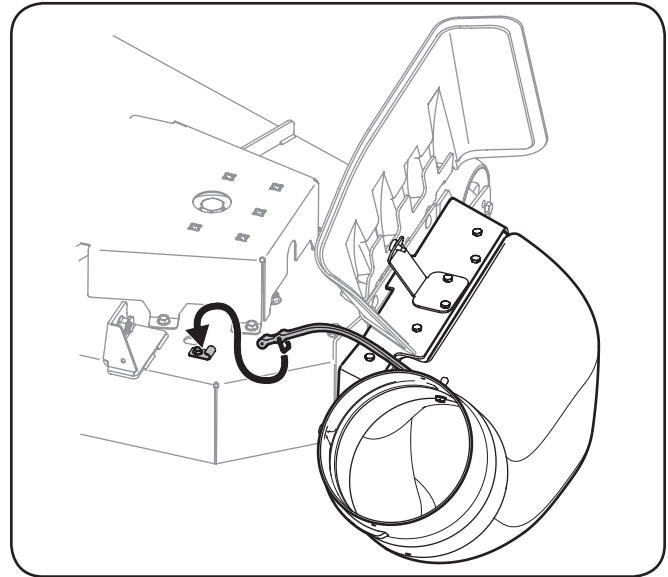


Figure 4-20

7. Install the chute adapter onto the chute elbow by lining up the tabs and sliding the adapter over the chute elbow, as shown in Figure 4-21. Secure the chute adapter by installing two 710-3013 hex screws into the holes shown and secure with two 712-0442 cap lock nuts, included in hardware pack 689-00337.

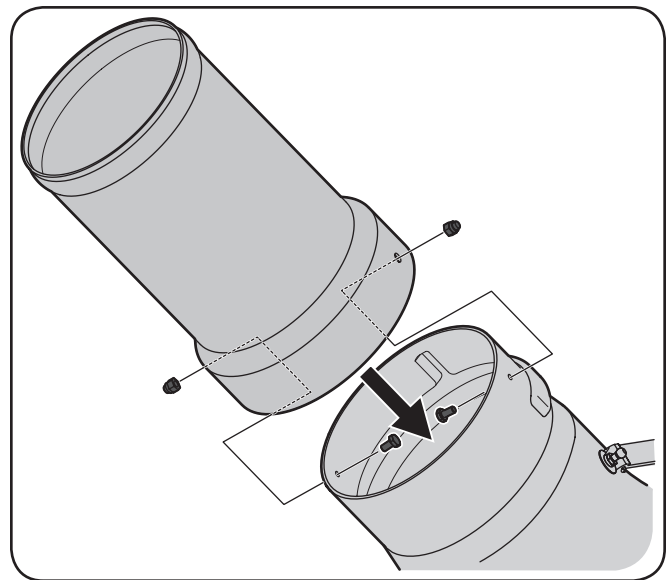
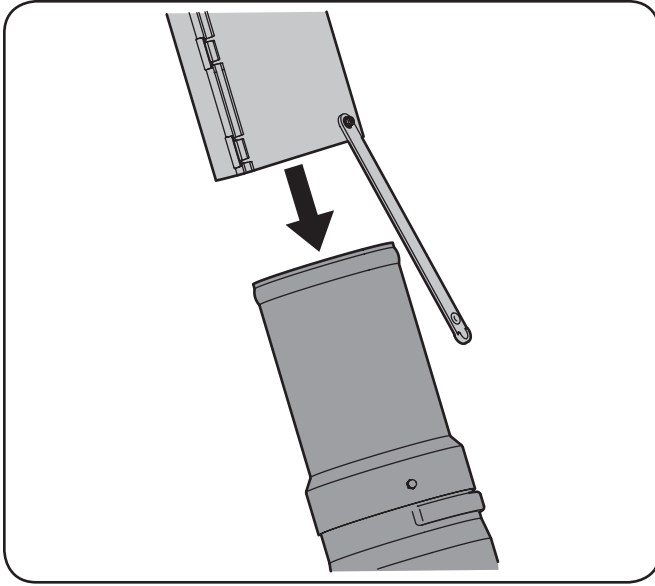


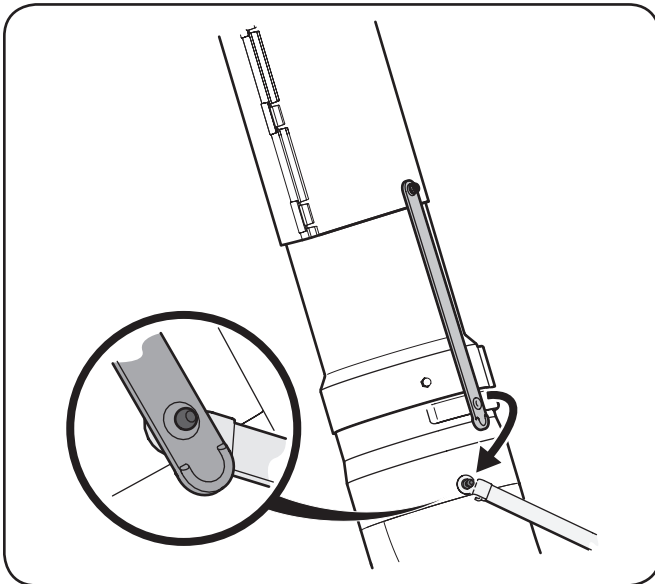
Figure 4-21

8. Install the upper chute tube over the chute tube extension, as shown in Figure 4-22.



**Figure 4-22**

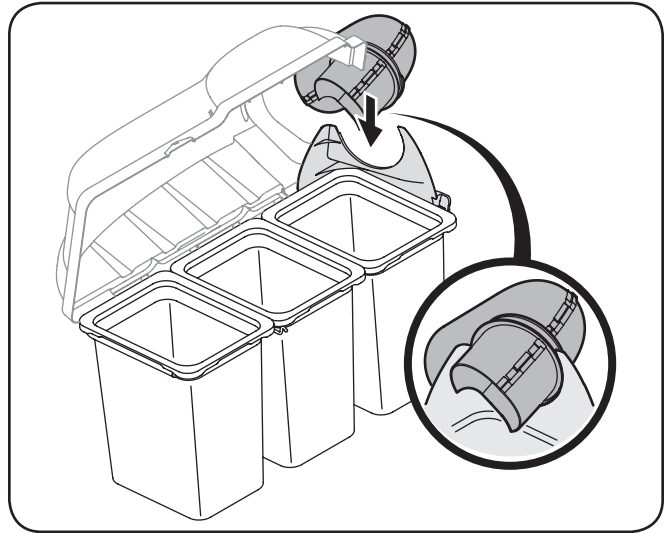
9. Secure the upper chute tube to the lower discharge chute by stretching the rubber strap on the upper chute tube downward and hooking it onto the pin on the lower chute tube. See Figure 4-23.



**Figure 4-23**

10. With the bagger cover open, install the upper chute over the chute adapter, and rest the top so that the chute support sits in the upper chute groove. See Figure 4-24.

**Note:** Make sure to align the upper chute with the ridges on the bagger support bracket, as shown in the inset of Figure 4-24.



**Figure 4-24**

## Bagger Usage

**NOTE:** When all of the grass bags are full, place the tractor on a firm, level surface, disengage the PTO, turn the tractor engine off and set the parking brake.

1. Pivot the seat forward and up.
2. Lift up grass bag cover by pushing in on the rear, right-side tab with your right hand, as seen in 1 of Figure 5-1, and lifting the cover with your left hand in the center rear of the bagger cover, 2. Do not remove the chute tube assembly from the tractor.

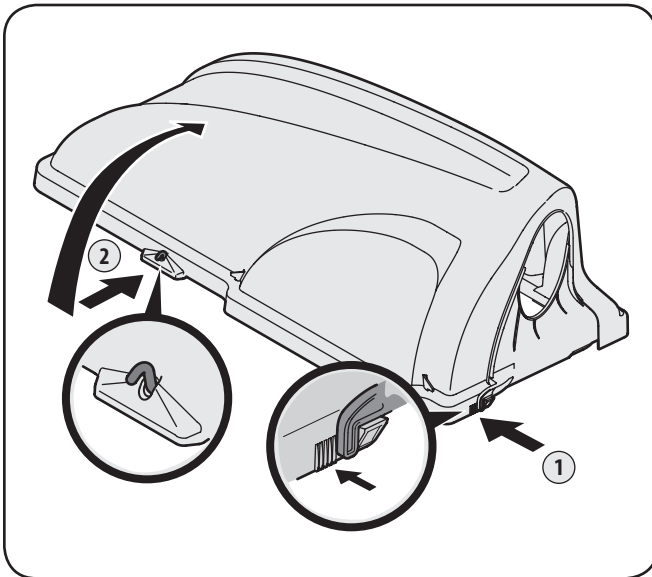


Figure 5-1

3. Remove the grass bags, as shown in Figure 5-2, by lifting each bag up (1) and moving the bags away from the bag support assembly (2).

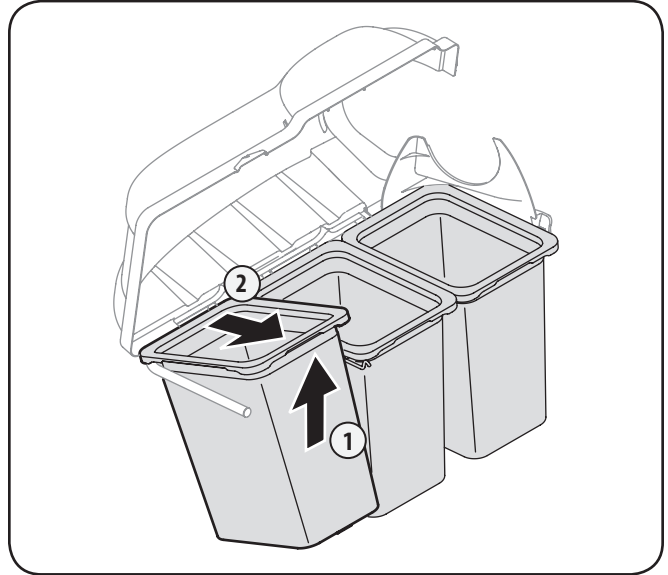
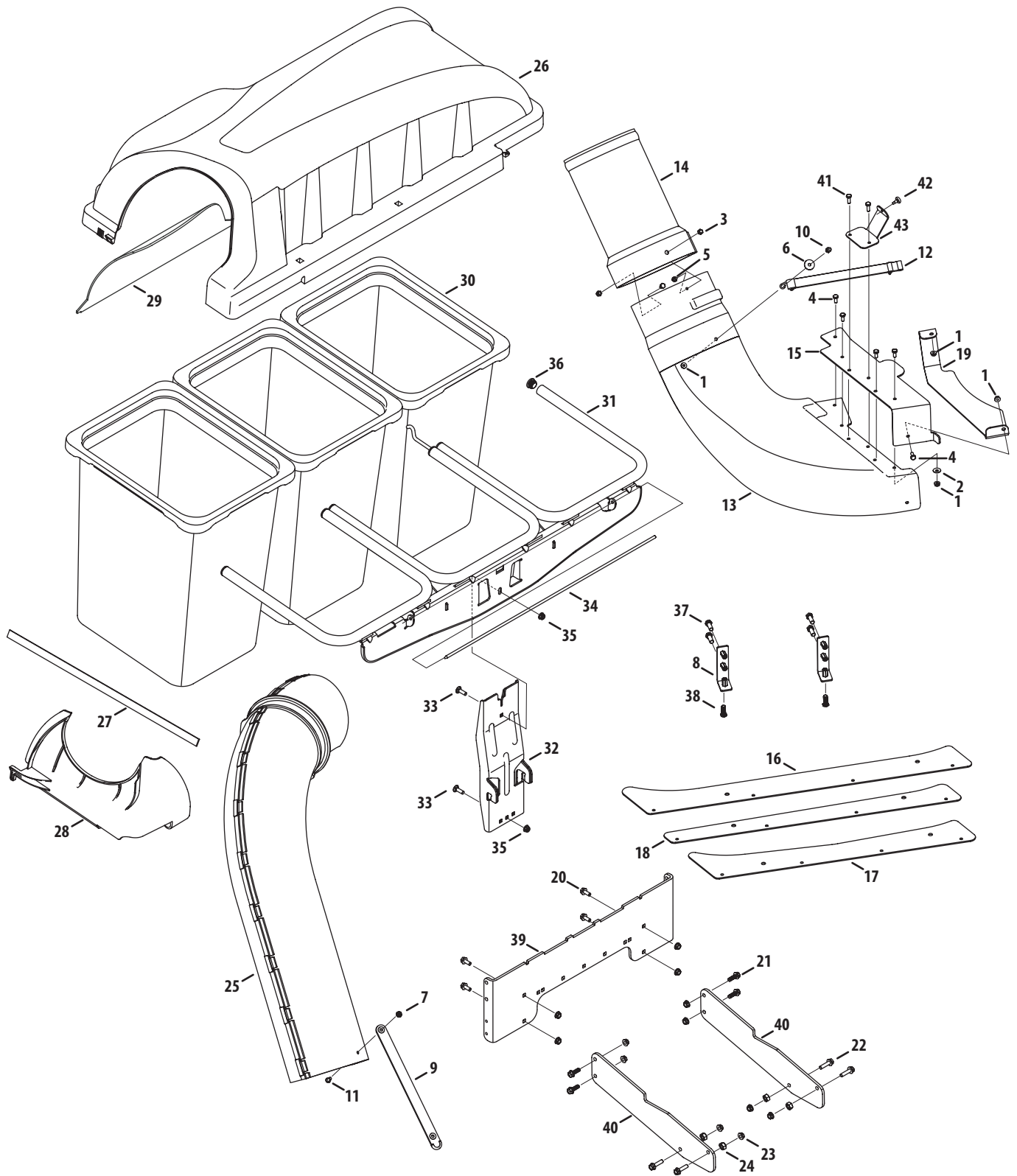


Figure 5-2

4. Empty the grass clippings at a proper disposal sight, use the handle at the bottom of each grass bag. Holding the bag firmly, empty the contents
5. Replace the grass bags in the reverse order and in the same orientation in which they were removed, close lid, pivot down the seat, restart your tractor and resume cutting your grass.



# 19A70040100 Parts List



Ref.	Part Number	Description
1.	912-3027	Hex Flange Nut, 1/4-20
2.	736-0270	Bevel Washer, .265 x .750 x .060
3.	912-0442	Cap Lock Nut, 1/4-20
4.	710-0751	Hex Head Screw, 1/4-20 x .620
5.	710-3013	Hex Head Screw, 1/4-20 x .50
6.	736-3092	Flat Washer, .265 x 1.0 x .030
7.	712-04064	Flange Lock Nut, 1/4-20
8.	603-05167	Bagger Bracket Assembly
9.	723-04009A	Chute Strap, 11.65" Lg.
10.	911-04069	Grass Catcher Pin, 1/4-20
11.	710-0924	Machine Screw, 1/4-20 x 0.750
12.	723-0476	Chute Strap
13.	731-10109	Discharge Chute Elbow
14.	731-06611	Bagger Chute Adaptor
15.	703-09557-0637	Bagger Mounting Bracket
16.	703-07777A-0637	Front Baffle, 60"
17.	703-07774A-0637	Front Baffle, 48"
18.	703-08330A-0637	Front Baffle, 54"
19.	703-09777-0637	Inner Boot Bracket
20.	710-04043	Hex Flange Screw, 5/16-18
21.	710-04048	Hex Flange Screw, 5/16-18 x 1.0
22.	710-1090	Hex Flange Screw, 5/16-18 x 1.25
23.	712-3004A	Flange Lock Nut, 5/16-18
24.	912-3010	Hex Nut, 5/16-18
25.	931-04295A	Upper Chute Assembly
26.	931-04298	Triple Bagger Cover Assembly
27.	721-04388	Adhesive Foam Strip
28.	731-06497	Upper Chute Support
29.	731-06504	Bagger Cover Screen
30.	964-04090A	Grass-bag Assembly
31.	683-04498A-0637	Triple Bag Support Assembly
32.	683-04519B-0637	Vertical Support Bracket
33.	710-0276	Carriage Screw, 5/16-18 x 1.00"
34.	711-05079	Cover Hinge Pin
35.	712-04063	Flange Lock Nut, 5/16-18
36.	735-0246A	End Plug
37.	710-0514	Hex Screw, 3/8-16 x 1.00
38.	710-04095	Hex Screw, 3/8 x 16 Low Profile
39.	703-07657A-0637	Cross Support Bracket
40.	703-09778-0637	Side Support Brackets
41.	710-3015	Hex Head Screw, 1/4-20 x .75
42.	935-0199A	Rubber Bumper
43.	703-09870-0637	Chute Support Bracket





# CUB CADET LLC

## MANUFACTURER'S LIMITED WARRANTY

### FOR SEPARATELY SOLD ATTACHMENTS AND ACCESSORIES

**IMPORTANT:** To obtain warranty coverage owner may be required to present an original proof of purchase and applicable maintenance records to the servicing dealer. Please see the operator's manual for information on required maintenance and service intervals.

The limited warranty set forth below is given by Cub Cadet LLC with respect to new merchandise purchased or leased and used in the United States and/or its territories and possessions, and by MTD Products Limited with respect to new merchandise purchased or leased and used in Canada and/or its territories and possessions (either entity respectively, "Cub Cadet").

Cub Cadet warrants this product (excluding its *Normal Wear Parts*, as described below) against defects in material and workmanship for a period of two (2) years commencing on the date of original retail purchase or lease and will, at its option, repair or replace, free of charge, any part found to be defective in materials or workmanship.

*Normal Wear Parts* are warranted to be free from defects in material and workmanship for a period of thirty (30) days from the date of original purchase or lease. Normal wear parts include, but are not limited to items such as: belts, blades, blade adapters, grass bags, rider deck wheels, seats, and tires.

This limited warranty shall only apply if this product has been operated and maintained in accordance with the Operator's Manual furnished with the product, and has not been subject to misuse, abuse, neglect, accident, improper maintenance, alteration, vandalism, theft, fire, water, or damage because of other peril or natural disaster. Damage resulting from the installation or use of any part, accessory or attachment not approved by Cub Cadet for use with the product(s) covered by this manual will void your warranty as to any resulting damage. In addition, Cub Cadet may deny warranty coverage if the hour meter, or any part thereof, is altered, modified, disconnected or otherwise tampered with.

**HOW TO OBTAIN SERVICE:** Warranty service is available, WITH PROOF OF PURCHASE AND APPLICABLE MAINTENANCE RECORDS, through your local authorized service dealer. To locate the dealer in your area:

#### **In the U.S.A.**

Check your Yellow Pages, or contact Cub Cadet LLC at P.O. Box 361131, Cleveland, Ohio 44136-0019, call 1-877-282- 8684 or log on to our website at [www.cubcadet.com](http://www.cubcadet.com).

#### **In Canada**

Contact MTD Products Limited, Kitchener, ON N2G 4J1, call 1-800-668-1238 or log on to our website at [www.mtdcanada.com](http://www.mtdcanada.com).

Without limiting the foregoing, this limited warranty does not provide coverage in the following cases:

- a. Routine maintenance items such as lubricants, filters, blade sharpening, tune-ups, brake adjustments, clutch adjustments, deck adjustments, and normal deterioration of the exterior finish due to use or exposure.
- b. Service completed by someone other than an authorized service dealer.
- c. Cub Cadet does not extend any warranty for products sold or exported outside of the United States and/or Canada, and their respective possessions and territories, except those sold through Cub Cadet's authorized channels of export distribution.
- d. Replacement parts and/or accessories that are not genuine Cub Cadet parts.
- e. Transportation charges and service calls.
- f. Commercial or Institutional Use.

**There are no implied warranties, including without limitation any implied warranty of merchantability or fitness for a particular purpose. No warranties shall apply after the applicable period of express written warranty above. No other express warranties beyond those mentioned above, given by any person or entity, including a dealer or retailer, with respect to any product, shall bind Cub Cadet. The exclusive remedy is repair or replacement of the product as set forth above.**

**The terms of this warranty provide the sole and exclusive remedy arising from the sale and/or lease of the products covered hereby. Cub Cadet shall not be liable for any incidental or consequential loss or damage including, without limitation, expenses incurred for substitute or replacement lawn care services or for rental expenses to temporarily replace a warranted product.**

Some jurisdictions do not allow the exclusion or limitation of incidental or consequential damages, or limitations on how long an implied warranty lasts, so the above exclusions or limitations may not apply to you.

In no event shall recovery of any kind be greater than the amount of the purchase price of the product sold. **Alteration of safety features of the product shall void this warranty.** You assume the risk and liability for loss, damage, or injury to you and your property and/or to others and their property arising out of the misuse or inability to use the product.

This limited warranty shall not extend to anyone other than the original purchaser or to the person for whom it was purchased as a gift.

**HOW LOCAL LAWS RELATE TO THIS WARRANTY:** This limited warranty gives you specific legal rights, and you may also have other rights that vary in different jurisdictions.

**Cub Cadet LLC, P.O. BOX 361131 CLEVELAND, OHIO 44136-0019, Phone: 1-877-282-8684**  
**MTD Products Limited, Kitchener, ON N2G 4J1, Phone: 1-800-668-1238**