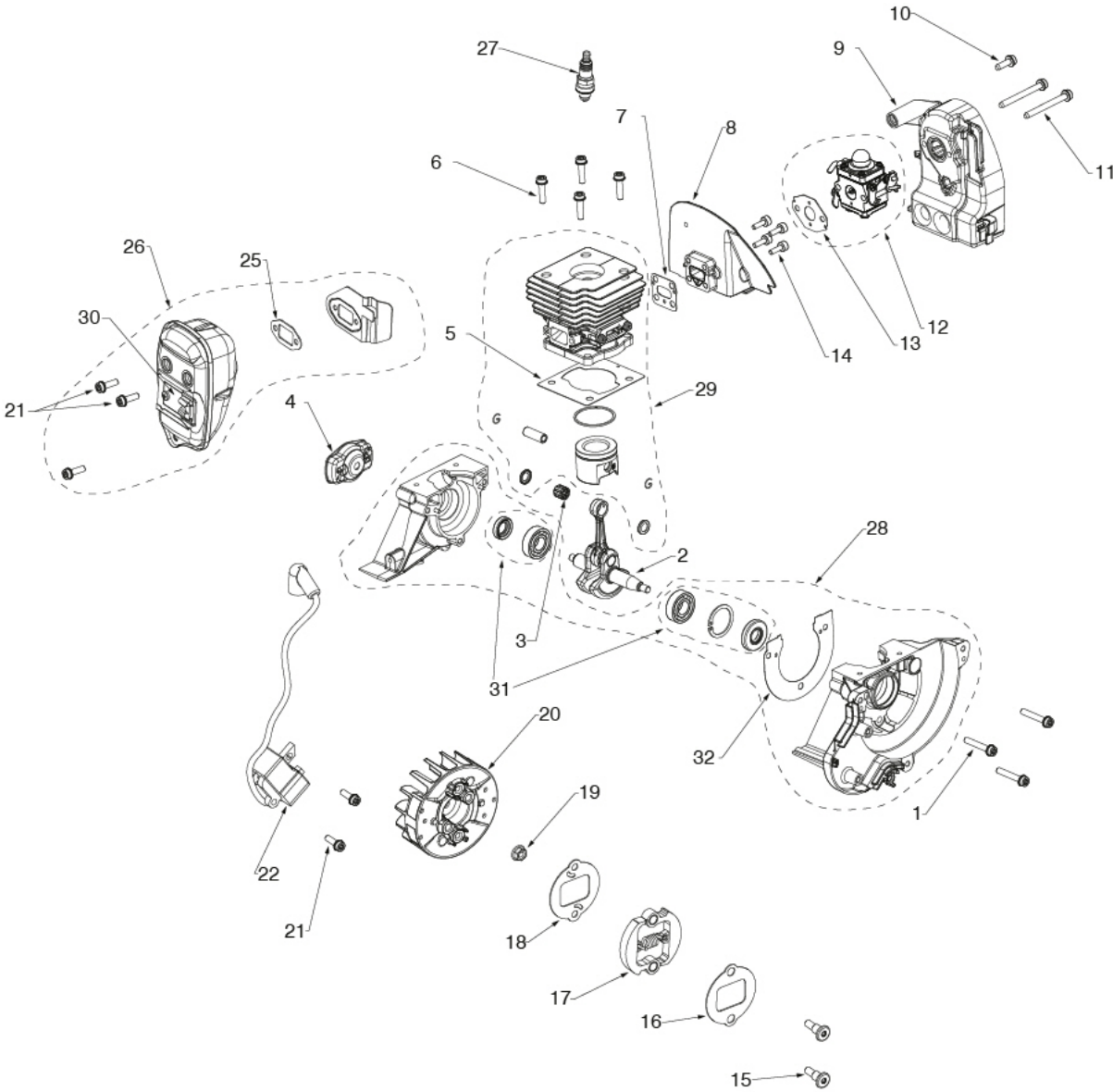




SPARE PARTS LIST

TRIMMERS/EDGERS

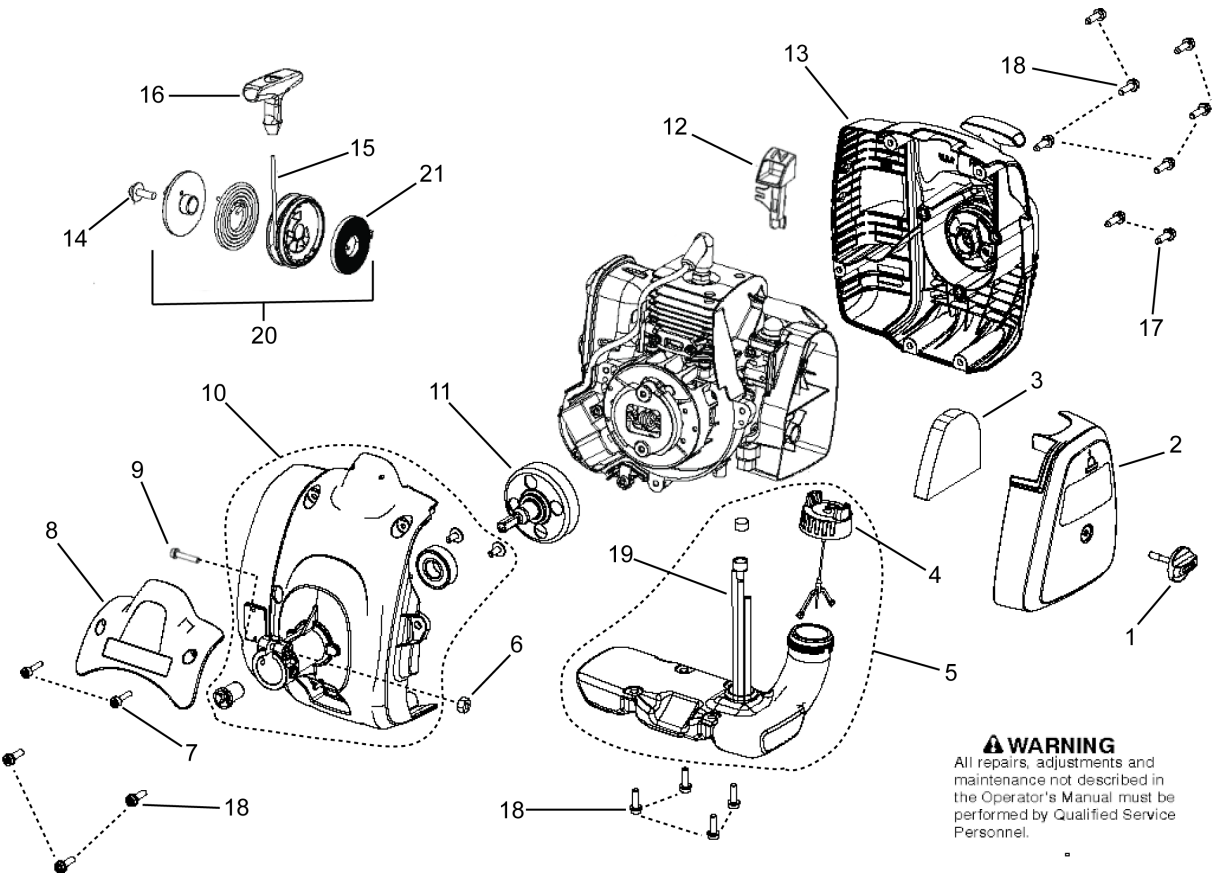
GTS2228, 967301902, 2015-11



ENGINE

GTS2228, 967301902, 2015-11

Ref	Part No	Description	Remark	QTY KIT
1	525 75 51-03	SCREW ITXSCFM		
2	522 92 89-02	CRANKSHAFT ASSY		
3	578 19 48-01	NEEDLE BEARING		
4	525 84 56-01	BRIDGE		
5	579 52 29-01	GASKET		
6	525 75 51-02	SCREW ITXSCFM		
7	579 62 26-03	GASKET		
8	579 62 25-01	INSULATION WALL		
9	580 98 55-01	FILTER HOLDER ASSY		
10	573 92 58-01	SCREW ITXSCFT		
11	573 92 58-02	SCREW ITXSCFT		
12	545 00 80-97	KIT		
13	586 85 33-01	GASKET		
14	525 76 09-06	SCREW ITXSCM		
15	525 61 54-01	SCREW		
16	525 61 30-01	WASHER		
17	575 76 22-03	CLUTCH ASSY		
18	525 61 29-01	WASHER		
19	731 71 16-51	HEXAGON NUT FLANGE		
20	510 08 82-02	FLYWHEEL		
21	525 75 51-01	SCREW ITXSCFM		
22	579 52 54-02	IGNITION MODULE		
25	580 98 58-01	GASKET		
26	545 00 80-98	KIT		
27	501 52 27-01	SPARK PLUG		
28	580 44 66-32	KIT		
29	545 00 80-91	KIT		
30	580 44 66-03	KIT		
31	501 85 62-01	SEAL KIT		
32	579 52 28-01	GASKET		1
	580 44 66-04	KIT		1
	545 00 80-95	KIT		1

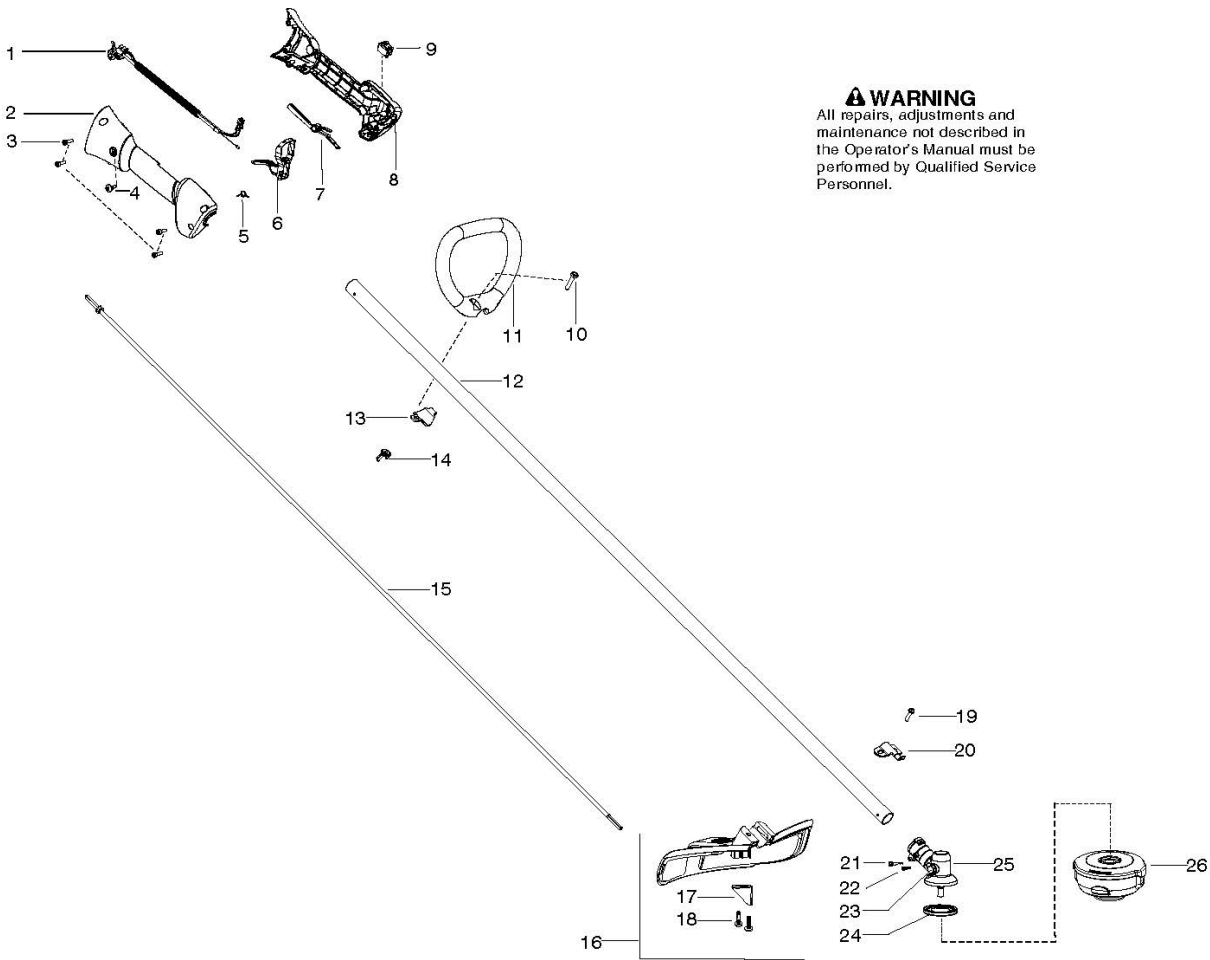


⚠ WARNING
All repairs, adjustments and maintenance not described in the Operator's Manual must be performed by Qualified Service Personnel.

HOUSING

GTS2228, 967301902, 2015-11

Ref	Part No	Description	Remark	QTY KIT
1	537 21 32-02	KNOB		
2	524 85 38-02	FILTER COVER		
3	574 24 27-01	AIR FILTER		
4	574 16 23-03	TANK CAP ASSY		
5	545 00 80-94	KIT		
6	731 23 14-01	HEXAGON NUT		
7	573 92 58-02	SCREW ITXSCFT		
8	586 37 50-01	GUARD		
9	525 75 51-04	SCREW ITXSCFM		
10	586 38 37-01	CLUTCH COVER ASSY		
11	587 12 64-02	CLUTCH ASSY		
12	524 85 37-01	CHOKE BUTTON		
13	586 38 36-01	STARTER ASSY		
14	545 11 28-01	SCREW		
15	545 00 80-79	KIT-ROPE		
16	575 48 95-04	STARTER HANDLE		
17	573 92 58-01	SCREW ITXSCFT		
18	525 75 51-01	SCREW ITXSCFM		
19	545 00 80-96	KIT		
20	585 53 03-01	KIT		
21	545 00 80-87	SPRING		



⚠ WARNING
All repairs, adjustments and maintenance not described in the Operator's Manual must be performed by Qualified Service Personnel.

SHAFT & HANDLE

GTS2228, 967301902, 2015-11

Ref	Part No	Description	Remark	QTY	KIT
1	574 48 90-03	THROTTLE ASSY		1	
2	545 22 35-01	HOUSING		1	
3	574 44 40-01	SCREW ITXSCT		4	
4	584 29 40-01	SCREW ITXPANT		1	
5	530 01 64-54	RETURN SPRING		1	
6	574 35 53-02	TRIGGER		1	
7	574 35 54-02	THROTTLE		1	
8	545 22 37-01	HOUSING		1	
9	545 04 93-09	SWITCH MOMENTARY		1	
10	530 01 58-20	SCREW		1	
11	545 07 42-01	HANDLE LOOP		1	
12	580 44 66-12	KIT		1	15, 19-25
13	530 05 91-85	CLAMP		1	
14	530 01 61-52	WING NUT		1	
15	545 00 75-07	SHAFT		1	
16	501 52 21-02	SHIELD KIT		1	17,18
17	530 05 22-86	LINE		1	
18	584 41 00-01	SCREW		2	
19	584 41 06-01	SCREW		1	
20	530 05 75-54	BRACKET		1	
21	584 41 05-01	SCREW		1	
22	584 41 06-01	SCREW		1	
23	575 72 46-01	PLUG		1	
24	537 23 49-01	DRIVER ASSY		1	
25	530 09 62-95	BEVEL GEAR		1	
26	537 33 83-06	TRIMMER HEAD		1	