

MIRAGE-X / BELLA

SHOWER AND TUB DOOR INSTALLATION INSTRUCTIONS

IMPORTANT

DreamLine[®] reserves the right to alter, modify or redesign products at any time without prior notice. For the latest up-to-date technical drawings, manuals, warranty information or additional details please refer to your model's web page on **DreamLine.com**

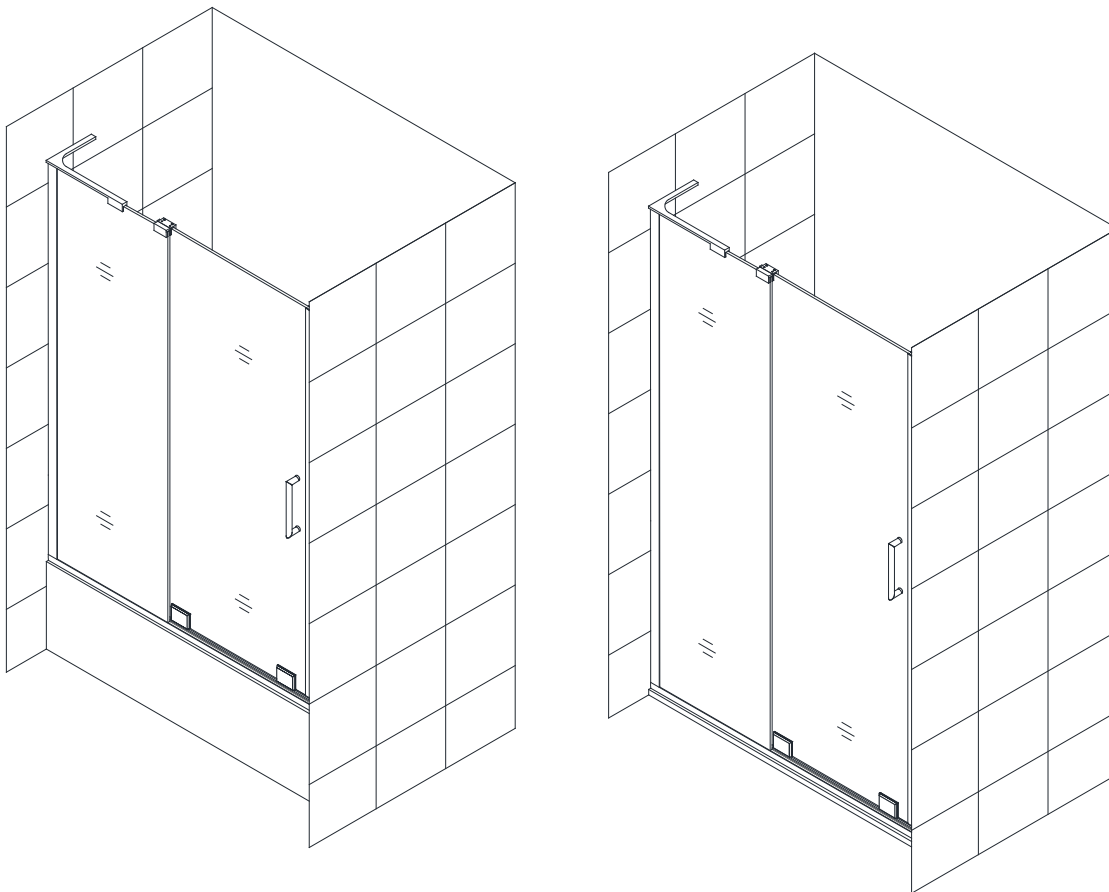
MODEL #s

SHDR-1948723L-##
SHDR-1960723L-##
SHDR-1948723R-##
SHDR-1960723R-##
SHDR-1960580L-##
SHDR-1960580R-##

##=finish

01- Chrome

04- Brushed Nickel



Right-hand door installation shown

Questions?

Please Call **DreamLine** Customer Support: **1-855-831-2126**
Hours of Operation M-F 8AM - 7PM EST and Saturday 9AM - 5PM EST

Support@DreamLine.com



For more information about DreamLine[®] Shower Doors, Tub Doors & Enclosures, please visit **DreamLine.com**



This model is treated with DreamLine's exclusive ClearMax™ Glass technology. This is a specially formulated coating that prevents the buildup of soap and water spots.

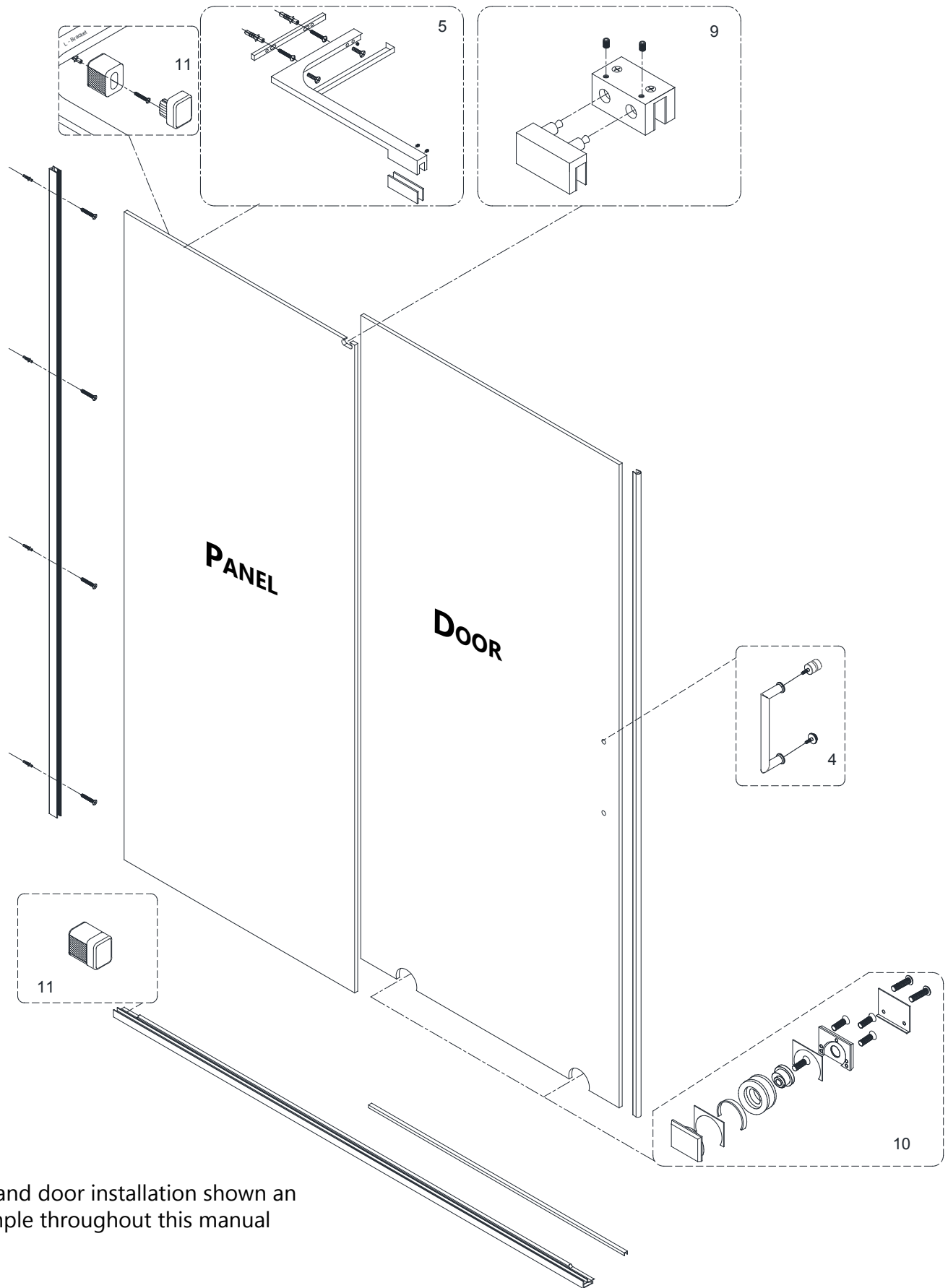
Install the surface with the ClearMax™ label towards the inside of the shower. Please note that depending on the model, the glass may be coated on either one or both surfaces.

For best results, squeegee the glass after each use and dry with a soft cloth.

Table of Contents

Section title	Page #
Model Diagram	2
Preparation	3
Tools	4
Parts List	5-6
Installation Steps	7-24
Bumpers	11-13
L-Bar	11, 15-16
Roller Assembly	17-18, 21-22
Vinyl Seals	20 & 23
Product maintenance	25

Model Diagram



Right-hand door installation shown as an example throughout this manual

Preparation

1. Prior to installation, examine all boxes and packages for shipping damage and compare the piece count with your packing slip. After opening all boxes and packages read this introduction carefully. Check that all of the needed parts are included in the package by checking off the components on the "Detailed Diagram of Shower Door Components". If the unit has been damaged, has a finishing defect, or has missing parts, please contact our customer support department within **3 business days** of the delivery date. **Please note that DreamLine® will not replace any damaged products or missing parts free of charge after 3 business days or if the product has been installed.** Contact DreamLine® if you have any questions, and please provide an order number, job name or other proof of purchase to help identify the original order.
2. **Please note that you should consult your local building codes with questions on installation compliance standards. Building and plumbing codes may vary by location, and DreamLine® is not responsible for code compliance standards for your project and will not accept any returns.**
3. If this unit is going to be installed in a new construction, please install all of the required plumbing and drainage before installing the shower. Use a competent and licensed (if required by local code) plumber for all plumbing installation
4. Make sure that prior to beginning the installation, the surfaces are leveled and solid and will be able to support the total weight of the unit. Also make sure the walls are at right angles. Irregular installation surface level, radius corners or improper angle of side walls will result in serious problems for your installation. Please, note that some adjustments and drilling might be necessary during the installation process.
5. Protect all primary surfaces of the product during installation. Never set your glass down directly onto a tile floor. Leave corner protectors in place until necessary to remove them. Always use a piece of wood or cardboard to protect the bottom edge and corners of the glass prior to and during installation.
6. This unit must be installed upon a finished threshold and against finished walls.
7. This model can be adjusted **up to 3/8" on the panel side only** for out-of-plumb conditions within the u-channel. Verify that the walls are plumb before proceeding with the installation.
8. **This model requires that you drill into the threshold for proper installation.**
9. This model requires a minimum **1-3/8"** of flat threshold space for installation.
10. **This model requires two installers.**
11. **Professional installation recommended.**
12. **This model is available with either a LEFT or RIGHT hand L-Bar™ for support. Please be certain that you have ordered the correct model for your application prior to installation.**

NOTE: This manual will describe the shower door installation using a LEFT handed L-Bar™.

For the Right handed L-Bar™ installation, simply begin your installation on the opposite wall and reverse the orientation of the parts as necessary.

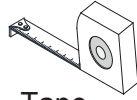


NOTE: DO NOT attach the handle to the door glass until instructed to do so. DO NOT use the handle to lift the glass during installation. This may result in damage to the glass and/or serious injury. Always use an assistant or a professional grade glass suction cup when handling heavy glass.

Tools



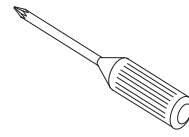
Level



Tape Measure



Pencil



Phillips Screwdriver



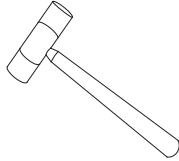
Drill bit
(Ø8mm)
(Ø5/16")



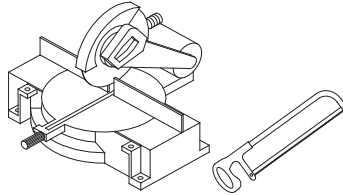
Drill bit
(Ø3mm)
(Ø1/8")



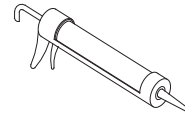
Power Drill



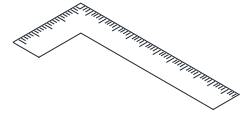
Hammer



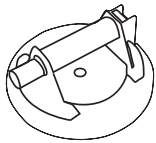
Miter Saw or Hacksaw



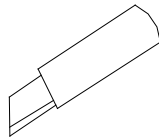
Silicone



Carpenter's Square



Professional grade
Glass suction cup

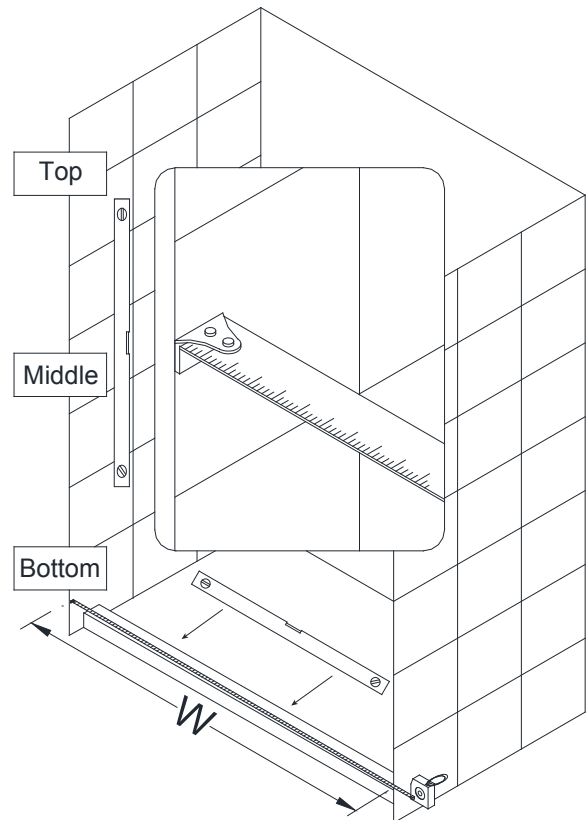


Razor Knife

Tip: Measure the finished opening before proceeding with the installation to be sure that the correct model size has been ordered.

Tip: Prior to installation, cover the shower/tub drain with tape to prevent losing screws or small parts.

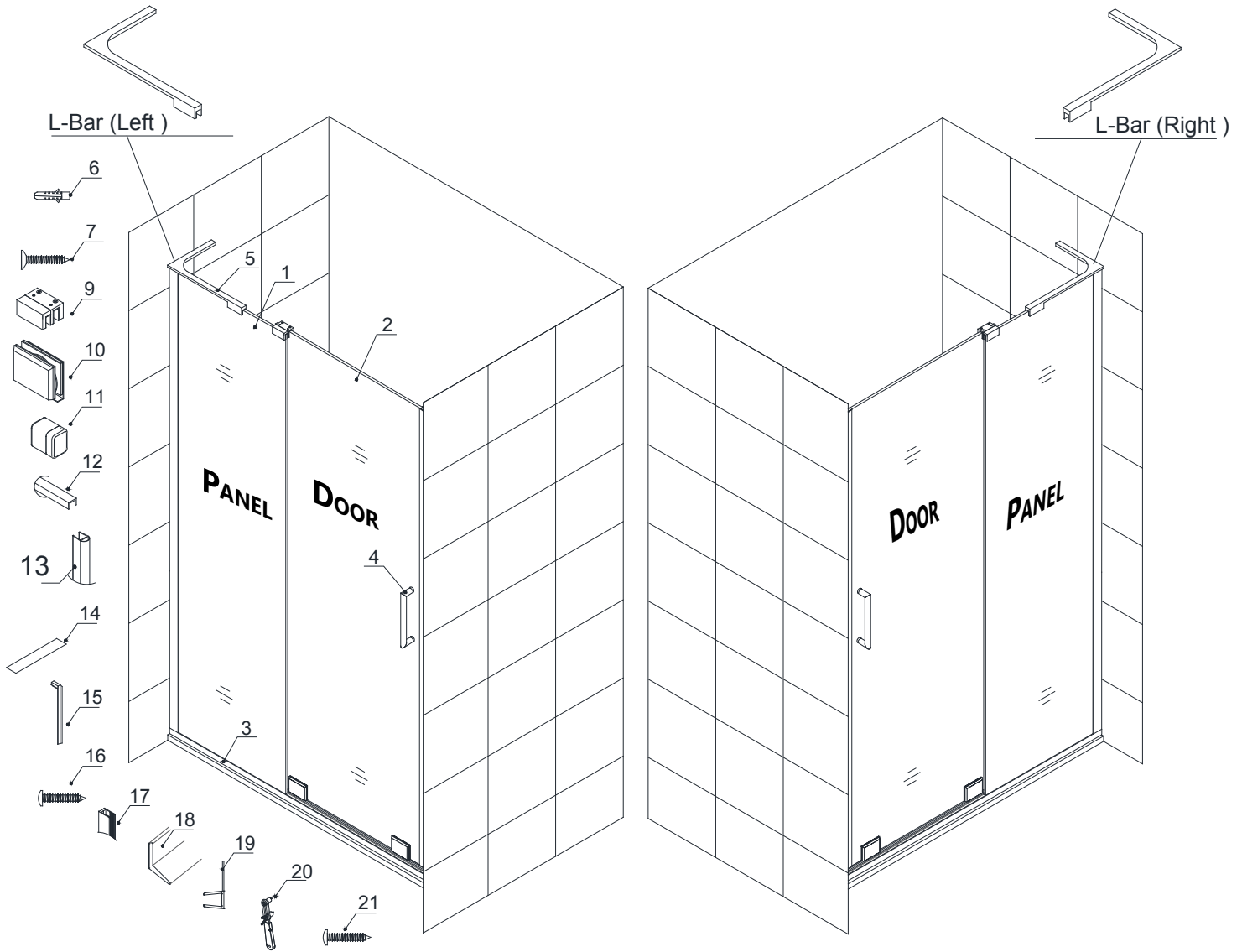
Tip: Set screw gun clutch to low setting when installing screws and bolts to prevent stripping the heads.



NOTE: Unpack your unit carefully and inspect it. Lay it out and identify all parts using the detailed diagram and packing list in this manual as a reference. Before discarding the carton, check for small hardware bags that may have fallen to the bottom of the box. If any parts are damaged or missing, please contact DreamLine® for replacement. The shipping boxes may contain extra parts not used in your model configuration.

NOTE: Retain these installation instructions for future reference.

Detailed Diagram of shower door components



Right-hand door installation

Left-hand door installation



NOTE: This model is available in either a shower height or a tub height. This manual will describe the installation steps showing a shower height model. Please follow the same sequence of installation steps for the tub height model installation.

Parts List

Item#	PART NUMBER	ITEM	QTY	Item#	PART NUMBER	ITEM	QTY
01	010260003	Stationary Panel Glass	1pc	12	07121063	Bottom Rail insert	1pc
02	010260006	Door Glass	1pc	13	063007100-1804	Bottom seal strip	1pc
03	04170011-1574	Bottom Guide Rail	1pc	14	07551088	0.5mm Bottom Spacer Strip	1pc
04	07221002	Handle (203mm centers)	1pc	15	098002/098003	Allen Wrench 2.5mm,3mm	1ea
05	07121048	L - Bar™ (Left and Right)	1set	16	091105	Round Head screw ST4.2x30	3pc
06	07550045	5/16"Ø8mm Plastic Wall Anchor	9pcs	17	04154001-1453	Wall profile / U-channel	1pc
07	092108	Countersunk screw ST4.2x40	6pcs	18	063023000-0484	Bottom Deflector (2x82mm;1x484mm)	3pc
09	07011102	Guide Block	1pc	19	063002100-1804	Anti-Water Side Strip (1x1804mm)	1pc
10	07311019	Bottom Roller	2pcs	20	098008	Roller Adjustment tool	1pc
11	07021154	Bumper	2pcs	21	091107	Small truss Head screw ST4.2x40	3pc

Box Contents

01	Glass Box (GL)	01, 02, 13, 14, 18, 19	
02	Aluminum Acc Box (AC)	03, 04, 06, 07, 09, 10, 11, 12, 15, 16, 17, 20, 21	
03	Spare Accessory bag	06, 07, 16, 21	3 each



**The glass surface
with the ClearMax™
label must be
installed to face
inside of the shower**

Installation steps

1. Measure the finished opening at the top, middle and bottom.

The bottom width dimension will be "**W**". Also check the threshold for level and the walls for plumb.

Note that this model will provide up to 3/8" of adjustment for out-of-plumb conditions within the U-Channel on the **panel side only**. (Fig 1)

This model requires a minimum threshold width of 1-3/8"

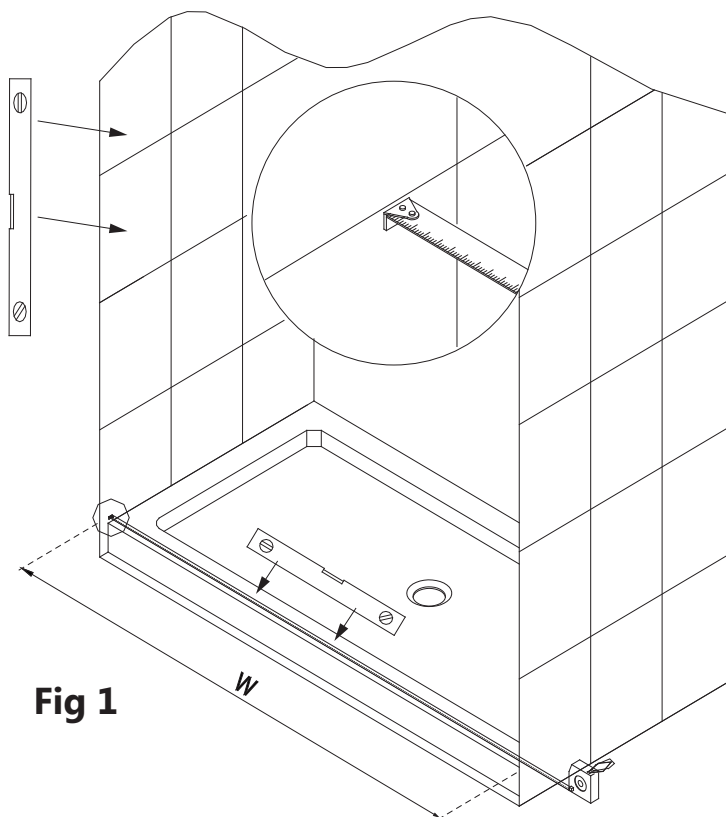


Fig 1

2. Subtract 1/16" from your "**W**" dimension.

(**W** (-)1/16" = **L**) "**L**" = finished cut length.

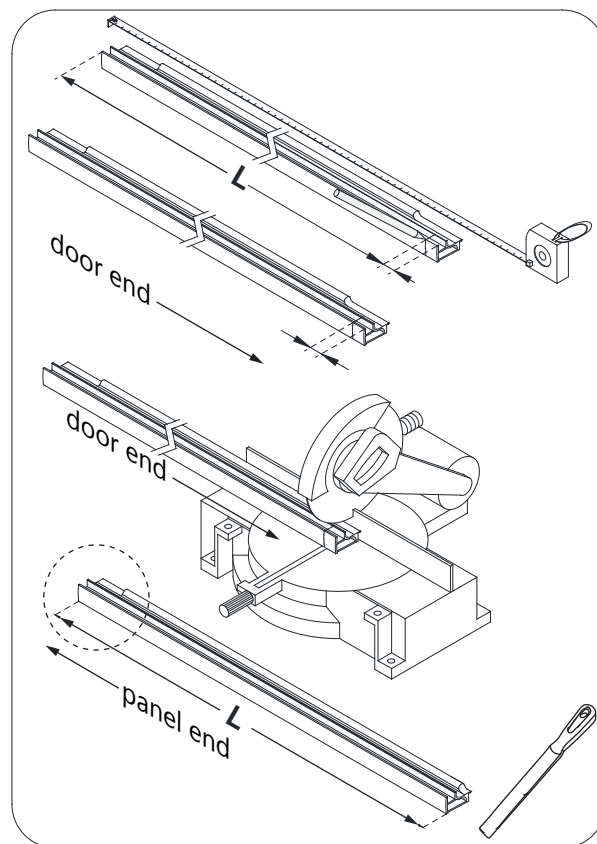
Use a miter saw or hack saw to cut your **Bottom Guide Rail (#03)** to the finished cut length "**L**". Use a metal file to file off any burrs from the cut end of the Bottom Rail.

(Fig 2)

! **NOTE:** Only cut from the end of the bottom rail that will be installed on the door side of the opening.

NOTE: The **Bottom Guide Rail (#03)** is made 2" larger than the model size:
(48" model = 50" bottom rail, 60" model = 62" bottom rail). The rail is milled at both ends to accommodate the bottom bumper for the panel side. This milling will be cut off on the door end when the bottom rail is cut to size to fit the finished opening.

NOTE: If it is necessary to drill new attachment holes into the bottom guide rail after cutting to size : drill a **Ø3/16"** hole throughout and then a **Ø5/16"** hole through the top layer only. (Refer to the existing holes in the rail for example)



Bottom Rail cut for right-hand door installation shown as an example

Fig 2

3. Place the **Bottom Guide Rail (#03)** onto the threshold and mark its position. Use a tape measure to keep **Bottom Guide Rail (#03)** parallel with the outside edge of the threshold. **(Fig 3)**

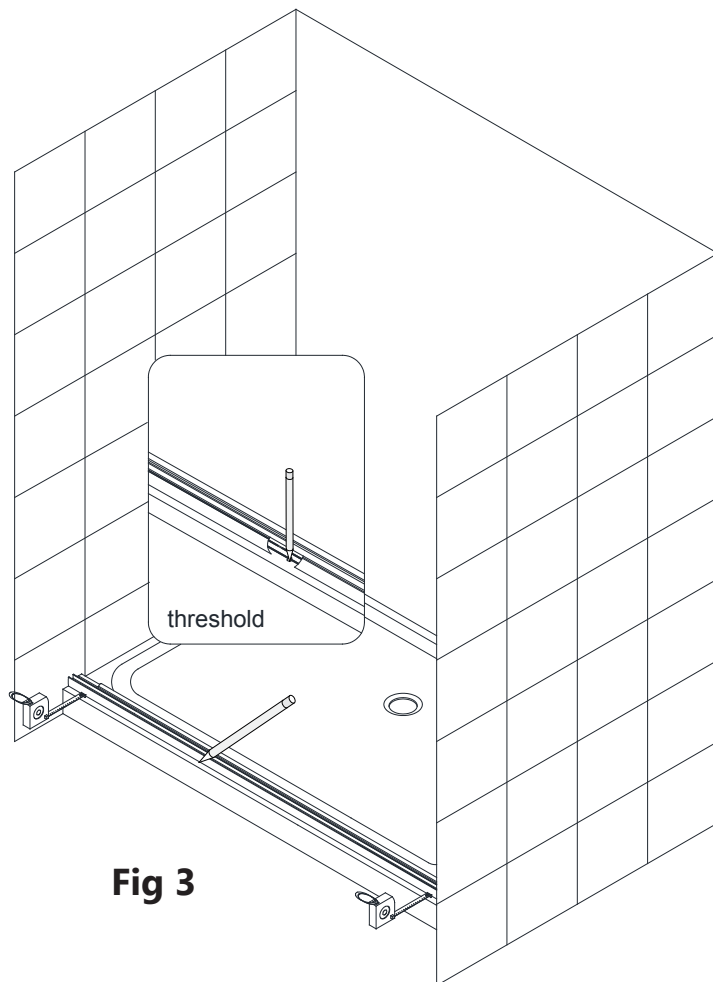


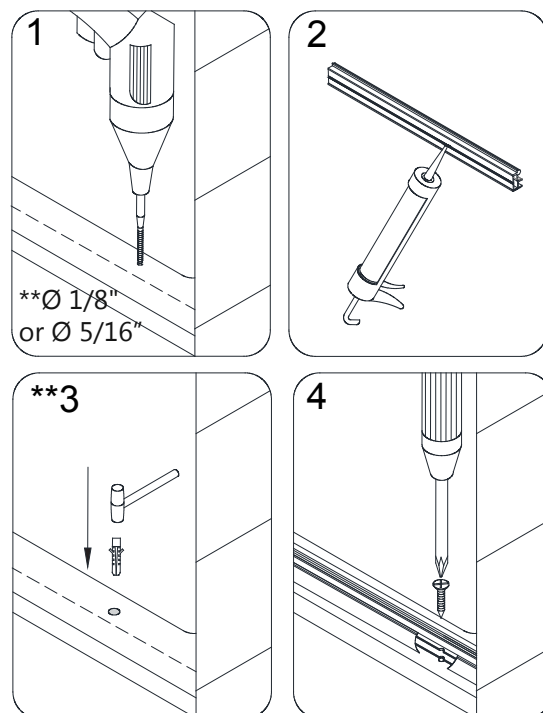
Fig 3

4. Mark the position of the holes on the threshold through the holes in the **Bottom Guide Rail (#03)**

- *NOTE:** Use a power drill to make the holes using:
- $\varnothing 1/8''$ drill bit (for installation into an acrylic threshold)
 - $\varnothing 5/16''$ drill bit (using anchors into a tile threshold)**

Apply silicone to the underside of the **Bottom Guide Rail (#03)** and attach it to the threshold using:

- **ST4.2 x 30mm TH screws (#16) OR**
 - **ST4.2 x 40mm TH screws (#21) (with **anchors for tile).**
- (Fig 4)**



**Use anchors for installation into a tile threshold only

Fig 4

5. Position the **Wall Profile/U-Channel (#17)** against the wall, on top of the **Bottom Guide Rail (#03)**, and flush with the outside of the **Bottom Guide Rail (#03)**. Adjust to plumb using a level. **(Fig 5)**

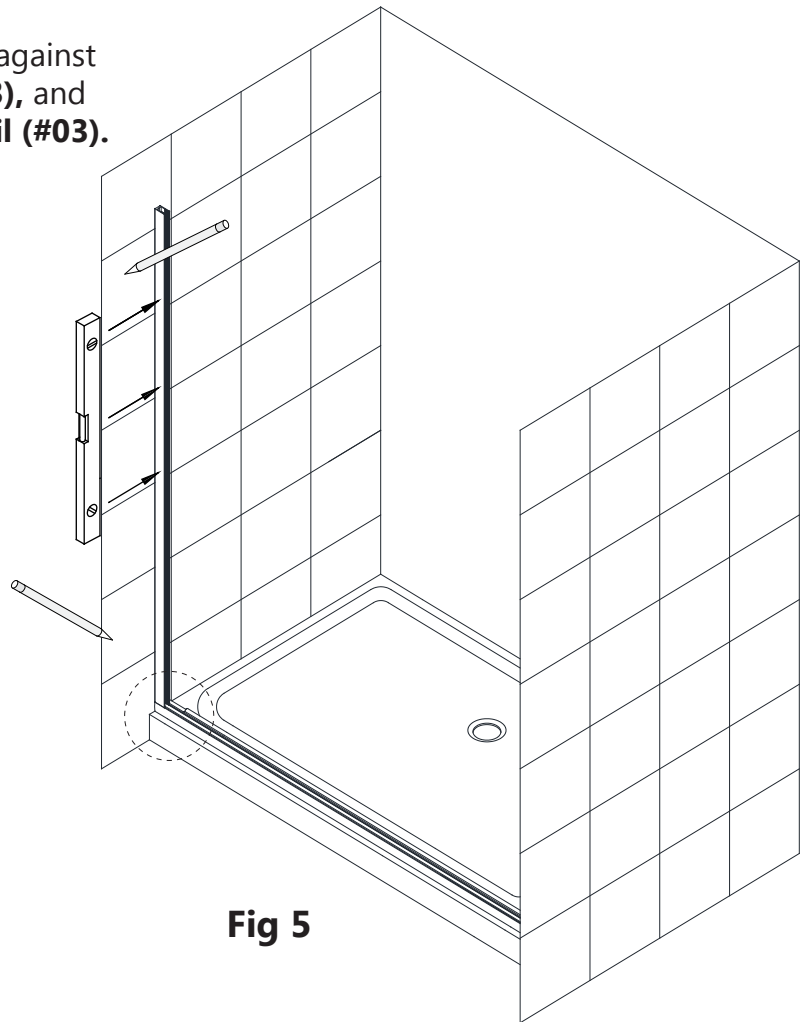


Fig 5

6. Mark the **Wall Profile/U-Channel (#17)** position on the wall and also mark the hole locations for drilling. Remove the **Wall Profile/U-Channel (#17)** and drill **Ø5/16" (6mm)** holes into the wall. Insert the **Wall Anchors (#06)**. Apply a bead of silicone to the wall or to the back of the **Wall Profile/U-Channel (#17)**. Attach the **Wall Profile/U-Channel (#17)** to the wall using the **ST4.2 x 40 screws (#07)**. **(Fig 6)**

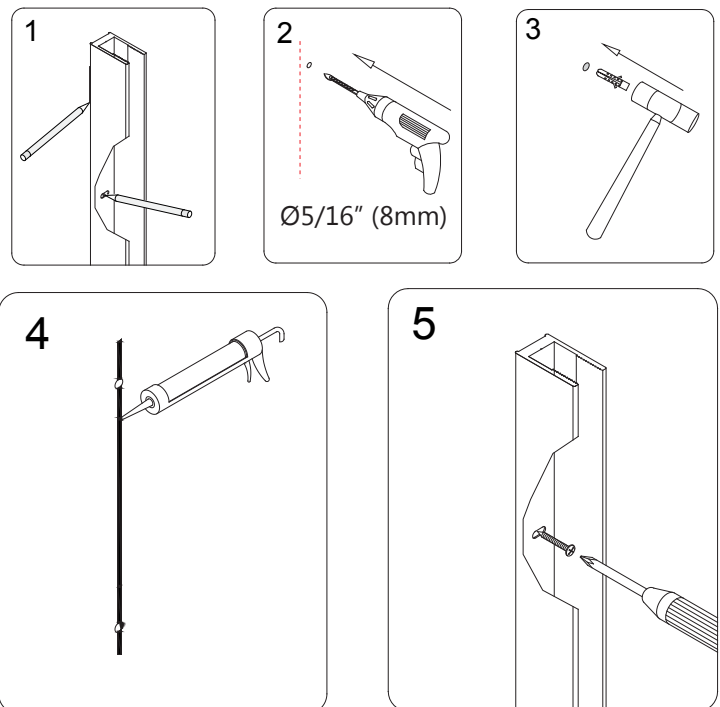


Fig 6

7. Cut the 0.5mm Bottom Spacer Strip (#14) into three to four 2" pieces and place them into the Bottom Guide Rail (#03) to protect the bottom edge and corners of the Stationary Panel Glass (#01). (DO NOT install one long continuous strip). (Fig 7)

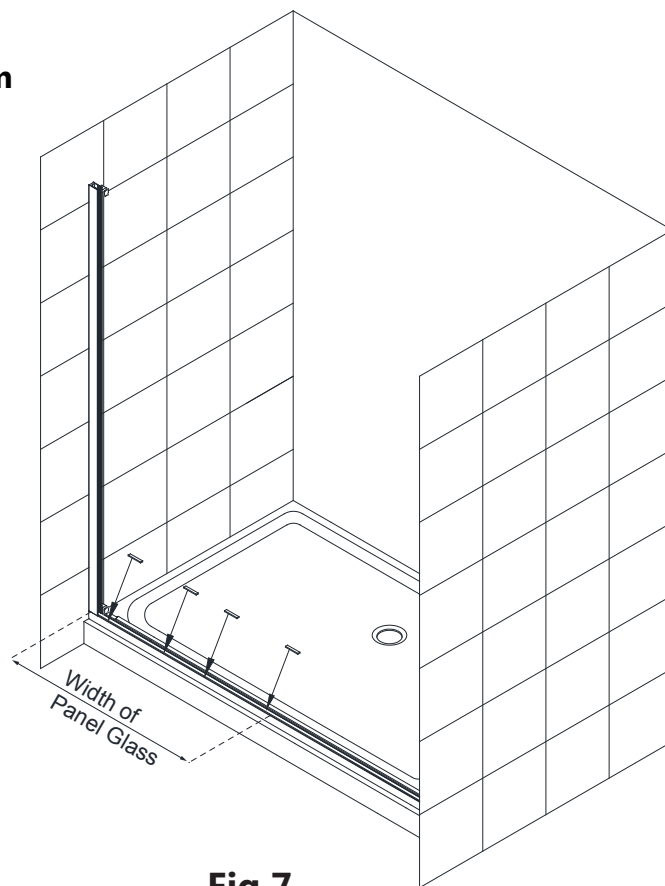
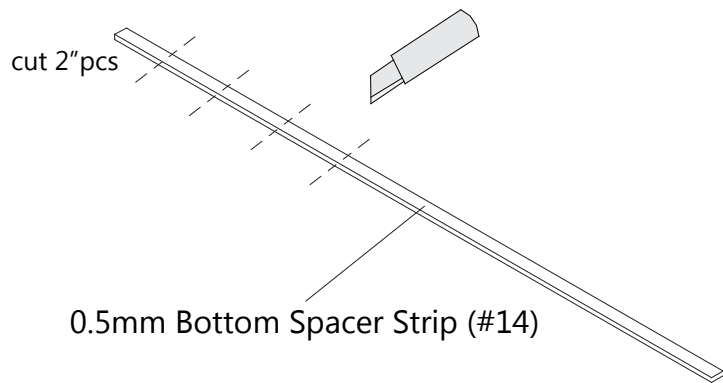


Fig 7

8. Dry fit the Stationary Panel Glass (#01) into the Wall profile/U-Channel (#17) and Bottom Guide Rail (#03). (Fig 8)

NOTE: The panel-side Wall profile/U-channel (#17) will allow for up to 3/8" of out-of-plumb adjustment. Use a level to confirm that the Stationary Panel Glass (#01) is installed plumb and level.

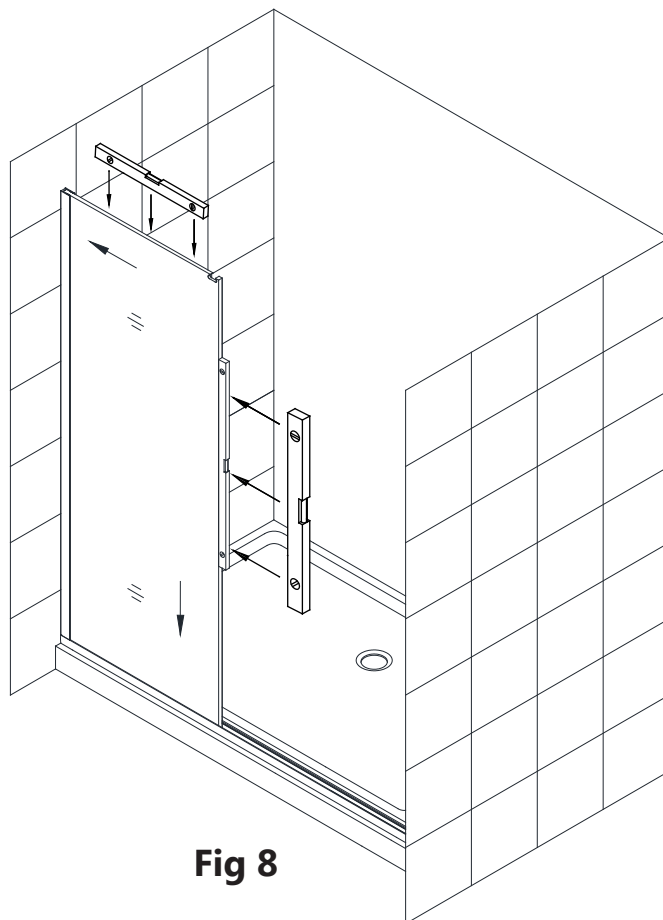


Fig 8

9. Position the **L-Bar™ (#05)** onto the **Stationary Panel Glass (#01)** as shown and mark the position on the wall.
 Remove the **Wall Plate (#5.6)** and mark the holes for drilling. Drill two **Ø5/16" (8mm)** holes and insert the **Wall Anchors (#06)**.
 Attach the **Wall Plate (#5.6)** using **ST4.2 x 40 (#5.7)** screws. **(Fig 9)**
(See Page 15 for additional L-Bar details)

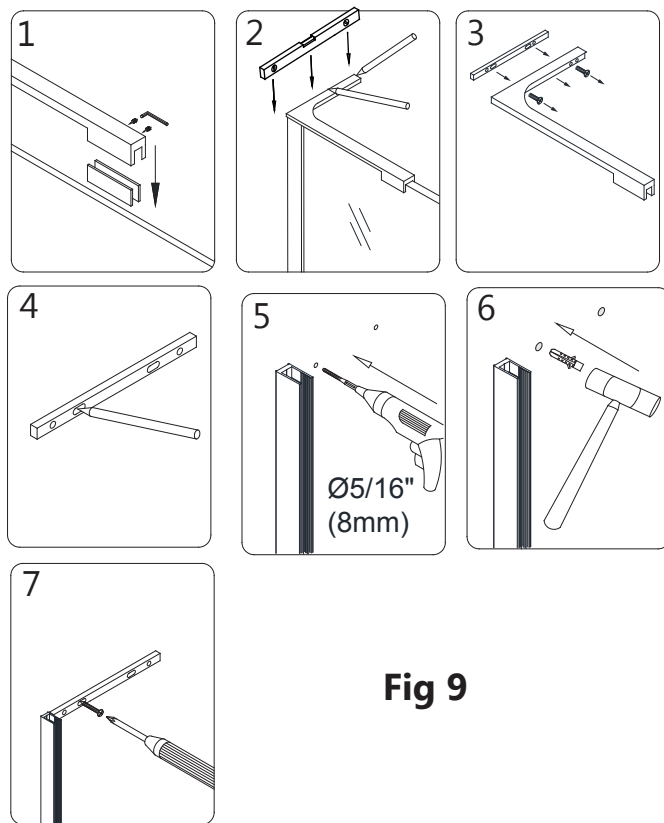
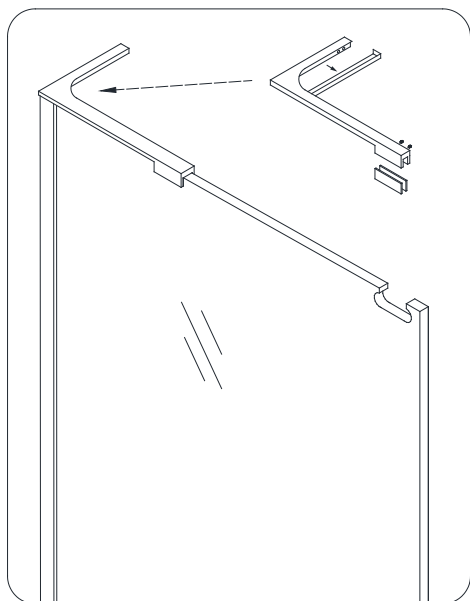


Fig 9

NOTE: The top **Bumper (#11)** needs to be installed with a screw, beneath the **L-Bar™ (#05)** and against the **Wall profile/U-Channel (#17)**. The bottom **Bumper (#11)** is installed with **3M tape** only. Attaching the bottom **Bumper (#11)** with a screw is optional. **(Fig 10, Fig 12 and Fig 13)**

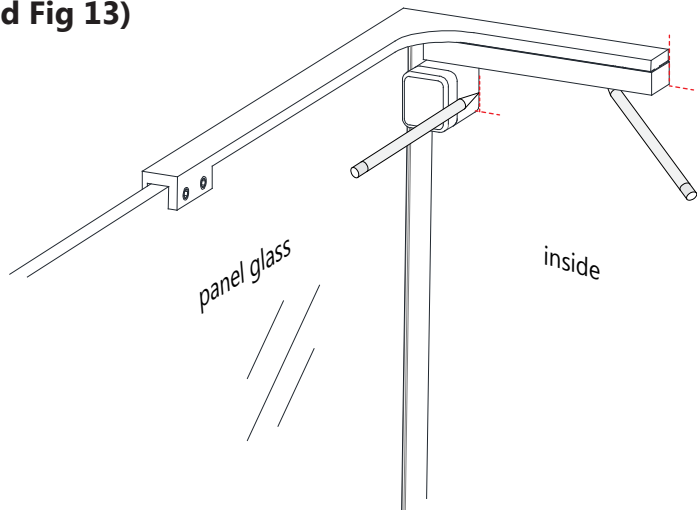
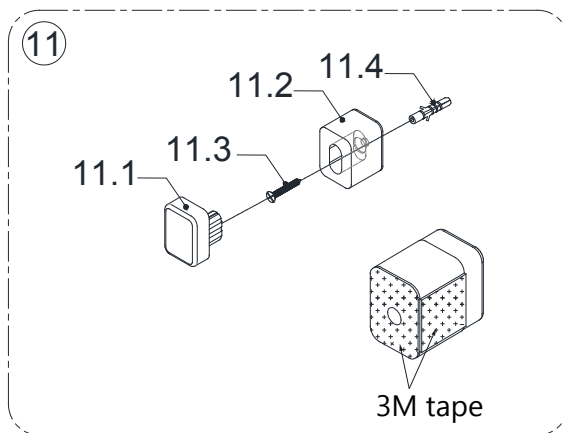


Fig 10



Bumper #11 parts list

11.1	Bumper insert	1pc
11.2	Bumper base	1pc
11.3	ST4.2x40	1pc
11.4	Wall Anchor	1pc

10. Remove the **Stationary Panel Glass (#01)** and the 2" pieces of the **0.5mm Bottom Spacer Strips (#14)**. (Fig 11)

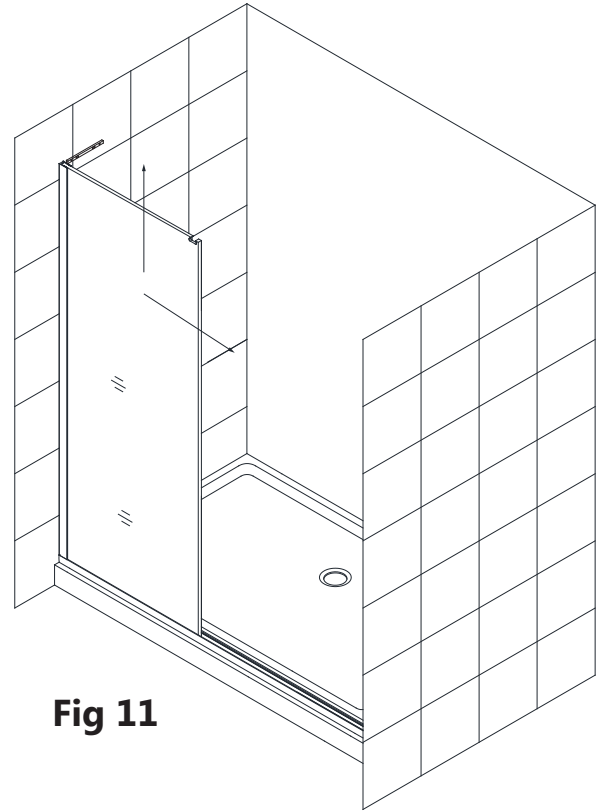


Fig 11

11. To install the top **Bumper (#11)**: Remove the **Bumper insert (#11.1)** and hold the **Bumper base (#11.2)** in place against the **Wall profile/U-Channel (#17)** below the **L-Bar™ (#05)** (Fig #12.1) to mark the position on the wall and to mark the hole for drilling. Drill a **Ø5/16"** hole and insert a **Wall anchor (11.4)**. Clean the area with an alcohol swab. Remove the **3M tape backing** from the **Bumper (#11)** (Tape optional if using screw). Install the **Bumper base (#11.2)** with the **ST4.2 x 40 screw (#11.3)** and replace the **Bumper insert (#11.1)**. (Fig 12)

Position the top Bumper (#11) approximately 1/16" below the L-Bar bracket to allow space to install the decorative cover in a later step

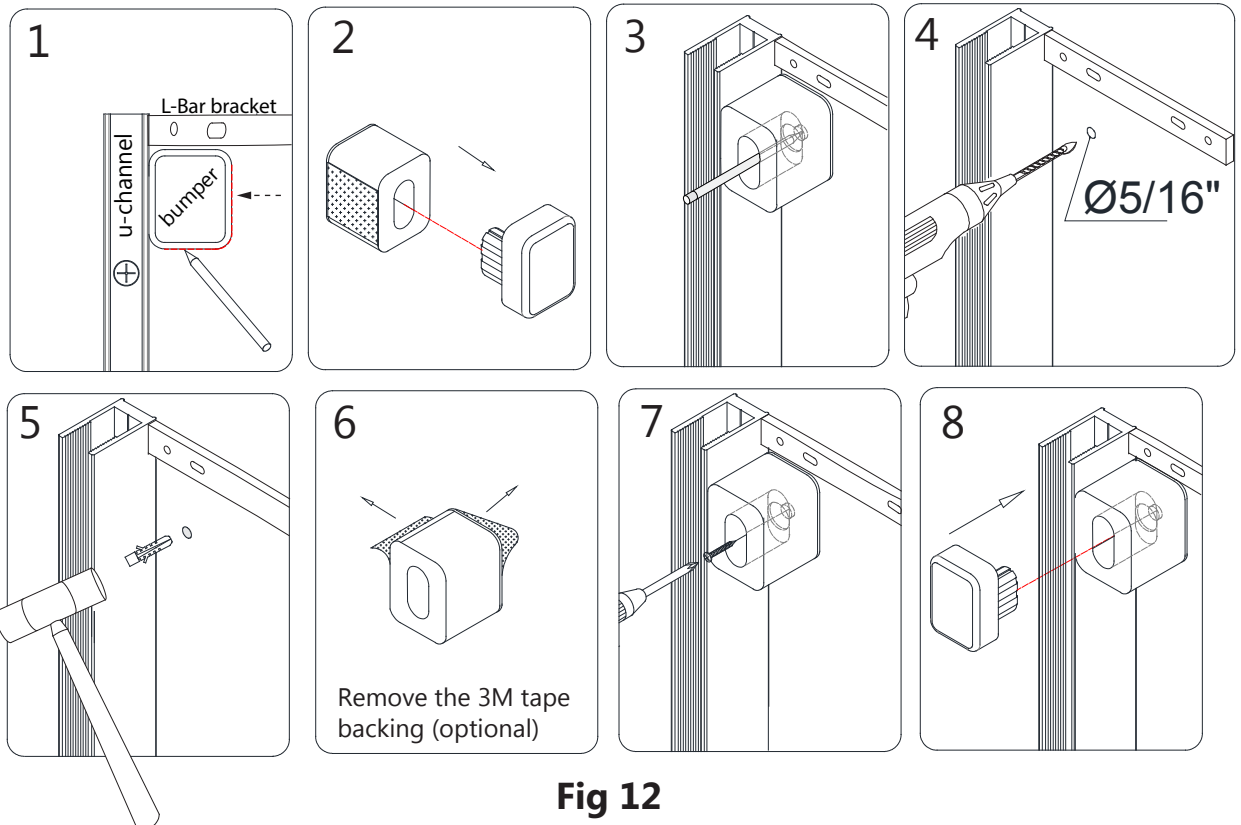


Fig 12

12. To install the bottom **Bumper (#11)**; First, clean the area with an alcohol swab. Remove the **3M tape backing** from the **Bumper (#11)** and install the **Bumper (#11)** onto the **Bottom Rail (#03)** firmly against the wall and the **Wall profile/U-Channel (#17)**. (**Fig 13**)

(Attaching the bottom **Bumper (#11)** with a screw is optional)

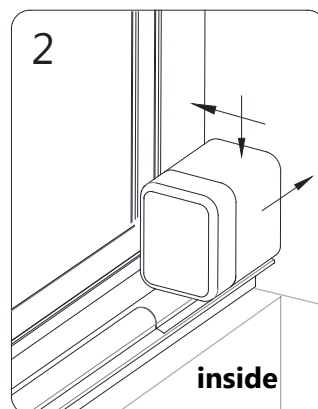
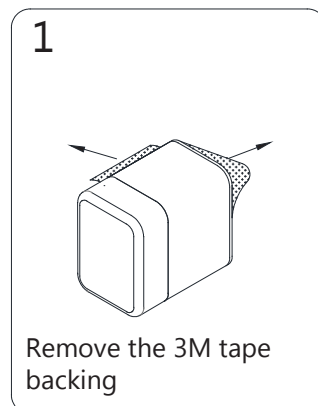
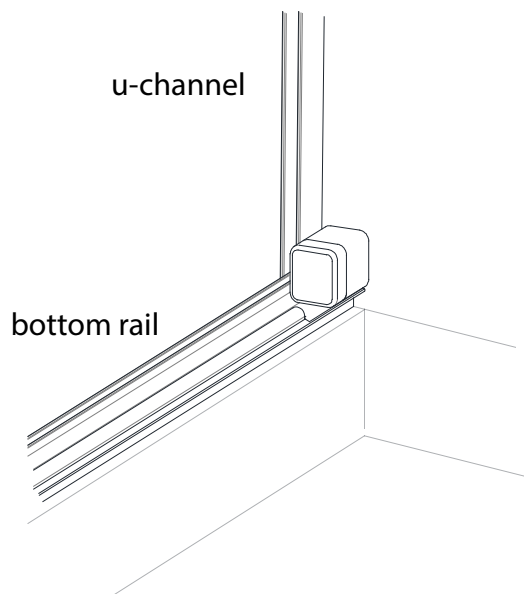


Fig 13

13. Apply silicone into the **Wall profile/U-Channel (#17)** and into the **Bottom Guide Rail (#03)** equal to the width of the panel glass. (**Fig 14**)

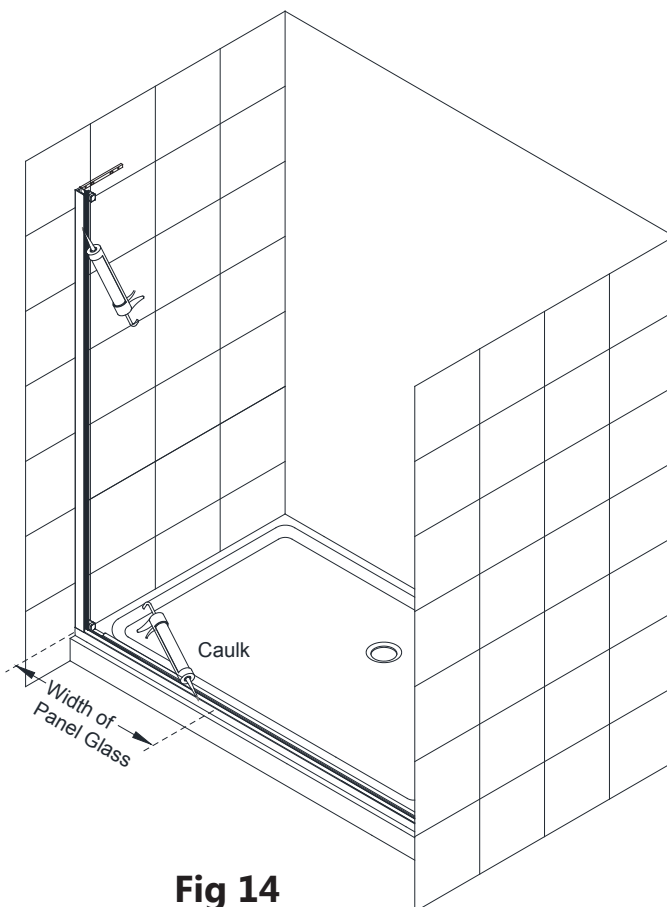


Fig 14

14. After applying silicone into the **Bottom Guide Rail (#03)**, add the 2" pieces of the **0.5mm Bottom Spacer Strip (#14)** into the **Bottom Guide Rail (#03)** to protect the bottom edge and corners of the **Stationary Panel Glass (#01)**. **(DO NOT install one long continuous strip).** (Fig 15)

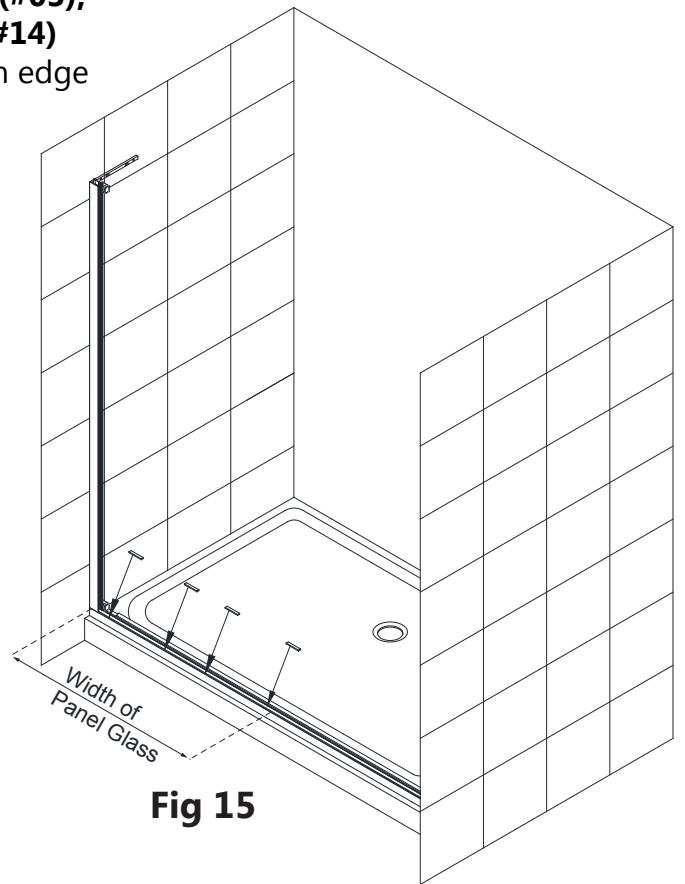


Fig 15

15. Re-install the **Stationary Panel Glass (#01)** into the **Wall profile/U-Channel (#17)** and **Bottom Guide Rail (#03)**. (Fig 16)

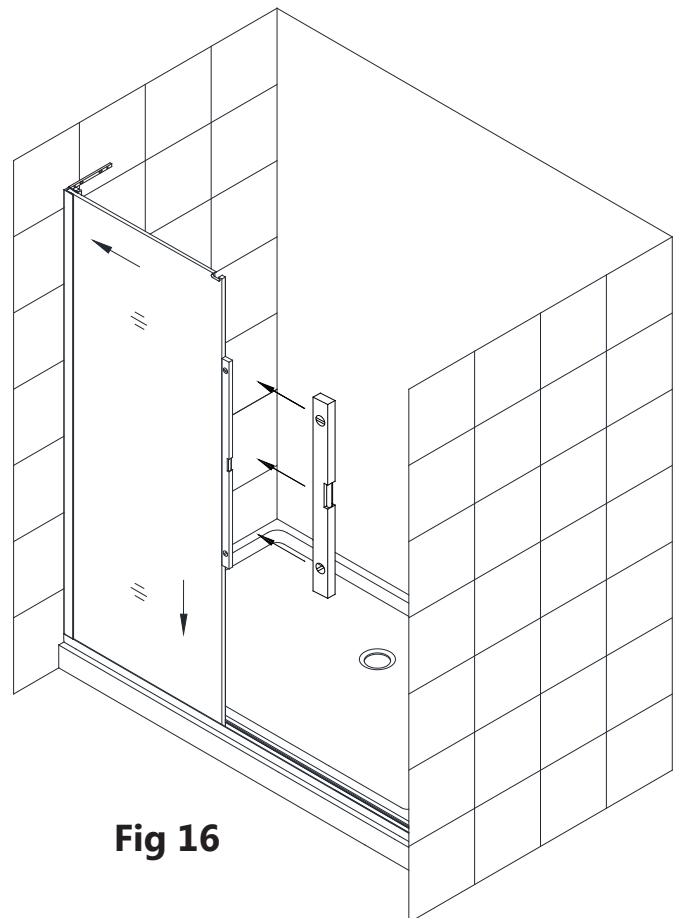
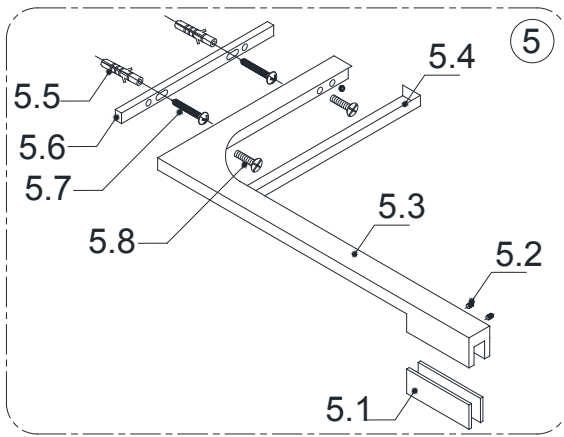


Fig 16

12. After the **Stationary Panel Glass (#01)** is installed into the **Wall Profile/U-Channel (#17)**, install the **L-Bar™ (#5.3)** to the **Wall Plate (#5.6)**. (**Fig 17** and **Fig 18**)

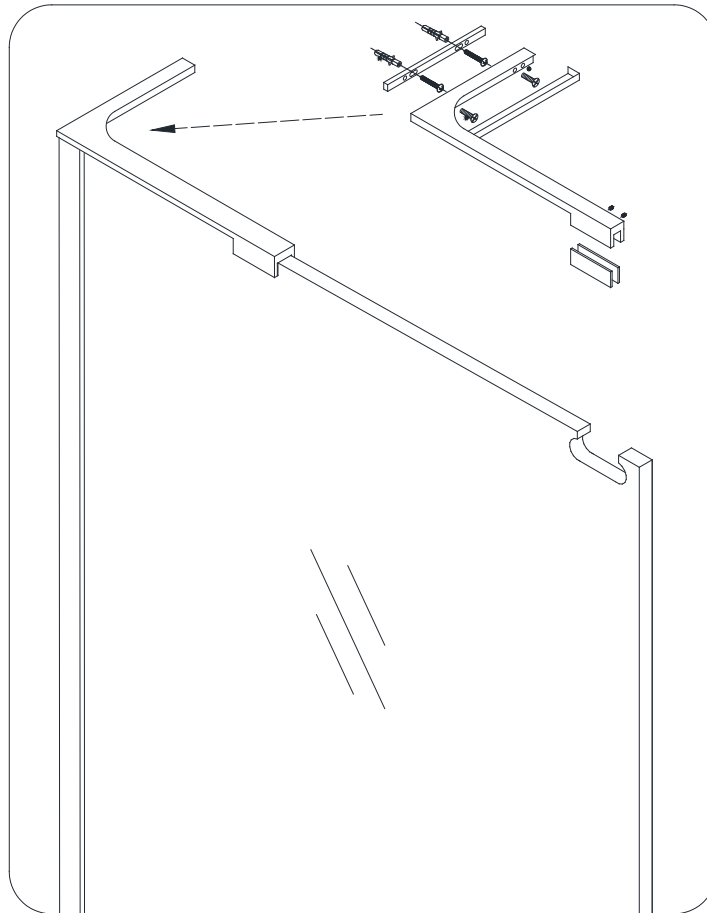
Left **L-Bar™** installation shown as an example



L-Bar parts list

5.1	Rubber pad	2pcs
5.2	M5 rubber tip set screw	2pcs
5.3	L-Bar	1pc
5.4	Decorative cover	1pc
5.5	Wall Anchor	2pcs
5.6	Wall plate	1pc
5.7	ST4.2x40	2pcs
5.8	M5x14.5 Screw	2pcs

Fig 17



Left L-Bar installation shown as an example

Fig 18

13. Re-attach the **L-Bar™ (#5.3)** to the **Wall Plate (#5.6)** and adjust the angle (+/-)3/16" (4mm) if necessary using the set screws (**Fig 19.3 and 19.4**). Tighten all screws and attach the **Decorative Cover (#5.4)**.

Secure the **L-Bar™ (#05)** to the top of the **Stationary Panel Glass (#01)** using the clear gasket and rubber-tipped set screws. (**Fig 19 and Fig 20**)

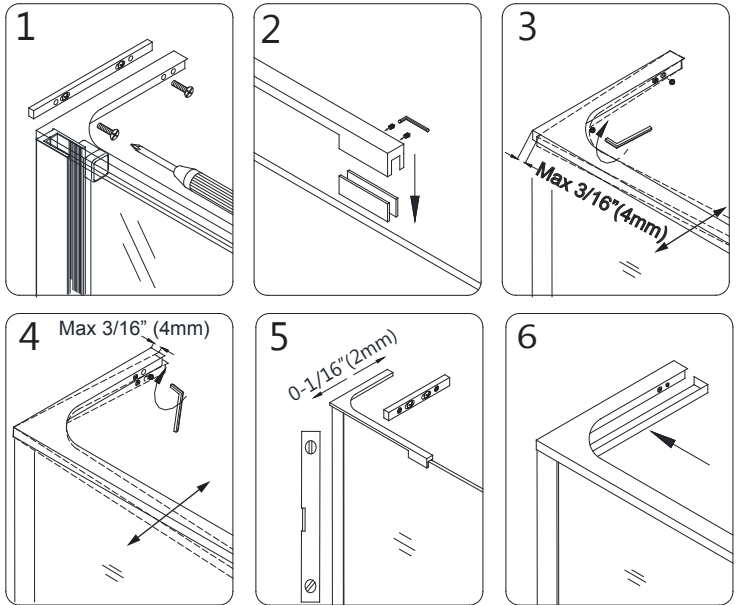


Fig 19

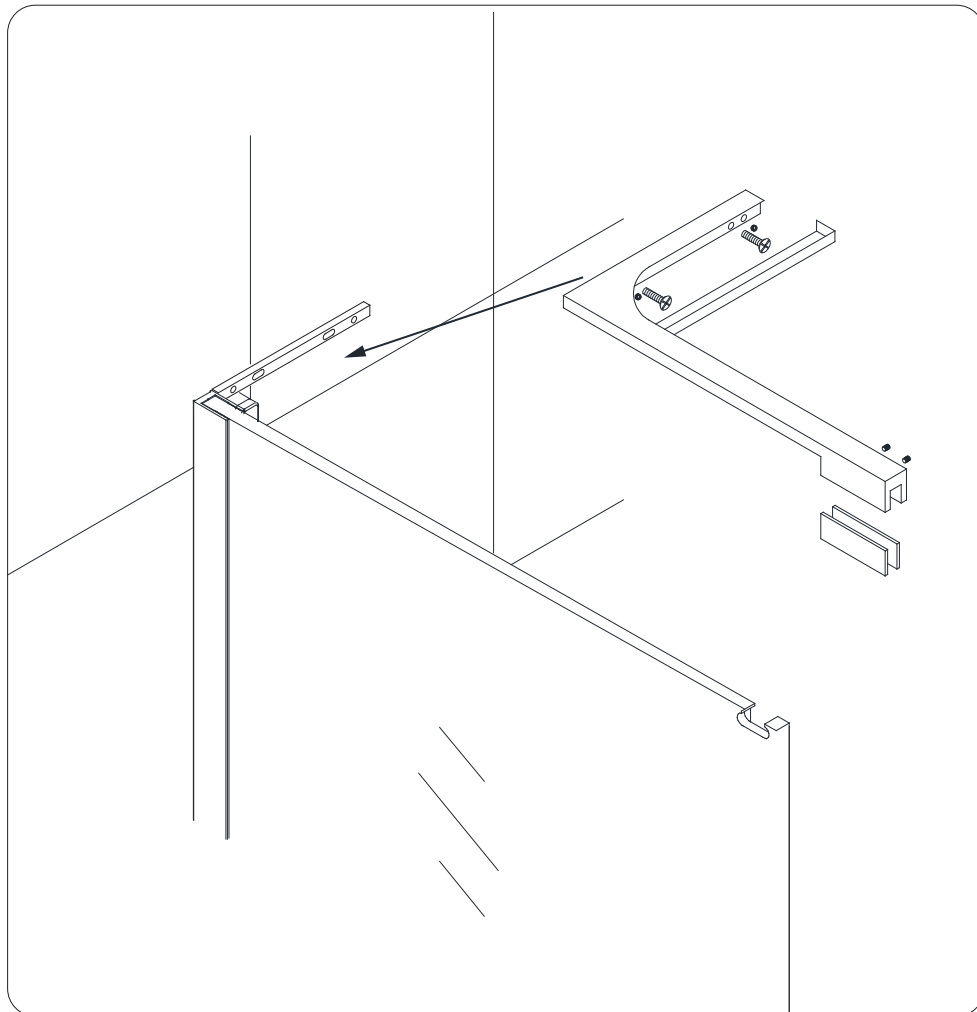


Fig 20

Bottom Roller Assembly (#10)

Parts List

10.1	Roller body (exterior)	1pc
10.2	Rubber pad 1	2pcs
10.3	Rubber pad 2	1pc
10.4	Bearing	1pc
10.5	Adjustment disk	1pc
10.6	M5x14 Allen Bolt	4pcs
10.7	Cover plate	1pc
10.8	Decorative cover plate	1pc
10.9	M5x16 Allen Bolt	2pcs

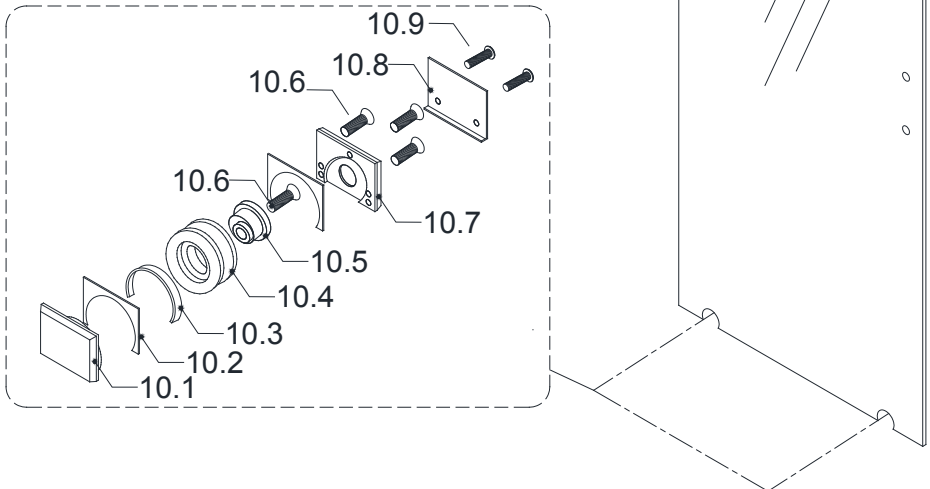
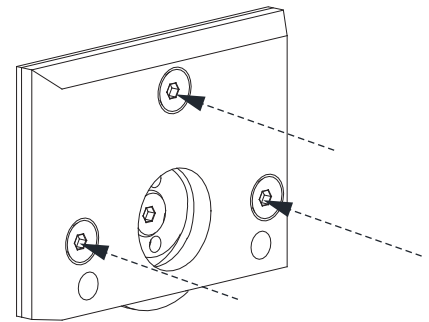


Fig 16



NOTE: Have an assistant available to hold the door glass in position during the next steps until the door is secured in position with the **Guide Block Assembly (#09)**.

14. Remove the **M5 x 16 Allen Bolts (#10.9)** and the **Cover Plate (#10.7)**. Remove the three **M5 x 14 Allen Bolts (#10.6)** and attach the **Roller Assemblies (#10)** to the **Door Glass (#02)**. Make certain that the bolts are facing the inside of the shower and that the roller assemblies are installed squarely onto the glass. (**Fig 17**)



NOTE: DO NOT install the handle onto the door glass until instructed to do so.

DO NOT lift the glass using the handle. This could result in damage to the glass and /or serious personal injury. Always use an assistant or a professional grade glass suction cup when handling heavy glass.

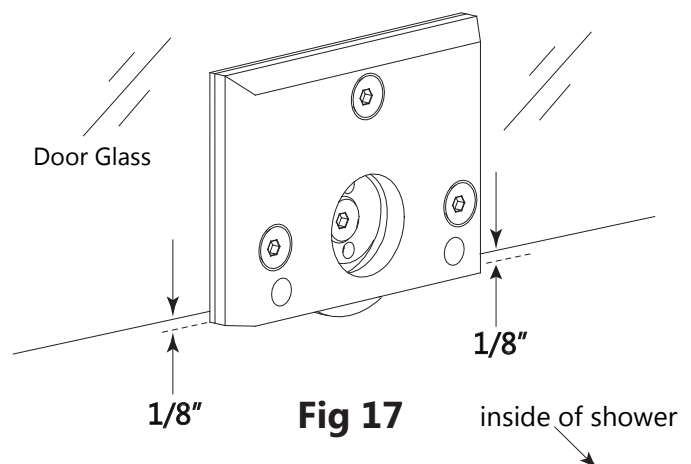


Fig 17

15. Set the **Door Glass (#02)** with the attached **Bottom Roller Assemblies (#10)** onto the **Bottom Guide Rail (#03)**. Have an assistant available to support the **Door Glass (#02)** for the next few steps. (Fig 18)



NOTE: Use caution to prevent the door glass from making contact with the wall during installation.

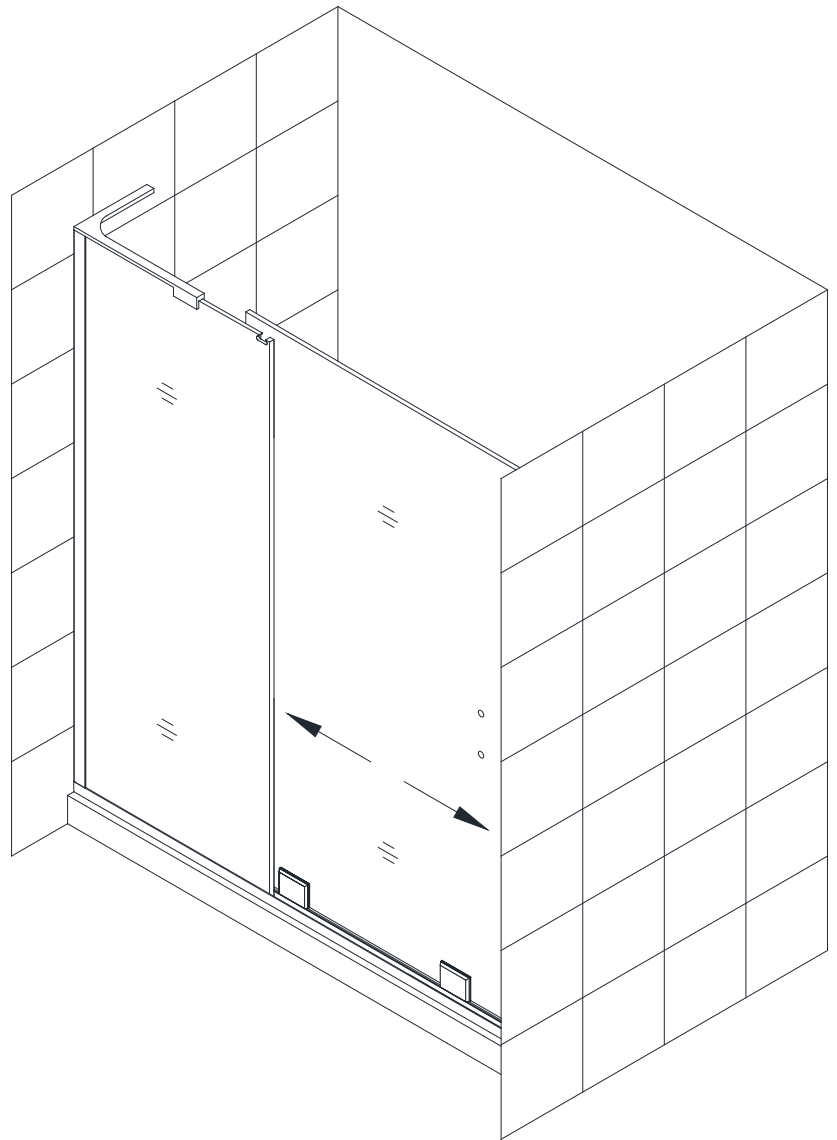
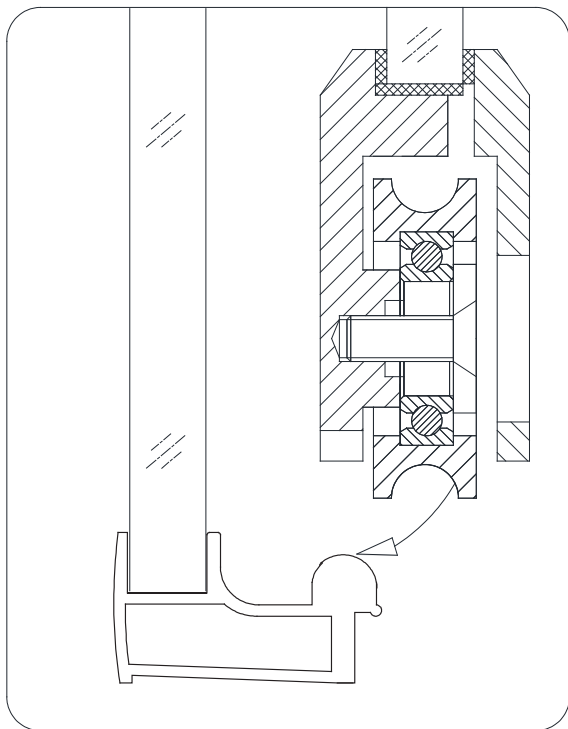


Fig 18

Guide Block Assembly (#09)

Parts List

9.1	Exterior Slider Bracket (for panel)	1pc
9.2	Gasket	2pcs
9.3	Rubber sleeve	2pcs
9.4	Shaft	2pcs
9.5	Sliding pad	1pc
9.6	Sliding Guide Block (for door)	1pc
9.7	M5x10 set screw	2pcs
9.8	M4x4 flat head screw	2pcs

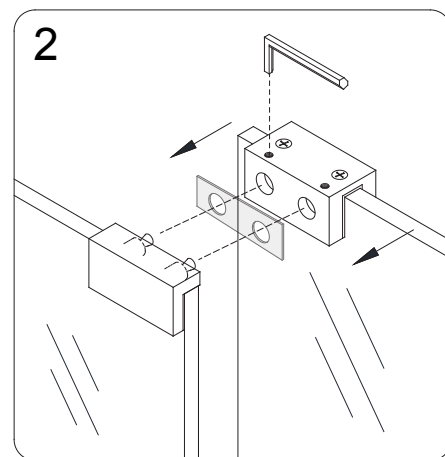
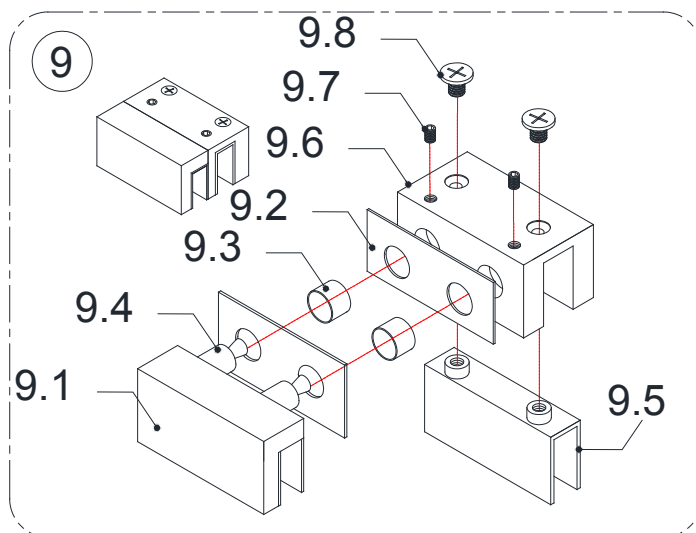
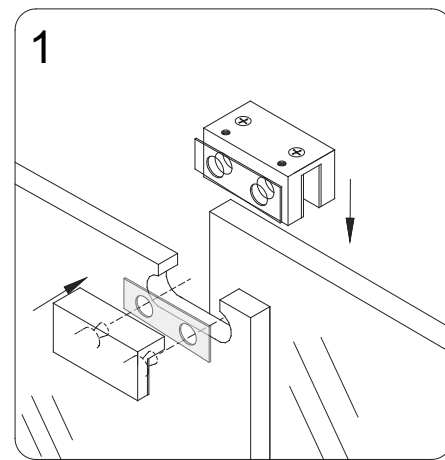


Fig 19

16. Attach the **Exterior Slider Bracket (#9.1)** through the notch of the installed **Stationary Panel Glass (#01)** as shown in **Fig 19.1**, using the **Gasket (#9.2)** and **Rubber Sleeves (#9.3)**.

Next, while holding the **Door Glass (#02)** in place, position the **Sliding Guide Block (#9.6)** onto the **Door Glass (#02)** and attach the two halves of the **Guide Block (#09)** with the **M5 x 10 set screws (#9.6)** using **Allen Wrench (#15)** (**Fig 19.2**). (**Fig 19 and Fig 20**)

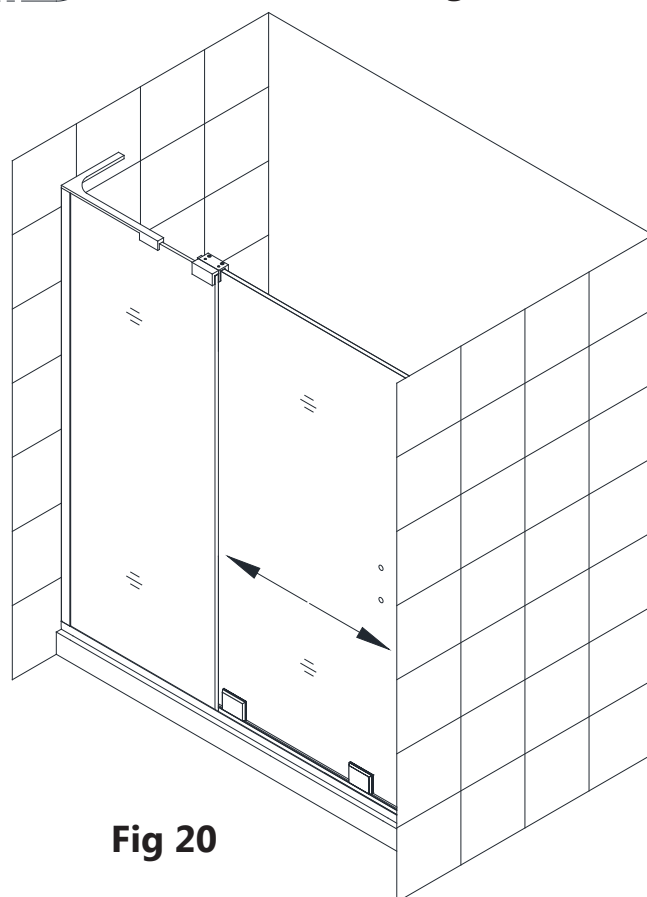


Fig 20

17. Install the **Handle (#04)** to the outside of the **Door Glass (#02)**. (Fig 21.1)

Attach the **Bumper Seal Strip (#13)** to the closing edge of the **Door Glass (#02)**. (Fig 21.2) (Fig 21)

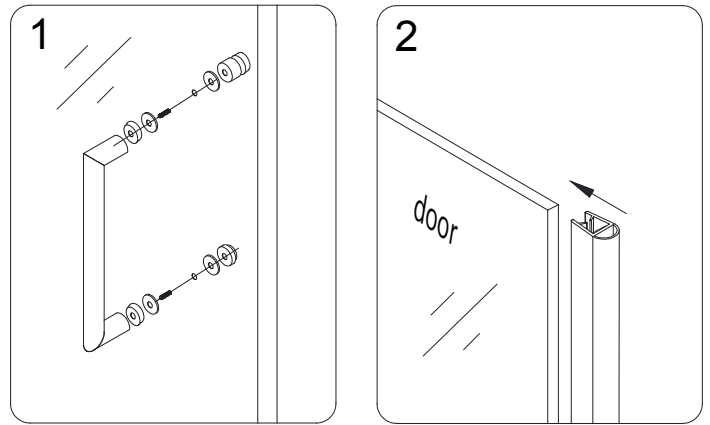
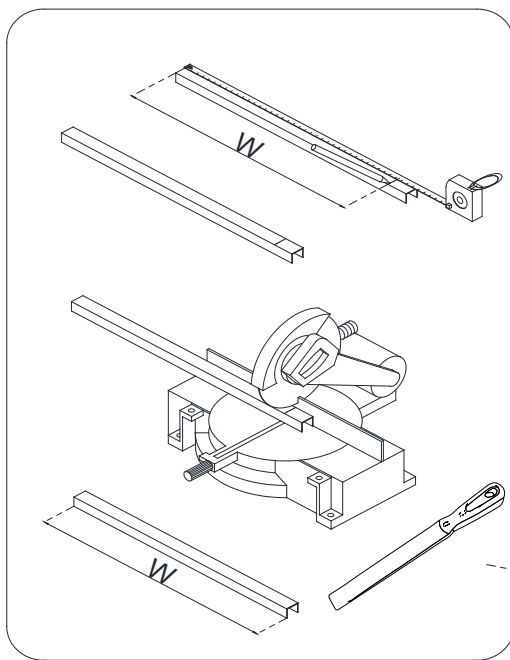


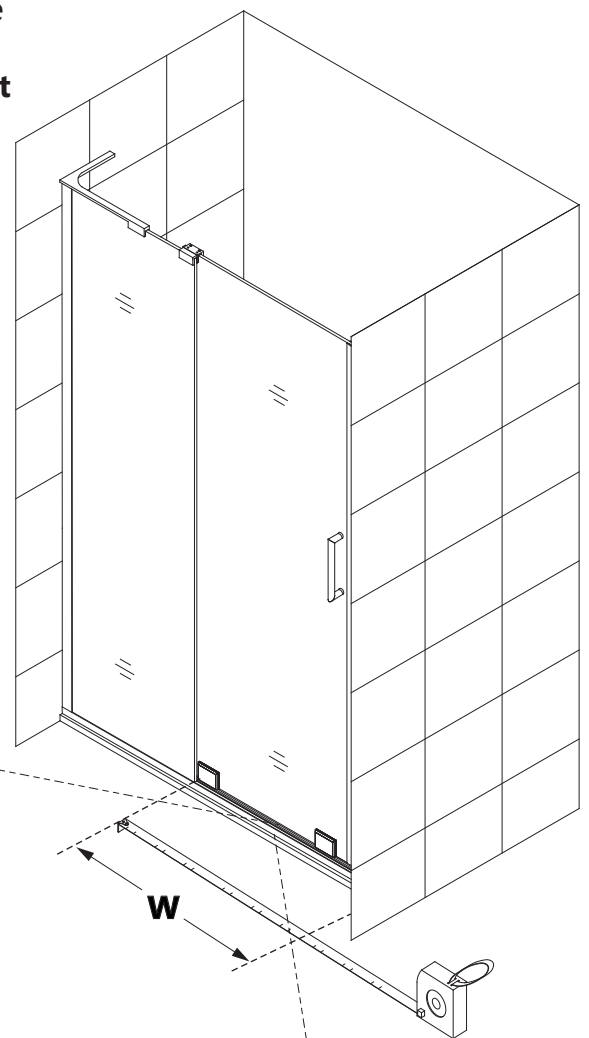
Fig 21

18. Measure from the edge of the installed **Stationary Panel Glass (#01)** to the wall and cut the **Bottom Rail Insert (#12)** to this dimension: **W (-) 1/16"**. Use a metal file to file off any burrs from the cut end. Apply silicone into the **Bottom Guide Rail (#03)** and install the **Bottom Rail Insert (#12)**. (Fig 22)

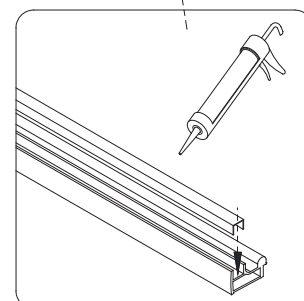
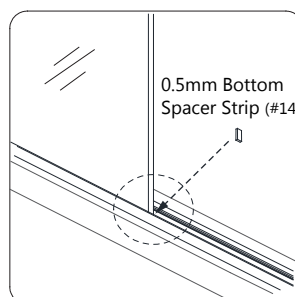


Trim the insert to: **W (-) 1/16"**

Fig 22



NOTE: Insert a small section (1/4" +/-) of the leftover **0.5mm Bottom Spacer Strip (#14)** between the end of the **Bottom Rail Insert (#12)** and the **Stationary Panel Glass (#01)** to prevent glass-to-metal contact.



19. The door should operate smoothly and create a good seal with the wall when in the closed position. If necessary, adjust the **Bottom Rollers (#10)** as shown to tilt the door slightly for a good seal with the wall.

Loosen the center **M5 x 14 Allen Bolts (#10.6)** and then rotate the **Adjustment Disk (#10.5)** using the **Roller Adjustment Tool (#20)** as shown.

Use shims or an assistant to hold the **Door Glass (#02)** in the desired position and re-tighten the allen bolt.

Only adjust one roller at a time. (Fig 23 and Fig 24)

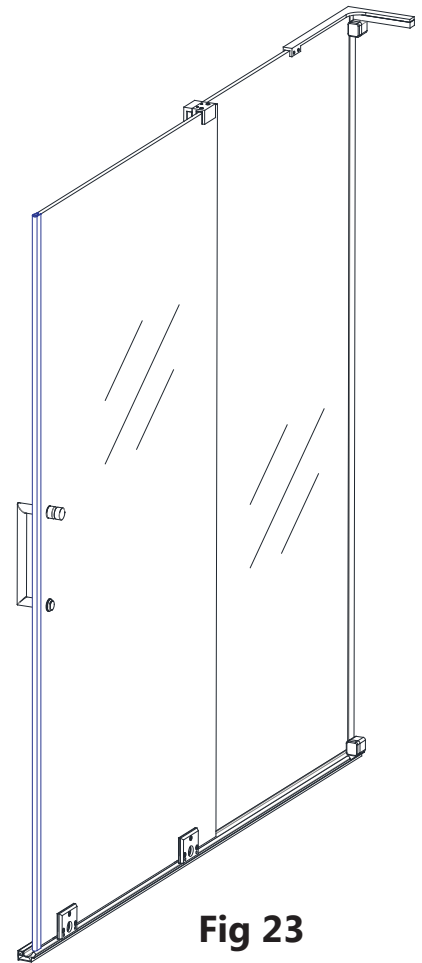
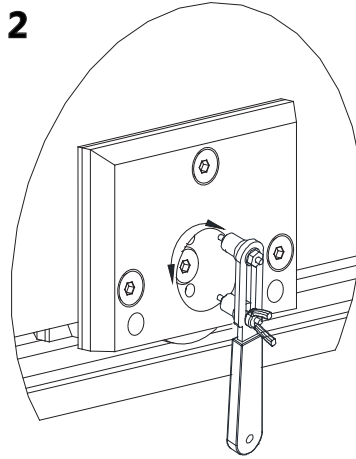
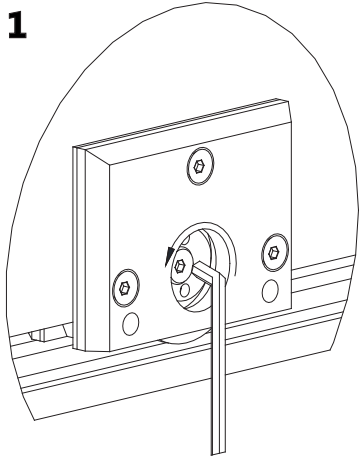
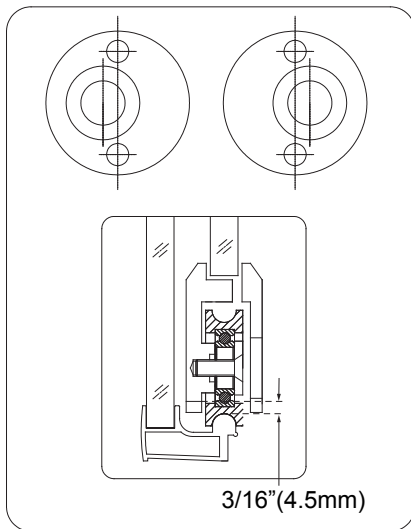


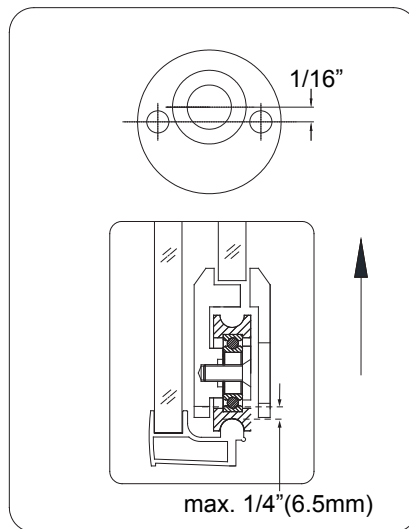
Fig 23



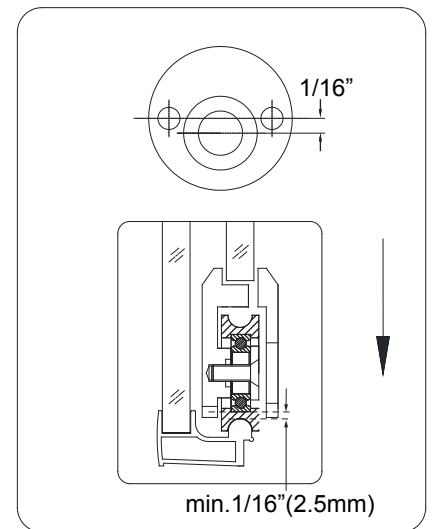
Use shims beneath the door glass during adjustment to prevent the door glass from making contact with the bottom rail.



3/16" (4.5mm)



max. 1/4" (6.5mm)



min. 1/16" (2.5mm)

Fig 24

20. Attach the roller **Cover Plate (#10.8)**, leaving approximately **1/16"** of **clearance** beneath the bottom rail. Re-adjust the plate if it makes contact with the bottom rail. **(Fig 25)**

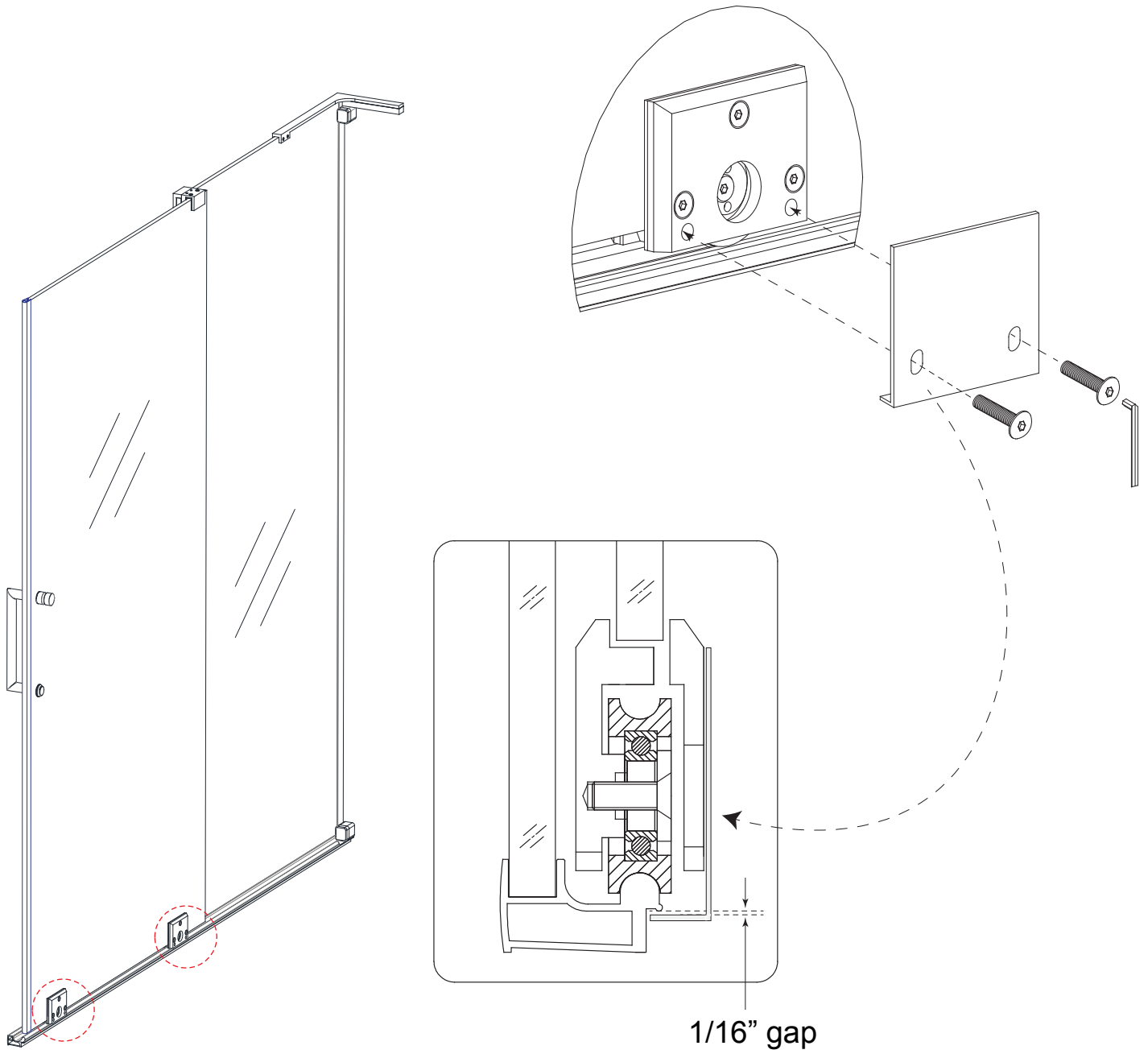


Fig 25

21. Remove the paper strip from the adhesive backing of the **Bottom Deflector (#18)** and attach all three strips to the bottom edge of the **Door Glass (#02)** as shown. Attach the **Anti-water side strip (#19)** to the edge of the **Door Glass (#02)**. Notch off the inside bottom to fit around the **Bottom Deflector (#18)**. Also, notch the bottom of the **Bumper Seal Strip (#13)** to fit around the **Bottom Deflector (#18)**. (**Fig 26**).

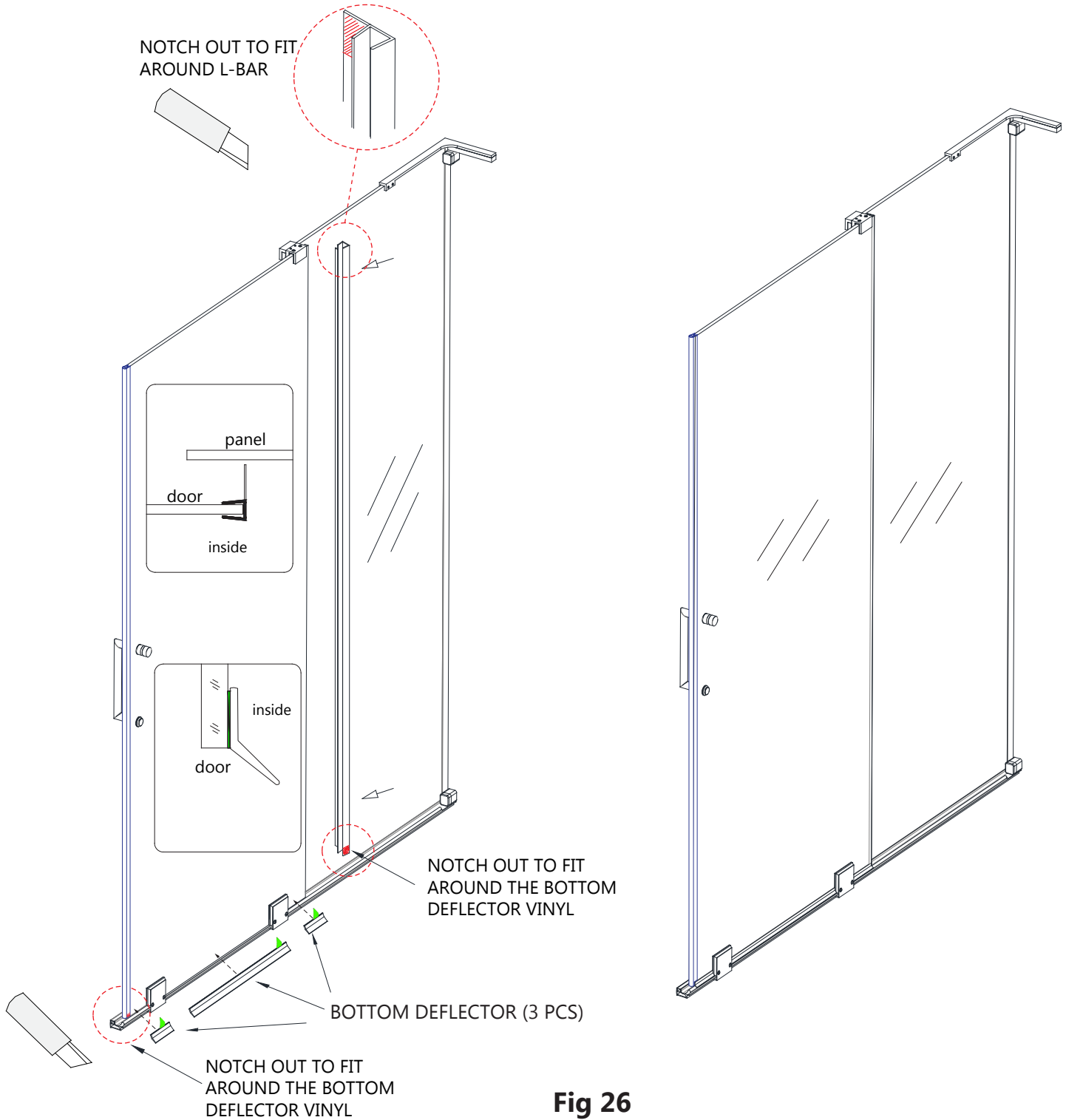


Fig 26

22. Apply a good quality, mildew-resistant silicone along the U-Channel and Bottom rail. **(Fig 27)**

! Allow 24 hours for the silicone to fully cure before first use.

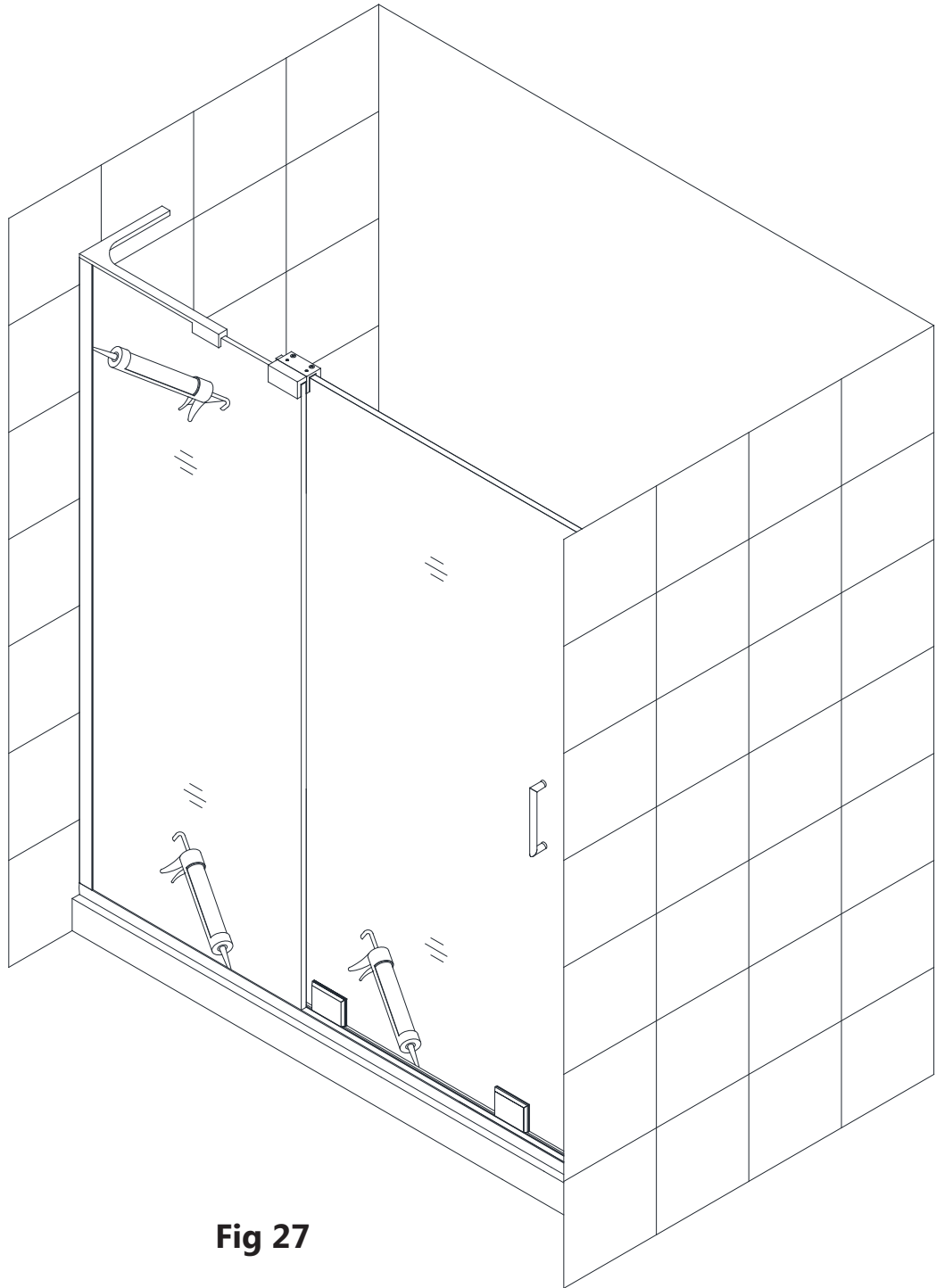


Fig 27

Product Maintenance

BASES and BACKWALLS: To ensure long-lasting life for your acrylic back walls, wipe them off after each use with a soft cloth. To clean the acrylic back walls use non-abrasive sprays or cream based cleaners. Avoid the use of aerosol spray cleaners. Never use abrasive cleansers, metal brushes or scrapers that could scratch or dull the surface.

GLASS: To ensure long-lasting life for your glass shower products, wipe them off after each use with a soft cloth. Rinse and wipe off the glass using either a soft cloth or a squeegee to prevent soap buildup and water spots (Hard water can etch the surface of the glass over time if left to dry). To prevent scratching the surface: never use abrasive cleaners or cleaning products that contain scouring agents. Never use bristle brushes or abrasive sponges that may scratch the surface.

HARDWARE: To ensure a long-lasting finish, wipe off the metal parts after each use with a soft cloth. Do not use abrasive cleaners or cleaning products containing ammonia, bleach or acid. If accidentally used, rinse the surface as soon as possible to prevent damage to the finish (peeling or corrosion). After cleaning the polished finishes, rinse thoroughly and wipe dry with a soft cloth. Clean stainless steel surfaces at least once a week. When applying stainless steel cleaner or polish to stainless steel hardware, work with (not across) the grain. Never use an abrasive sponge or cloth, steel wool or wired brush as these may permanently scratch the surfaces.

NOTE: To maximize the life of your door, it is important to regularly inspect the glass and all hardware for misalignment, proper attachment, and/or damage. Contact DreamLine® with any questions or concerns.

DreamLine® shower doors and enclosures are designed not to leak when installed properly and the flow of water is not pointed directly at the vinyl seals.



DREAMLINE[®]
THE ULTIMATE SHOWER DOOR

TEL: 866-731-2244
FAX: 866-857-3638
DREAMLINE.COM

For more information on DreamLine[®] Shower Doors and Enclosures please visit **DreamLine.com**