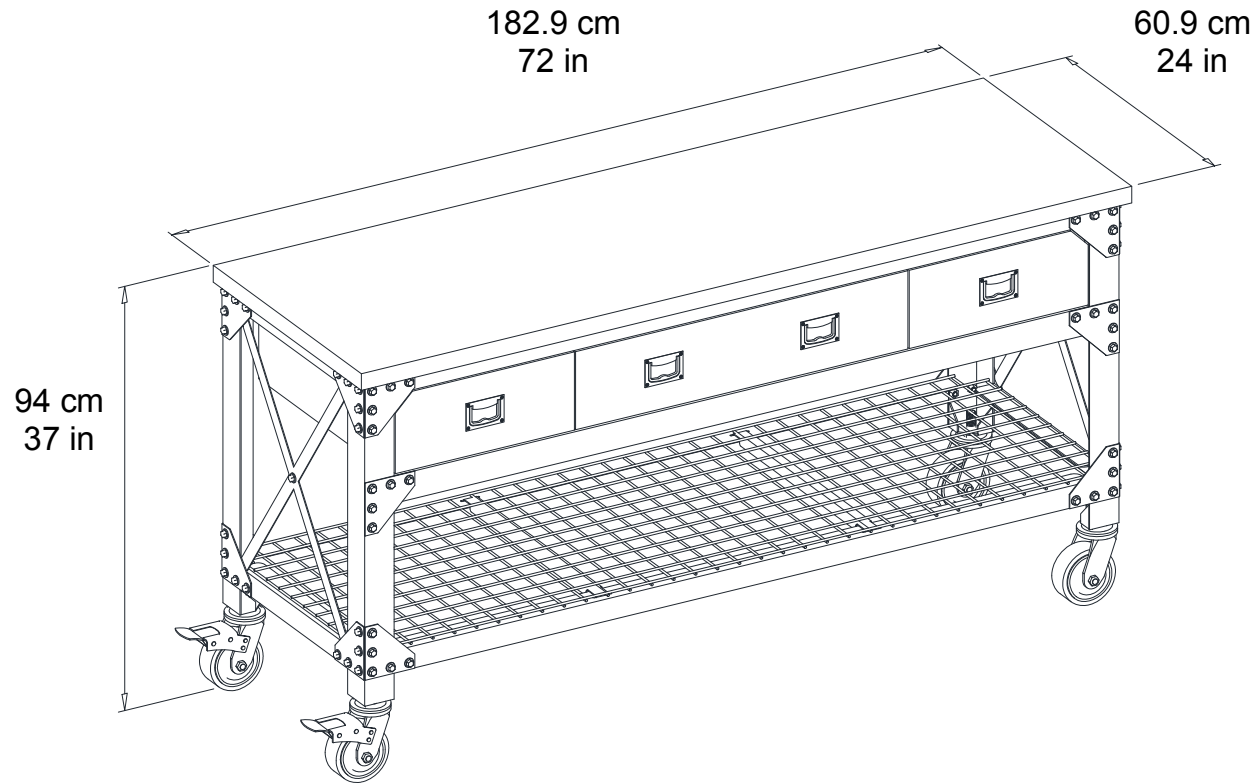


## Industrial Metal and Wood Workbench Établi industriel en métal et bois



Customer Service: 1-888-429-7503  
Monday - Friday: 8:00 a.m - 4:30 PST

Service a la clientele: 1-888-429-7503  
Lundi - Vendredi: 8:00 h - 16 h 30

**IMPORTANT, RETAIN FOR FUTURE REFERENCE: READ CAREFULLY**  
**IMPORTANT, CONSERVER POUR REFERENCE FUTURE: LIRE ATTENTIVEMENT**

[WWW.DURAMAXB.P.COM](http://WWW.DURAMAXB.P.COM)



WARNING/AVERTISSEMENT

Failure to follow these guidelines can result in property damage or personal injuries.  
Ne pas suivre ces instructions peut causer des dommages ou des blessures.

- The product is not recommended for outdoor use./Le produit n'est pas recommandé pour un usage extérieur.
- Strongly recommend at least two adult people to assemble this unit./Il est fortement recommandé qu'au moins deux personnes fassent le montage.
- Please wait until all steps are completed before fully tightening bolts./ Attendre que toutes les étapes sont terminées avant de serrer les boulons à fond.

Load Capacity/Capacité de charge :

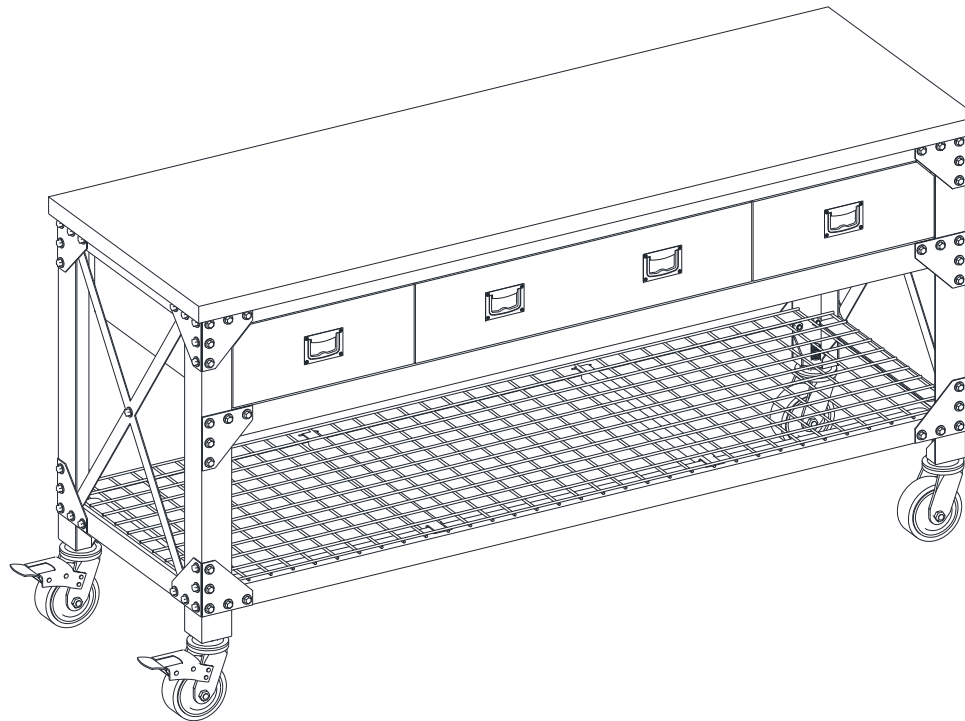
Top/Dessus : 136.1 kg/300 lb

Each Small Drawer/Chaque petit tiroir : 9.1 kg/20 lb

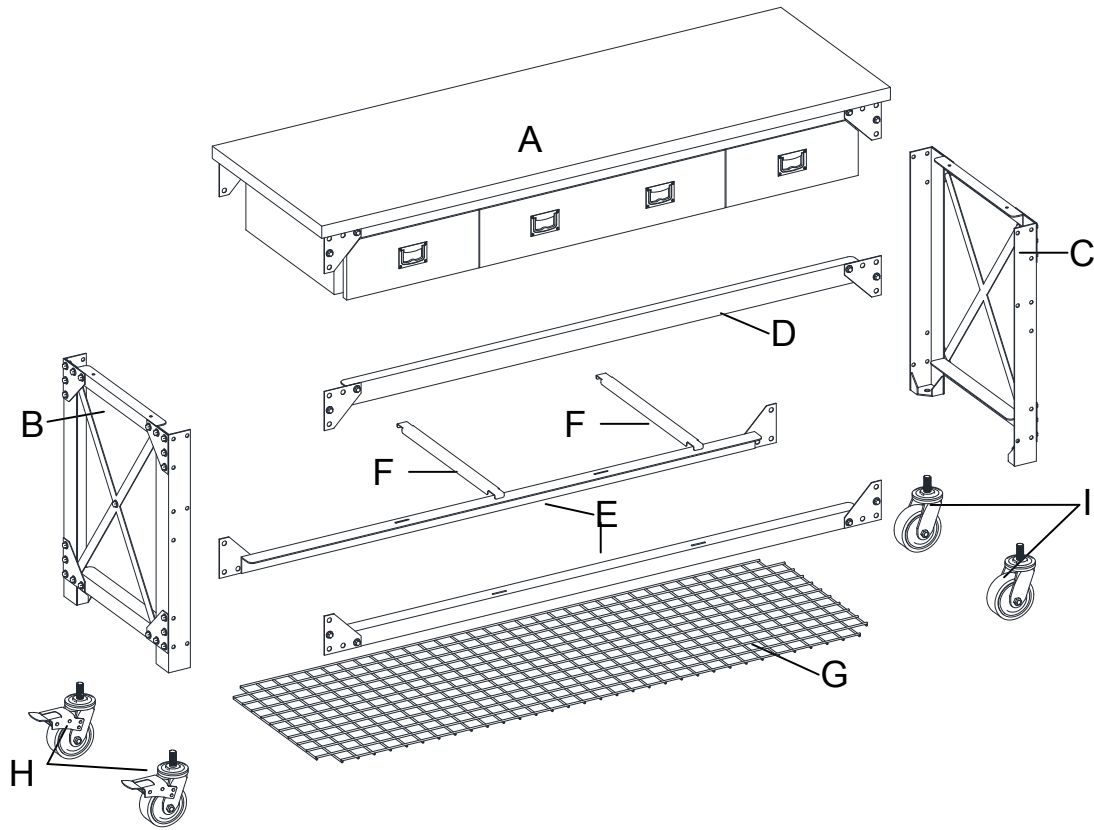
Each Large Drawer/Chaque grand tiroir : 11.3 kg/25 lb

Wire Deck/ Tablette en treillis : 100 kg/220 lb

Entire unit maximum capacity/Capacité maximale de l'unité : 265.9 kg/585 lb



# Parts List/Liste des pièces

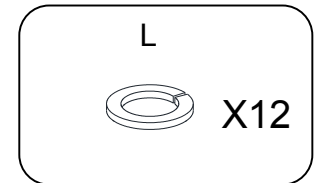
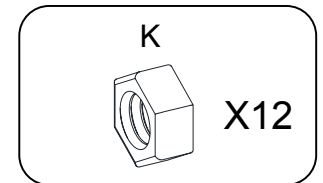
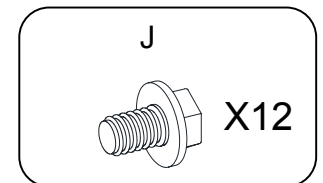
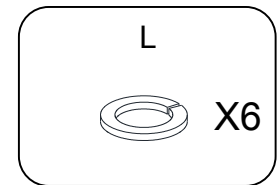
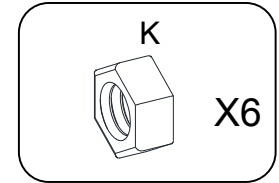
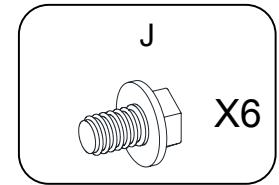
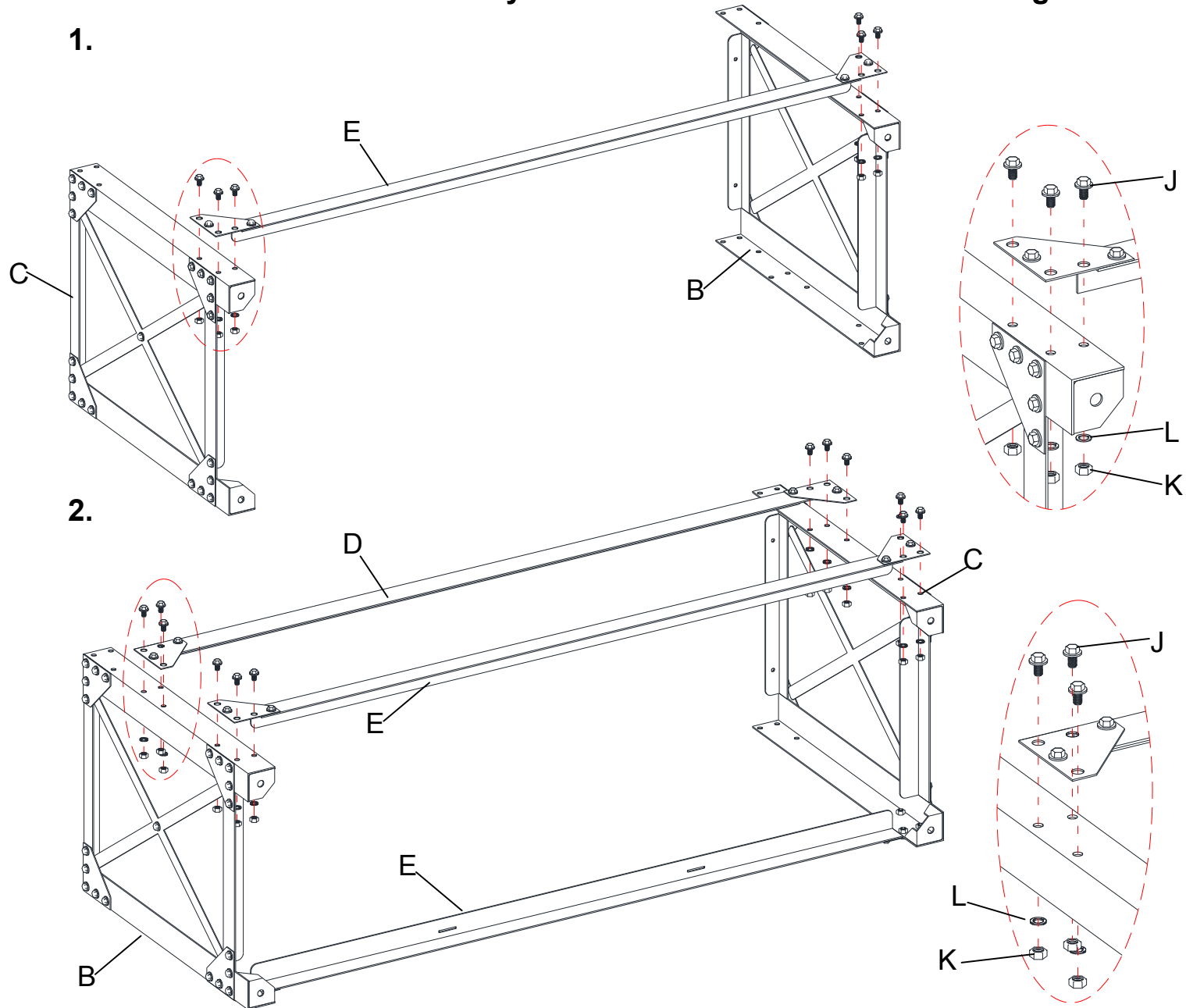


A X1	B X1	C X1	D X1
E X2	F X2	G X1	H X2
I X2	J X30 + 2 extra	K X30 + 2 extra	L (M10) X30 + 2 extra
M X4 + 1 extra	N (M20) X4 + 1 extra	O X2	P X1

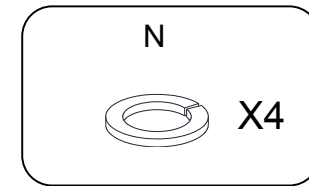
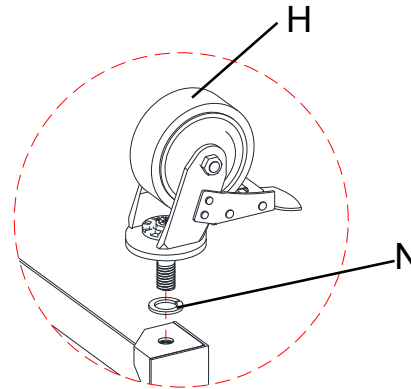
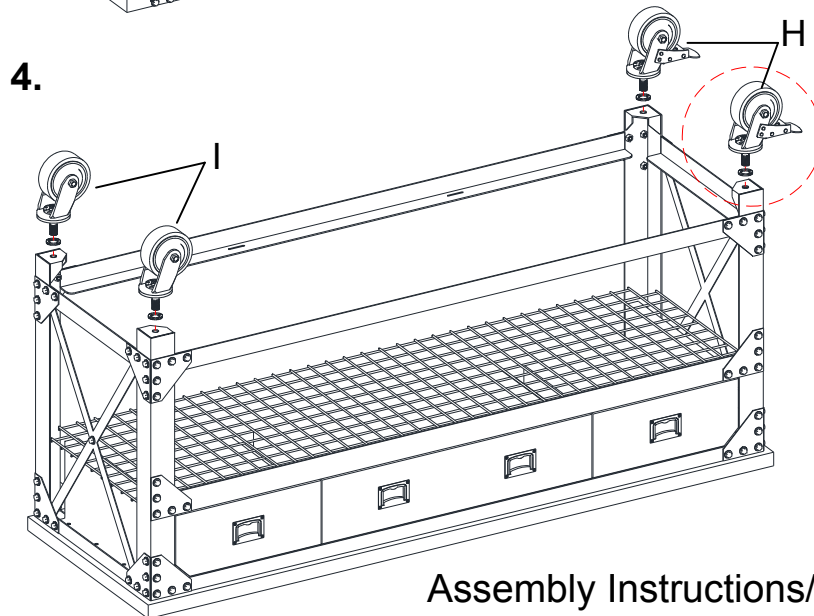
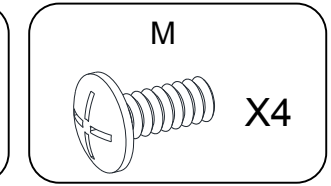
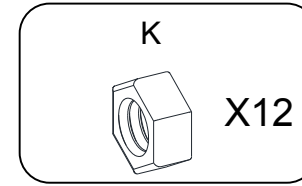
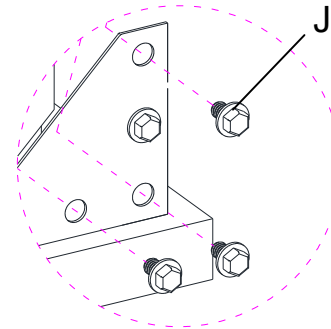
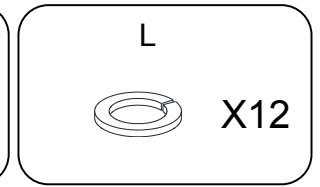
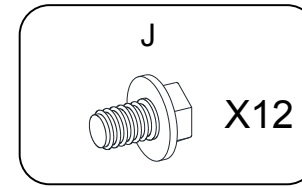
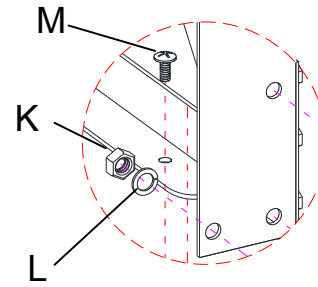
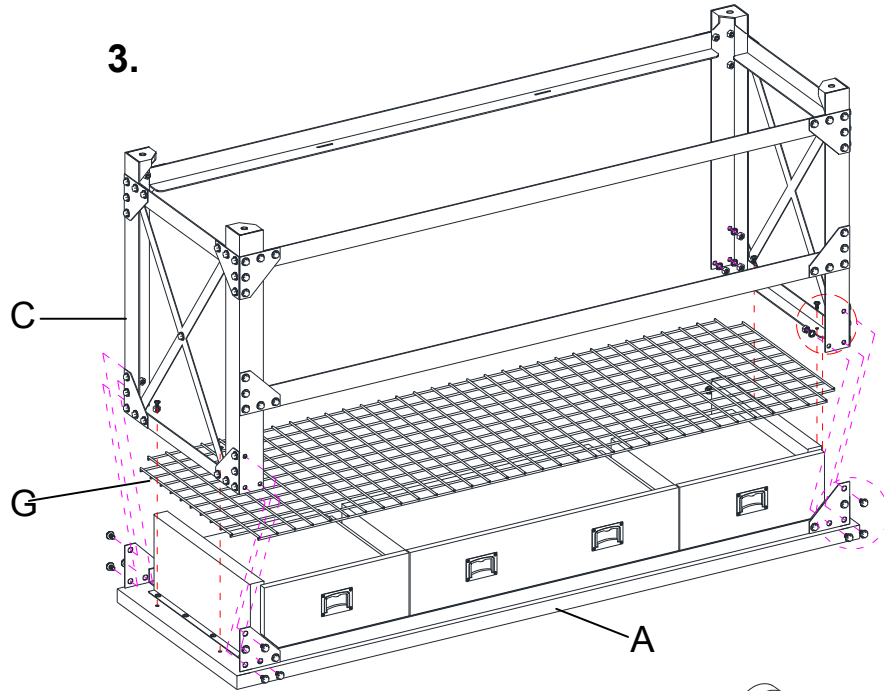
Tool Required (not included)/Outil requis (non inclus)



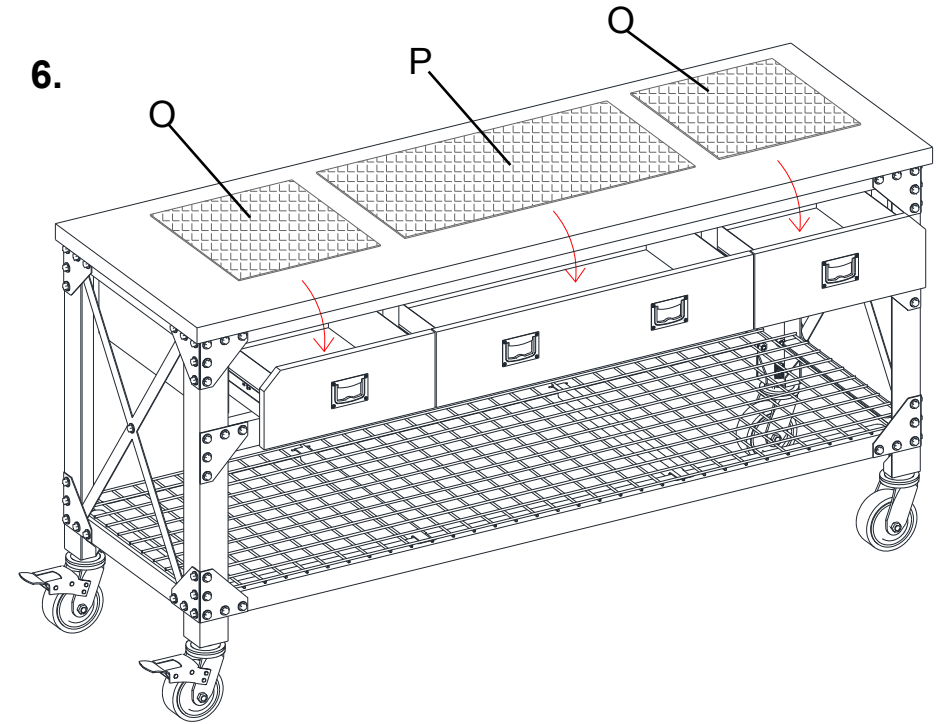
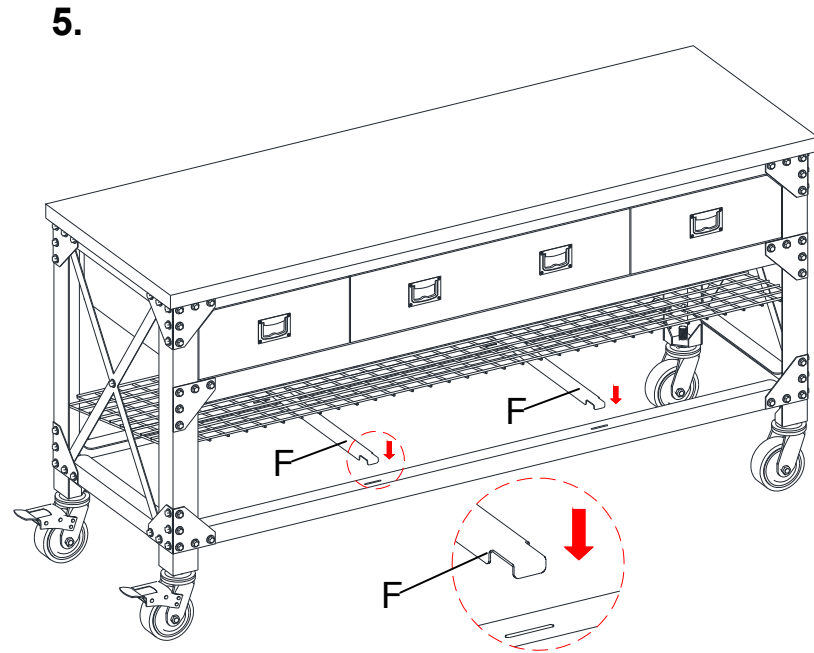
# Assembly Instructions/Instructions de montage



Assembly Instructions/Instructions de montage



Assembly Instructions/Instructions de montage



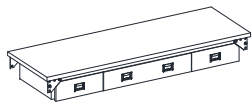
### Care and Maintenance/ Soins et entretien

1. Use a soft, clean cloth that will not scratch the surface when dusting.
  2. Using solvents of any kind on your product may damage the finish.
  3. Do not use any harsh abrasives or chemicals to clean any metal surfaces as it may damage the protective coating.
1. Utiliser un linge doux et propre qui ne rayera pas la surface lors de l'époussetage.
  2. L'utilisation de solvant de quelque nature que ce soit sur le meuble pourrait endommager le fini.
  3. Ne pas utiliser de produits abrasifs ni chimiques pour nettoyer les surfaces de métal car ils pourraient endommager le revêtement protecteur.

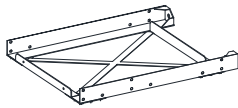
To order parts use below list

## Industrial Metal and Wood Workbench

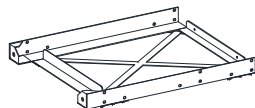
1	*IPWB68001-1-TOP	Top	Set	11	*IPWB68001-11-HN	Hex Nut	Pcs
2	*IPWB68001-2-LSF	Left Side Frame	Pcs	12	*IPWB68001-12-LW10	Lock Washer M10	Pcs
3	*IPWB68001-3-RSF	Right Side Frame	Pcs	13	*IPWB68001-13-M615	Phillips Head Bolt M6X15	Pcs
4	*IPWB68001-4-UB	Upper Beam	Pcs	14	*IPWB68001-14-DLS	Drawer Liner Small	Pcs
5	*IPWB68001-5-BB	Bottom Beam	Pcs	15	*IPWB68001-15-DLL	Drawer Liner Large	Pcs
6	*IPWB68001-6-TS	Tie Support	Pcs	16	*IPWB68001-16-LSD	Left Side Drawer	Set
7	*IPWB68001-7-WD	Wire Deck	Pcs	17	*IPWD68001-17-MD	Middle Drawer	Set
8	*IPWB68001-8-LC	Locking Caster	Pcs	18	*IPWD68001-18-RSD	Right Side Drawer	Set
9	*IPWB68001-9-SC	Swivel Caster	Pcs	19	*IPWD68001-19-LW20	Lock Washer M20	Pcs
10	*IPWB68001-10-HX	Hex Bolt M10X20	Pcs	20	*IPWD68001-20-LBI	White Label Insert	Pcs
				21	*IPWD68001-21-HDW	Hardware	Set



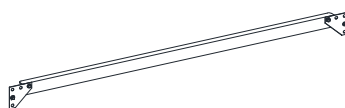
1



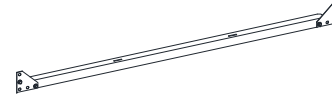
2



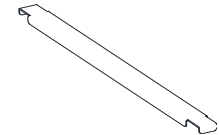
3



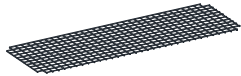
4



5



6



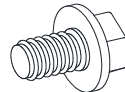
7



8



9



10



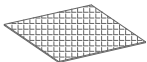
11



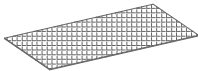
12



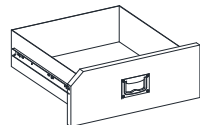
13



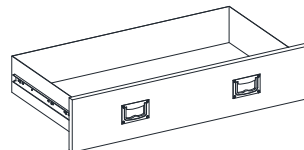
14



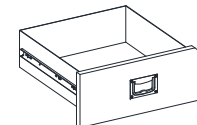
15



16



17



18



19



20

SI VOUS DEVEZ COMMANDER DES PIÈCES, UTILISEZ LA LISTE CI-DESSOUS

Établi industriel en métal et bois

1	*IPWB68001-1-TOP	Top	Set	11	*IPWB68001-11-HN	Hex Nut	Pcs
2	*IPWB68001-2-LSF	Left Side Frame	Pcs	12	*IPWB68001-12-LW10	Lock Washer M10	Pcs
3	*IPWB68001-3-RSF	Right Side Frame	Pcs	13	*IPWB68001-13-M615	Phillips Head Bolt M6X15	Pcs
4	*IPWB68001-4-UB	Upper Beam	Pcs	14	*IPWB68001-14-DLS	Drawer Liner Small	Pcs
5	*IPWB68001-5-BB	Bottom Beam	Pcs	15	*IPWB68001-15-DLL	Drawer Liner Large	Pcs
6	*IPWB68001-6-TS	Tie Support	Pcs	16	*IPWB68001-16-LSD	Left Side Drawer	Set
7	*IPWB68001-7-WD	Wire Deck	Pcs	17	*IPWD68001-17-MD	Middle Drawer	Set
8	*IPWB68001-8-LC	Locking Caster	Pcs	18	*IPWD68001-18-RSD	Right Side Drawer	Set
9	*IPWB68001-9-SC	Swivel Caster	Pcs	19	*IPWD68001-19-LW20	Lock Washer M20	Pcs
10	*IPWB68001-10-HX	Hex Bolt M10X20	Pcs	20	*IPWD68001-20-LBI	White Label Insert	Pcs
				21	*IPWD68001-21-HDW	Hardware	Set

