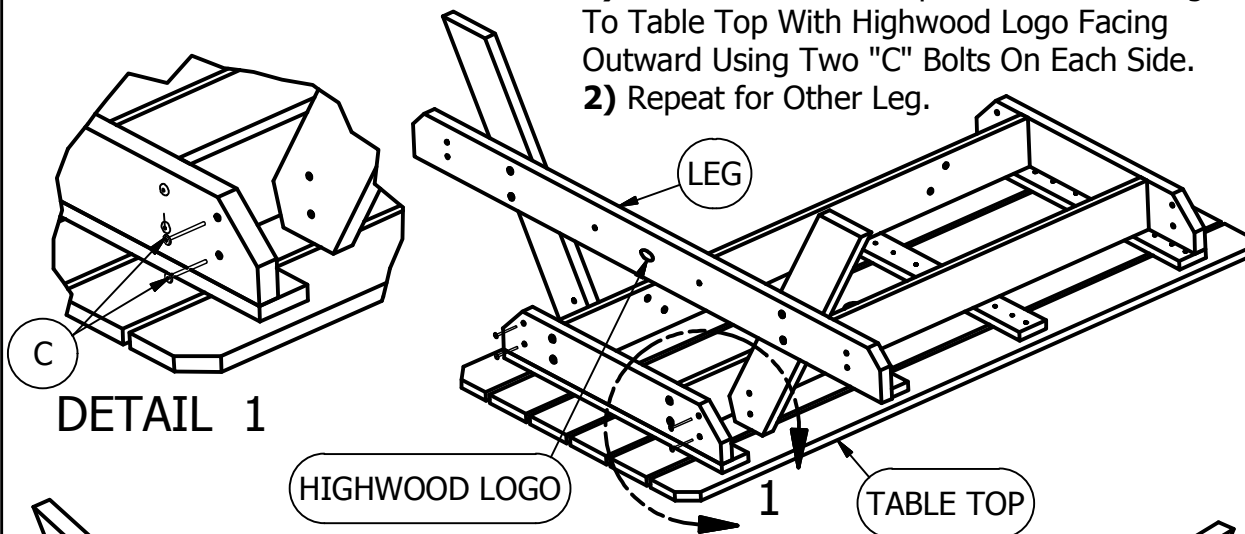


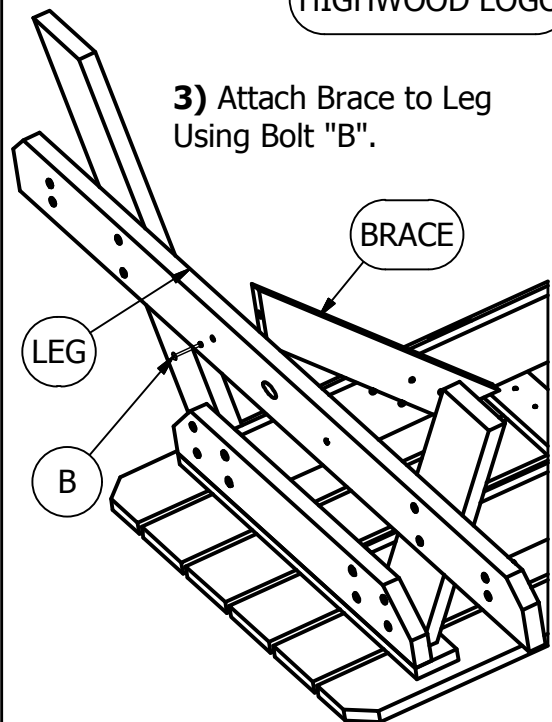
# Hometown Picnic Table

## Assembly Guide

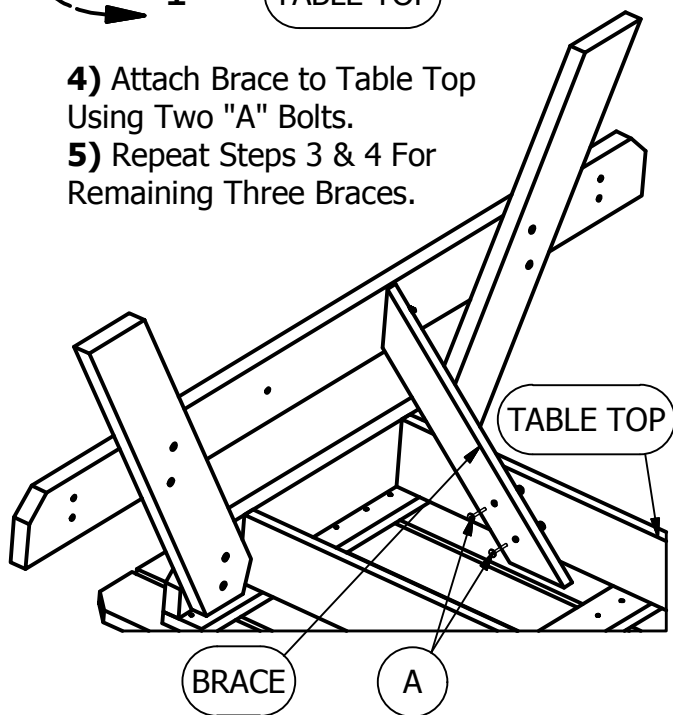
- 1) Orient Table With Top Down. Attach Leg To Table Top With Highwood Logo Facing Outward Using Two "C" Bolts On Each Side.
- 2) Repeat for Other Leg.



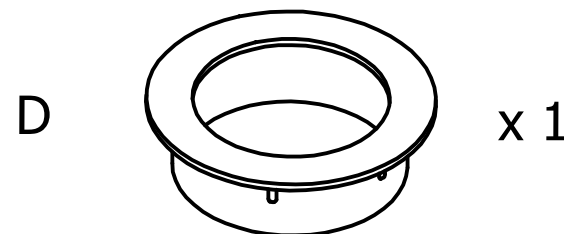
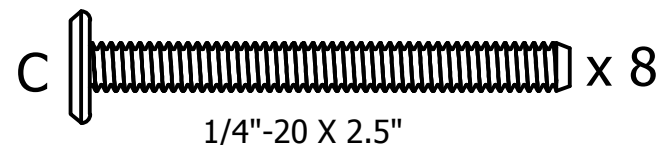
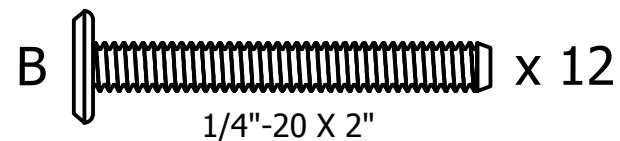
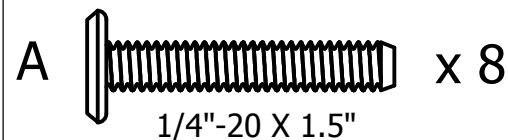
- 3) Attach Brace to Leg Using Bolt "B".



- 4) Attach Brace to Table Top Using Two "A" Bolts.
- 5) Repeat Steps 3 & 4 For Remaining Three Braces.



### HARDWARE



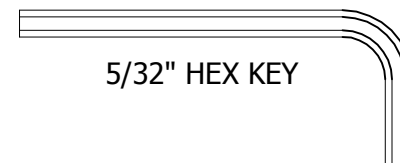
2" UMBRELLA GROMMET

### IMPORTANT!

DO NOT fully tighten the bolts until all bolts are started. Once all bolts are inserted, go back & tighten all the bolts.

Retain these instructions for future reference

### INCLUDED TOOLS

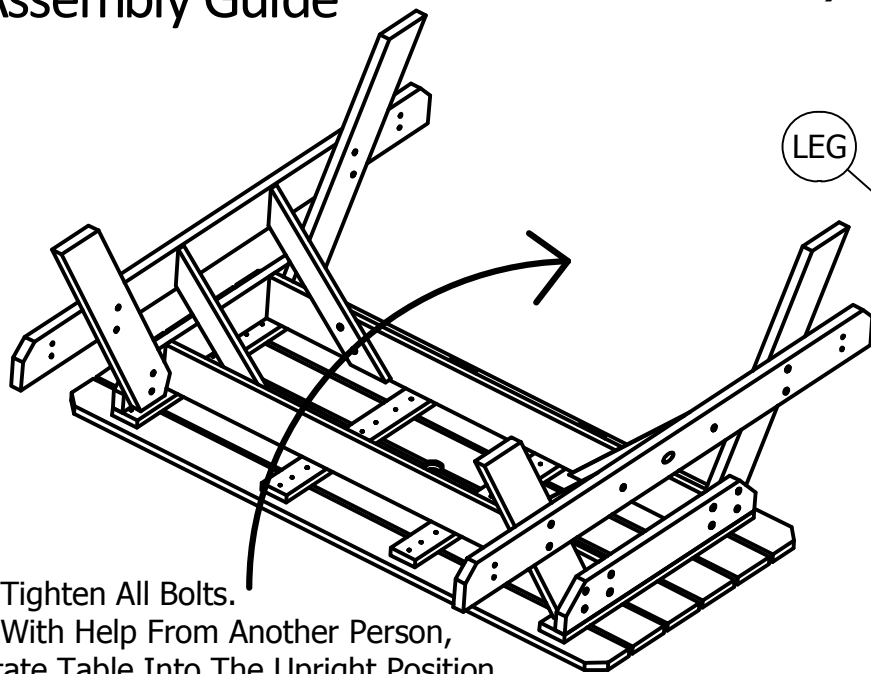


5/32" HEX KEY

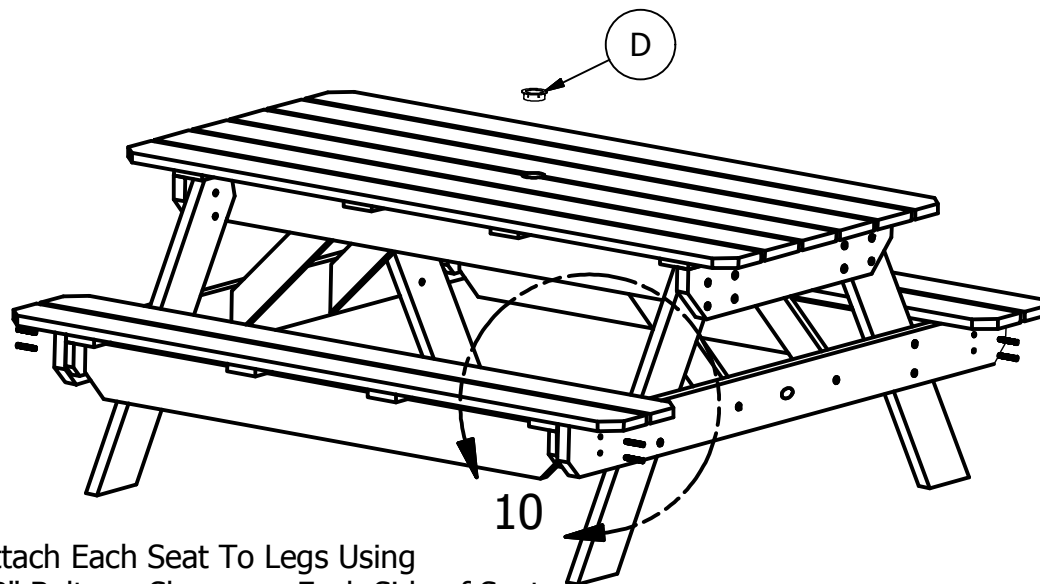
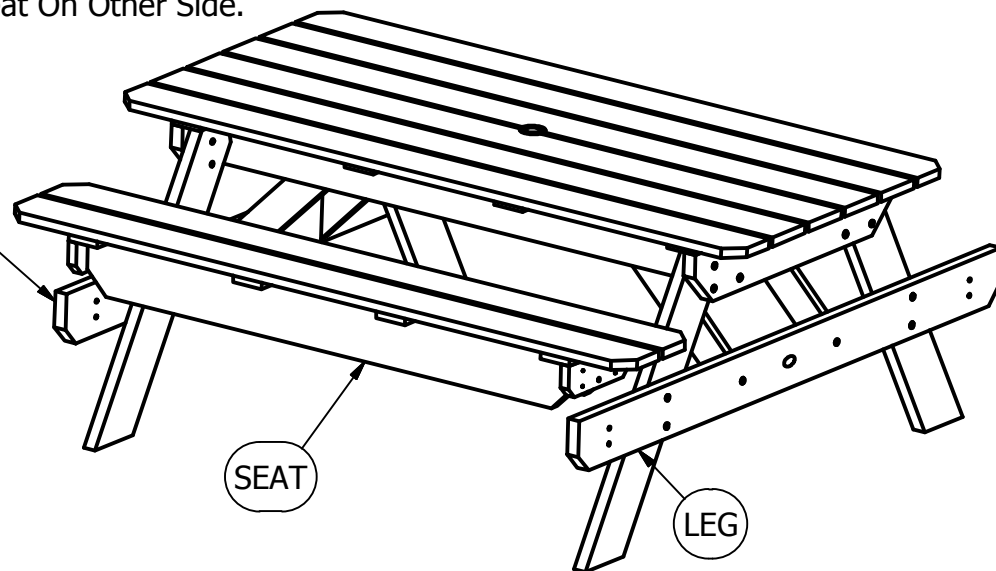
# Hometown Picnic Table

## Assembly Guide

- 8) With Table In Upright Position as Shown, Set Seat In Between Legs.
- 9) Repeat On Other Side.



- 6) Tighten All Bolts.
- 7) With Help From Another Person, Rotate Table Into The Upright Position.



- 10) Attach Each Seat To Legs Using Two "B" Bolts as Shown on Each Side of Seat.

- 11) Insert Umbrella Grommet "D" into Center Hole.

