



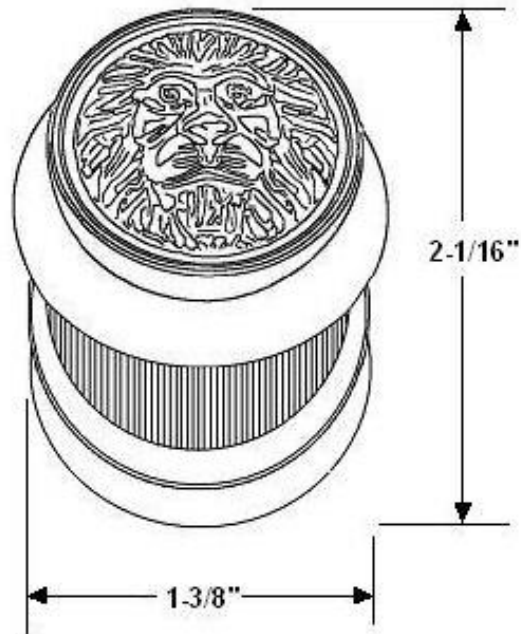
"The Special Finishes Specialist" ©

by St. Simons, Inc.

idhbrass.com

Quality Solid Brass Decorative Hardware & Bath Accessories

Installation Instructions
Premium Grade Solid Brass
Lion Head Bullet Door Stop
Item# 13090



Dimensions:

- Overall Height: 2-1/16"
- Diameter: 1-3/8"
- Maximum Clearance: 1-5/16"
- Weight: 8 oz.

*Dimensions are for reference use only.
For exact dimensions, please measure actual part.*

Installation Instructions:

1. Locate the stop in desired position on floor so door knob doesn't come in contact with wall.
2. Remove the top of the bumper by twisting
3. Mark and drill pilot hole
4. Reposition the stop to the desired location and screw stop securely to floor with screwdriver.
5. Place the rubber bumper ring onto the stop and place the top of the stop.



Catalog Section: D

Lion Head Bullet Door Stop

Item# 13090

Date: Rev 01/18