

OPERATOR'S MANUAL MANUEL D'UTILISATION MANUAL DEL OPERADOR

TRIM ROUTER DOUBLE INSULATION

TOUPIE
DOUBLE ISOLATION

FRESADORA
DOBLE AISLAMIENTO

R2401

To register your RIDGID product, please visit:
<http://register.RIDGID.com>

Pour enregistrer votre produit de RIDGID, s'il vous plaît la visite:
<http://register.RIDGID.com>

Para registrar su producto de RIDGID, por favor visita:
<http://register.RIDGID.com>

Your trim router has been engineered and manufactured to our high standard for dependability, ease of operation, and operator safety. When properly cared for, it will give you years of rugged, trouble-free performance.

WARNING:

To reduce the risk of injury, the user must read and understand the operator's manual before using this product.

Thank you for buying a RIDGID® product.

SAVE THIS MANUAL FOR FUTURE REFERENCE

Cette toupie a été conçue et fabriquée conformément à nos strictes normes de fiabilité, simplicité d'emploi et sécurité d'utilisation. Correctement entretenu, elle vous donnera des années de fonctionnement robuste et sans problème.

AVERTISSEMENT :

Pour réduire les risques de blessures, l'utilisateur doit lire et veiller à bien comprendre le manuel d'utilisation avant d'employer ce produit.

Merci d'avoir acheté un produit RIDGID®.

Su fresadora ha sido diseñada y fabricada de conformidad con nuestras estrictas normas para brindar fiabilidad, facilidad de uso y seguridad para el operador. Con el debido cuidado, le brindará muchos años de sólido y eficiente funcionamiento.

ADVERTENCIA:

Para reducir el riesgo de lesiones, el usuario debe leer y comprender el manual del operador antes de usar este producto.

Le agradecemos la compra de un producto RIDGID®.

**CONSERVER CE MANUEL POUR
FUTURE RÉFÉRENCE**

**GUARDE ESTE MANUAL PARA
FUTURAS CONSULTAS**

TABLE OF CONTENTS

TABLE DES MATIÈRES / ÍNDICE DE CONTENIDO

■ Introduction	2
Introduction / Introducción	
■ General Power Tool Safety Warnings	3-4
Règles de sécurité relatives aux outils électriques / Advertencias de seguridad para herramientas eléctricas	
■ Trim Router Saw Safety Rules	4
Avertissements de sécurité relatifs du toupie/ Advertencias de seguridad fresadora	
■ Symbols	5
Symboles / Símbolos	
■ Electrical	6
Caractéristiques électriques / Aspectos eléctricos	
■ Features	7
Caractéristiques / Características	
■ Assembly	7-8
Assemblage / Armado	
■ Operation	9-11
Utilisation / Funcionamiento	
■ Maintenance	12
Entretien / Mantenimiento	
■ Warranty	13
Garantie / Garantía	
■ Figure Numbers (Illustrations)	14-16
Figure numéros (illustrations) / Figura numeras (ilustraciones)	
■ Parts Ordering and Service	Back Page
Commande de pièces et réparation / Pedidos de piezas y servicio	Page arrière / Pág. posterior

INTRODUCTION

INTRODUCTION / INTRODUCCIÓN

This product has many features for making its use more pleasant and enjoyable. Safety, performance, and dependability have been given top priority in the design of this product making it easy to maintain and operate.

* * *

Ce produit offre de nombreuses fonctions destinées à rendre son utilisation plus plaisante et satisfaisante. Lors de la conception de ce produit, l'accent a été mis sur la sécurité, les performances et la fiabilité, afin d'en faire un outil facile à utiliser et à entretenir.

* * *

Este producto ofrece numerosas características para hacer más agradable y placentero su uso. En el diseño de este producto se ha conferido prioridad a la seguridad, el desempeño y la fiabilidad, por lo cual se facilita su manejo y mantenimiento.

GENERAL POWER TOOL SAFETY WARNINGS

WARNING

Read all safety warnings and all instructions. Failure to follow the warnings and instructions may result in electric shock, fire and/or serious injury.

Save all warnings and instructions for future reference. The term “power tool” in the warnings refers to your mains-operated (corded) power tool or battery-operated (cordless) power tool.

WORK AREA SAFETY

- **Keep work area clean and well lit.** Cluttered or dark areas invite accidents.
- **Do not operate power tools in explosive atmospheres, such as in the presence of flammable liquids, gases or dust.** Power tools create sparks which may ignite the dust or fumes.
- **Keep children and bystanders away while operating a power tool.** Distractions can cause you to lose control.

ELECTRICAL SAFETY

- **Power tool plugs must match the outlet. Never modify the plug in any way. Do not use any adapter plugs with earthed (grounded) power tools.** Unmodified plugs and matching outlets will reduce risk of electric shock.
- **Avoid body contact with earthed or grounded surfaces such as pipes, radiators, ranges and refrigerators.** There is an increased risk of electric shock if your body is earthed or grounded.
- **Do not expose power tools to rain or wet conditions.** Water entering a power tool will increase the risk of electric shock.
- **Do not abuse the cord. Never use the cord for carrying, pulling or unplugging the power tool. Keep cord away from heat, oil, sharp edges or moving parts.** Damaged or entangled cords increase the risk of electric shock.
- **When operating a power tool outdoors, use an extension cord suitable for outdoor use.** Use of a cord suitable for outdoor use reduces the risk of electric shock.
- **If operating a power tool in a damp location is unavoidable, use a ground fault circuit interrupter (GFCI) protected supply.** Use of a GFCI reduces the risk of electric shock.

PERSONAL SAFETY

- **Stay alert, watch what you are doing and use common sense when operating a power tool. Do not use a power tool while you are tired or under the influence of drugs, alcohol or medication.** A moment of inattention while operating power tools may result in serious personal injury.
- **Use personal protective equipment. Always wear eye protection.** Protective equipment such as dust mask, non-skid safety shoes, hard hat, or hearing protection

used for appropriate conditions will reduce personal injuries.

- **Prevent unintentional starting. Ensure the switch is in the off-position before connecting to power source and/or battery pack, picking up or carrying the tool.** Carrying power tools with your finger on the switch or energising power tools that have the switch on invites accidents.
- **Remove any adjusting key or wrench before turning the power tool on.** A wrench or a key left attached to a rotating part of the power tool may result in personal injury.
- **Do not overreach. Keep proper footing and balance at all times.** This enables better control of the power tool in unexpected situations.
- **Dress properly. Do not wear loose clothing or jewelry. Keep your hair, clothing and gloves away from moving parts.** Loose clothes, jewellery or long hair can be caught in moving parts.
- **If devices are provided for the connection of dust extraction and collection facilities, ensure these are connected and properly used.** Use of dust collection can reduce dust-related hazards.
- **Do not wear loose clothing or jewelry. Contain long hair.** Loose clothes, jewelry, or long hair can be drawn into air vents.
- **Do not use on a ladder or unstable support.** Stable footing on a solid surface enables better control of the power tool in unexpected situations.

POWER TOOL USE AND CARE

- **Do not force the power tool. Use the correct power tool for your application.** The correct power tool will do the job better and safer at the rate for which it was designed.
- **Do not use the power tool if the switch does not turn it on and off.** Any power tool that cannot be controlled with the switch is dangerous and must be repaired.
- **Disconnect the plug from the power source and/or the battery pack from the power tool before making any adjustments, changing accessories, or storing power tools.** Such preventive safety measures reduce the risk of starting the power tool accidentally.
- **Store idle power tools out of the reach of children and do not allow persons unfamiliar with the power tool or these instructions to operate the power tool.** Power tools are dangerous in the hands of untrained users.
- **Maintain power tools. Check for misalignment or binding of moving parts, breakage of parts and any other condition that may affect the power tool’s operation. If damaged, have the power tool repaired before use.** Many accidents are caused by poorly maintained power tools.
- **Keep cutting tools sharp and clean.** Properly maintained cutting tools with sharp cutting edges are less likely to bind and are easier to control.

GENERAL POWER TOOL SAFETY WARNINGS

- **Use the power tool, accessories and tool bits etc. in accordance with these instructions, taking into account the working conditions and the work to be performed.** Use of the power tool for operations different from those intended could result in a hazardous situation.

SERVICE

- **Have your power tool serviced by a qualified repair person using only identical replacement parts.** This will ensure that the safety of the power tool is maintained.
- **When servicing a power tool, use only identical replacement parts. Follow instructions in the Maintenance section of this manual.** Use of unauthorized parts or failure to follow Maintenance instructions may create a risk of shock or injury.

TRIM ROUTER SAFETY WARNINGS

- **Hold power tool by insulated gripping surfaces, because the cutter may contact hidden its own cord.** Cutting a “live” wire may make exposed metal parts of the power tool “live” and shock the operator.
- **Use clamps or another practical way to secure and support the workpiece to a stable platform.** Holding the work by your hand or against the body leaves it unstable and may lead to loss of control.
- **Know your power tool. Read operator’s manual carefully. Learn its applications and limitations, as well as the specific potential hazards related to this tool.** Following this rule will reduce the risk of electric shock, fire, or serious injury.
- **Always wear safety glasses. Everyday eyeglasses have only impact-resistant lenses; they are NOT safety glasses.** Following this rule will reduce the risk of serious personal injury.
- **Protect your lungs. Wear a face or dust mask if the operation is dusty.** Following this rule will reduce the risk of serious personal injury.
- **Protect your hearing. Wear hearing protection during extended periods of operation.** Following this rule will reduce the risk of serious personal injury.
- **Inspect tool cords periodically and, if damaged, have repaired at your nearest authorized service center. Constantly stay aware of cord location.** Following this rule will reduce the risk of electric shock or fire.
- **Check damaged parts. Before further use of the tool, a guard or other part that is damaged should be carefully checked to determine that it will operate properly and perform its intended function. Check for alignment of moving parts, binding of moving parts, breakage of parts, mounting, and any other conditions that may affect its operation. A guard or other part that is damaged should be properly repaired or replaced by an authorized service center.** Following this rule will reduce the risk of shock, fire, or serious injury.
- **Make sure your extension cord is in good condition. When using an extension cord, be sure to use one heavy enough to carry the current your product will draw. A wire gauge size (A.W.G.) of at least 14 is recommended for an extension cord 50 feet or less in length. A cord exceeding 100 feet is not recommended. If in doubt, use the next heavier gauge. The smaller the gauge number, the heavier the cord. An undersized cord will cause a drop in line voltage resulting in loss of power and overheating.**
- **Inspect for and remove all nails from lumber before using this tool.** Following this rule will reduce the risk of serious personal injury.
- **Save these instructions.** Refer to them frequently and use them to instruct others who may use this tool. If you loan someone this tool, loan them these instructions also.

CALIFORNIA PROPOSITION 65

WARNING:




This product and some dust created by power sanding, sawing, grinding, drilling, and other construction activities may contain chemicals, including lead, known to the State of California to cause cancer, birth defects, or other reproductive harm. **Wash hands after handling.** Some examples of these chemicals are:

- lead from lead-based paints,
- crystalline silica from bricks and cement and other masonry products and,
- arsenic and chromium from chemically treated lumber.






Your risk from exposure to these chemicals varies, depending on how often you do this type of work. To reduce your exposure, work in a well-ventilated area and with approved safety equipment, such as dust masks that are specially designed to filter out microscopic particles.

SYMBOLS

The following signal words and meanings are intended to explain the levels of risk associated with this product.

SYMBOL	SIGNAL	MEANING
	DANGER:	Indicates an imminently hazardous situation, which, if not avoided, will result in death or serious injury.
	WARNING:	Indicates a potentially hazardous situation, which, if not avoided, could result in death or serious injury.
	CAUTION:	Indicates a potentially hazardous situation, which, if not avoided, may result in minor or moderate injury.
	CAUTION:	(Without Safety Alert Symbol) Indicates a situation that may result in property damage.


Some of the following symbols may be used on this product. Please study them and learn their meaning. Proper interpretation of these symbols will allow you to operate the product better and safer.

SYMBOL	NAME	DESIGNATION/EXPLANATION
	Safety Alert	Indicates a potential personal injury hazard.
	Read Operator's Manual	To reduce the risk of injury, user must read and understand operator's manual before using this product.
	Eye Protection	Always wear eye protection with side shields marked to comply with ANSI Z87.1.
	Wet Conditions Alert	Do not expose to rain or use in damp locations.
V	Volts	Voltage
A	Amperes	Current
Hz	Hertz	Frequency (cycles per second)
W	Watt	Power
min	Minutes	Time
~	Alternating Current	Type of current
n_0	No Load Speed	Rotational speed, at no load
	Class II Tool	Double-insulated construction
.../min	Per Minute	Revolutions, strokes, surface speed, orbits etc., per minute

ELECTRICAL

DOUBLE INSULATION

Double insulation is a concept in safety in electric power tools, which eliminates the need for the usual three-wire grounded power cord. All exposed metal parts are isolated from the internal metal motor components with protecting insulation. Double insulated tools do not need to be grounded.

WARNING:
 The double insulated system is intended to protect the user from shock resulting from a break in the tool's internal wiring. Observe all normal safety precautions to avoid electrical shock.

NOTE: Servicing of a tool with double insulation requires extreme care and knowledge of the system and should be performed only by a qualified service technician. For service, we suggest you return the tool to your nearest authorized service center for repair. Always use original factory replacement parts when servicing.

ELECTRICAL CONNECTION

This tool has a precision-built electric motor. It should be connected to a **power supply that is 120 volts, 60 Hz, AC only (normal household current)**. Do not operate this tool on direct current (DC). A substantial voltage drop will cause a loss of power and the motor will overheat. If your tool does not operate when plugged into an outlet, double-check the power supply.

EXTENSION CORDS

When using a power tool at a considerable distance from a power source, be sure to use an extension cord that has the capacity to handle the current the tool will draw. An undersized cord will cause a drop in line voltage, resulting in overheating and loss of power. Use the chart to determine the minimum wire size required in an extension cord. Only round jacketed cords listed by Underwriter's Laboratories (UL) should be used.

When working outdoors with a tool, use an extension cord that is designed for outside use. This type of cord is designated with "WA" or "W" on the cord's jacket.


Before using any extension cord, inspect it for loose or exposed wires and cut or worn insulation.


**Ampere rating (on tool faceplate)

Cord Length	Wire Size (A.W.G.)					
	0-2.0	2.1-3.4	3.5-5.0	5.1-7.0	7.1-12.0	12.1-16.0
25'	16	16	16	16	14	14
50'	16	16	16	14	14	12
100'	16	16	14	12	10	—

**Used on 12 gauge - 20 amp circuit.

NOTE: AWG = American Wire Gauge

WARNING:
 Keep the extension cord clear of the working area. Position the cord so that it will not get caught on lumber, tools or other obstructions while you are working with a power tool. Failure to do so can result in serious personal injury.

WARNING:
 Check extension cords before each use. If damaged replace immediately. Never use tool with a damaged cord since touching the damaged area could cause electrical shock resulting in serious injury.

FEATURES

PRODUCT SPECIFICATIONS

Collet..... 1/4 in.
No Load Speed.....20,000-30,000 r/min.
Input..... 120 V, 5.5 Amps, 60 Hz

Switch..... Slide
Net Weight3.8 lbs.

KNOW YOUR TRIM ROUTER

See Figure 1, page 14.

The safe use of this product requires an understanding of the information on the product and in this operator's manual as well as a knowledge of the project you are attempting. Before use of this product, familiarize yourself with all operating features and safety rules.

DEPTH SCALE

The trim router has a convenient depth scale located on the side of the motor housing.

EDGE GUIDE

The edge guide will keep the bit a certain distance from the edge of a straight workpiece.

LED WORKLIGHT

The LED worklight helps provide additional light for a clearer view of the cutting area.

MICRO-DEPTH ADJUSTMENT WITH ZERO RESET

The micro-depth control adjustment with zero reset feature makes precise depth of cut changes possible.

MOTOR

The trim router has a powerful 5.5 amp permanent magnet motor with sufficient power to handle many trimming jobs.

MOTOR RELEASE LEVER

The trim router has a motor release lever that makes large depth of cut adjustments quick and easy.

OVERMOLDED GRIP AREA

The grip area is overmolded for improved grip and comfort.

REMOVABLE BASE

The removable base allows for greater access to the collet nut.

ROUND SUBBASE

The round subbase makes it easier to rotate the tool when trimming with a guide.

SLIDE SWITCH

The slide switch is located on top of the motor housing. The slide switch features a soft start to prolong motor life and gives the operator more control when starting the trim router.

SPINDLE LOCK

A spindle lock secures the spindle so that only one wrench is needed to loosen collet nut and change cutters.

SQUARE SUBBASE

The square subbase makes it easier to work with a straight edge.

VARIABLE SPEED DIAL

The variable speed dial, located on the front of the motor housing, enables you to adjust the speed of the bit from 20,000 r/min to 30,000 r/min.

ASSEMBLY

UNPACKING

This product requires assembly.

- Carefully remove the tool and any accessories from the box. Make sure that all items listed in the packing list are included.

WARNING:

Do not use this product if it is not completely assembled or if any parts appear to be missing or damaged. Use of a product that is not properly and completely assembled could result in serious personal injury.

- Inspect the tool carefully to make sure no breakage or damage occurred during shipping.

- Do not discard the packing material until you have carefully inspected and satisfactorily operated the tool.
- If any parts are damaged or missing, please call 1-866-539-1710 for assistance.

PACKING LIST

Trim router with round subbase
Wrench
Edge Guide
Guide Bars (2)
Bearing Flush Trim Bit
Tool Bag
Square Subbase
Operator's Manual

ASSEMBLY

WARNING:

If any parts are damaged or missing do not operate this product until the parts are replaced. Use of this product with damaged or missing parts could result in serious personal injury.

WARNING:

Do not attempt to modify this tool or create accessories not recommended for use with this tool. Any such alteration or modification is misuse and could result in a hazardous condition leading to possible serious personal injury.

WARNING:

Do not connect to power supply until assembly is complete. Failure to comply could result in accidental starting and possible serious personal injury.

REMOVING THE BASE

See Figure 2, page 14.

- Unplug the trim router.
- Pull the quick release lever to the open position.
- Get a firm grasp of the base with one hand. Hold the overmolded grip area with the other.
- Depress the motor release lever completely. Then pull the motor housing away from the base until they separate.

To connect the motor housing to the base:

- Depress the motor release lever completely.
- Align the motor housing with the base and push the motor housing onto the base.

NOTE: This may require some force to overcome the motor retention spring.

- Release the motor release lever and close the quick release lever.
-

WARNING:

If you are changing a cutter immediately after use, do not touch the collet nut, cutter, or collet with your hands or fingers as they may be hot. Always use the wrench provided to avoid getting burned.

INSTALLING AND REMOVING CUTTERS

See Figure 3, page 14.

- Unplug the trim router.
- Pull the quick release lever to the open position.
- Depress the motor release lever and move the base to provide clear access to the collet nut. It is not necessary to remove the base.
- Depress the spindle lock button and rotate spindle until the spindle locks.
- Rotate the wrench counterclockwise to loosen the collet nut. The collet is machined to precision tolerances to fit cutters with 1/4 in. diameter shanks.
- If installing the cutter for the first time, it can be installed once the collet nut is loose. If changing cutters, the cutter will easily slip from the collet after loosening the collet nut.
NOTE: The tip of the cutter has a protective wax coating that must be removed before first-time use. Simply peel off the wax coating and be sure that all traces of wax are removed before using the trim router.
- Insert the shank of the cutter into the collet until it touches the bottom, then pull it out approximately 1/16". This allows for expansion when the cutter gets hot.
- Tighten collet nut securely, by rotating it clockwise, using large end of wrench.
- Depress the motor release lever and return the base back to an operating position.
- Push the quick release lever to the closed position.

ATTACHING THE SQUARE SUBBASE

See Figure 4, page 14.

- Unplug the trim router.
 - Turn the trim router upside down to remove the four sub-base screws and the round subbase.
 - Attach the square subbase using the same screws.
 - Tighten the screws securely. Do not over tighten.
-

WARNING:

Always use the base for laminate trimming. Use of the trim router without a base or using the incorrect base can result in serious personal injury.

OPERATION

WARNING:

Do not allow familiarity with tools to make you careless. Remember that a careless fraction of a second is sufficient to inflict serious injury.

WARNING:

Always wear eye protection with side shields marked to comply with ANSI Z87.1. Failure to do so could result in objects being thrown into your eyes, resulting in possible serious injury.

WARNING:

Do not use any attachments or accessories not recommended by the manufacturer of this tool. The use of attachments or accessories not recommended can result in serious personal injury.

APPLICATIONS

You may use this tool for the purposes listed below:

- Smooth, professional trimming of laminates
- Trimming counter tops and finishing cabinet work
- Trimming wood and plastics

STARTING/STOPPING THE TRIM ROUTER

See Figure 5, page 14.

- To turn the trim router **ON**, slide the slide switch on top of the trim router up to the **(I) ON** position.

NOTE: The trim router has a soft start feature. The trim router will start at a slow speed and gradually get up to the speed set by the adjustable speed dial.

- Return the slide switch down to the **(O) OFF** position when finished.
-

WARNING:

The bit will continue to spin after the slide switch is set to the **(O) OFF** position. Wait for the bit to come to a complete stop to continue operation. Failure to do so could result in possible serious injury.

ADJUSTING THE SPEED

See Figure 6, page 14.

To adjust the speed of the trim router, rotate the variable speed dial located on the front of the motor housing. Rotate the dial to the left to increase speed. Higher numbers on the dial indicate higher speeds. Rotate the dial to the right to decrease speed. The speed is adjustable from 20,000 r/min to 30,000 r/min.

OPERATING THE TRIM ROUTER

See Figure 7, page 15.

Before starting the trim router, unplug it and make sure the cutter is securely tightened in the collet and that the depth of cut is properly set. Never start the trim router while the cutter is in contact with the workpiece.

After completing a cut, pull the cutter slightly away from the cut surface. Turn the trim router off and wait for the rotating cutter to completely stop before removing the base from the work surface.

When cutting, fit the base of the trim router over the work surface and firmly hold the body of the trim router with your hand. Make sure the trim router is running at full speed before contacting the workpiece.

WARNING:

Avoid hand positions that may expose fingers to cutter through open areas of trim router base. Fingers entering the opening in the trim router base can be seriously cut or burned.

WARNING:

Never install a trim cutter larger than 1-1/8 in. in this trim router. The use of larger bits can result in loss of control and possible serious personal injury.

WARNING:

Never use a trim cutter in this trim router which is rated at less than 30,000 r/min. Doing so could result in serious personal injury.

WARNING:

Always use the base for laminate trimming. Use of the trim router without a base or using the incorrect base can result in serious personal injury.

DIRECTION OF FEED AND THRUST

See Figures 8 - 9, page 15.

The trim router motor and cutter revolve in a clockwise direction. This gives the tool a slight tendency to twist in your hands in a counterclockwise direction, especially when the motor starts.

Feed the trim router into the workpiece from left to right. When fed from left to right, the rotation of the cutter pulls the trim router against the workpiece. If fed in the opposite direction, the rotation forces of the spinning cutter will tend to throw the trim router away from the workpiece, causing kickback. This could result in loss of control of the trim router.

OPERATION

Because of the extremely high speed of cutter rotation during a proper feeding operation, there is very little kickback to contend with under normal conditions. However, should the cutter strike a knot, hard grain, foreign object, etc., that would affect the normal progress of the cutting action, there could be a slight kickback. Kickback could be sufficient to spoil the trueness of your cut if you are not prepared. Such a kickback is always in the direction opposite the direction of cutter rotation.

To guard against kickback, plan your set-up and direction of feed so that you will always be thrusting the tool—to hold it against whatever you are using to guide the cut—in the same direction that the leading edge of the cutter is moving. The thrust should be in a direction that keeps the sharp edges of the cutter continuously biting straight into new (uncut) wood.

PROPER RATE OF FEED

Professional trimming and edge shaping depend upon careful set-up and selecting the proper rate of feed.

The proper rate of feed is dependent upon:

- the hardness and moisture content of the workpiece
- the depth of cut
- the cutting diameter of the cutter.

When cutting shallow grooves in soft woods such as pine, a faster rate of feed can be used. When making cuts in hardwoods such as oak, a slower rate of feed will be required.

Several factors will help you select the proper rate of feed.

- Choose a rate that does not slow down the trim router motor.
- Choose the rate at which the cutter advances firmly and surely to produce a continuous spiral of uniform chips or a smooth trim edge on laminate.
- Listen to the sound of the trim router motor. A high-pitched sound means you are feeding too slowly. A strained, lower-pitched sound signals force-feeding.
- Check the progress of each cut. Too-slow feeding can cause the trim router to take off in a wrong direction from the intended line of cut. Force-feeding increases the strain of holding the tool and results in loss of speed.
- Notice the chips being produced as you cut. If the trim router is fed too slowly, it will scorch or burn the wood. If the trim router is fed too fast, it will take large chips out of the wood and leave gouge marks.

Always test a cut on a scrap piece of the workpiece wood or laminate before you begin. Always grasp and hold the trim router firmly when trimming.

If you are making a small-diameter, shallow groove in soft, dry wood, the proper feed rate may be determined by the speed at which you can travel the trim router along the guide line. If the cutter is a large one, the cut is deep or the workpiece is hard to cut, the proper feed may be a very slow one. A cross-grain cut may require a slower pace than an identical with-grain cut in the same workpiece.

There is no fixed rule. Proper rate of feed is learned through practice and use.

FORCE FEEDING

See Figure 10, page 15.

The trim router is an extremely high-speed tool (20,000-30,000 r/min.), and will make clean, smooth cuts if allowed to run freely without the overload of a forced feed. Three things that cause force feeding are cutter size, depth of cut, and workpiece characteristics. The larger the cutter or the deeper the cut, the more slowly the trim router should be moved forward. If the wood is very hard, knotty, gummy or damp, the operation must be slowed still more.

Clean, smooth laminate trimming and edge shaping can be done only when the cutter is revolving at a relatively high speed and is taking very small bites to produce tiny, cleanly-severed chips. If the trim router is forced to move forward too fast, the speed of the cutter becomes slower than normal in relation to its forward movement. As a result, the cutter must take bigger bites as it revolves. Bigger bites mean bigger chips and a rougher finish. Bigger chips also require more power, which could result in overloading the motor.

Under extreme force-feeding conditions, the relative speed of the cutter can become so slow—and the bites it has to take so large—that chips will be partially knocked off rather than fully cut off. This will result in splintering and gouging of the workpiece.

TOO SLOW FEEDING

See Figure 10, page 15.

When the trim router is advanced into the work too slowly, the revolving cutter does not dig into new wood fast enough to take a bite; instead, it scrapes away sawdust-like particles. Scraping produces heat, which can glaze, burn, or mar the cut, and can overheat the cutter. Dull cutters can also contribute to scraping and burning.

It is more difficult to control a trim router when the cutter is scraping instead of cutting. With practically no load on the motor, the cutter will be revolving near top RPM, and will have a greater than normal tendency to bounce off the sides of the cut, especially if the wood has a pronounced grain with hard and soft areas. The cut that results may have rippled sides instead of straight.

DEPTH OF CUT

See Figure 11, page 15.

Depth of cut affects the rate of feed and the quality of a cut. Using the proper depth of cut can lessen the possibility of damage to the trim router motor and cutter.

A deeper cut requires a slower feed than a shallow one. Making a cut that is too deep will slow the feed so that the cutter is scraping, rather than cutting, and is not recommended.

A too-deep cut can cause smaller cutters to be broken off. Cutters that are 1/16 in. in diameter are easily broken off when subjected to too much side thrust. A larger cutter is not as likely to break, but attempting a cut that is too deep

OPERATION

may result in a rough cut, and may make it difficult to guide and control the cutter as desired.

It is recommended that you do not exceed 1/8 in. depth of cut in a single pass, regardless of the cutter size or the softness or condition of the workpiece. This will result in a higher quality cut.

To make deeper cuts, it is necessary to make as many successive passes as required, lowering the cutter 1/8 in. for each new pass. To save time, perform all the cutting necessary at one depth setting, then lower the cutter for the next pass. This will assure uniform depth when the final pass is completed.

WARNING:

If the desired depth of cut is greater than can be safely cut in one pass, make cuts in two or more passes. Do not remove more than 1/8 in. in a single pass. Excessive depth of cut can result in loss of control and the possibility of serious personal injury.

SETTING DEPTH OF CUT

See Figure 12, page 15.

- Unplug the trim router.
- Pull the quick release lever to the open position.
- Depress and hold the motor release lever.
- Slide the motor housing section of the trim router away from the base until the tip of the cutter reaches the work surface. The depth of cut is zero at this point. Release the motor release lever.

NOTE: Large depth of cut adjustments can be made using the motor release lever.

- Using the micro depth adjustment knob, adjust the position of the trim router to obtain the desired depth of cut. To move the motor housing down, turn the micro depth adjustment knob toward the “DOWN” arrow to the side of the knob.

NOTE: To set the cutting depth to zero, hold the trim router in place and turn the micro depth adjustment knob until it reads “0”.

- The cutter depth can be read on the depth scale on the motor housing. Each mark on the scale indicates a 1/16 in. change in depth setting. Use the top edge of the removable base as reference when setting depth of cut.
- When the desired depth of cut is reached. Push the quick release lever to the closed position to lock the cutter in place.

WARNING:

Avoid open area of trim router base. Serious personal injury will result from contact with a rotating cutter.

USING EDGE GUIDE

See Figures 13 - 14, page 16.

Use the edge guide to trim or cut a straight or curved edge.

- Unplug the trim router.
- Thread guide bars into the base and tighten with a flat head screwdriver.
- Slide the edge guide onto the guide bars.
- Install thumb screws provided into the edge guide.
- Measure the proper distance to offset the cutter, or if trimming, position the cutter at the edge of the workpiece.
- Tighten the two thumb screws to secure the edge guide.
- Move the trim router along the workpiece keeping the edge guide in constant contact with edge of the workpiece.

MAINTENANCE

WARNING:

When servicing use only identical replacement parts. Use of any other parts may create a hazard or cause product damage.

WARNING:

Always wear eye protection with side shields marked to comply with ANSI Z87.1. Failure to do so could result in objects being thrown into your eyes, resulting in possible serious injury.

GENERAL MAINTENANCE

Avoid using solvents when cleaning plastic parts. Most plastics are susceptible to damage from various types of commercial solvents and may be damaged by their use. Use clean cloths to remove dirt, dust, oil, grease, etc.

WARNING:

Do not at any time let brake fluids, gasoline, petroleum-based products, penetrating oils, etc., come in contact with plastic parts. Chemicals can damage, weaken or destroy plastic which may result in serious personal injury.

Electric tools used on fiberglass material, wallboard, spackling compounds, or plaster are subject to accelerated wear and possible premature failure because the fiberglass chips and grindings are highly abrasive to bearings, brushes, commutators, etc. Consequently, we do not recommend using this tool for extended work on these types of materials. However, if you do work with any of these materials, it is extremely important to clean the tool using compressed air.

LUBRICATION

All of the bearings in this tool are lubricated with a sufficient amount of high grade lubricant for the life of the unit under normal operating conditions. Therefore, no further lubrication is required.

BRUSH REPLACEMENT

See Figure 15, page 16.

- Unplug the trim router.
- Remove cutter bit if there is one installed.
- With a flat head screwdriver, remove the brush cap and washer.
- Remove the brush assembly.
- Check for wear. If worn, always replace in pairs. Do not replace one side without replacing the other.
- Replace the brush assembly.
- Make sure the notches in the washer on the spring line up so that the washer on the spring lies flat.
- Replace the washer and brush cap and tighten with a screwdriver. Do not overtighten.
- Repeat for other side.
- The trim router is now ready for use.

NOTE: FIGURES (ILLUSTRATIONS) START ON PAGE 14 AFTER FRENCH AND SPANISH LANGUAGE SECTIONS.

WARRANTY

RIDGID® HAND HELD AND STATIONARY POWER TOOL

3 YEAR LIMITED SERVICE WARRANTY

Proof of purchase must be presented when requesting warranty service.

Limited to RIDGID® hand held and stationary power tools purchased 2/1/04 and after. This product is manufactured by One World Technologies, Inc. The trademark is licensed from RIDGID, Inc. All warranty communications should be directed to One World Technologies, Inc., attn: RIDGID Hand Held and Stationary Power Tool Technical Service at (toll free) 1-866-539-1710.

90-DAY SATISFACTION GUARANTEE POLICY

During the first 90 days after the date of purchase, if you are dissatisfied with the performance of this RIDGID® Hand Held and Stationary Power Tool for any reason you may return the tool to the dealer from which it was purchased for a full refund or exchange. To receive a replacement tool you must present proof of purchase and return all original equipment packaged with the original product. The replacement tool will be covered by the limited warranty for the balance of the 3 YEAR service warranty period.

WHAT IS COVERED UNDER THE 3 YEAR

LIMITED SERVICE WARRANTY

This warranty on RIDGID® Hand Held and Stationary Power Tools covers all defects in workmanship or materials and normal wear items such as brushes, chucks, motors, switches, cords, gears and even cordless batteries in this RIDGID® tool for three years following the purchase date of the tool. Warranties for other RIDGID® products may vary.

HOW TO OBTAIN SERVICE

To obtain service for this RIDGID® tool you must return it; freight prepaid, or take it in to an authorized service center for RIDGID® branded hand held and stationary power tools. You may obtain the location of the authorized service center nearest you by calling (toll free) 1-866-539-1710 or by logging on to the RIDGID® website at www.ridgid.com. When requesting warranty service, you must present the original dated sales receipt. The authorized service center will repair any faulty workmanship, and either repair or replace any part covered under the warranty, at our option, at no charge to you.

WHAT IS NOT COVERED

This warranty applies only to the original purchaser at retail and may not be transferred. This warranty only covers defects arising under normal usage and does not cover any malfunction, failure or defect resulting from misuse, abuse, neglect, alteration, modification or repair by other than an authorized service center for RIDGID® branded hand held and stationary power tools. Consumable accessories provided with the tool such as, but not limited to, blades, bits and sand paper are not covered.

RIDGID, INC. AND ONE WORLD TECHNOLOGIES, INC. MAKE NO WARRANTIES, REPRESENTATIONS OR PROMISES AS TO THE QUALITY OR PERFORMANCE OF ITS POWER TOOLS OTHER THAN THOSE SPECIFICALLY STATED IN THIS WARRANTY.

ADDITIONAL LIMITATIONS

To the extent permitted by applicable law, all implied warranties, including warranties of MERCHANTABILITY or FITNESS FOR A PARTICULAR PURPOSE, are disclaimed. Any implied warranties, including warranties of merchantability or fitness for a particular purpose, that cannot be disclaimed under state law are limited to three years from the date of purchase. One World Technologies, Inc. and RIDGID, Inc. are not responsible for direct, indirect, incidental or consequential damages. Some states do not allow limitations on how long an implied warranty lasts and/or do not allow the exclusion or limitation of incidental or consequential damages, so the above limitations may not apply to you. This warranty gives you specific legal rights, and you may also have other rights which vary from state to state.

One World Technologies, Inc.

P.O. Box 35, Hwy. 8
Pickens, SC 29671

RÈGLES DE SÉCURITÉ RELATIVES AUX OUTILS ÉLECTRIQUES

AVERTISSEMENT

Lire tous les avertissements et toutes les instructions. Ne pas suivre l'ensemble des avertissements et des instructions peut entraîner une électrocution, un incendie ou des blessures graves.

Conservier les avertissements et les instructions à des fins de référence ultérieure. Le terme « outil motorisé », utilisé dans tous les avertissements ci-dessous désigne tout outil fonctionnant sur secteur (câblé) ou sur piles (sans fil).

SÉCURITÉ DU LIEU DE TRAVAIL

- **Garder le lieu de travail propre et bien éclairé.** Les endroits encombrés ou sombres sont propices aux accidents.
- **Ne pas utiliser d'outils électriques dans des atmosphères explosives, par exemple en présence de liquides, gaz ou poussières inflammables.** Les outils électriques produisent des étincelles risquant d'enflammer les poussières ou vapeurs.
- **Garder les enfants et badauds à l'écart pendant l'utilisation d'un outil électrique.** Les distractions peuvent causer une perte de contrôle.

SÉCURITÉ ÉLECTRIQUE

- **Les fiches des outils électriques doivent correspondre à la prise secteur utilisée. Ne jamais modifier la fiche, de quelque façon que ce soit. Ne jamais utiliser d'adaptateurs de fiche avec des outils mis à la terre.** Les fiches et prises non modifiées réduisent le risque de choc électrique.
- **Éviter tout contact du corps avec des surfaces mises à la terre, telles que tuyaux, radiateurs, cuisinières et réfrigérateurs.** Le risque de choc électrique est accru lorsque le corps est mis à la terre.
- **Ne pas exposer les outils électriques à l'eau ou l'humidité.** La pénétration d'eau dans ces outils accroît le risque de choc électrique.
- **Ne pas maltraiter le cordon d'alimentation. Ne jamais utiliser le cordon d'alimentation pour transporter l'outil et ne jamais débrancher ce dernier en tirant sur le cordon. Garder le cordon à l'écart de la chaleur, de l'huile, des objets tranchants et des pièces en mouvement.** Un cordon endommagé ou emmêlé accroît le risque de choc électrique.
- **Pour les travaux à l'extérieur, utiliser un cordon spécialement conçu à cet effet.** Utiliser un cordon conçu pour l'usage extérieur pour réduire les risques de choc électrique.
- **S'il est nécessaire d'utiliser l'outil électrique dans un endroit humide, employer un dispositif interrupteur de défaut à la terre (GFCI).** L'utilisation d'un GFCI réduit le risque de décharge électrique.

SÉCURITÉ PERSONNELLE

- **Rester attentif, prêter attention au travail et faire preuve de bon sens lors de l'utilisation de tout outil électrique. Ne pas utiliser cet outil en état de fatigue ou sous l'influence de l'alcool, de drogues ou de médicaments.** Un moment d'inattention pendant l'utilisation d'un outil électrique peut entraîner des blessures graves.

- **Utiliser l'équipement de sécurité. Toujours porter une protection oculaire.** L'équipement de sécurité, tel qu'un masque filtrant, de chaussures de sécurité, d'un casque ou d'une protection auditive, utilisé dans des conditions appropriées réduira le risque de blessures.
- **Éviter les démarrages accidentels. S'assurer que le commutateur est en position d'arrêt avant de brancher l'outil.** Porter un outil avec le doigt sur son commutateur ou brancher un outil dont le commutateur est en position de marche peut causer un accident.
- **Retirer les clés de réglage avant de mettre l'outil en marche.** Une clé laissée sur une pièce rotative de l'outil peut causer des blessures.
- **Ne pas travailler hors de portée. Toujours se tenir bien campé et en équilibre.** Ceci permettra de mieux contrôler l'outil en cas de situation imprévue.
- **Porter une tenue appropriée. Ne porter ni vêtements amples, ni bijoux. Garder les cheveux, les vêtements et les gants à l'écart des pièces en mouvement.** Les vêtements amples, bijoux et cheveux longs peuvent se prendre dans les pièces en mouvement.
- **Si les outils sont équipés de dispositifs de dépoussiérage, s'assurer qu'ils sont connectés et correctement utilisés.** L'usage de ces dispositifs de dépoussiérage peut réduire les dangers présentés par la poussière.
- **Ne porter ni vêtements amples, ni bijoux. Attacher ou couvrir les cheveux longs.** Les vêtements amples, bijoux et cheveux longs peuvent se prendre dans les ouïes d'aération.
- **Ne pas utiliser l'outil sur une échelle ou un support instable.** Une bonne tenue et un bon équilibre permettent de mieux contrôler l'outil en cas de situation imprévue.

UTILISATION ET ENTRETIEN DES OUTILS ÉLECTRIQUES

- **Ne pas forcer l'outil. Utiliser l'outil approprié pour l'application.** Un outil approprié exécutera le travail mieux et de façon moins dangereuse s'il est utilisé dans les limites prévues.
- **Ne pas utiliser l'outil si le commutateur ne permet pas de le mettre en marche ou de l'arrêter.** Tout outil qui ne peut pas être contrôlé par son commutateur est dangereux et doit être réparé.
- **Débrancher l'outil et/ou retirer le bloc-piles avant d'effectuer des réglages, de changer d'accessoire ou de remiser l'outil.** Ces mesures de sécurité préventives réduisent les risques de démarrage accidentel de l'outil.
- **Ranger les outils motorisés hors de la portée des enfants et ne laisser personne n'étant pas familiarisé avec l'outil ou ces instructions utiliser l'outil.** Dans les mains de personnes n'ayant pas reçu des instructions adéquates, les outils sont dangereux.
- **Entretien des outils motorisés. Vérifier qu'aucune pièce mobile n'est mal alignée ou bloquée, qu'aucune pièce n'est brisée et s'assurer qu'aucun autre problème ne risque d'affecter le bon fonctionnement de l'outil. En cas de dommages faire réparer l'outil avant de l'utiliser de nouveau.** Beaucoup d'accidents sont causés par des outils mal entretenus.

RÈGLES DE SÉCURITÉ RELATIVES AUX OUTILS ÉLECTRIQUES

- **Garder les outils bien affûtés et propres.** Des outils correctement entretenus et dont les tranchants sont bien affûtés risquent moins de se bloquer et sont plus faciles à contrôler.
- **Utiliser l'outil, les accessoires et embouts, etc. conformément à ces instructions pour les applications pour lesquelles ils sont conçus, en tenant compte des conditions et du type de travail à exécuter.** L'usage d'un outil motorisé pour des applications pour lesquelles il n'est pas conçu peut être dangereux.

DÉPANNAGE

- **Les réparations doivent être confiées à un technicien qualifié, utilisant exclusivement des pièces identiques à celles d'origine.** Ceci assurera le maintien de la sécurité de l'outil.
- **Utiliser exclusivement des pièces identiques à celles d'origine pour les réparations. Se conformer aux instructions de la section Entretien de ce manuel.** L'usage de pièces non autorisées ou le non-respect des instructions peut présenter des risques de choc électrique ou de blessures.

AVERTISSEMENTS DE SÉCURITÉ RELATIFS AU TOUPIE

- **Tenir l'outil électrique par ses surfaces de préhension isolées étant donné que le fer peut entrer en contact avec le cordon d'alimentation de l'outil. Découpe un fil sous tension « électrifié » les pièces métalliques exposées de l'outil et peut électrocuter l'utilisateur.**
- **Dans la mesure du possible, utiliser des serre-joint pour maintenir la pièce sur une surface stable.** Une pièce tenue à la main ou contre son corps le rend instable et peut causer une perte de contrôle.
- **Apprendre à connaître l'outil. Lire attentivement le manuel d'utilisation. Apprendre les applications et les limites de l'outil, ainsi que les risques spécifiques relatifs à son utilisation.** Le respect de cette consigne réduira les risques d'incendie, de choc électrique et de blessures graves.
- **Toujours porter des lunettes de sécurité. Les lunettes ordinaires sont dotées de verres résistants aux impacts seulement ; ce ne sont PAS des lunettes de sécurité.** Le respect de cette règle réduira les risques de blessures graves.
- **Protection respiratoire. Porter un masque facial ou un masque anti-poussière si le travail produit de la poussière.** Le respect de cette consigne réduira les risques de blessures graves.
- **Protection auditive. Porter une protection auditive lors de l'utilisation prolongée.** Le respect de cette règle réduira les risques de blessures graves.
- **Inspecter régulièrement les cordons d'alimentation des outils et s'ils sont endommagés, les confier au centre de réparations agréé le plus proche. Toujours être conscient de l'emplacement du cordon.** Le respect de cette règle réduira les risques de choc électrique et d'incendie.
- **Vérifier l'état des pièces. Avant d'utiliser l'outil de nouveau examiner soigneusement les pièces et dispositifs de protection qui semblent endommagés afin de déterminer s'ils fonctionnent correctement et s'ils remplissent les fonctions prévues. Vérifier l'alignement des pièces mobiles, s'assurer qu'aucune pièce n'est bloquée ou cassée, vérifier la fixation de chaque pièce et s'assurer qu'aucun autre problème ne risque d'affecter le bon fonctionnement de l'outil. Toute protection ou pièce endommagée doit être correctement réparée ou remplacée dans un centre de réparations agréé.** Le respect de cette consigne réduira les risques de choc électrique, d'incendie et de blessures graves.
- **S'assurer que le cordon prolongateur est en bon état. Si un cordon prolongateur est utilisé, s'assurer que sa capacité est suffisante pour supporter le courant de fonctionnement de l'outil. Un calibre de fil (A.W.G) d'au minimum 14 est recommandé pour un cordon prolongateur de 15 m (50 pi) maximum. L'usage d'un cordon de plus de 30 m (100 pi) est déconseillé. En cas de doute, utiliser un cordon du calibre immédiatement supérieur. Moins le numéro de calibre est élevé, plus la capacité du fil est grande.** Un cordon de capacité insuffisante causerait une baisse de la tension de ligne, entraînant une perte de puissance et une surchauffe.
- **Inspecter la pièce et retirer les clous éventuels avant d'utiliser cet outil.** Le respect de cette consigne réduira les risques de blessures graves.
- **Conserver ces instructions.** Les consulter fréquemment et les utiliser pour instruire les autres utilisateurs éventuels. Si cet outil est prêté, il doit être accompagné de ces instructions.

PROPOSITION 65 DE LA CALIFORNIE

AVERTISSEMENT :

Ce produit et la poussière dégagée lors du ponçage, sciage, meulage, perçage de certains matériaux et lors d'autres opérations de construction contient des produits chimiques, notamment du plomb, identifiés par l'état de Californie comme causes de cancer, des malformations congénitales ou des lésions de l'appareil reproducteur. **Bien se laver les mains après toute manipulation.**




Voici certains exemples de ces produits chimiques :

- le plomb contenu dans la peinture au plomb,
- la silice cristalline contenue dans les briques, le béton et d'autres produits de maçonnerie, ainsi que
- l'arsenic et le chrome contenus dans le bois de construction traité par produits chimiques.






Le risque présenté par l'exposition à ces produits varie en fonction de la fréquence de ce type de travail. Pour réduire l'exposition, travailler dans un endroit bien aéré et utiliser des équipements de sécurité approuvés tels que masques antipoussière spécialement conçus pour filtrer les particules microscopiques.

SYMBOLES

Les termes de mise en garde suivants et leur signification ont pour but d'expliquer le degré de risques associé à l'utilisation de ce produit.

SYMBOLE	SIGNAL	SIGNIFICATION
	DANGER :	Indique une situation extrêmement dangereuse qui, si elle n'est pas évitée, aura pour conséquences des blessures graves ou mortelles.
	AVERTISSEMENT :	Indique une situation potentiellement dangereuse qui, si elle n'est pas évitée, pourrait entraîner des blessures graves ou mortelles.
	ATTENTION :	Indique une situation potentiellement dangereuse qui, si elle n'est pas évitée, pourrait entraîner des blessures légères ou de gravité modérée.
	ATTENTION :	(Sans symbole d'alerte de sécurité) Indique une situation pouvant entraîner des dommages matériels.

Certains des symboles ci-dessous peuvent être utilisés sur produit. Veiller à les étudier et à apprendre leur signification. Une interprétation correcte de ces symboles permettra d'utiliser produit plus efficacement et de réduire les risques.

SYMBOLE	NOM	DÉSIGNATION / EXPLICATION
	Symbole d'alerte de sécurité	Indique un risque de blessure potentiel.
	Lire le manuel d'utilisation	Pour réduire les risques de blessures, l'utilisateur doit lire et veiller à bien comprendre le manuel d'utilisation avant d'utiliser ce produit.
	Protection oculaire	Toujours porter une protection oculaire avec écrans latéraux certifiée conforme à la norme ANSI Z87.1.
	Avertissement concernant l'humidité	Ne pas exposer à la pluie ou l'humidité.
V	Volts	Tension
A	Ampères	Intensité
Hz	Hertz	Fréquence (cycles par seconde)
W	Watts	Puissance
min	Minutes	Temps
~	Courant continu	Type ou caractéristique du courant
n_0	Vitesse à vide	Vitesse de rotation à vide
	Outil de la classe II	Construction à double isolation
.../min	Par minute	Tours, coups, vitesse périphérique, orbites, etc., par minute

CARACTÉRISTIQUES ÉLECTRIQUES

DOUBLE ISOLATION

La double isolation est un dispositif de sécurité utilisé sur les outils à moteur électriques, éliminant le besoin de cordon d'alimentation habituel à trois fils avec terre. Toutes les pièces métalliques exposées sont isolées des composants internes du moteur par l'isolation protectrice. Les outils à double isolation ne nécessitent pas de mise à la terre.

AVERTISSEMENT :

Le système à double isolation est conçu pour protéger l'utilisateur contre les chocs électriques causés par une rupture du câblage interne de l'outil. Prendre toutes les précautions de sécurité normales pour éviter les chocs électriques.

NOTE : La réparation d'un outil à double isolation exigeant des précautions extrêmes ainsi que la connaissance du système, elle ne doit être confiée qu'à un réparateur qualifié. En ce qui concerne les réparations, nous recommandons de confier l'outil au centre de réparation le plus proche. Utiliser exclusivement des pièces d'origine pour les réparations.

CONNEXIONS ÉLECTRIQUES

Cet outil est équipé d'un moteur électrique de précision. Il doit être branché uniquement sur **une alimentation 120 V, 60 Hz, c.a. (courant résidentiel standard)**. Ne pas utiliser cet outil sur une source de courant continu (c.c.). Une chute de tension importante causerait une perte de puissance et une surchauffe du moteur. Si l'outil ne fonctionne pas une fois branché, vérifier l'alimentation électrique.

CORDONS PROLONGATEURS

Lors de l'utilisation d'un outil électrique à grande distance d'une prise secteur, veiller à utiliser un cordon prolongateur d'une capacité suffisante pour supporter l'appel de courant de l'outil. Un cordon de capacité insuffisante causerait une baisse de la tension de ligne, entraînant une perte de puissance et une surchauffe. Se reporter au tableau ci-dessous pour déterminer le calibre minimum de fil requis pour un cordon donné. Utiliser exclusivement des cordons à gaine cylindrique homologués par Underwriter's Laboratories (UL).

Pour le travail à l'extérieur, utiliser un cordon prolongateur spécialement conçu à cet effet. Ce type de cordon porte l'inscription « WA » ou « W » sur sa gaine.

Avant d'utiliser un cordon prolongateur, vérifier que ses fils ne sont ni détachés ni exposés et que son isolation n'est ni coupée, ni usée.

**Intensité nominale (sur la plaquette signalétique de l'outil)

Longueur du cordon	Calibre de fil (A.W.G.)					
	0-2,0	2,1-3,4	3,5-5,0	5,1-7,0	7,1-12,0	12,1-16,0
25'	16	16	16	16	14	14
50'	16	16	16	14	14	12
100'	16	16	14	12	10	—

**Utilisé sur circuit de calibre 12 – 20 A

NOTE : AWG = American Wire Gauge

AVERTISSEMENT :

Maintenir le cordon prolongateur à l'écart de la zone de travail. Lors du travail avec un cordon électrique, placer le cordon de manière à ce qu'il ne risque pas de se prendre dans les pièces de bois, outils et autres obstacles. Ne pas prendre cette précaution peut entraîner des blessures graves.

AVERTISSEMENT :

Vérifier l'état des cordons prolongateurs avant chaque utilisation. Remplacer immédiatement tout cordon endommagé. Ne jamais utiliser un outil dont le cordon d'alimentation est endommagé, car tout contact avec la partie endommagée pourrait causer un choc électrique et des blessures graves.

CARACTÉRISTIQUES

FICHE TECHNIQUE

Collet 6,4 mm (1/4 po)
Vitesse à vide 20 000-30 000 r/min

Alimentation..... 120 V, 5,5 A, 60 Hz
Commutateur Deslice
Poids net 1,7 kg (3,8 lb)

VEILLER À BIEN CONNAÎTRE TOUPIE

Voir la figure 1, page 14.

La sécurité d'utilisation de ce produit exige la compréhension des informations apposées sur l'outil et contenues dans ce manuel d'utilisation, ainsi que la connaissance du travail à exécuter. Avant d'utiliser ce produit, se familiariser avec toutes ses fonctions et règles de sécurité.

ÉCHELLE DE PROFONDEUR DE COUPE

La toupie comporte un échelle de profondeur de coupe trouve sur le latéral du boîtier moteur.

GUIDE DE CHANT

Le guide de chant garde le fer à une certaine distance du bord d'une planche droite.

LAMPE DE TRAVAIL À DEL

La lampe DÉL fournit un éclairage supplémentaire pour mieux voir la zone de coupe.

MICRORÉGLAGE DE LA PROFONDEUR

La fonction de microréglage de la profondeur avec fonction de remise à zéro permet de modifier la profondeur de coupe avec précision.

MOTEUR

Cette rogneuse est équipée d'un moteur de 5.5 ampères assez puissant pour de nombreuses applications.

LEVIER DE DÉGAGEMENT MOTEUR

La toupie comporte un levier à dégagement moteur qui permet d'effectuer rapidement et facilement d'importants réglages de la profondeur de coupe.

ASSEMBLAGE

DÉBALLAGE

Ce produit doit être assemblé.

- Avec précaution, sortir l'outil et les accessoires de la boîte. S'assurer que toutes les pièces figurant sur la liste de contrôle sont incluses.

AVERTISSEMENT :

Ne pas utiliser le produit s'il n'est pas complètement assemblé ou si des pièces semblent manquantes ou endommagées. Le fait d'utiliser un produit assemblé de façon inadéquate ou incomplète peut entraîner des blessures graves.

- Examiner soigneusement l'outil pour s'assurer que rien n'a été brisé ou endommagé en cours de transport.

ZONE DE SAISIE AVEC SURMOULAGE ERGONOMIQUE

Zone de saisie avec surmoulage ergonomique qui permet d'effectuer poigne et confort.

DÉTACHABLE BASE

La détachable base qui permet un accès plus facile to the écrou de douille.

LA ROND BASE

L'embase ronde, il est plus facile de tourner lorsque l'outil de découpe avec un guide de chant.

COMMUTATEUR DESLICE

Le commutateur se trouve sur le dessus du boîtier moteur. Le commutateur deslice est doté d'un système de démarrage progressif, qui prolonge la vie du moteur et procure à l'opérateur davantage de contrôle lors du démarrage de toupie.

BLOCAGE DE LA BROCHE

Le dispositif de verrouillage de la broche permet d'immobiliser celle-ci de manière à desserrer l'écrou de mandrin et changer les couteaux au moyen d'une simple clé.

LA SOUS BASE

La sous base carrée facilite l'utilisation d'une règle de précision.

COMMANDE DE VITESSE VARIABLE

La commande de vitesse variable, qui se trouve sur le avant du boîtier moteur, permet d'ajuster la vitesse de rotation, entre 20 000 et 30 000 r/min.

- Ne pas jeter les matériaux d'emballage avant d'avoir soigneusement examiné l'outil et avoir vérifié qu'il fonctionne correctement.

- Si des pièces sont manquantes ou endommagées, appeler le 1-866-539-1710.

LISTE DE CONTRÔLE D'EXPÉDITION

Toupie avec rond base

Clé

Guide de chant

Tiges du guide (2)

Fer à rogner à roulement à billes noyé

Sacoche

La sous base

Manuel d'utilisation

ASSEMBLAGE

AVERTISSEMENT :

Si des pièces manquent ou sont endommagées, ne pas utiliser ce produit avant qu'elles aient été remplacées. Le fait d'utiliser ce produit même s'il contient des pièces endommagées ou s'il lui manque des pièces peut entraîner des blessures graves.

AVERTISSEMENT :

Ne pas essayer de modifier cet outil ou de créer des accessoires non recommandés pour l'outil. De telles altérations ou modifications sont considérées comme un usage abusif et peuvent créer des conditions dangereuses, risquant d'entraîner des blessures graves.

AVERTISSEMENT :

Ne pas brancher sur le secteur avant d'avoir terminé l'assemblage. Le non respect de cet avertissement peut causer un démarrage accidentel, entraînant des blessures graves.

ENLEVER LA BASE

Voir la figure 2, page 14.

- Débrancher la toupie.
- Tirer le levier de levier de dégagement rapide en position ouverte.
- Obtenir de la base avec d'une main. Obtenir la zone de saisie avec surmoulage ergonomique avec d'une main.
- Enfoncer le levier de dégagement moteur. Ensuite, tirez sur le moteur hors de la base jusqu'à ce qu'ils se séparent.

Se connecter ensemble de moteur et la base:

- Enfoncer le levier de dégagement moteur.
- Aligner le ensemble de moteur avec la base et poussez la moteur sur le base.

NOTE : Cette mai exigent une certaine force pour vaincre le moteur ressort de retenue

- Relâchement le levier de dégagement moteur et fermer levier de dégagement rapide.
-

AVERTISSEMENT :

Si le fer est changé immédiatement après avoir été utilisé, veiller à ne toucher ni le fer, ni le collet avec les doigts ou la main, car ces pièces peuvent être brûlantes. Toujours utiliser la clé fournie pour éviter des brûlures.

INSTALLATION / RETRAIT DES FERS

Voir la figure 3, page 15.

- Débrancher la toupie.
- Tirer le levier de levier de dégagement rapide en position ouverte.
- Enfoncer le levier de dégagement moteur et déplacer la base afin de s'assurer d'avoir un accès direct à l'écrou de mandrin. Il n'est pas nécessaire de retirer la base.
- Enfoncer le bouton de verrouillage de l'arbre et tourner la broche jusqu'à ce qu'elle se verrouille.
- Tourner la clé dans le sens antihoraire afin de desserrer l'écrou de mandrin. Le mandrin est usiné pour des tolérances de précision et fonctionne avec des couteaux dont les tiges ont 6,35 mm (1/4 po) de diamètre.
- Si le couteau est installé pour la première fois, il peut l'être une fois que l'écrou de mandrin est desserré. Si l'utilisateur change de couteaux, ceux-ci glisseront facilement du mandrin une fois l'écrou desserré.

NOTE : La pointe du couteau est dotée d'un revêtement protecteur de cire qui doit être retiré avant d'utiliser l'outil pour la première fois. Décoller simplement le revêtement de cire et s'assurer qu'il ne reste aucune trace de cire avant d'utiliser la toupie.

- Insérer la tige du couteau dans le mandrin jusqu'à ce qu'il atteigne le fond, puis le tirer vers l'extérieur d'environ 1,59 mm (1/16 po). Cela permet la dilatation lorsque le couteau se réchauffe.
- Serrer solidement l'écrou de mandrin, le tourner dans le sens horaire afin de le serrer solidement, en utilisant la grande tête de la clé.
- Enfoncer le levier de dégagement moteur et remettre la base en position d'utilisation.
- Pousser de levier de dégagement rapide en position fermeture.

FIXATION DE SOUS-BASE CARRÉE

Voir la figure 4, page 14.

- Débrancher la toupie.
 - Mettre la toupie à l'envers afin de retirer les quatre vis de la sous-base et la sous base ronde.
 - Fixer la sous-base carrée au moyen des mêmes vis.
 - Serrer solidement les vis. Ne pas les serrer excessivement.
-

AVERTISSEMENT :

Toujours utiliser la base pour le rognage de laminés. L'utilisation de toupie sans la base ou avec la base incorrecte peut entraîner des blessures graves.

UTILISATION

AVERTISSEMENT :

Ne pas laisser la familiarité avec l'outil faire oublier la prudence. Ne pas oublier qu'une fraction de seconde d'inattention peut entraîner des blessures graves.

AVERTISSEMENT :

Toujours porter une protection oculaire certifiée conforme à la norme ANSI Z87.1. Si cette précaution n'est pas prise, des objets peuvent être projetés dans les yeux et causer des lésions graves.

AVERTISSEMENT :

Ne pas utiliser d'outils ou accessoires non recommandés pour cet outil. L'utilisation de pièces et accessoires non recommandés peut entraîner des blessures graves.

APPLICATIONS

Cet outil peut être utilisé pour les applications ci-dessous :

- Rognage fin et professionnel des laminés
- Ébénisterie, rognage des dessus de comptoir et travaux de finition
- Rognage du bois et du plastique

MISE EN MARCHÉ ET ARRÊT DE TOUPIE

Voir la figure 5, page 14.

- Pour mettre toupie en **MARCHE**, mettre le commutateur du dessus du boîtier moteur en position **MARCHE (I)** (ON).

NOTE : Toupie est dotée d'un système de démarrage progressif. Elle démarre lentement et accélère progressivement jusqu'à la vitesse sélectionnée.

- Une fois le travail terminé, remettre le commutateur en position d'**ARRÊT (O)** (OFF).

AVERTISSEMENT :

Une fois le commutateur mis en position d'**ARRÊT (O)**, le fer continue de tourner. Attendre l'arrêt complet du fer avant de continuer le travail. Le non-respect de cet avertissement peut entraîner des blessures graves.

RÉGLAGE DE LA VITESSE

Voir la figure 6, page 14.

Pour régler la vitesse de toupie, tourner la molette située sur le avant du boîtier moteur. Tourner la molette vers la gauche pour augmenter la vitesse. Les chiffres plus élevés du cadran indiquent des vitesses plus élevées. Tourner la molette vers

la droite pour réduire la vitesse. La vitesse peut être réglée entre 20 000 et 30 000 tr/min.

UTILISATION DE TOUPIE

Voir la figure 7, page 15.

Avant de mettre l'outil en marche, le débrancher et s'assurer que le fer est bien serré dans le collet et que le réglage de profondeur de coupe est correct. Ne jamais mettre l'outil en marche lorsque la lame est en contact avec la pièce à rogner.

Une fois le travail terminé, écartez légèrement le fer de la pièce. Arrêter toupie et attendre l'arrêt complet du fer avant de l'éloigner de la pièce.

Pour le rognage, placer la base de l'outil sur la surface de travail et maintenir fermement toupie avec la main. S'assurer que le fer tourne à pleine vitesse avant de le mettre en contact avec la pièce à rogner.

AVERTISSEMENT :

Éviter les positions de mains risquant de mettre les doigts en contact avec le fer, au travers des ouvertures de la base. L'insertion des doigts dans les ouvertures de la base peut causer des coupures ou brûlures graves.

AVERTISSEMENT :

Ne jamais utiliser un fer de plus de 28,6 mm (1-1/8 po) avec cette rogneuse. L'usage de fers de plus grande taille peut causer une perte de contrôle et entraîner des blessures graves.

AVERTISSEMENT :

Ne jamais utiliser un fer de finition dont la vitesse nominale est de moins de 30 000 r/min sur cette rogneuse. Cela pourrait entraîner des blessures graves.

AVERTISSEMENT :

Toujours utiliser la base pour le rognage de laminés. L'utilisation de toupie sans la base ou avec la base incorrecte peut entraîner des blessures graves.

DIRECTION D'ENGAGEMENT

Voir les figures 8 et 9, page 15.

Le moteur de toupie et le fer tournent en sens antihoraire. Cela donne à l'outil une légère tendance à tourner dans les mains, en particulier lors du démarrage du moteur.

L'outil doit être engagé sur la pièce de gauche à droite. Ainsi, le sens de rotation du fer tire l'outil contre la pièce usinée. Si toupie est engagée dans le sens contraire, la force de rotation du fer a tendance à projeter l'outil à l'écart de la pièce. Un rebond peut causer la perte de contrôle.

UTILISATION

Étant donné la vitesse de rotation extrêmement élevée, il y a très peu de rebond lorsque l'avance est normale. Toutefois, si le fer heurte un noeud, un grain dur ou un objet étranger gênant la progression normale, un léger rebond peut se produire. Ce rebond suffit à affecter la précision de l'usinage si l'on n'y est pas préparé. Un tel rebond se produit toujours dans le sens inverse du sens de rotation du fer.

Pour éviter le rebond, planifier la configuration et le sens de l'avance - de manière à toujours pousser l'outil, afin de le maintenir contre le dispositif de guidage utilisé - c'est-à-dire dans le sens de rotation du fer. L'outil doit être poussé de façon que les tranchants du fer mordent continuellement dans du bois neuf (non coupé).

VITESSE D'ENGAGEMENT CORRECTE

Des résultats professionnels ne peuvent être obtenus qu'avec un réglage soigneux et une vitesse d'avance correcte.

La vitesse d'engagement à utiliser dépend de plusieurs facteurs :

- la dureté et la teneur en humidité de la pièce
- la profondeur de coupe
- le diamètre du fer

Pour la coupe de rainures peu profondes dans les bois tendres, tels que le pin, une vitesse élevée peut être utilisée. Pour les coupes profondes dans les bois durs, tels que le chêne, utiliser une vitesse d'avance plus basse.

Plusieurs facteurs contribuent au choix de la vitesse d'avance.

- La vitesse utilisée ne doit pas causer un ralentissement du moteur.
- La vitesse utilisée doit permettre au fer d'avancer fermement et de produire un copeau spirale continu, ou s'il s'agit d'un laminé, un bord lisse.
- Écouter le son produit par le moteur. Un son aigu signifie que l'avance est trop lente. Un son grave et étouffé signale un forçage de l'avance.
- Observer la progression de chaque taille. Une avance trop lente peut également causer la déviation de la toupie de la ligne de coupe prévue. Une avance forcée rend l'outil plus difficile à maintenir du fait de la perte de vitesse.
- Observer les copeaux produits par la coupe. Si l'outil est avancé trop lentement il entame ou brûle le bois. Si l'avance est trop rapide, le fer taille des copeaux de grande taille et laisse des marques dans le bois.

Toujours effectuer un essai sur une chute de bois ou de laminé avant de commencer le travail. Toujours saisir et maintenir fermement l'outil lors du travail.

Pour la taille d'une rainure étroite et peu profonde dans un bois tendre et sec, la vitesse d'avance correcte est la vitesse à laquelle toupie peut être déplacée contre la ligne guide. Si le fer est de grande taille, la rainure profonde ou la pièce difficile à couper, une basse vitesse peut être préférable. La

taille contre le grain peut exiger une avance plus lente que la taille dans le sens du grain d'une même pièce.

Il n'y a pas de règle absolue. La vitesse d'avance correcte s'acquiert avec l'usage et l'expérience.

AVANCE FORCÉE

Voir la figure 10, page 15.

La vitesse de rotation de toupie étant extrêmement élevée (20 000 à 30 000 r/min), celle-ci effectuera des coupes nettes et lisses si elle tourne librement, sans être surchargée par une avance forcée. Les trois facteurs qui causent une avance forcée sont la taille du fer, la profondeur de coupe, et les caractéristiques de la pièce. Plus le fer est gros et plus la coupe est profonde, plus l'avance doit être lente. Si le bois est très dur, noueux, résineux ou humide, la vitesse d'avance doit être réduite encore davantage.

Un rognage propre et net ne peut être obtenu que lorsque le fer tourne à relativement haute vitesse et mord légèrement, produisant de petits copeaux, nettement taillés. Si toupie est poussée trop vite, la vitesse de rotation du fer par rapport à la vitesse d'avance devient inférieure à la normale. De ce fait, le fer découpe de plus gros copeaux. Plus les copeaux sont gros, plus la finition est grossière. En outre, la taille de plus gros copeaux exigeant davantage de puissance, le moteur de la toupie risque d'être surchargé.

Si la vitesse d'avance est forcée à l'extrême, la vitesse de rotation du fer est réduite au point que les copeaux sont si gros qu'ils sont partiellement arrachés au lieu d'être nettement coupés. Ceci cause l'éclatement et l'entaillage de la pièce.

AVANCE TROP LENTE

Voir la figure 10, page 15.

Lorsque toupie est avancée trop lentement sur la pièce, le fer n'attaque pas le bois assez vite pour découper des copeaux, au lieu de cela, il racle de petites particules semblables à de la sciure. Le râpement produit de la chaleur, ce qui risque de vitrifier, de brûler ou d'abîmer le bois et de surchauffer le fer. Des fers émoussés peuvent également contribuer au raclage et au brûlage.

En outre, lorsque le fer râpe au lieu de couper, la toupie est plus difficile à contrôler. Lorsque la charge exercée sur le moteur est pratiquement nulle, le fer tourne à une vitesse proche du maximum et a une tendance beaucoup plus grande que la normale à rebondir sur la pièce (en particulier si le grain du bois est prononcé, avec des portions dures et tendres). De ce fait, la coupe peut être ondulée au lieu de droite.

PROFONDEUR DE COUPE

Voir la figure 11, page 15.

La profondeur de coupe affecte la vitesse d'avance et la qualité de la coupe. L'usage d'une profondeur de coupe correcte peut réduire les risques d'endommagement du moteur et du fer.

UTILISATION

Une coupe plus profonde demande une avance plus lente qu'une coupe peu profonde. Une profondeur de coupe excessive ralentit l'avance au point que le fer râpe le bois au lieu de le couper et n'est donc pas recommandée.

Une coupe trop profonde peut causer la cassure des fers de petite taille. Les fers de petite taille dont le diamètre n'est que de 1,6 mm (1/16 po) se brisent facilement lorsqu'ils sont soumis à une poussée latérale excessive. Bien qu'un fer de plus grande taille risque moins de se briser, si la coupe est trop profonde, il peut s'avérer très difficile de guider et contrôler l'outil.

C'est pourquoi nous recommandons de ne pas dépasser une profondeur de coupe de 3,2 mm (1/8 po) à chaque passe, quelle que soit la taille du fer, la dureté ou l'état de la pièce de bois. Cela permet d'obtenir des résultats de qualité supérieure.

Par conséquent, lorsqu'une coupe plus profonde est nécessaire, effectuer plusieurs passes en abaissant le fer de 3,2 mm (1/8 po) à chacune. Pour gagner du temps, effectuer toutes les coupes désirées à une même profondeur avant d'abaisser le fer pour les coupes suivantes. Cela assurera l'uniformité de la profondeur lors de l'exécution de la passe finale.

AVERTISSEMENT :

Si la profondeur de coupe désirée ne peut pas être obtenue en une seule passe en toute sécurité, effectuer deux passes ou plus. Ne pas tailler plus de 3,2 mm (1/8 po) par passe. L'usage de fers de plus grande taille peut causer une perte de contrôle et entraîner des blessures graves.

RÉGLAGE DE LA PROFONDEUR DE COUPE

Voir la figure 12, page 15.

- Débrancher l'outil.
- Tirer le levier de levier de dégagement rapide à la position ouverte.
- Appuyer sur levier de dégagement moteur et le tenir enfoncé.
- Faire glisser la portion boîtier du moteur de toupie vers l'avant jusqu'à ce que la pointe du fer touche la pièce. À ce point, la profondeur de coupe est de zéro. Desserrer le levier de dégagement moteur.

NOTE : Le levier à dégagement moteur permet d'obtenir une grande profondeur de coupe.

- Utiliser microréglage de la profondeur, ajuster la position de l'outil pour obtenir la profondeur de coupe désirée en relevant ou abaissant le boîtier du moteur. Pour abaisser le boîtier du moteur, tourner le bouton de microréglage de la profondeur vers la flèche « DOWN » (pointant vers le bas) située sur le côté du bouton.

NOTE : Pour régler la profondeur de coupe à zéro, tenir la toupie en place et tourner le bouton de microréglage de la profondeur jusqu'à ce qu'il indique « 0 ».

- La profondeur du fer est indiquée sur l'échelle de profondeur de coupe sur le boîtier du moteur. Chaque graduation de l'échelle représente 1,6 mm (1/16 po). Utiliser le bord supérieur de la base en fonte (indicateur de profondeur de coupe) comme référence lors du réglage de la profondeur de coupe.
- Lorsque la profondeur de coupe est atteinte. Pousser le levier de dégagement moteur à la position fermeture.

AVERTISSEMENT :

Éviter l'ouverture de la base. Tout contact avec le fer en rotation infligerait des blessures graves.

USAGE DU GUIDE DE CHANT

Voir la figure 13 et 14, page 16.

Utiliser le guide de chant pour découper ou rogner les pièces droites ou courbe de bordures.

- Débrancher l'outil.
- Visser les tiges du guide dans la base et les serrer avec un tournevis à lame plate.
- Glisser le guide de chant sur les tiges.
- Retirer les deux vis papillon du guide à roulement et les installer sur le guide de chant.
- Mesurer la distance correcte de décalage du fer ou, dans le cas d'un rognage, placer le fer contre le bord de la pièce.
- Serrer les deux vis papillon pour assujettir le guide de chant.
- Déplacer toupie le long de la pièce, en gardant le guide en contact constant avec le bord de la pièce.

ENTRETIEN

AVERTISSEMENT :

Utiliser exclusivement des pièces d'origine pour les réparations. L'usage de toute autre pièce pourrait créer une situation dangereuse ou endommager l'outil.

AVERTISSEMENT :

Toujours porter une protection oculaire certifiée conforme à la norme ANSI Z87.1. Si cette précaution n'est pas prise, des objets peuvent être projetés dans les yeux et causer des lésions graves.

ENTRETIEN GÉNÉRAL

Éviter d'utiliser des solvants pour le nettoyage des pièces en plastique. La plupart des matières plastiques peuvent être endommagées par divers types de solvants du commerce. Utiliser un chiffon propre pour éliminer la saleté, la poussière, l'huile, la graisse, etc.

AVERTISSEMENT :

Ne jamais laisser de liquides tels que le fluide de freins, l'essence, les produits à base de pétrole, les huiles pénétrantes, etc., entrer en contact avec les pièces en plastique. Les produits chimiques peuvent endommager, affaiblir ou détruire le plastique, ce qui peut entraîner des blessures graves.

Les outils électriques utilisés sur la fibre de verre, le placoplâtre, les mastics de bouchage ou le plâtre s'usent plus vite et sont susceptibles de défaillance prématurée, car les particules et les éclats de fibre de verre sont fortement abrasifs pour les roulements, balais, commutateurs, etc. Toutefois, si l'outil a été utilisé sur l'un de ces matériaux, il est extrêmement important de le nettoyer à l'air comprimé.

LUBRIFICATION

Tous les roulements de cet outil sont enduits d'une quantité suffisante de lubrifiant de haute qualité pour la durée de vie de l'outil, dans des conditions d'utilisation normales. Aucune autre lubrification n'est donc nécessaire.

REPLACEMENT DES BALAIS

Voir la figure 15, page 16.

- Débrancher toupie.
- Si un fer est installé, le retirer.
- Retirer le couvercle des balais et le rondelle à l'aide d'un tournevis plat.
- Retirer les balais.
- Regarder s'ils sont excessivement usés. S'ils le sont, les remplacer (par paire). Ne jamais remplacer un seul balai.
- Remettre les balais en place.
- S'assurer que les que les encoche du couvercle de ressort sont alignées, de manière à ce que le couvercle soit à plat sur le ressort.
- Réinstaller le rondelle et le couvercle et le serrer à l'aide d'un tournevis. Ne pas trop serrer.
- Répéter l'opération de l'autre côté.
- Toupie est maintenant prête à l'emploi.

**FIGURES (ILLUSTRATIONS) COMMENÇANT SUR
14 DE PAGE APRÈS LA SECTION ESPAGNOL.**

GARANTIE

GARANTIE D'ENTRETIEN DE 3 ANS SUR LES OUTILS ÉLECTRIQUES À MAIN ET D'ÉTABLI RIDGID®

Une preuve d'achat doit être présentée pour toute demande de réparation sous garantie.

Cette garantie se limite aux outils électriques à main et d'établi RIDGID® achetés à partir du 1/2/04. Ce produit est fabriqué par One World Technologies, Inc., sous licence de marque de RIDGID, Inc. Toutes les correspondances relatives à la garantie doivent être adressées à One World Technologies, Inc. à l'intention de : Service technique des outils motorisés à main et d'établi RIDGID, au 1-866-539-1710 (appel gratuit).

POLITIQUE DE SATISFACTION ASSURÉE DE 90 JOURS

En cas de non satisfaction pour quelque raison que ce soit au cours des 90 jours suivant la date d'achat de cet outil à main ou d'établi RIDGID®, il pourra être retourné au point de vente pour échange ou remboursement intégral. Pour obtenir un outil en échange, l'équipement original devra être retourné, dans son emballage d'origine, accompagné d'une preuve d'achat. L'outil fourni en échange sera couvert par la garantie limitée pour le restant de la période de validité de 3 ANS.

CE QUI EST COUVERT PAR LA GARANTIE LIMITÉE DE 3 ANS

Cette garantie sur les outils électriques à main et d'établi RIDGID® couvre tous les vices de matériaux et de fabrication, ainsi que les articles de consommation courants, tels que balais, mandrins, moteurs, commutateurs, cordons, engrenages et même les batteries d'outils sans fil de cet outil RIDGID®, pour une période de trois ans, à compter de la date d'achat. Les garanties d'autres produits RIDGID® peuvent être différentes.

RÉPARATIONS SOUS GARANTIE

Pour toute réparation sous garantie, cet outil RIDGID® devra être retourné, en port payé, à un centre de réparations RIDGID® pour outils motorisés à main et d'établi agréé. L'adresse du centre de réparations agréé le plus proche peut être obtenue en appelant le 1-866-539-1710 (appel gratuit), ou en accédant au site Internet RIDGID®, www.ridgid.com. Le reçu de vente daté doit être présenté lors de toute demande de réparation sous garantie. Le centre de réparations agréé corrigera tout défaut de fabrication et réparera ou remplacera (à notre choix) gratuitement, toute pièce défectueuse.

CE QUI N'EST PAS COUVERT

La garantie ne couvre que l'acheteur au détail original et n'est pas transférable. Cette ne couvre pas les problèmes de fonctionnement, défaillances ou autres défauts résultant d'un usage incorrect ou abusif, de la négligence, de la modification, de l'altération ou de réparations effectuées par quiconque autre qu'un centre de réparations d'outils motorisés à main et d'établi RIDGID® agréé. Les articles de consommation fournis avec cet outil, tels que, mais sans y être limité, les lames, embouts et abrasifs, ne sont pas couverts.

ONE WORLD TECHNOLOGIES, INC. NE FAIT AUCUNE AUTRE GARANTIE, REPRÉSENTATION OU PROMESSE CONCERNANT LA QUALITÉ ET LES PERFORMANCES DE CET OUTIL ÉLECTRIQUE, AUTRES QUE CELLES EXPRESSÉMENT INDIQUÉES DANS LE PRÉSENT DOCUMENT.

AUTRES LIMITATIONS

Sous réserve que les lois en vigueur le permettent, toutes les garanties implicites sont exclues, y compris les GARANTIES DE VALEUR MARCHANDE ou D'ADÉQUATION À UN USAGE PARTICULIER. Toutes les garanties implicites, y compris les garanties de valeur marchande ou d'adéquation à un usage particulier ne pouvant pas être exclues en raison des lois en vigueur, sont limitées à une durée de trois ans, à compter de la date d'achat. One World Technologies, Inc. et RIDGID, Inc. déclinent toute responsabilités pour les dommages directs ou indirects. Certains états et provinces ne permettant pas de limitation sur la durée des garanties implicites, et / ou l'exclusion ou la limitation des dommages directs ou indirects, les restrictions ci-dessus peuvent ne pas être applicables. Cette garantie donne au consommateur des droits spécifiques, et celui-ci peut bénéficier d'autres droits, qui varient selon les états ou provinces.

One World Technologies, Inc.

P.O. Box 35, Hwy. 8

Pickens, SC 29671, ÉTATS-UNIS

ADVERTENCIAS DE SEGURIDAD PARA HERRAMIENTAS ELÉCTRICAS

ADVERTENCIA

Lea todas las advertencias de seguridad y las instrucciones. La inobservancia de las advertencias e instrucciones puede causar descargas eléctricas, incendios o lesiones graves.

Guarde todas las advertencias e instrucciones para consultarlas en el futuro. El término “herramienta eléctrica” en las advertencias se refiere a las herramientas eléctricas que funcionan con corriente (con cordón) o las que funcionan con batería (inalámbricas).

ÁREA DE TRABAJO

- **Mantenga limpia y bien iluminada el área de trabajo.** Un área de trabajo mal despejada o mal iluminada propicia accidentes.
- **No utilice herramientas motorizadas en atmósferas explosivas, como las existentes alrededor de líquidos, gases y polvos inflamables.** Las herramientas eléctricas generan chispas que pueden encender el polvo y los vapores inflamables.
- **Mantenga alejados a los niños y circunstantes al maniobrar una herramienta eléctrica.** Toda distracción puede causar la pérdida del control de la herramienta.

SEGURIDAD ELÉCTRICA

- **Las clavijas de las herramientas eléctricas deben corresponder a las tomas de corriente donde se conectan. Nunca modifique la clavija de ninguna forma. No utilice ninguna clavija adaptadora con herramientas eléctricas dotadas de contacto a tierra.** Conectando las clavijas originales en las tomas de corriente donde corresponden se disminuye el riesgo de una descarga eléctrica.
- **Evite el contacto del cuerpo con las superficies de objetos conectados a tierra, como las tuberías, radiadores, estufas y refrigeradores.** Existe un mayor riesgo de descargas eléctricas si el cuerpo está haciendo tierra.
- **No exponga las herramientas eléctricas a la lluvia ni a condiciones de humedad.** La introducción de agua en una herramienta eléctrica aumenta el riesgo de descargas eléctricas.
- **No maltrate el cordón eléctrico. Nunca utilice el cordón para trasladar, desconectar o tirar de la herramienta eléctrica. Mantenga el cordón lejos del calor, aceite, bordes afilados y piezas móviles.** Los cordones eléctricos dañados o enredados aumentan el riesgo de descargas eléctricas.
- **Al utilizar una herramienta eléctrica a la intemperie, use un cordón de extensión apropiado para el exterior.** Usando un cordón adecuado para el exterior se disminuye el riesgo de descargas eléctricas.
- **Si debe operar una herramienta en lugares húmedos, use un suministro protegido por un interruptor de circuito con pérdida a tierra (GFCI).** El uso de un GFCI reduce el riesgo de descargas eléctricas.

SEGURIDAD PERSONAL

- **Permanezca alerta, preste atención a lo que esté haciendo y aplique el sentido común al utilizar herramientas eléctricas. No utilice la herramienta eléctrica si está cansado o se encuentra bajo los efectos de alguna droga, alcohol o medicamento.** Un momento de inatención al utilizar una herramienta eléctrica puede causar lesiones corporales serias.
- **Utilice protección el equipo otros. Siempre póngase protección ocular.** El uso de equipo protector como mascarilla para el polvo, calzado de seguridad, casco y protección para

los oídos en las circunstancias donde corresponda disminuye el riesgo de lesiones.

- **Evite que la herramienta se active accidentalmente. Asegúrese de que el interruptor esté en la posición de apagado antes de conectar la herramienta a un suministro de corriente o de colocar un paquete de baterías.** Transportar herramientas eléctricas con el dedo en el interruptor o enchufar herramientas eléctricas que tienen el interruptor encendido puede ocasionar accidentes.
- **Retire toda llave o herramienta de ajuste antes de encender la herramienta eléctrica.** Toda llave o herramienta de ajuste dejada en una pieza giratoria de la herramienta eléctrica puede causar lesiones.
- **No estire el cuerpo para alcanzar mayor distancia. Mantenga una postura firme y buen equilibrio en todo momento.** De esta manera se logra un mejor control de la herramienta eléctrica en situaciones inesperadas.
- **Vístase adecuadamente. No vista ropas holgadas ni joyas. Mantenga el cabello, la ropa y los guantes alejados de las piezas móviles.** Las ropas holgadas y las joyas, así como el cabello largo, pueden engancharse en las piezas móviles.
- **Si se suministran dispositivos para conectar mangueras de extracción y captación de polvo, asegúrese de que éstas estén bien conectadas y se usen correctamente.** El uso de la captación de polvo puede reducir los peligros relacionados con éste.
- **No vista ropas holgadas ni joyas. Recójase el cabello si está largo.** Las ropas holgadas y las joyas, así como el cabello largo, pueden resultar atraídas hacia el interior de las aberturas de ventilación.
- **No utilice la unidad al estar en una escalera o en un soporte inestable.** Una postura estable sobre una superficie sólida permite un mejor control de la herramienta eléctrica en situaciones inesperadas.

EMPLEO Y CUIDADO DE LA HERRAMIENTA ELÉCTRICA

- **No fuerce la herramienta eléctrica. Utilice la herramienta eléctrica adecuada para cada trabajo.** La herramienta eléctrica adecuada efectúa mejor y de manera más segura el trabajo, si además se maneja a la velocidad para la que está diseñada.
- **No utilice la herramienta si el interruptor no enciende o no apaga.** Cualquier herramienta eléctrica que no pueda controlarse con el interruptor es peligrosa y debe repararse.
- **Desconecte la clavija del suministro de corriente o retire el paquete de baterías de la herramienta eléctrica, según sea el caso, antes de efectuarle cualquier ajuste, cambiarle accesorios o guardarla.** Tales medidas preventivas de seguridad reducen el riesgo de poner en marcha accidentalmente la herramienta.
- **Guarde las herramientas eléctricas desocupadas fuera del alcance de los niños y no permita que las utilicen personas no familiarizadas con las mismas o con estas instrucciones.** Las herramientas eléctricas son peligrosas en manos de personas no capacitadas en el uso de las mismas.
- **Preste servicio a las herramientas eléctricas. Revise para ver si hay desalineación o atoramiento de piezas móviles, ruptura de piezas o cualquier otra condición que pueda afectar el funcionamiento de la herramienta. Si está dañada la herramienta eléctrica, permita que la reparen antes de usarla.** Numerosos accidentes son causados por herramientas eléctricas mal cuidadas.

ADVERTENCIAS DE SEGURIDAD PARA HERRAMIENTAS ELÉCTRICAS

- **Mantenga las herramientas de corte afiladas y limpias.** Las herramientas de corte bien cuidadas y con bordes bien afilados, tienen menos probabilidad de atascarse en la pieza de trabajo y son más fáciles de controlar.
- **Utilice la herramienta eléctrica, los accesorios y brocas, hojas y cuchillas de corte, ruedas de esmeril, etc. de conformidad con estas instrucciones, tomando en cuenta las condiciones de trabajo y la tarea por realizar.** Si se utiliza la herramienta eléctrica para operaciones diferentes de las indicadas podría originar una situación peligrosa.

SERVICIO

- **Permita que un técnico de reparación calificado preste servicio a la herramienta eléctrica, y sólo con piezas de repuesto idénticas.** De esta manera se mantiene la seguridad de la herramienta eléctrica.
- **Al dar servicio a una herramienta eléctrica, sólo utilice piezas de repuesto idénticas. Siga las instrucciones señaladas en la sección Mantenimiento de este manual.** El empleo de piezas no autorizadas o el incumplimiento de las instrucciones de mantenimiento puede significar un riesgo de descarga eléctrica o de lesiones de descarga eléctrica o de lesiones.

ADVERTENCIAS DE SEGURIDAD FRESADORA

- **Sostenga la herramienta eléctrica de las superficies de sujeción aisladas, debido a que la fresa puede hacer contacto con su propio cordón.** Para cortar un cable cargado cargue las piezas metálicas expuestas de la herramienta eléctrica y dé una descarga eléctrica al operador.
- **Utilice prensas o cualquier otro medio práctico de asegurar y sostener la pieza de trabajo en una plataforma segura.** Sostener la pieza con la mano o contra el cuerpo lo hace inestable y puede causar una pérdida de control.
- **Familiarícese con su herramienta eléctrica. Lea cuidadosamente el manual del operador. Aprenda sus usos y limitaciones, así como los posibles peligros específicos de esta herramienta.** Con el cumplimiento de esta regla se reduce el riesgo de una descarga eléctrica, incendio o lesión seria.
- **Siempre use gafas de seguridad. Los anteojos de uso diario tienen lentes resistentes a impactos únicamente; NO son anteojos de seguridad.** Con el cumplimiento de esta regla se reduce el riesgo de lesiones corporales serias.
- **Protéjase los pulmones. Use una careta o mascarilla contra el polvo si la operación genera mucho polvo.** Con el cumplimiento de esta regla se reduce el riesgo de lesiones serias.
- **Protéjase los oídos. Durante períodos prolongados de utilización del producto, póngase protección para los oídos.** Con el cumplimiento de esta regla se reduce el riesgo de lesiones corporales serias.
- **Inspeccione periódicamente los cordones eléctricos de las herramientas, y si están dañados, permita que los reparen en el centro de servicio autorizado más cercano de la localidad. Observe constantemente la ubicación del cordón eléctrico.** El cumplimiento de esta norma reduce el riesgo de una descarga eléctrica o incendio.
- **Revise para ver si hay piezas dañadas. Antes de seguir utilizando la herramienta, es necesario inspeccionar cuidadosamente toda protección o pieza dañada para determinar si funcionará correctamente y desempeñará la función a la que está destinada. Verifique la alineación de las partes móviles, que no haya atoramiento de partes móviles, que no haya piezas rotas, el montaje de las piezas y cualquier otra condición que pudiera afectar su funcionamiento. Toda protección o pieza que esté dañada debe repararse apropiadamente o reemplazarse en un centro de servicio autorizado.** Con el cumplimiento de esta regla se reduce el riesgo de una descarga eléctrica, incendio o lesión grave.
- **Asegúrese de que esté en buen estado el cordón de extensión. Al utilizar un cordón de extensión, utilice uno del suficiente calibre para soportar la corriente que consume el producto. Se recomienda que los conductores sean de calibre 14 (A.W.G.) por lo menos para un cordón de extensión de 50 pies (15 metros) de largo o menos. No se recomienda utilizar un cordón con más de 100 pies (30 metros) de largo. Si tiene dudas, utilice un cordón del calibre más grueso siguiente. Cuanto menor es el número de calibre, mayor es el grueso del cordón.** Un cordón de un calibre insuficiente causa una caída en el voltaje de línea, y produce recalentamiento y pérdida de potencia.
- **Inspeccione la madera y elimine todos los clavos presentes en la misma antes de usar esta herramienta.** Con el cumplimiento de esta regla se reduce el riesgo de lesiones serias.
- **Guarde estas instrucciones.** Consúltelas con frecuencia y empléelas para instruir a otras personas que puedan utilizar esta herramienta. Si presta a alguien esta herramienta, facilítele también las instrucciones.

CALIFORNIA - PROPUESTA DE LEY NÚM. 65



ADVERTENCIA:

Este producto puede contener sustancias químicas (por ejemplo, plomo) reconocidas por el estado de California como causantes de cáncer, defectos congénitos y otras afecciones del aparato reproductor. **Lávese las manos después de utilizar el aparato.** Algunos ejemplos de estas sustancias químicas son:

- plomo de las pinturas a base de plomo,
- silicio cristalino de los ladrillos, del cemento y de otros productos de albañilería, y
- arsénico y cromo de la madera químicamente tratada.

El riesgo de la exposición a estos compuestos varía, según la frecuencia con que se realice este tipo de trabajo. Para reducir la exposición personal, trabaje en áreas bien ventiladas, y con equipo de seguridad aprobado, tal como las caretas para el polvo especialmente diseñadas para filtrar partículas microscópicas.

SÍMBOLOS

Las siguientes palabras de señalización y sus significados tienen el objeto de explicar los niveles de riesgo relacionados con este producto.

SÍMBOLO	SEÑAL	SIGNIFICADO
	PELIGRO:	Indica una situación peligrosa inminente, la cual, si no se evita, causará la muerte o lesiones serias.
	ADVERTENCIA:	Indica una situación peligrosa posible, la cual, si no se evita, podría causar la muerte o lesiones serias.
	PRECAUCIÓN:	Indica una situación potencialmente peligrosa la cual, si no se evita, puede causar lesiones leves o moderadas.
	PRECAUCIÓN:	(Sin el símbolo de alerta de seguridad) Indica una situación que puede producir daños materiales.

Es posible que se empleen en este producto algunos de los siguientes símbolos. Le suplicamos estudiarlos y aprender su significado. Una correcta interpretación de estos símbolos le permitirá utilizar mejor y de manera más segura el producto.

SÍMBOLO	NOMBRE	DENOMINACIÓN/EXPLICACIÓN
	Alerta de seguridad	Indica un peligro posible de lesiones personales.
	Lea el manual del operador	Para reducir el riesgo de lesiones, el usuario debe leer y comprender el manual del operador antes de usar este producto.
	Protección ocular	Siempre póngase protección ocular con protección lateral con la marca de cumplimiento de la norma ANSI Z87.1.
	Alerta de condiciones húmedas	No exponga la unidad a la lluvia ni la use en lugares húmedos.
V	Volts	Voltaje
A	Amperes	Corriente
Hz	Hertz	Frecuencia (ciclos por segundo)
W		
min	Minutos	Tiempo
~	Corriente alterna	Tipo de corriente
n_0	Velocidad en vacío	Velocidad de rotación, en vacío
	Fabricación Clase II	Fabricación con doble aislamiento
.../min	Por minuto	Revoluciones, carreras, velocidad superficial, órbitas, etc., por minuto

ASPECTOS ELÉCTRICOS

DOBLE AISLAMIENTO

El doble aislamiento es una característica de seguridad de las herramientas eléctricas, la cual elimina la necesidad de usar el típico cordón eléctrico de tres conductores con conexión a tierra. Todas las partes metálicas expuestas están aisladas de los componentes metálicos internos del motor por medio de aislamiento de protección. No es necesario conectar a tierra las herramientas con doble aislamiento.

ADVERTENCIA:

El sistema de doble aislamiento está destinado para proteger al usuario contra las descargas eléctricas resultantes de la ruptura del cableado interno de la herramienta. Observe todas las precauciones de seguridad para evitar descargas eléctricas.

NOTA: El mantenimiento de una herramienta con doble aislamiento requiere sumo cuidado y conocimiento del sistema, y únicamente deben realizarlo técnicos de servicio calificados. Para el servicio de la herramienta, le sugerimos llevarla al centro de servicio autorizado más cercano para toda reparación. Siempre utilice piezas de repuesto de la fábrica original al dar servicio a la unidad.

CONEXIÓN ELÉCTRICA

Esta herramienta dispone de un motor eléctrico fabricado con precisión. Debe conectarse únicamente a **un suministro de corriente de 120 Volts, 60 Hertz, de corriente alterna solamente (corriente normal para uso doméstico)**. No utilice esta herramienta con corriente continua (c.c.). Una caída considerable de voltaje causa una pérdida de potencia y el recalentamiento del motor. Si la herramienta no funciona al conectarla en una toma de corriente, vuelva a verificar el suministro de voltaje.

CORDONES DE EXTENSIÓN

Al utilizar una herramienta eléctrica a una distancia considerable de la fuente de voltaje, asegúrese de utilizar un cordón de extensión con la suficiente capacidad para soportar la corriente de consumo de la herramienta. Un cordón de un calibre insuficiente causa una caída en el voltaje de línea, la cual a su vez produce recalentamiento y pérdida de potencia. Básese en la tabla suministrada para determinar el grueso mínimo requerido del cordón de extensión. Solamente deben utilizarse cordones con forro redondo registrados en Underwriter's Laboratories (UL).

Al trabajar a la intemperie con una herramienta, utilice un cordón de extensión fabricado para uso en el exterior. Este tipo de cordón lleva las letras "WA" o "W" en el forro.

Antes de utilizar un cordón de extensión, inspecciónelo para ver si tiene conductores flojos o expuestos y aislamiento cortado o gastado.

**Amperaje (aparece en la placa frontal)

Longitud del cordón	Calibre conductores (A.W.G.)					
	0-2,0	2,1-3,4	3,5-5,0	5,1-7,0	7,1-12,0	12,1-16,0
25'	16	16	16	16	14	14
50'	16	16	16	14	14	12
100'	16	16	14	12	10	—

**Se usa en los circuitos de calibre 12, 20 amperes.

NOTA: AWG = Calibre conductores norma americana

ADVERTENCIA:

Mantenga el cordón de extensión fuera del área de trabajo. Al trabajar con una herramienta eléctrica, coloque el cordón de tal manera que no pueda enredarse en la madera, herramientas ni en otras obstrucciones. La inobservancia de esta advertencia puede causar lesiones serias.

ADVERTENCIA:

Inspeccione los cordones de extensión cada vez antes de usarlos. Si están dañados reemplácelos de inmediato. Nunca utilice la herramienta con un cordón dañado, ya que si toca la parte dañada puede producirse una descarga eléctrica, y las consecuentes lesiones serias.

CARACTERÍSTICAS

ESPECIFICACIONES DEL PRODUCTO

Portafresas 6,4 mm (1/4 pulg.)
Velocidad en vacío De 20 000 a 30 000 r/min
Corriente de entrada 120 Volts, 5,5 A, 60 Hz

FAMILIARÍCESE CON SU FRESADORA

Veá la figura 1, página 14.

Para usar este producto con la debida seguridad se debe comprender la información indicada en la herramienta misma y en este manual, y se debe comprender también el trabajo que intenta realizar. Antes de usar este producto, familiarícese con todas las características de funcionamiento y normas de seguridad del mismo.

ESCALA DE PROFUNDIDAD DE CORTE

La Fresadora tiene una escala de profundidad situado en el lateral de conjunto del motor completo.

GUÍA PARA CANTOS

La guía para cantos mantiene la fresa a cierta distancia del canto de las piezas de trabajo rectas.

LUZ DE TRABAJO CON DIODO LUMINISCENTE

La luz de trabajo LED brinda mayor iluminación en pos de una visión más clara del área de corte.

AJUSTE DE CONTROL DE MICROPROFUNDIDAD CON FUNCIÓN DE RESTABLECIMIENTO A CERO

El ajuste de control de microprofundidad con función de restablecimiento a cero permite hacer cambios de profundidad de corte precisos.

MOTOR

La fresadora dispone de un potente motor de 5.5 amperes de imán permanente con suficiente potencia para manejar numerosos trabajos de recorte.

ARMADO

DESEMPAQUETADO

Este producto requiere armarse.

- Extraiga cuidadosamente de la caja la herramienta y los accesorios. Asegúrese de que estén presentes todos los artículos enumerados en la lista de empaquetado.

ADVERTENCIA:

No use este producto si no está totalmente ensamblado o si alguna pieza falta o está dañada. Si utiliza un producto que no se encuentra ensamblado de forma correcta y completa, puede sufrir lesiones graves.

- Inspeccione cuidadosamente la herramienta para asegurarse de que no haya sufrido ninguna rotura o daño durante el transporte.

Interruptor..... Glissière
Peso neto 1,7 kg (3,8 pulg.)

PASADOR DE LIBERACIÓN MOTOR

La fresadora tiene una palanca de desenganche motor que permite realizar ajustes de gran profundidad de corte en forma rápida y fácil.

ZONA DE SUJECIÓN SOBREMOLDEADA

Zona de sujeción sobremoldeada que permite l'amélioration de l'adhérence et de confort.

SEPARABLE BASE

La separable base que permite un acceso más fácil a tuerca del portaherramientas.

RONDA BASE

La ronda base hace que sea más fácil de girar cuando la herramienta de recorte con un guía para cantos.

COMMUNTATEUR À GLISSIÈRE

El communtateur à glissière es de arranque suave para prolongar la vida de servicio del motor y confiere al operador más control al arrancar la Fresadora.

BLOQUEO DEL HUSILLO

Una traba de husillo asegura el husillo de manera que sólo se necesita una llave para aflojar la tuerca del portaherramientas y cambiar las fresas.

SUBBASE CUADRADA

La subbase cuadrada facilita el trabajo con bordes rectos.

SELECTOR DE VELOCIDAD GIRATORIO

El selector de velocidad giratorio está situado en la parte delantero del alojamiento del motor y permite ajustar la velocidad de la fresa, de 20.000 a 30.000 rev./min.

- No deseche el material de empaquetado sin haber inspeccionado cuidadosamente la herramienta y haberla utilizado satisfactoriamente.
- Si hay piezas dañadas o faltantes, le suplicamos llamar al 1-866-539-1710, donde le brindaremos asistencia.

LISTA DE EMPAQUETADO

Fresadora con círculo base
Llave de tuerca
Guía para cantos
Barras guía (2)
Fresa de recortar a ras con cojinete
Bolsa de herramientas
Subbase cuadrada
Manual del Operador

ARMADO

ADVERTENCIA:

Si falta o está dañada alguna pieza, no utilice este producto sin haber reemplazado la pieza. Usar este producto con partes dañadas o faltantes puede causar lesiones serias al operador.

ADVERTENCIA:

No intente modificar esta herramienta ni hacer accesorios no recomendados para la misma. Cualquier alteración o modificación constituye maltrato el cual puede causar una condición peligrosa, y como consecuencia posibles lesiones corporales serias.

ADVERTENCIA:

No conecte la unidad al suministro de corriente antes de terminar de armarla. De lo contrario la unidad puede ponerse en marcha accidentalmente, con el consiguiente riesgo de lesiones corporales serias.

RETIRE LA BASE

Vea la figura 2, página 14.

- Desconecte las fresas.
- Coloque la palanca de palanca de afloje rápido en posición abierta.
- Sujete la base con una mano. Sujete zona de sujeción sobremoldeada con una mano.
- Oprima la pasador de liberación motor. Coloque la conjunto del motor completo lejos de la base hasta que se separan.

Conexión de la conjunto de alojamiento motor a la base:

- Oprima la pasador de liberación motor.
 - Alinee el conjunto del motor completo con la base y empuje el conjunto del motor completo en el base.
NOTA: Esto requiere algo de fuerza para superar el motor resorte de retención.
 - Aflojar la pasador de liberación motor y coloque la palanca de palanca de afloje rápido en posición cierre.
-

ADVERTENCIA:

Si se dispone a cambiar una fresa inmediatamente después de usarla, no toque la tuerca del portaherramientas, la fresa o el portaherramientas con los dedos ni con las manos, que que pueden estar calientes. Siempre use la llave suministrada para evitar sufrir quemaduras.

MONTAJE Y DESMONTAJE DE LAS FRESAS

Vea la figura 3, página 14.

- Desconecte las fresas.
- Coloque la palanca de palanca de afloje rápido en posición abierta.
- Oprima la pasador de liberación motor y mueva la base para obtener acceso a la tuerca del portaherramientas. No es necesario sacar la base.
- Oprima el botón de bloqueo del eje y gire el husillo hasta que se traben.
- Gire la llave en sentido contrario a las agujas del reloj para aflojar la tuerca del portaherramientas. El portaherramientas está maquinado con tolerancias precisas para admitir fresas con vástagos de 6,4 mm (1/4 pulg.) de diámetro.
- Si va a instalar la fresa por primera vez, puede hacerlo una vez que ha aflojado la tuerca del portaherramientas. Si va a cambiar la fresa, ésta sale fácilmente del portaherramientas tras aflojar la tuerca de éste.

NOTA: La punta de la fresa tiene una capa de cera protectora que debe quitarse antes de usar la fresa por primera vez. Simplemente desprenda la capa de cera y asegúrese de eliminar todo rastro de cera antes de utilizar la recortadora.

- Introduzca el vástago de la fresa en el portaherramientas hasta que toque el fondo y luego extráigalo aproximadamente 1,6 mm (1/16 pulg.). Esto permite la expansión cuando se calienta la fresa.
- Apriete firmemente la tuerca del portaherramientas, gírelo a la derecha, usando el extremo grande de la llave de tuercas.
- Oprima la pasador de liberación motor y coloque la base nuevamente en una posición operativa.
- Tire la palanca de palanca de afloje rápido en posición cerrado.

MONTAJE DE LA SUBBASE CUADRADA

Vea la figura 4, página 14.

- Desconecte las fresas.
 - Coloque la recortadora en posición invertida para extraer los cuatro tornillos de la subbase y la subbase redonda.
 - Fije la subbase cuadrada usando los mismos tornillos.
 - Apriete los tornillos firmemente, pero no demasiado.
-

ADVERTENCIA:

Para recortar laminados, siempre use la base. Usar la recortadora sin una base o usar una base incorrecta puede causar lesiones serias.

FUNCIONAMIENTO

ADVERTENCIA:

No permita que su familiarización con las herramientas lo vuelva descuidado. Tenga presente que un descuido de un instante es suficiente para causar una lesión grave.

ADVERTENCIA:

Póngase la protección ocular marcada conforme al ANSI Z87. Si no cumple esta advertencia, los objetos que salen despedidos pueden producirle lesiones serias en los ojos.

ADVERTENCIA:

No utilice ningún aditamento o accesorio no recomendado por el fabricante de esta herramienta. El empleo de aditamentos o accesorios no recomendados podría causar lesiones serias.

APLICACIONES

Esta herramienta puede emplearse para los fines enumerados abajo:

- Recorte liso profesional de laminados
- Ebanistería, recorte de cubiertas de muebles y trabajo de acabado
- Recorte de madera y plásticos

ENCENDIDO Y APAGADO DE LA FRESADORA

Vea la figura 5, página 14.

- Para **ENCENDER** la Fresadora, ponga el interruptor de la parte superior de la recortadora en la posición de **ENCENDIDO (I)**.

NOTA: La recortadora ofrece la característica de encendido suave. La recortadora comienza a una velocidad lenta y gradualmente aumenta hasta llegar a la velocidad puesta en el selector de velocidad giratorio.

- Al terminar regrese el interruptor a la posición de **APAGADO (O)**.

ADVERTENCIA:

La fresa continúa girando después de ponerse el interruptor en la posición de apagado **(O)**. Espere a que la hoja se detenga por completo antes de continuar. La inobservancia de esta advertencia puede causar lesiones serias.

AJUSTE DE LA VELOCIDAD

Vea la figura 6, página 14.

Para ajustar la velocidad de la Fresadora, gire el selector de velocidad giratorio situado en la parte delantero del alojamiento del motor. Para aumentar la velocidad, gire el

selector giratorio hacia la izquierdo. Los números más altos en el selector indican mayores velocidades. Para disminuir la velocidad, gire el selector giratorio hacia la derecha. La velocidad es ajustable de 20 000 a 30 000 rev./min.

UTILIZACIÓN DE LA FRESADORA

Vea la figura 7, página 15.

Antes de encender la recortadora, desconéctela y asegúrese de que la fresa esté firmemente apretada en el portaherramientas y de que esté debidamente ajustada la profundidad de corte. Nunca encienda la recortadora con la fresa tocando la pieza de trabajo.

Después de terminar un corte, aleje levemente la fresa de la superficie cortada. Apague la recortadora y espere a que se detenga completamente la fresa antes de retirar la base de la superficie de trabajo.

Al cortar, acomode la base de la recortadora en la superficie de trabajo y sostenga firmemente el cuerpo de la recortadora con la mano. Asegúrese de que la recortadora esté funcionando a toda velocidad antes de tocar la pieza de trabajo.

ADVERTENCIA:

Evite toda posición de la mano que pueda exponer los dedos a la fresa a través de las áreas abiertas de la base de la recortadora. Los dedos que entren en la abertura de la base de la recortadora pueden resultar cortados o quemados seriamente.

ADVERTENCIA:

Nunca instale ninguna fresa con un diámetro mayor de 28,6 mm (1-1/8 pulg.) en esta recortadora. Si se utilizan fresas más grandes puede producirse una pérdida de control y posibles lesiones serias.

ADVERTENCIA:

Nunca utilice con esta recortadora ninguna fresa de recortar que tenga una velocidad nominal inferior a 30.000 r/min. De lo contrario podrían producirse lesiones serias.

ADVERTENCIA:

Para recortar laminados, siempre use la base. Usar la recortadora sin una base o usar una base incorrecta puede causar lesiones serias.

DIRECCIÓN DE AVANCE Y EMPUJE

Vea las figuras 8 y 9, página 15.

El motor de la recortadora y la fresa giran hacia la derecha. Esto da a la herramienta una leve tendencia a girar hacia la izquierda en las manos, especialmente cuando el motor arranca.

FUNCIONAMIENTO

Avance la recortadora hacia la pieza de trabajo de izquierda a derecha. Cuando se avanza la recortadora de izquierda a derecha, el giro de la fresa tira de la recortadora hacia la pieza de trabajo. Si se avanza en la dirección opuesta, las fuerzas de rotación de la fresa girando tienden a empujar la recortadora alejándola de la pieza de trabajo, causando así un contragolpe. Esto podría causar la pérdida de control de la recortadora.

Debido a la velocidad de giro sumamente alta de la fresa al avanzar la unidad correctamente, existe muy poco contragolpe en condiciones normales. Sin embargo, si la fresa toca un nudo, fibras duras u objetos extraños que afecten el avance normal de la acción de corte, podría haber un leve contragolpe. El contragolpe es suficiente para afectar la rectitud del corte si no se está preparado. Tal contragolpe siempre ocurre en la dirección opuesta al sentido de giro de la fresa.

Para protegerse contra un contragolpe como tal, planifique los ajustes y la dirección de avance para que siempre esté empujando la herramienta —o mantenerla contra lo que esté utilizando como guía para el corte— en la misma dirección en que se mueve el borde de corte de la fresa. El empuje debe hacerse en una dirección tal que mantenga los bordes afilados de la fresa cortando de forma continua y recta en madera nueva (sin cortar).

VELOCIDAD DE AVANCE CORRECTA

Todo recorte y fresado de cantos profesional depende de una cuidadosa preparación y de seleccionar la velocidad de avance adecuada.

La velocidad correcta de avance depende de:

- la dureza y contenido de humedad de la pieza de trabajo
- la profundidad de corte
- el diámetro de corte de la fresa.

Al fresar ranuras de poca profundidad en maderas blandas como el pino, pueden usarse velocidades de avance más elevadas. Al efectuar cortes profundos en maderas duras como el roble, debe usarse una velocidad más lenta de avance.

Hay varios factores que le ayudarán a seleccionar la velocidad de avance correcta.

- Escoja una velocidad que no aminore la velocidad de giro del motor de la recortadora.
- Escoja una velocidad a la cual la fresa avance firme y seguramente para producir una espiral continua de virutas uniformes o un canto recortado liso en el laminado, según sea el caso.
- Escuche el sonido del motor de la recortadora. Un sonido agudo significa que está avanzando la unidad muy lentamente. Un sonido grave indica un avance forzado.
- Revise el avance logrado en cada corte. Un avance demasiado lento puede causar que la recortadora se desplace en una dirección errónea con respecto a la línea de corte original. Un avance forzado aumenta el esfuerzo de sostener la herramienta y produce una pérdida de velocidad.

- Observe las virutas generadas al cortar. Si se avanza la recortadora con demasiada lentitud se quema la madera. Si se avanza la recortadora con demasiada rapidez, corta virutas muy grandes de madera y deja marcas de gubia.

Siempre efectúe un corte de prueba en una pieza de desecho de madera igual a la de la pieza de trabajo antes de comenzar. Al utilizar la recortadora siempre sujétela y sosténgala firmemente con ambas manos.

Si va a fresar una ranura poco profunda de diámetro pequeño en madera suave seca, la velocidad de avance adecuada puede determinarse por la velocidad a la que puede desplazar la recortadora a lo largo de la línea guía. Si la fresa es grande, el corte es profundo o la pieza de trabajo es dura de cortar, la velocidad de avance posiblemente deba ser lenta. Un corte a contrahilo puede requerir un paso más lento que un corte idéntico al hilo en la misma pieza de trabajo.

No hay reglas fijas. A base de práctica y uso se aprende la velocidad de avance adecuada.

AVANCE FORZADO

Vea la figura 10, página 15.

La fresadora es una herramienta de velocidad sumamente alta (de 20 000 a 30 000 r/min), y efectúa cortes limpios y uniformes si se le permite funcionar libremente sin la sobrecarga de un avance forzado. Tres factores que causan un “avance forzado” son el tamaño de la fresa, la profundidad de corte y las características de la pieza de trabajo. Cuanto más grande es la fresa o más profundo el corte, mayor será la lentitud de avance de la recortadora. Si la madera es muy dura, nudosa, gomosa o húmeda, debe bajarse la velocidad de la operación aún más.

Un recorte de laminados y un fresado cantos limpio y uniforme únicamente se logra cuando la fresa gira a velocidades relativamente altas y corta trozos muy pequeños para producir partículas minúsculas y bien cortadas. Si se fuerza la recortadora a un avance demasiado rápido, la velocidad de giro de la fresa será menor que la normal en relación con su movimiento de avance. Como resultado, la fresa debe cortar trozos más grandes al girar. trozos más grandes significan virutas más grandes y un acabado más áspero. Debido a que los corte más grandes requieren más potencia, el motor podría sobrecargarse.

En condiciones de avance sumamente forzado, la velocidad relativa de la fresa puede reducirse tanto —y los trozos que tiene que cortar son tan grandes— que las virutas se arrancan parcialmente en vez de cortarse completamente. esto causa astilladuras y marcas de gubia en la pieza de trabajo.

AVANCE DEMASIADO LENTO

Vea la figura 10, página 15.

Al avanzar la recortadora muy lentamente hacia la pieza de trabajo, al girar la fresa no penetrará en la madera con la rapidez suficiente para cortar apropiadamente; en vez de ello, raspa partículas de aserrín. El raspado produce calor, lo cual puede cristalizar, quemar o estropear el corte y puede calentar excesivamente la fresa. Las fresas desafiladas también pueden contribuir a las raspaduras y quemaduras.

FUNCIONAMIENTO

Cuando la fresa está raspando en vez de cortar, se dificulta más controlar la recortadora. Cuando el motor está prácticamente sin carga alguna, la fresa gira casi a la velocidad máxima, y tiene una tendencia, mucho mayor que la normal, para rebotar de los lados del corte, especialmente si la madera tiene fibras pronunciadas con áreas duras y blandas. El corte producido puede tener lados ondulados en vez de ser rectos.

PROFUNDIDAD DEL CORTE

Vea la figura 11, página 15.

La profundidad de corte afecta la velocidad de avance y la calidad del corte. Usando la profundidad de corte adecuada puede aminorarse la posibilidad de dañar el motor de la recortadora y la fresa.

Un corte más profundo requiere una velocidad de corte más lenta que un corte menos profundo. No se recomienda efectuar un corte tan profundo que disminuya la velocidad de avance de manera que la fresa esté raspando en lugar de cortar.

Un corte demasiado profundo puede causar la rotura de las fresas pequeñas. Las fresas que tienen 1/16" (1,6 mm) de diámetro se rompen fácilmente cuando se someten a un empuje lateral muy fuerte. Una fresa grande quizá no se rompa, pero si se intenta un corte demasiado profundo, puede resultar un corte áspero, y podría ser muy difícil guiar y controlar la fresa como se desee.

Se recomienda no exceder profundidades de corte mayores de 3,2 mm (1/8 pulg.) por pasada, independientemente del tamaño de la fresa o de la suavidad o estado de la pieza de trabajo. Así se produce un corte de mayor calidad.

Para efectuar cortes más profundos, es necesario efectuar tantas pasadas sucesivas cuantas se requieran, bajando la fresa 3,2 mm (1/8 pulg.) en cada nueva pasada. Con el fin de ahorrar tiempo, realice todos los cortes necesarios a la misma profundidad, y después baje la fresa para la pasada siguiente. Así se asegura también una profundidad uniforme al terminar la pasada final.

ADVERTENCIA:

Si la profundidad de corte deseada es mayor de la que puede cortarse en una sola pasada, efectúe los cortes en dos o más pasadas. No corte más de 3,2 mm (1/8 pulg.) en una sola pasada. Una profundidad de corte excesiva puede producir una pérdida de control y posibles lesiones serias.

AJUSTE DE LA PROFUNDIDAD DE CORTE

Vea la figura 12, página 15.

- Desconecte la fresadora.
- Tire del pasador del palanca de afloje rápido hacia la posición abierta.
- Oprima y sujete pasador de liberación motor.

- Deslice hacia arriba la sección del alojamiento del motor de la recortadora hasta que la punta de la fresa alcance la superficie de trabajo. En este punto la profundidad de corte es cero. Aflojar pasador de liberación motor.

NOTA: Las configuraciones de corte de gran profundidad se pueden realizar utilizando la pasador de liberación motor.

- Using the microdepth adjustment knob, ajuste la posición de la recortadora para obtener la profundidad de corte deseada; para ello, suba o baje la sección del alojamiento del motor. Para mover el alojamiento del motor hacia abajo, gire la perilla de ajuste de microprofundidad hacia la flecha "DOWN" (abajo) situada en un lado de la perilla..

NOTA: Para configurar la profundidad de corte en cero, sujete la fresadora recortadora en su lugar y gire la perilla de ajuste de microprofundidad hasta que se ubique en "0".

- La profundidad de corte de la fresa puede leerse en la escala de profundidad de corte en el alojamiento del motor. Cada marca de la escala indica 1/16" (1,6 mm) de cambio en el ajuste de la profundidad. Básese en el borde superior de la base de metal fundido (el indicador de profundidad de corte) como referencia al fijar la profundidad de corte.
- Lorsque la profondeur de coupe est atteint. Pousser le palanca de afloje rápido hacia la posición cerrar.

ADVERTENCIA:

Evite el área abierta de la base de la recortadora. Pueden resultar lesiones serias si se toca la fresa en movimiento.

UTILIZACIÓN DE LA GUÍA PARA CANTOS

Vea la figuras 13 y 14, página 16.

La guía para cantos sirve para recortar o cortar cantos rectos o borde curvo.

- Desconecte la Fresadora.
- Enrosque las barras guía en la base y apriételas con un destornillador de punta plana.
- Monte la guía para cantos en las barras guía.
- Instale dos tornillos en la guía para cantos.
- Mida la distancia adecuada para compensar la fresa, o, si está recortando, coloque la fresa en el canto de la pieza de trabajo.
- Apriete los dos tornillos de apriete manual con el fin de asegurar la guía para cantos.
- Desplace la recortadora a lo largo de la pieza de trabajo manteniendo la guía para cantos constantemente en contacto con el canto de dicha pieza.

MANTENIMIENTO

ADVERTENCIA:

Para el servicio de la unidad sólo utilice piezas de repuesto idénticas. El empleo de piezas diferentes puede causar un peligro o dañar el producto.

ADVERTENCIA:

Nunca utilice con esta recortadora ninguna fresa de recortar que tenga una velocidad nominal inferior a 30.000 rev/min. De lo contrario podrían producirse lesiones serias.

MANTENIMIENTO GENERAL

Evite el empleo de solventes al limpiar piezas de plástico. La mayoría de los plásticos son susceptibles a diferentes tipos de solventes comerciales y pueden resultar dañados. Utilice paños limpios para eliminar la suciedad, el polvo, el aceite, la grasa, etc.

ADVERTENCIA:

No permita en ningún momento que fluidos para frenos, gasolina, productos a base de petróleo, aceites penetrantes, etc., lleguen a tocar las piezas de plástico. Las sustancias químicas pueden dañar, debilitar o destruir el plástico, lo cual a su vez puede producir lesiones corporales serias.

Las herramientas eléctricas que se utilizan en materiales de fibra de vidrio, paneles de yeso para paredes, compuestos de resanar o yeso, están sujetas a desgaste acelerado y posible fallo prematuro porque las partículas y limaduras de fibra de vidrio son altamente abrasivas para los cojinetes, escobillas, conmutadores, etc. Por consiguiente, no recomendamos el uso de esta herramienta durante períodos prolongados de trabajo en estos tipos de materiales. Sin embargo, si usted trabaja con cualquiera de estos materiales, es sumamente importante limpiar la herramienta con aire comprimido.

LUBRICACIÓN

Todos los cojinetes de esta herramienta están lubricados con suficiente cantidad de aceite de alta calidad para toda la vida útil de la unidad en condiciones normales de funcionamiento. Por lo tanto, no se necesita lubricación adicional.

REEMPLAZO DE LAS ESCOBILLAS

Vea la figura 15, página 16.

- Desconecte la Fresadora.
- Retire la fresa, si es que hay una instalada.
- Con un destornillador de punta plana retire la tapa de la escobilla y de arandela.
- Retire el conjunto de la escobilla.
- Inspeccione los conjuntos para ver si hay desgaste. Si hay desgaste, siempre reemplace los conjuntos en parejas. No reemplace un solo lado sin reemplazar el otro.
- Coloque el nuevo conjunto de escobilla.
- Asegúrese de que las muescas de la tapa del resorte queden alineadas de tal manera que quede asentada a ras.
- Coloque la arandela y la tapa de la escobilla y apriétela con un destornillador. No efectúe un apriete excesivo.
- Repita el procedimiento en el otro lado.
- Ahora ya está lista para utilizarse la recortadora de laminados.

GARANTÍA

HERRAMIENTAS ELÉCTRICAS DE MANO Y ESTACIONARIAS RIDGID® – GARANTÍA DE SERVICIO LIMITADA DE TRES AÑOS

Debe presentarse prueba de la compra al solicitar servicio al amparo de la garantía.

Se limita a las herramientas de mano y estacionarias RIDGID® adquiridas a partir de 1/Feb./04. Este producto está manufacturado por One World Technologies, Inc., La licencia de uso de la marca comercial es otorgada por RIDGID, Inc. Toda comunicación en relación con la garantía debe dirigirse a One World Technologies, Inc., a la atención de: Servicio Técnico de Herramientas Eléctricas de Mano y Estacionarias RIDGID, al (línea gratuita) 1-866-539-1710.

POLÍTICA DE GARANTÍA DE SATISFACCIÓN DE 90 DÍAS

Durante los primeros 90 días a partir de la fecha de compra, si no está satisfecho con el desempeño de esta herramienta de mano o estacionaria RIDGID® por cualquier razón, puede devolverla al establecimiento donde la adquirió, donde se le proporcionará un reembolso total o un intercambio. Para recibir una herramienta de reemplazo, debe presentar documentación de prueba de la compra, y devolver el equipo original empaquetado con el producto original. La herramienta de reemplazo queda cubierta por la garantía limitada por el resto del período de garantía de servicio de 3 AÑOS.

LO QUE ESTÁ CUBIERTO POR LA GARANTÍA DE SERVICIO LIMITADA DE 3 AÑOS

Esta garantía de las herramientas de mano y estacionarias RIDGID® cubre todos los defectos en materiales y mano de obra, así como piezas desgastables como escobillas, portabrocas, motores, interruptores, cordones eléctricos, engranajes e incluso las pilas inalámbricas de esta herramienta RIDGID® por tres años a partir de la fecha de compra de la herramienta. Las garantías de otros productos RIDGID® pueden ser diferentes.

FORMA DE OBTENER SERVICIO

Para obtener servicio para esta herramienta RIDGID®, debe devolverla, ya sea con el flete pagado por anticipado, o llevarla a un centro de servicio autorizado para herramientas eléctricas de mano y estacionarias de la marca RIDGID®. Para obtener información sobre el centro de servicio autorizado más cercano a usted, le suplicamos llamar al (línea gratuita) 1-866-539-1710 o visitar el sitio electrónico de RIDGID® en la red mundial, www.ridgid.com. Al solicitar servicio al amparo de la garantía, debe presentar el recibo fechado de venta. El centro de servicio autorizado reparará toda mano de obra deficiente del producto, y reparará o reemplazará cualquier pieza cubierta en la garantía, a nuestra sola discreción, sin ningún cargo al consumidor.

LO QUE NO ESTÁ CUBIERTO

Esta garantía se ofrece exclusivamente al comprador original al menudeo y no puede transferirse. Esta garantía sólo cubre defectos que surjan en el uso normal de la herramienta y no cubre ningún malfuncionamiento, falla o defecto producido por el uso indebido, maltrato, negligencia, alteración, modificación o reparación efectuada por terceros diferentes de los centros de servicio autorizados para herramientas eléctricas de mano y estacionarias de la marca RIDGID®. No están cubiertos los accesorios suministrados con la herramienta, como las hojas, brocas, papel de lija, etc.

RIDGID, INC. Y ONE WORLD TECHNOLOGIES, INC. NO OFRECEN NINGUNA GARANTÍA, DECLARACIÓN O PROMESA EN RELACIÓN CON LA CALIDAD O EL DESEMPEÑO DE SUS HERRAMIENTAS ELÉCTRICAS MÁS QUE LAS SEÑALADAS ESPECÍFICAMENTE EN ESTA GARANTÍA.

LIMITACIONES ADICIONALES

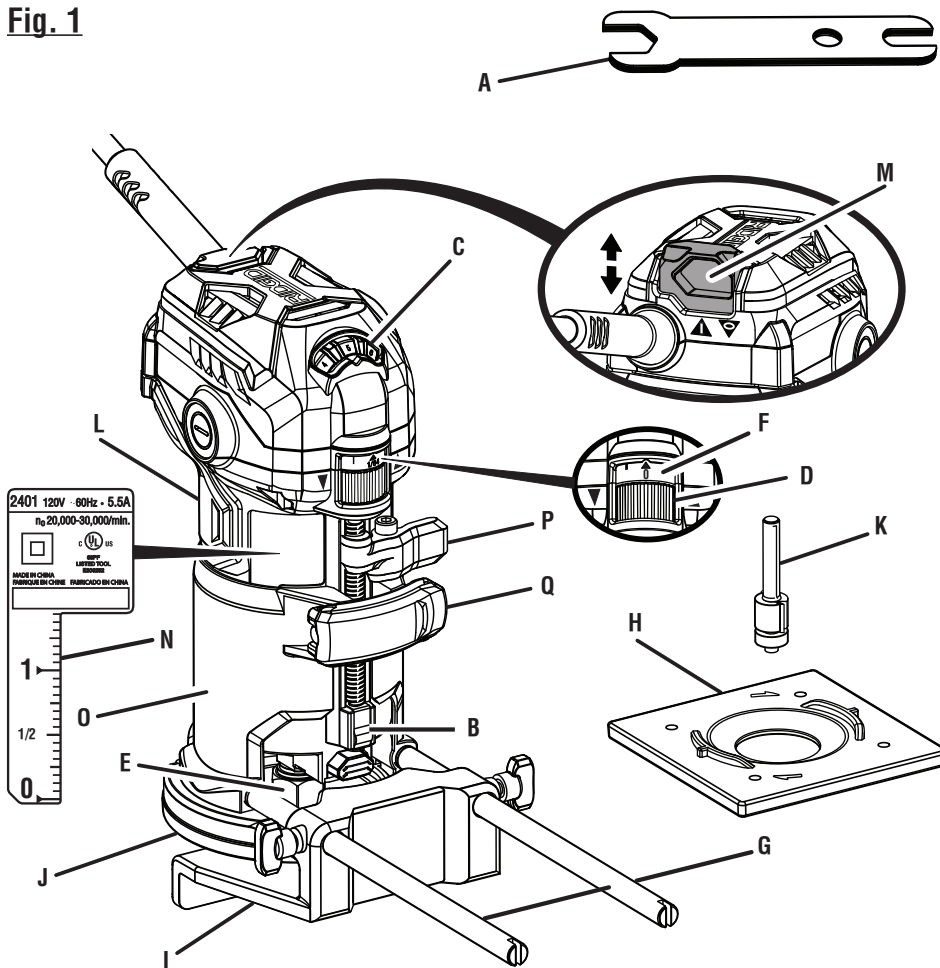
Hasta donde lo permiten las leyes relevantes, se desconoce toda garantía implícita, incluidas las GARANTÍAS DE COMERCIALIZACIÓN o IDONEIDAD PARA UN USO EN PARTICULAR. Toda garantía implícita, incluidas las garantías de comerciabilidad o idoneidad para un uso en particular, que no pueda desconocerse según las leyes estatales, está limitada a tres años a partir de la fecha de compra. One World Technologies, Inc. y RIDGID, Inc. no son responsables de daños directos, indirectos, incidentales o consecuentes. Algunos estados no permiten limitaciones en cuanto al período de vigencia de una garantía implícita y/o no permiten exclusiones o limitaciones de daños incidentales o consecuentes, por lo tanto es posible que esta limitación no se aplique en el caso de usted. Esta garantía le confiere derechos legales específicos, y es posible que usted goce de otros derechos, los cuales pueden variar de estado a estado.

One World Technologies, Inc.

P.O. Box 35, Hwy. 8

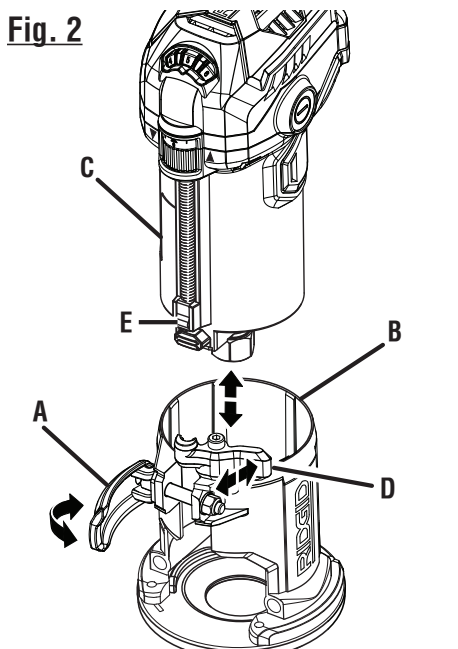
Pickens, SC 29671, USA

Fig. 1



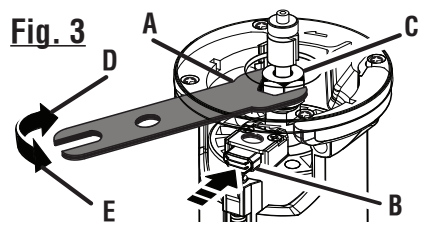
- A - Wrench (clé, llave de tuerca)
- B - Motor retention spring (moteur ressort de retenue, motor resorte de retención)
- C - Variable speed dial (commande de vitesse variable, selector giratorio de velocidad)
- D - Micro depth adjustment knob (microréglage de la profondeur, ajuste de control de microprofundidad)
- E - Collet nut (écrou de collet, tuerca del portaherramientas)
- F - Zero reset (fonction de remise à zéro, función de restablecimiento a cero)
- G - Guide bars (barres guides, barras guía)
- H - Square subbase (équerre base, escuadra base)
- I - Edge guide (guide de chant, guía para cantos)
- J - Round subbase (rond base, círculo base)
- K - Bearing flush cutter (fer à rogner à roulement à billes noyé, fresa de recortar a ras con cojinete)
- L - Motor housing (boîtier du moteur, alojamiento del motor)
- M - Slide switch (commutateur à glisser, interruptor de deslice)
- N - Depth scale (échelle de profondeur de coupe, escala de profundidad de corte)
- O - Removable base (détachable base, separable base)
- P - Motor release lever (levier de dégagement moteur, palanca de afloje motor)
- Q - Quick release lever (levier de dégagement rapide, palanca de afloje rápido)

Fig. 2



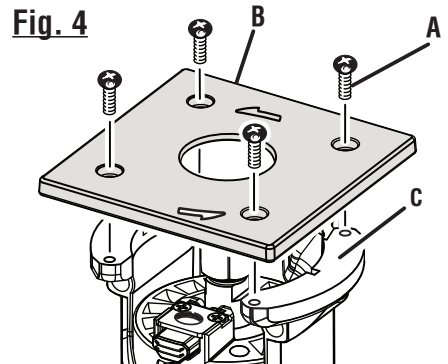
- A - Quick release lever (levier de dégagement rapide, palanca de afloje rápido)
- B - Removable base (détachable base, separable base)
- C - Motor housing (boîtier du moteur, alojamiento del motor)
- D - Motor release lever (levier de dégagement moteur, palanca de afloje motor)
- E - Motor retention spring (moteur ressort de retenue, motor resorte de retención)

Fig. 3



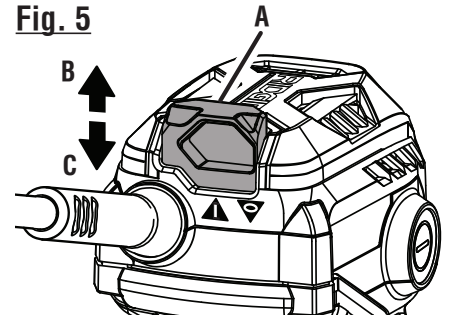
- A - Wrench (clé, llave de tuercas)
- B - Spindle lock (blocage de la broche, bloqueo del husillo)
- C - Collet nut (écrou de collet, tuerca del portaherramientas)
- D - Tighten (verrouiller, asegurar)
- E - Loosen (desserrer, aflojar)

Fig. 4



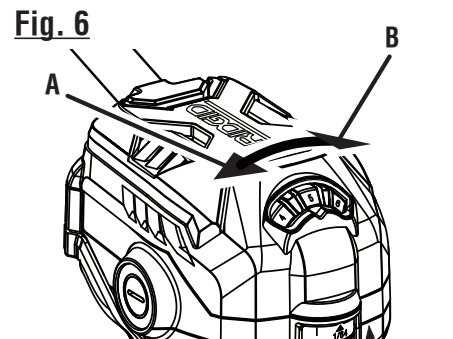
- A - Screws (vis, tornillo)
- B - Square subbase (équerre base, escuadra base)
- C - Removable base (détachable base, separable base)

Fig. 5



- A - Slide switch (commutateur à glisser, interruptor de deslice)
- B - ON (marche, encendido)
- C - OFF (arrêt, apagado)

Fig. 6



- A - Increase speed (augmentation de la vitesse, aumentar velocidad)
- B - Decrease speed (réduction de la vitesse, disminuir velocidad)

Fig.7

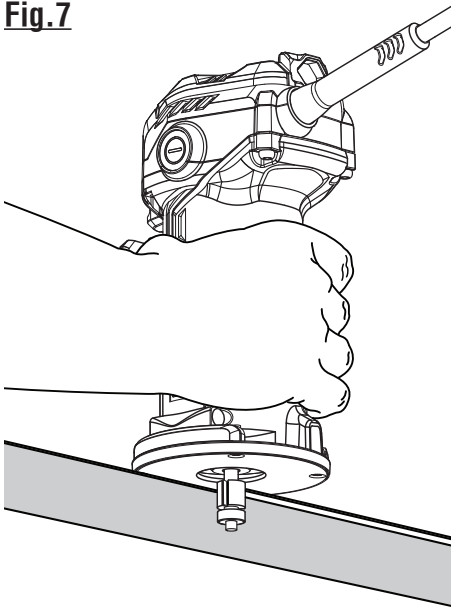
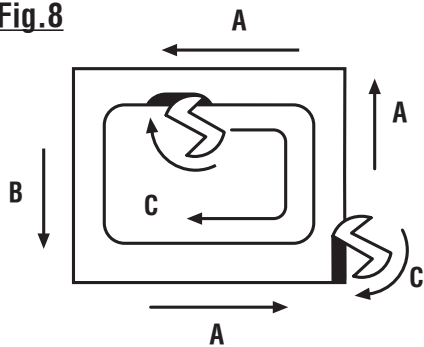


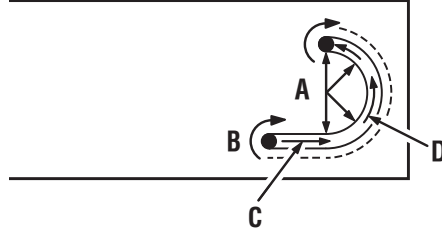
Fig.8



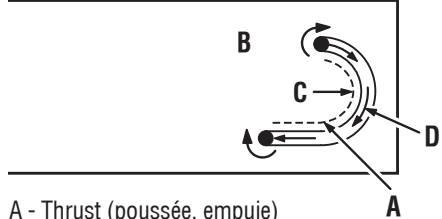
- A - Trimmer feed direction (direction d'engagement, dirección de avance de la recortadora)
- B - Trim end grains first (rogner d'abord le grain en bout, recorte primero los extremos de la fibra)
- C - Bit rotation (rotation du fer, giro de la fresa)

Fig.9

GUIDE OUTSIDE / GUIDE À L'EXTÉRIEUR / GUÍA AFUERA

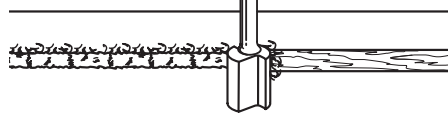


GUIDE INSIDE / GUIDE À L'INTÉRIEUR / GUÍA ADENTRO



- A - Thrust (poussée, empuje)
- B - Rotation (rotation, giro)
- C - Guide (guide, guía)
- D - Feed (avancement, avance)

Fig. 10



TOO SLOW / TROP LENTE / DEMASIADO LENTO

TOO FAST / TROP RAPIDE / DEMASIADO RÁPIDO

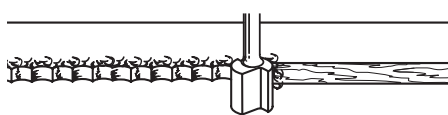
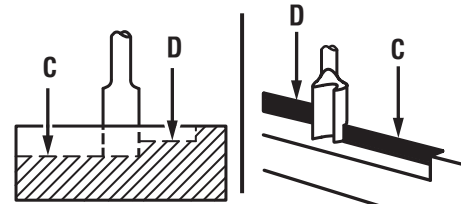
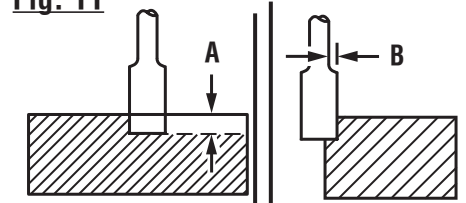
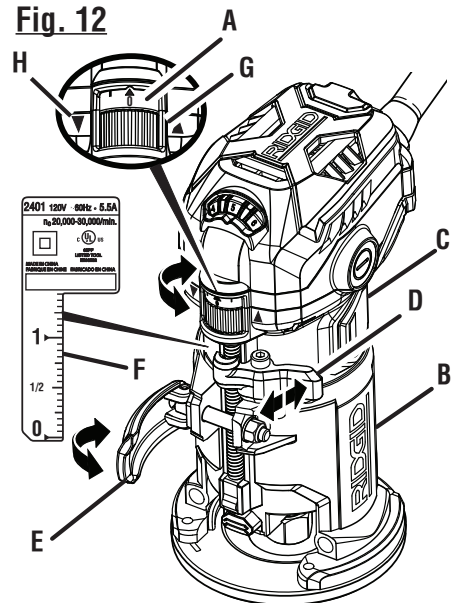


Fig. 11



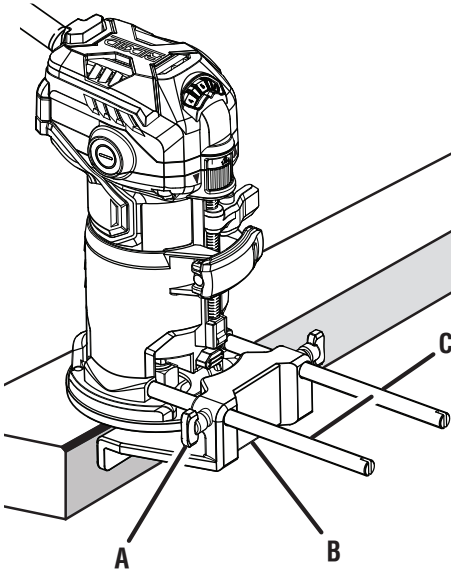
- A - Depth of cut (profondeur de coupe, profundidad del corte)
- B - Width of cut (largeur de coupe, anchura del corte)
- C - 2nd. pass (2ème passe, 2da. pasada)
- D - 1st. pass (1ère passe, 1ra. pasada)

Fig. 12



- A - Zero reset (fonction de remise à zéro, función de restablecimiento a cero)
- B - Removable base (détachable base, separable base)
- C - Motor housing (boîtier du moteur, alojamiento del motor)
- D - Motor release lever (levier de dégagement moteur, palanca de afloje motor)
- E - Quick release lever (levier de dégagement rapide, palanca de afloje rápido)
- F - Depth scale (échelle de profondeur de coupe, escala de profundidad de corte)
- G - Micro depth adjustment knob (microréglage de la profondeur, ajuste de control de microprofundidad)
- H - Down arrow (pointant vers le bas, hacia abajo)

Fig. 13



- A - Thumb screws (vis papillon, tornillos de apriete manual)
- B - Edge guide (guide de chant, guía para cantos)
- C - Guide bars (barres guides, barras guía)

Fig. 14

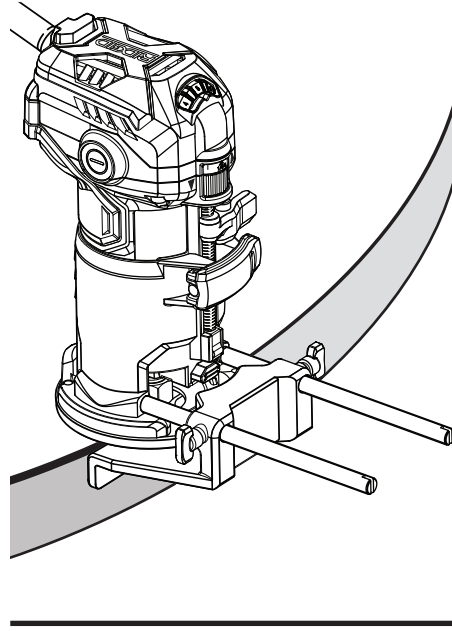
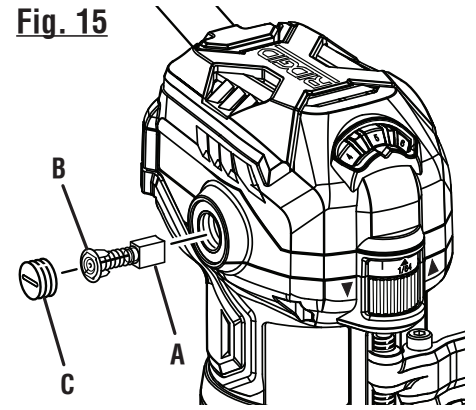


Fig. 15



- A - Brush (balai, escobilla)
- B - Brush assembly (ensemble de balai, conjunto de la escobilla)
- C - Brush cap (couvrecl de balai, tapa de la escobilla)

