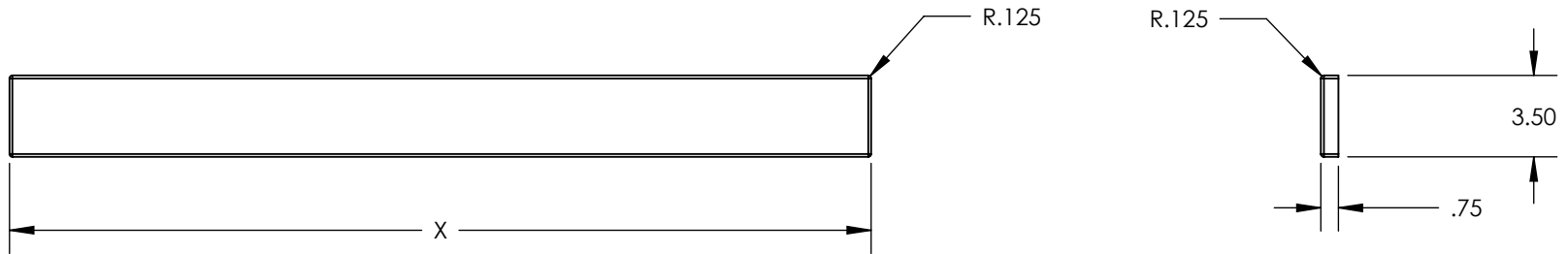
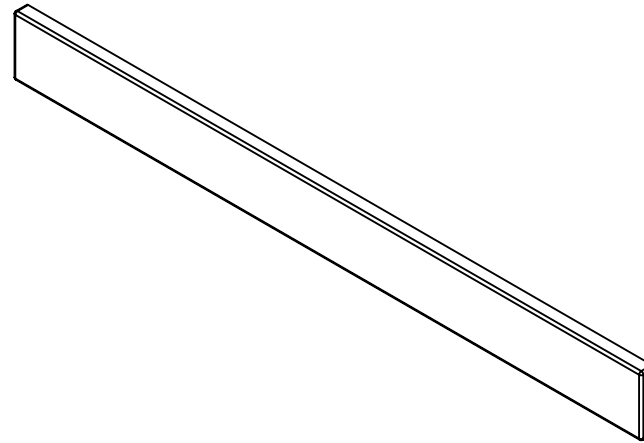


	X
Backsplash 25	25
Backsplash 31	31
Backsplash 37	37
Backsplash 49	49
Backsplash 61	61
Side Splash	20.375



PROPRIETARY AND CONFIDENTIAL
 THE INFORMATION CONTAINED IN THIS DRAWING IS THE SOLE PROPERTY OF WOODCRAFTERS HOME PRODUCTS L.L.C. ANY REPRODUCTION IN PART OR AS A WHOLE WITHOUT THE WRITTEN PERMISSION OF WOODCRAFTERS HOME PRODUCTS L.L.C. IS PROHIBITED.

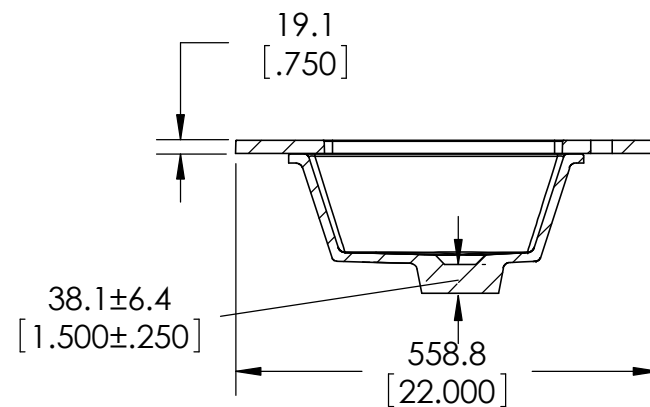
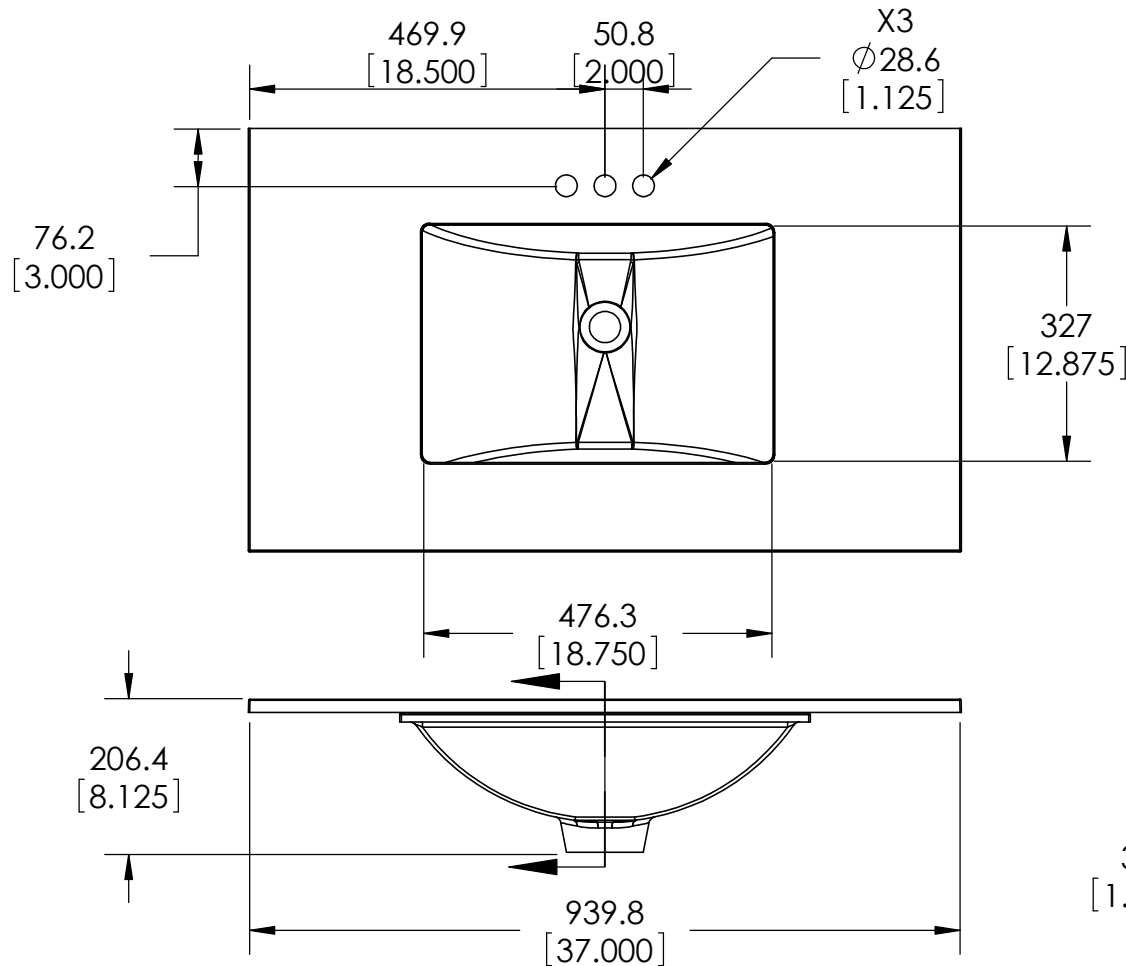
UNLESS OTHERWISE SPECIFIED
 DIMENSIONS ARE IN INCHES
 TOLERANCES:
 -0 +.125

DRAWN BY:	E. Sandoval	3/26/2012
CHECKED BY:		
APPROVED BY:		
DO NOT SCALE DRAWING	SCALE: 1:8	SIZE: A

TITLE:	HD Dot Com Backsplash/Side Splash Colorpoint-Stone Effects
PART NO:	
PAGE	1 OF 1
REV:	0

DRAWING TYPE	ITEM ID	ITEM DESCRIPTION	DRAWING STATUS
FINISH GOOD	SERST37COM-CO	SE / COLD FUSION	READY FOR PRODUCTION
FINISH GOOD	SERST37COM-RU	SE / RUSTIC GOLD	READY FOR PRODUCTION
FINISH GOOD	SERST37-WM	SE / WINTER MIST	READY FOR PRODUCTION
FINISH GOOD	SERST37COM-AV	SE / AVALON	READY FOR PRODUCTION
FINISH GOOD	SERST37COM-DN	SE / DUNE	READY FOR PRODUCTION
FINISH GOOD	SERST37COM-MI	SE / MAYAN IVORY	READY FOR PRODUCTION
FINISH GOOD	SSRST37COM-GI	SE / GINGER	READY FOR PRODUCTION
FINISH GOOD	CPRST37COM-MA	CP / MAUI	READY FOR PRODUCTION

REVISION #	DATE	CHANGE	APPROVAL
0	4/29/14	NEW DRAWING	R. CAZAREZ
1	6/25/14	NEW ITEMS ID'S	R. CAZAREZ
2	7/1/14	UPDATED DIM.	R. CAZAREZ
3	9/04/14	RELEASED	R. CAZAREZ
4			



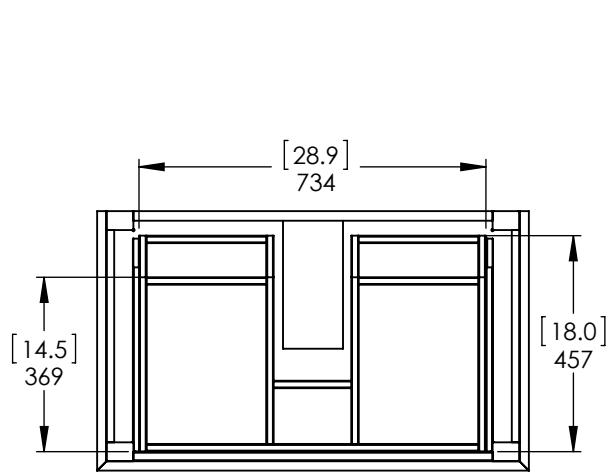
NOTE: MAX. WARPAGE TOLERANCE 1/8"

PROPRIETARY AND CONFIDENTIAL
 THE INFORMATION CONTAINED IN THIS DRAWING IS THE SOLE PROPERTY OF WOODCRAFTERS. ANY REPRODUCTION IN PART OR AS A WHOLE WITHOUT THE WRITTEN PERMISSION OF WOODCRAFTERS IS PROHIBITED.

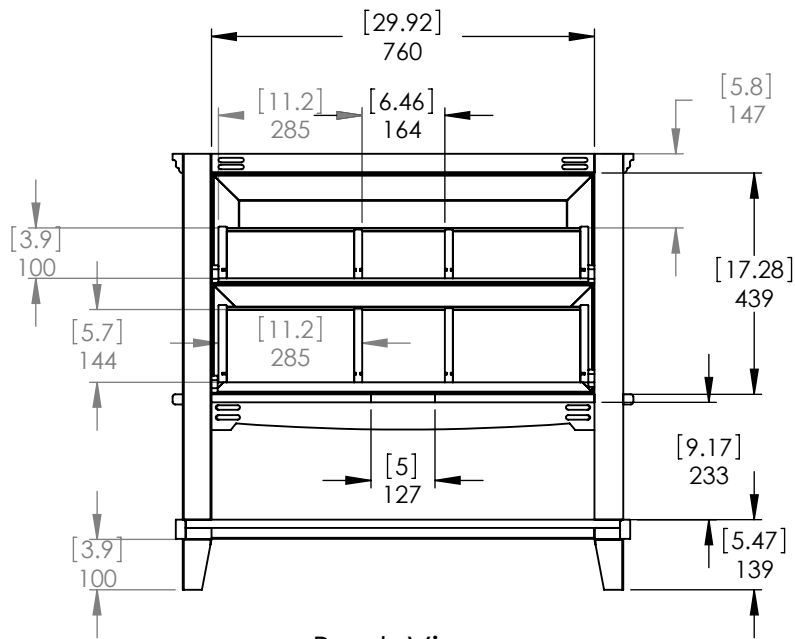
UNLESS OTHERWISE SPECIFIED
 DIMENSIONS ARE IN MM. AND (INCHES)
 TOLERANCES ARE
 + 3.175 [.125] - 3.175 [0.125]
 SCALE:1:10

	NAME	DATE
DRAWN	R. CAZAREZ	APR/29/2014
CHECKED	E. SANDOVAL	SEP/04/2014
ENG APPR.	V. SANCHEZ	SEP/04/2014
MFG APPR.	C. LEAL	SEP/04/2014

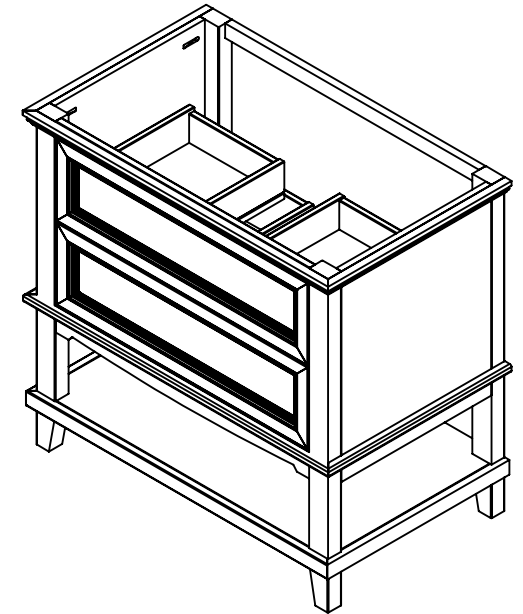

 SIZE DWG. NO. **A** VTOP - SE 37 X 22 - SQUARE PROFILE - LARGE REC UM - 4IN
 SHEET 1 OF 1



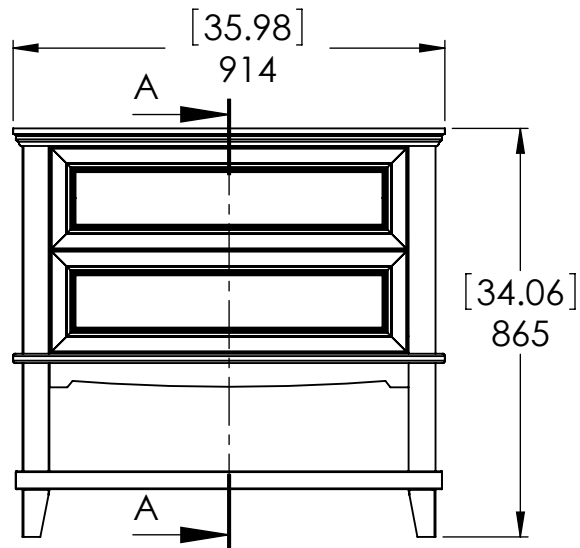
Top View



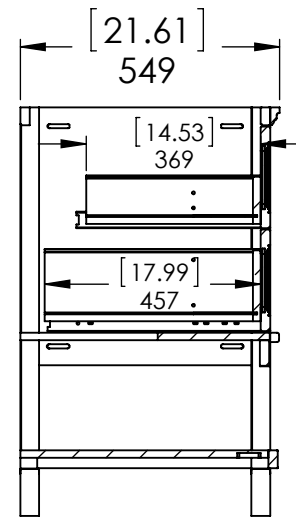
Back View



Isometric view



Front View



SECTION A-A
ESCALA 1 : 16



ITEM:	-	REV	A
NOMBRE:	Vanity Teasian 36"		
MATERIAL:	N/A		
DIBUJO	AEP	13/04/17	MATERIAL: N/A
REVISO	R&D	13/04/17	
APROBO	ING	13/04/17	
ESCALA:	1:20	MODELO:	Vanity Teasian 36in

TOLERANCIAS	Rev. C	T.Lanzado
Desbaste de Pulido	- 1mm	Distancia de T.Lanzado
Tableros cortadas en Holzma	+/- 0.25mm	
Perforaciones en Tableros	+/- 0.1mm	16mm
Molduradora	+/- 0.1mm	Aglo/Aglo
Cortes en largos de Madera (Molduras)	+/- 0.5mm	14mm
Deformaciones en Madera	1mm x mts lineal	Mad/Mad

Propiedad y Confidencialidad
La información contenida en este dibujo es puramente propiedad de Woodcrafters Home Products LLC. Queda prohibida cualquier reproducción parcial o total sin el permiso por escrito de Woodcrafters Home Product LLC.