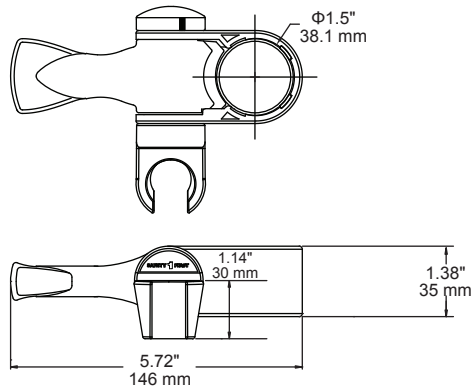
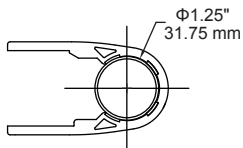


TECHNICAL DATA

Grab Bar Accessories

WALL BAR MOUNT - S1F547



MATERIALS:

POM and ABS plastics with a thermoplastic rubber over mold. Fittings provided to accommodate both 1-1/4" and 1-1/2" diameter grab bars. Can be installed after grab bars are in place.

SPECIFICATION:

Surface mounted wall bar mount shall be model _____
(fill in model number) by Liberty Hardware Manufacturing Corporation.