



Framed Pivoting Shower Door Kit

INSTALLATION GUIDE

Consult your local plumbing codes prior to installation.

For easy installation of your unit you will need to:

- READ ALL the instructions completely before beginning.
- READ ALL warnings, care, and maintenance information.
- Purchase the correct water supply components.

Distributed by:

Liberty Hardware Manufacturing Corporation

140 Business Park Drive

Winston-Salem, NC 27107

©2016 LHMC, A Masco Company

Made in China

For More Information Call: 1.800.964.4850

BEFORE YOU START

- ⚠ CAUTION:** Risk of injury. **DO NOT** attempt to cut tempered glass.
- ⚠ CAUTION:** Use work gloves to protect against sharp edges and corners.
- ⚠ CAUTION:** **DO NOT** set the glass panel on concrete or other hard surface.
- ⚠ CAUTION:** **Open toe shoes like sandals or flip flops should not be worn when installing tub or shower doors.**

NOTE:

- Shower opening dimensions: Due to variability of enclosures and wall construction, exact width dimensions may vary.
 - **32" Pivot door:** 30-1/8" minimum to 32-1/8" maximum.
 - **34" Pivot door:** 32-1/8" minimum to 34-1/8" maximum.
- Walls must be within 3/8" (10 mm) of plumb.
- Cover tub or shower drain with rag or tape to avoid loss of small parts.
- Follow the silicone sealant manufacturer's instructions for application and curing time.

CARE AND CLEANING

For regular cleaning use **ONLY** mild detergents or warm, soapy water. Use **ONLY** non-abrasive cloth or sponge. **ALWAYS** rinse surfaces after cleaning.

Before cleaning this product with cleaning products, test a small, inconspicuous area.

CAUTION: Manufacturer does not recommend the use of cleaning products that contain any of the following chemicals. Use of products containing these chemicals can cause the products to crack or discolor and will void the warranty.

- Naphtha
- Hydrogen Peroxide Solution (common household peroxide)
- Toluene
- Ethyl Acetate
- Lye (common in drain cleaner)
- Acetone

For further inquiries, contact customer service at 1-800-964-4850.

THREE YEAR LIMITED WARRANTY

Liberty Hardware plumbing products are warranted to be free of defects in material and workmanship for three years from date of purchase. Liberty Hardware will, at its election, repair, replace or make appropriate adjustment where Liberty Hardware determines that such defect occurred during normal usage within three (3) years after purchase. Liberty Hardware is not responsible for removal, installation costs, or incidental or consequential losses. Labor charges and/or damage incurred in installation, repair, or replacement of the product, as well as any other kind of loss or damage, are excluded. This warranty is not transferable. This warranty does not cover damage or defects relating to misuse, abuse, negligence, normal wear and tear, accident, acts of God, repairs or alterations not authorized by Liberty Hardware, or improper installation, storage or handling.

To obtain warranty service, contact Liberty Hardware either through your Dealer, Plumbing Contractor, Home Center, or by writing Liberty Hardware Attn.: Customer Solutions, 140 Business Park Drive, Winston-Salem, NC 27107, USA, or by calling 1-800-964-4850 from within the USA. Proof of purchase (original sales receipt) from the original consumer purchaser must be made available to Liberty Hardware for all warranty claims.

DISCLAIMER:

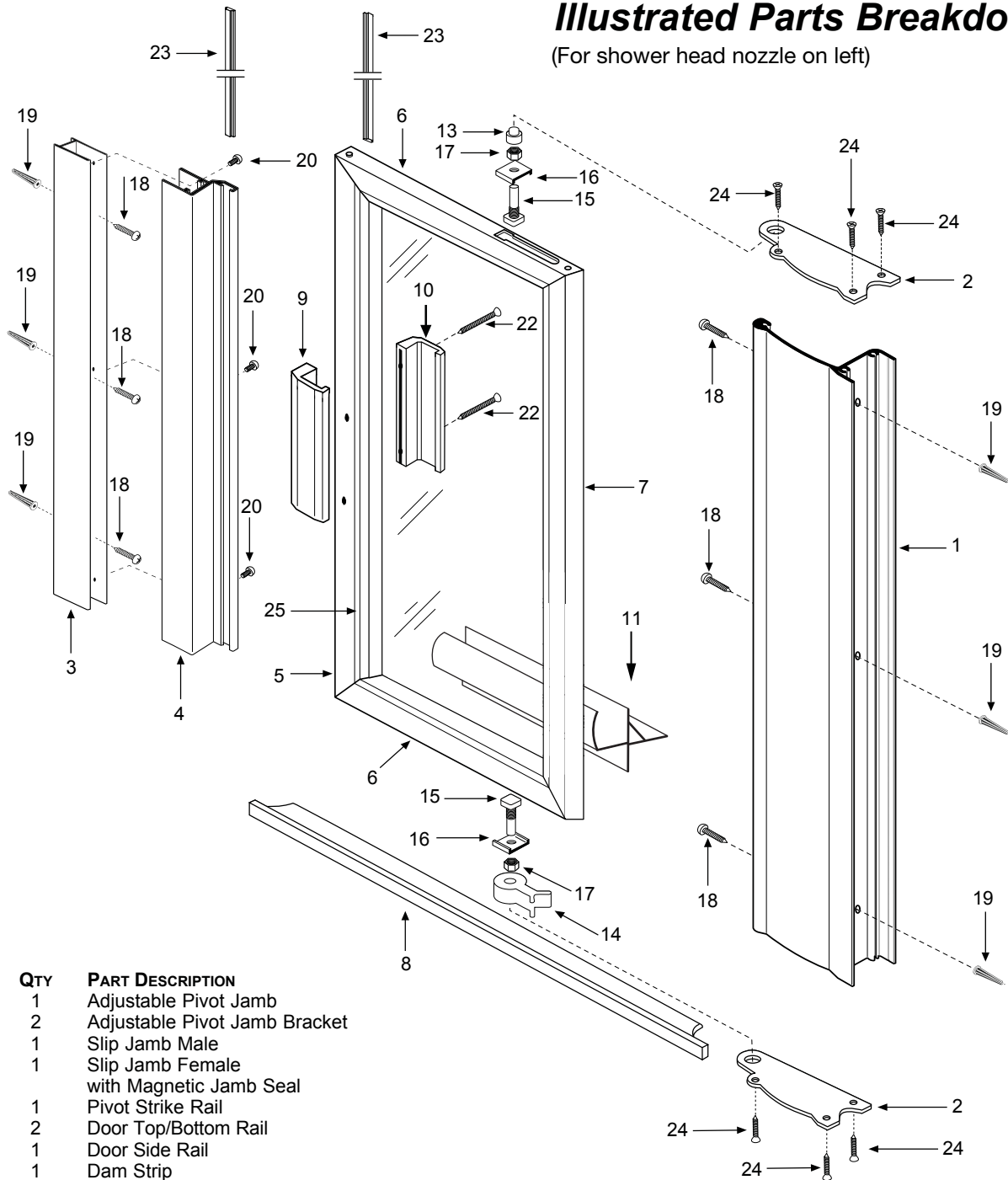
IMPLIED WARRANTIES INCLUDING THAT OF MERCHANTABILITY AND FITNESS FOR A PARTICULAR PURPOSE ARE EXPRESSLY LIMITED IN DURATION TO THE DURATION OF THIS WARRANTY.

LIBERTY HARDWARE AND/OR SELLER DISCLAIM ANY LIABILITY FOR SPECIAL, INCIDENTAL OR CONSEQUENTIAL DAMAGES.

Some states/provinces do not allow limitations on how long an implied warranty lasts, or the exclusion or limitation of special, incidental or consequential damages, so these limitations and exclusions may not apply to you. This warranty gives you specific legal rights. You may also have other rights which vary from state/province to state/province.

Illustrated Parts Breakdown

(For shower head nozzle on left)



No.	QTY	PART DESCRIPTION
#1	1	Adjustable Pivot Jamb
#2	2	Adjustable Pivot Jamb Bracket
#3	1	Slip Jamb Male
#4	1	Slip Jamb Female with Magnetic Jamb Seal
#5	1	Pivot Strike Rail
#6	2	Door Top/Bottom Rail
#7	1	Door Side Rail
#8	1	Dam Strip
#9	1	Handle Outside
#10	1	Handle Inside (with Holes)
#11	1	Plastic Water Diverter and Gasket
#13	1	Pivot Bushing (Top)
#14	1	Pivot Bushing (Bottom)
#15	2	Pivot Pin
#16	2	Spanner Washer
#17	2	Kep Nut
#18	6	#8 x 1 1/2" PH SMS Screw
#19	6	Screw Anchor
#20	3	#6 x 3/8" "B"-Point Screw

No.	QTY	PART DESCRIPTION
#22	2	#6 x 1-1/2" Flat Head Tapping Screw
#23	2	Magnetic Jamb Seal
#24	6	#8 x 1/2" FH SMS Screw

In this instruction booklet we will walk you through the installation of your new shower door.

DO NOT REMOVE your old shower door until you check your new shower door kit for all the proper parts. Make sure that you have all the proper tools required to assemble your new shower door. Use this check list.

- Phillips Screwdriver
- Level
- Electric Drill
- 1/8" Drill Bit (for fiberglass stall)
- 3/16" Masonry Drill Bit (for tile stall)
- 7/64" Drill Bit
- 7/16" Open End Wrench
- Pliers
- Pencil
- Hammer
- Tin Snips
- Caulking Gun and one Tube of Clear Silicone
- Tape Measure
- Safety Glasses

CAUTION: Wear safety glasses whenever drilling or cutting. Handle the Door panel carefully. The corners of the panel can damage tile and floor covering. Tempered glass cannot be cut.

STEP 1 Checking Contents of Shower Door Package

DO NOT use a razor blade to cut open the paper wrapping as you may scratch the contents. Use the IPB Drawing to help you locate the following parts:

No.	Qty.	Description
(#1)	1	Adjustable Pivot Jamb
(#2)	2	Adjustable Pivot Jamb Bracket
(#3)	1	Slip Jamb Male
(#4)	1	Slip Jamb Female with Magnetic Jamb Seal
(#8)	1	Dam Strip
(#9)	1	Handle Outside
(#10)	1	Handle Inside (with Holes)
(#11)	1	Plastic Water Diverter & Gasket
(#13)	1	Pivot Bushing (Top)
(#14)	1	Pivot Bushing (Bottom)
(#15)	2	Pivot Pin

(#16)	2	Spanner Washer	
(#17)	2	Kep Nut	
(#18)	6	#8 x 1 1/2" PH SMS Screw	
(#19)	6	Screw Anchor	
(#20)	3	#6 x 3/8" "B"-Point Screws	
(#22)	2	#6 x 1-1/2" Flat Head Tapping Screw	
(#24)	6	#8 x 1/2" FH SMS Screw	

If you find that any parts are damaged or missing, refer to the parts list and IPB Drawing and contact Liberty Hardware's Customer Service Department at 1-800-345-3358. NOTE: Views and directions given in these instructions – left, right, front, back, etc. – are from outside the enclosure, facing the shower.

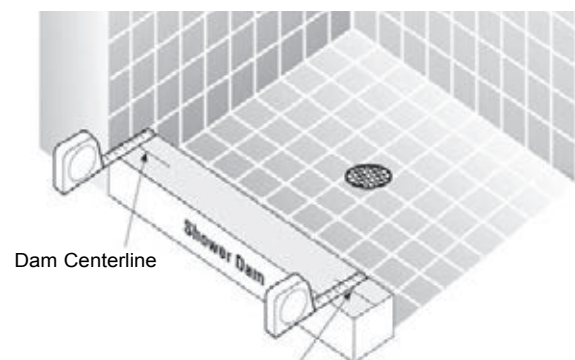
STEP 2 Removing the Existing Enclosure

- A. Remove existing shower door and all existing parts to that door assembly. Remove all screw anchors from the wall. Remove silicone sealant or tub caulking and any other contaminants from shower.

STEP 3 Installing the Adjustable Pivot Jamb

NOTE: The wall opposite the shower head and controls will be the pivot side. Some situations may require the door to pivot on the same side as the shower head and controls.

- A. Using the Tape Measure, find the center of the shower dam. Make a mark where the center is on both ends of the dam. (See Figure 1).



Dam Centerline Dam Centerline Figure 1

- B. Locate the Adjustable Pivot Jamb (#1), the Adjustable Pivot Jamb Brackets (#2) and six #8 x 1/2" FH SMS Screws (#24).

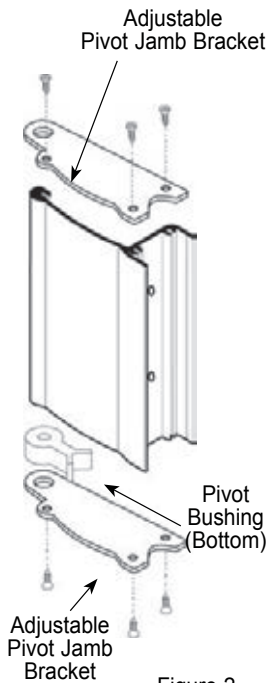


Figure 2

- C. Secure the Adjustable Pivot Jamb Brackets (#2) to the Adjustable Pivot Jamb (#1) with the #8 x 1/2" FH SMS Screws (#24). Tighten the bottom three screws completely. Tighten the top three screws only half way.

- D. Locate the Pivot Bushing (Bottom) (#14) and press it into the Bottom Adjustable Pivot Jamb Bracket (#2) plate hole (See Figure 2).

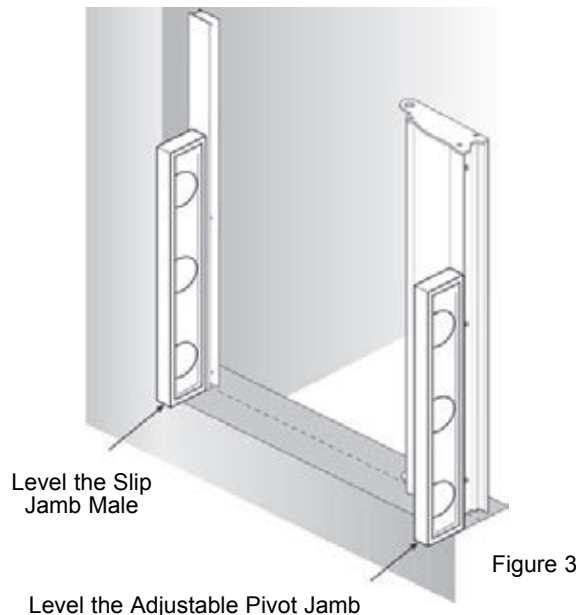
- E. Align the center of the Pivot Bushing (Bottom) (#14) with the mark on the shower dam. Use a Level against the Adjustable Pivot Jamb (#1) to align it straight up and down (See Figure 3). Using a Pencil, mark the wall through each of the three pre-drilled holes in the side of the Adjustable Pivot Jamb (#1). Remove the Adjustable Pivot Jamb (#1).

- F. Using either a 1/8" Drill Bit (for a fiberglass enclosure) or a 3/16" Masonry Drill Bit (for tile/marble), drill holes where you made the marks. If installing in a tile/marble enclosure, gently tap a Screw Anchor (#19) into each hole. **DO NOT use the Screw Anchors for a fiberglass enclosure.**

- G. Position the Adjustable Pivot Jamb (#1) and use three #8 x 2 1/2" PH SMS Screws (#18) to secure the Adjustable Pivot Jamb (#1) to the wall.

STEP 4 Installing the Slip Jamb Male

- A. Locate the Slip Jamb Male (#3) and three #8 x 1 1/2" PH SMS Screws (#18).
- B. Place the Slip Jamb Male (#3) at the centerline mark on the shower dam opposite the Adjustable Pivot Jamb (#1) as shown in Figure 3. Use the Level to align the Slip Jamb Male (#3) straight up and down. Use the pencil tip in each of the pre-drilled holes in the Slip Jamb Male (#3) to mark the wall. Set the Slip Jamb Male (#3) aside.



- C. Using either a 1/8" Drill Bit (for a fiberglass enclosure) or a 3/16" Masonry Drill Bit (for tile/marble) drill holes where you made the pencil marks. If installing in a tile/marble enclosure, gently tap a Screw Anchor (#19) into each hole. **DO NOT use the Screw Anchors (#19) for a fiberglass enclosure.**
- D. Position the Slip Jamb Male (#3) and use three #8 x 1 1/2" PH SMS Screws (#18) to secure the Slip Jamb Male (#3) to the wall.

STEP 5 Installing the Slip Jamb Female

- A. Locate the Slip Jamb Female (#4) (comes with Magnetic Jamb Seal (#23) pre-installed) and three #6 x 3/8" "B"-Point Screws (#20).
- B. Place the Slip Jamb Female (#4) over the Slip Jamb Male (#3) with the Magnetic Jamb Seal (#23) facing **OUT**, towards you as you look into the shower. Use the Level to adjust the Slip Jamb Female (#4) vertically. **DO NOT** secure at this time.

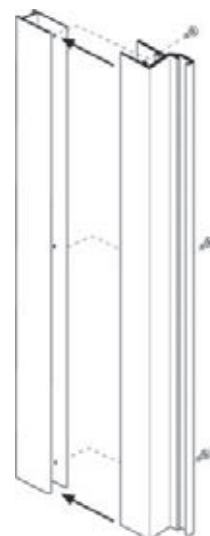


Figure 4

STEP 6 Installing the Pivot Pin Assemblies

- A. Locate the Pivot Pins (#15), Spanner Washers (#16), Kep Nuts (#17) and Pivot Bushing (Top) (#13).

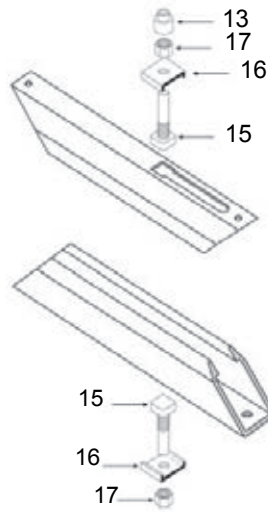


Figure 4

- B. Loosely assemble the two Pivot Assemblies: Pivot Pin (#15), Spanner Washer (#16) and Kep Nut (#17). Place the square head of a Pivot Pin (#15) into each pivot slot of the Door Top and Bottom Rails (#6) on the door panel.

Slide the Pivot Pin (#15) toward the narrow end of the pivot slot in the Door Top and Bottom Rails (#6) and hand tighten.

STEP 7 Installing the Door

NOTE: Installing the door may be slightly easier with another person to assist you.

- A. Carefully lift the door and set the bottom Pivot Pin (#15) into the Pivot Bushing (Bottom) (#14). Holding the door panel in place, set the Pivot Bushing (Top) (#13) over the top Pivot Pin (#15) (See Figure 5).

- B. Lift the top Adjustable Pivot Jamb Bracket (#2) and align the top Pivot Pin (#15) and Pivot Bushing (Top) (#13) with the hole in the top Adjustable Pivot Jamb Bracket (#2). Lower the Adjustable Pivot Jamb Bracket (#2) onto the Pivot Pin (#15) and Pivot Bushing (Top) (#13) and tighten the three top screws.

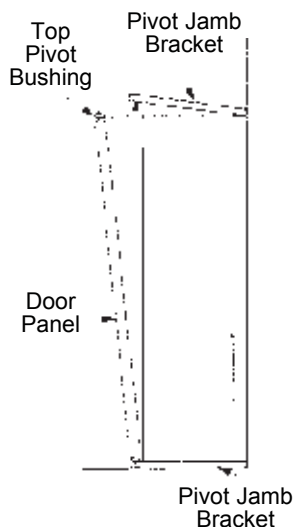


Figure 5

- C. Close the door and adjust it so that there is a 1/8" gap along the entire length of the door on the strike side. Use the 7/16" wrench to

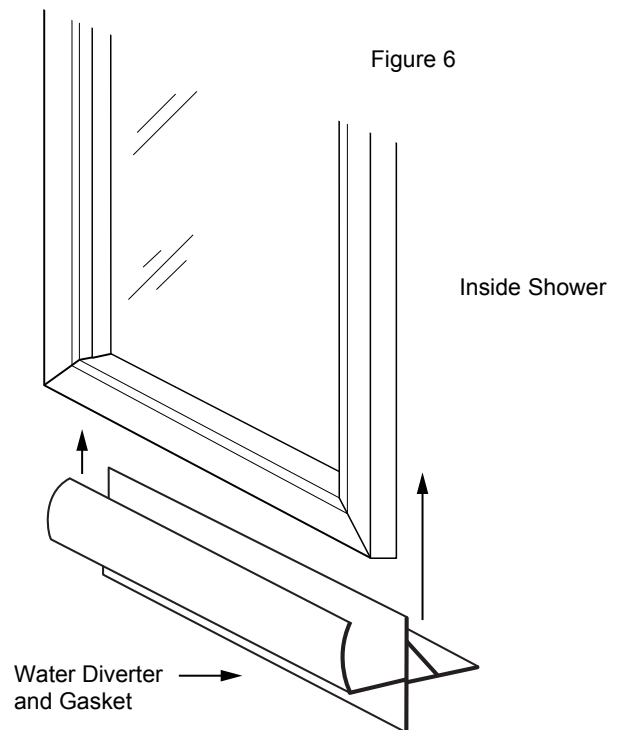
tighten the Kep Nuts (#17) at the top and bottom of the door, maintaining the 1/8" gap.

- D. Standing inside the shower, use the 7/64" Drill Bit to drill holes through the Slip Jamb Female pre-drilled holes and into the Slip Jamb Male. Secure the Slip Jamb Female (#4) to the Slip Jamb Male (#3) with three #6 x 3/8" "B"-Point Screws (#20) (See Figure 4 on page five).

Note: Once installed, if you find that the door will not stay closed, the magnet needs to be turned around. Remove the Magnetic Jamb Seal (#23) and reinsert it the other way.

STEP 8 Installing the Plastic Water Diverter and Gasket

- A. Locate the plastic water diverter and gasket (#11). Measure the bottom of the Door Panel. Reduce this measurement by 1- 1/4" and carefully cut with tin snips or large scissors. This will allow the door to close against the Slip Jamb and the magnetic seal (#4).
- B. Carefully slide the water diverter and gasket onto the bottom of the door panel. See Fig. 6



STEP 9 Installing the Handles

- A. Locate the Handle Outside (#9), Handle Inside (with Holes) (#10).
- B. Use the #6 x 1-1/2" Flat Head Tapping Screws to attach the Handles to the Pivot Strike Rail (#5). Screw heads should be *inside* the shower.

STEP 10 Installing the Dam Strip

- A. Locate the Dam Strip (#8). Notice that one end has been pre-cut to fit the shape of the Adjustable Pivot Jamb Bracket (#2).
- B. From the outside of the shower enclosure insert the Dam Strip (#8) to meet the Adjustable Pivot Jamb Bracket (#2). Cut the other end of the Dam Strip (#8) straight to fit up against the Slip Jamb Female (#4) (See Figure 7).

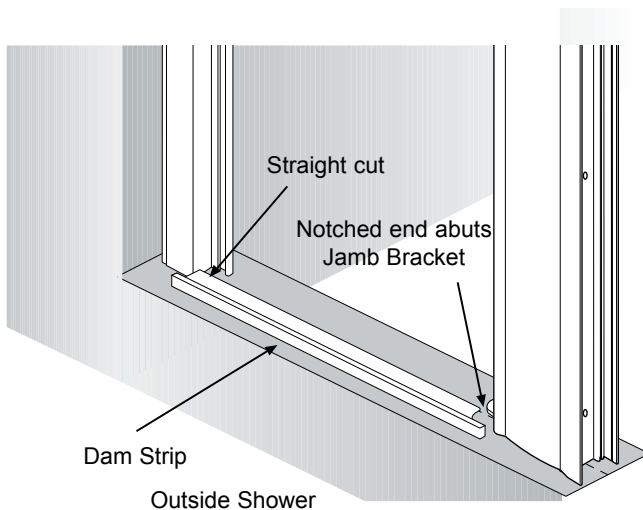


Figure 7

- C. Make sure that the top surface of the shower dam is completely clean of oil, dust, debris or other contaminants. Apply a small 1/4" to 3/8" bead of 100% silicone to the underside of the Dam Strip (#8). Wipe away excess silicone immediately. Follow sealant manufacturer for proper use and clean-up recommendations.

STEP 11 Silicone Sealing the Enclosure

- A. Using clear Silicone, seal all edges, both interior and exterior where the Adjustable Pivot Jamb (#1), Adjustable Pivot Brackets (#2), Slip Jamb Female (#4) and Dam Strip (#8) meet and where they meet the tile or fiberglass.

NOTE: Silicone sealant must cure for 24 hours before you use your new enclosure. Silicones may vary. Please follow manufacturer's instructions for safety, cleaning and disposal recommendations.

