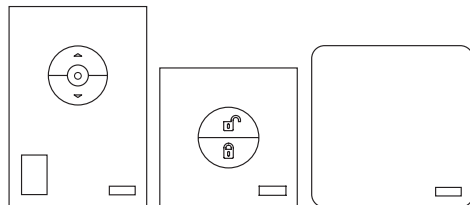


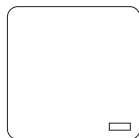
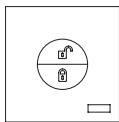
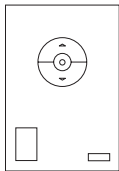
VELUX ACTIVE with NETATMO

indoor climate control
KIX 300

Installation instructions
Installationsanleitung
Notice d'installation
Monteringsvejledning
Montage instructies
Istruzioni di installazione
Instrucciones de instalación
Uputstva za ugradnju
Инструкции за монтаж
Montážní návod
Paigaldusjuhendid
Upute za ugradnju
Iebūvēšanas instrukcijās
Montavimo instrukcijos
Beépítési tájékoztató

Installeringsveiledning
Instrukcja montażu
Instruções de instalação
Instruțiuni de instalare
Руководство по установке
Navodila za montažo
Návod na montáž
Uputstva za ugradnju
Asennusohjeet
Installationsanvisning
Montaj kılavuzları
Інструкція зі встановлення
除阿根廷以外

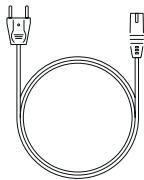




AAA x2*



AA x3*



x2



x5

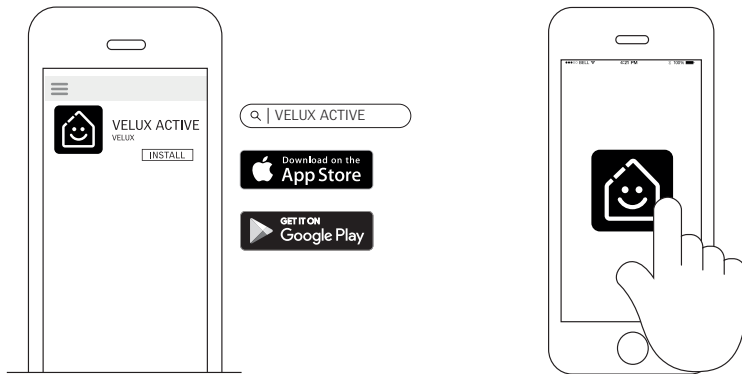


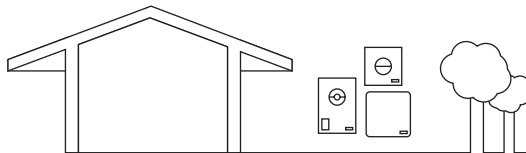
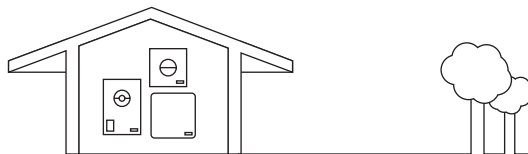
x5

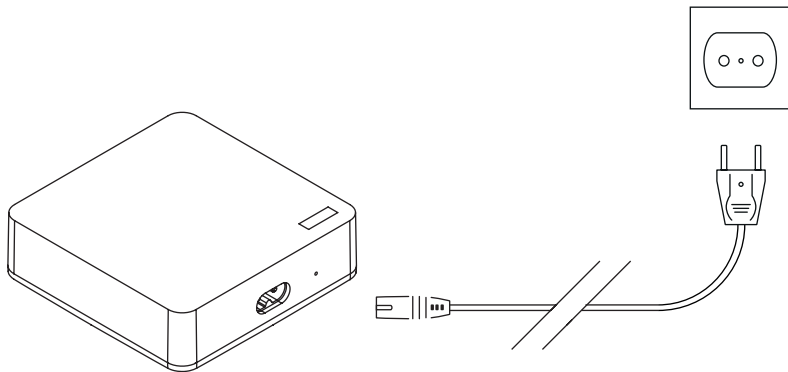


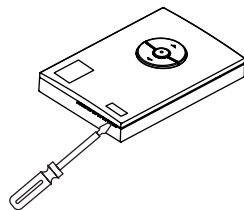
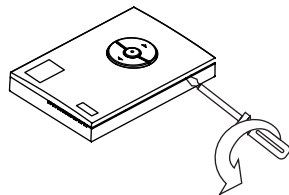
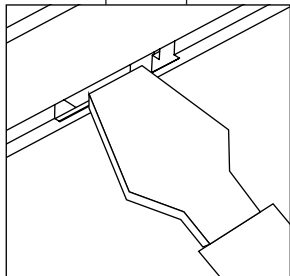
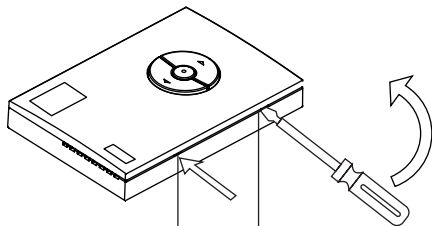
x2

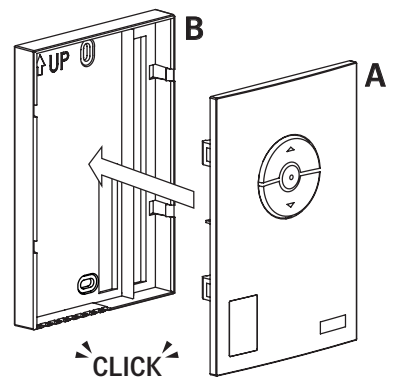
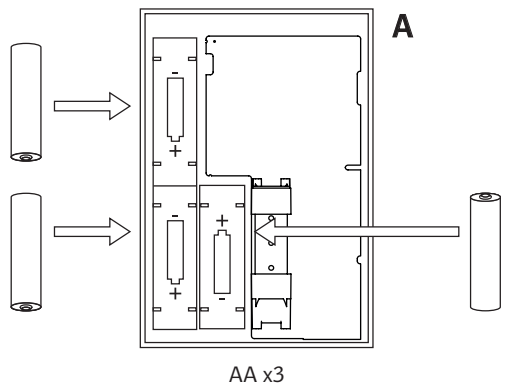
*Except in Argentina – Excepto en Argentina

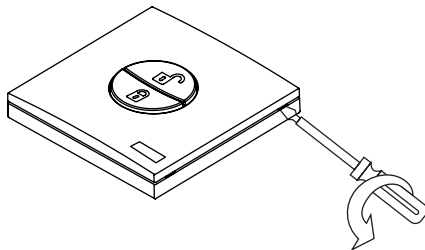
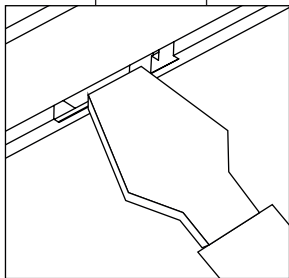
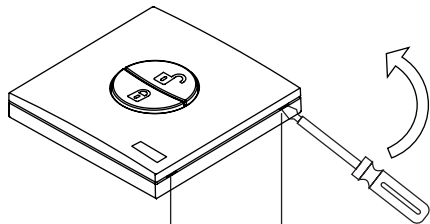


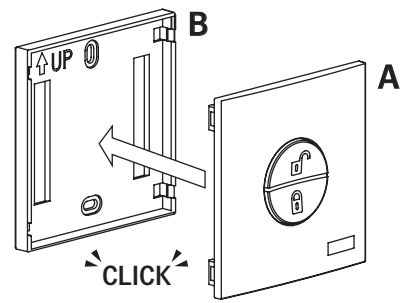
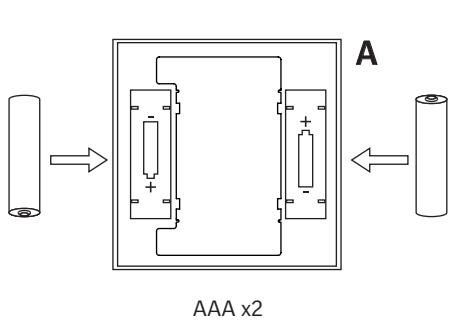


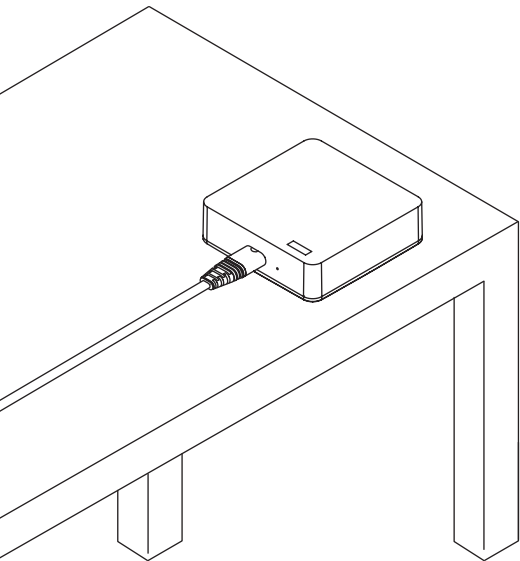
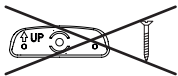




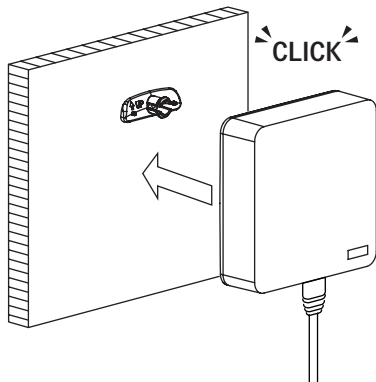
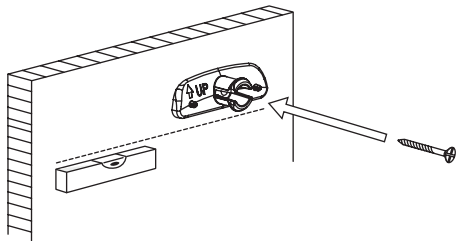


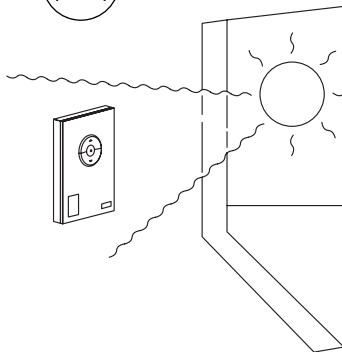
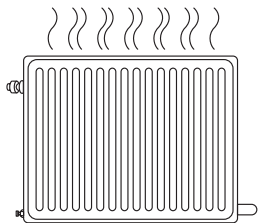
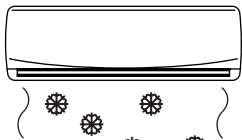






VELUX®

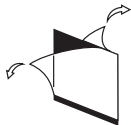




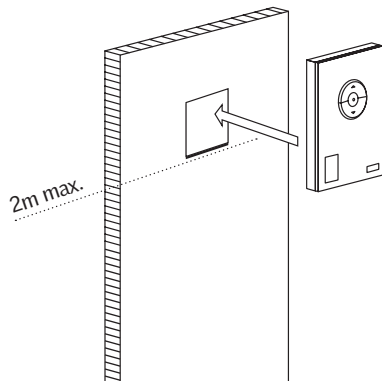


VELUX®

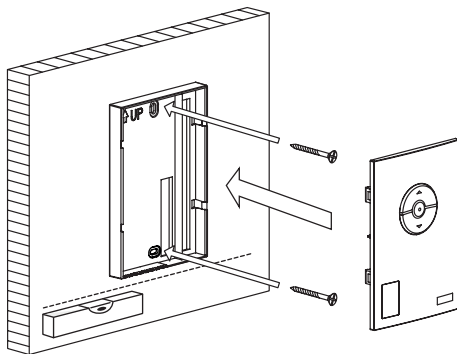
1.



2.



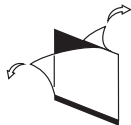
2m max.





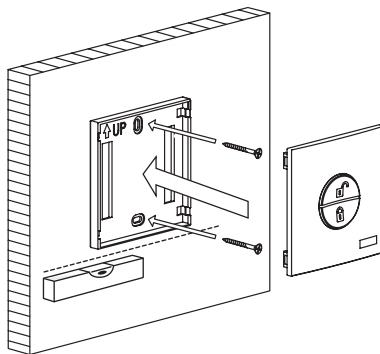
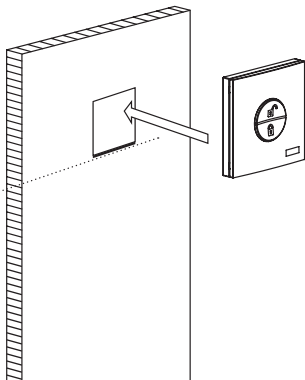
VELUX

1.



2.

2m max.



Important information

Read instructions carefully before installation and operation. Keep the instructions for future reference and hand them over to any new user.

Safety

VELUX ACTIVE indoor climate control KIX 300 and mains cable are for indoor and dry environment use only.

Use only with the supplied mains cable.

VELUX ACTIVE indoor climate control can be used by persons (aged 8 years and above) with sufficient experience and knowledge if they have been given instruction concerning safe use and understand the hazards involved.

Children must not play with VELUX ACTIVE indoor climate control (departure switch, indoor climate sensor and app).

If mains cable is damaged, it must be replaced.

Caution: Risk of explosion if the battery is replaced by an incorrect type. Use only alkaline AA for NXS01 and alkaline AAA for NXD01E.

Product

Check that the gateway can operate the relevant products from the chosen position before final fixing.

VELUX ACTIVE indoor climate control is based on two-way RF (radio frequency) communication and marked with the symbol [↔]. This symbol can be found on the data label

Radio specifications:

Parameters			Model/version			
Radio	Frequency band	Power (mW)	NXG01E	NXG01C	NXS01	NXD01E
io-homecontrol®	868.0 – 870.0 MHz	20	X	-	-	-
	2400 – 2483.5 MHz	25	-	X	-	-
RF sub-GHz	863.0 – 870.0 MHz	15	X	X	X	X
WiFi 802.11 b/g/n	2400 – 2483.5 MHz	100	X	X	-	-

Radio frequency range: 300 m free field. Depending on building construction, the indoor range is approx 30 m. However, constructions with reinforced concrete, metal ceilings and plaster walls with steel members may reduce the range.

The only way to turn off the gateway (NXG01E / NXG01C) is to disconnect the mains cable. Ensure that the socket outlet is always easily accessible.

Electrical products must be disposed of in conformity with national regulations for electronic waste and not with household waste.

Used batteries must not be disposed of together with household waste but have to be disposed of in conformity with the relevant national environmental regulations. Batteries contain substances that can be harmful if not handled and recycled correctly.



Use local authority battery disposal point where available.

The packaging can be disposed of with usual household waste.

Maintenance

VELUX ACTIVE indoor climate control requires a minimal amount of maintenance. The surface may be cleaned with a soft, damp cloth.

Disconnect mains or battery supply before carrying out any maintenance or service work to the window and products connected to it and ensure that it cannot be reconnected unintentionally.

Expected battery lifetime: Min. 2 years.

Spare parts are available from your VELUX sales company.

If you have any technical questions, please contact your VELUX sales company, see telephone list or www.velux.com.

Interfaces

Compatible with:

iOS: VELUX ACTIVE with Netatmo requires an iPhone, iPad, or iPod touch with iOS 9.0 or later.
 Android: Requires Android 5.0 and higher with access to Google Play.
 Apple HomeKit (using the Home app)

To control this HomeKit-enabled accessory, iOS 9.0 or later is recommended. Controlling this HomeKit-enabled accessory automatically and away from home requires an Apple TV with tvOS 10.0 or later or an iPad with iOS 10.0 or later set up as a home hub.

Legal Notice: Use of the Works with Apple HomeKit logo means that an electronic accessory has been designed to connect specifically to iPod, iPhone or iPad, respectively, and has been certified by the developer to meet Apple performance standards. Apple is not responsible for the operation of this device or its compliance with safety and regulatory standards. Please note that the use of this accessory with iPod, iPhone, or iPad may affect wireless performance.

iPhone, iPod and iPad are registered trademarks of Apple Inc, registered in the US and other countries.

HomeKit is a trademark of Apple Inc.






App Store is a service mark of Apple inc.

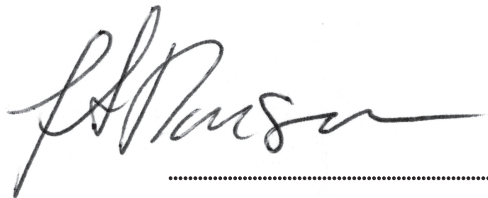
Android, Google Play and the Google Play logo are trademarks of Google Inc.

Declaration of conformity

We herewith declare that VELUX ACTIVE indoor climate control KIX 300 (gateway 3LG E01/NXG01E, indoor climate sensor KLA 300/3LA E06/NXS01 and departure switch KLN 300/3LN E01/NXD01E) is in conformity with the Radio Equipment Directive 2014/53/EU and the RoHS Directive 2011/65/EC and has been manufactured in accordance with the harmonised standards EN 62368-1(2014), EN 300220-2 v3.1.1, EN 300220-1 v3.1.1, EN 300328 v2.1.1, EN 301489-1 v2.2.0, EN 301489-3 v2.1.1, EN 301489-17 v3.2.0, EN 55032(2015), EN 55024(2010) +A1(2015), EN 61000-3-2 (2014), EN 61000-3-3 (2013), EN 61326-1(2013), EN 62311(2008), EN 62479(2010) and EN 50581(2012). The notified body LGIE, identification number 0081, performed the tests and the reports on the products and issued the EU-type examination certificate number RED_86, RED_87, RED88.

Symbols description

	Product compliance with the EU legislation.
	Class 2 circuit.
	AC: Alternating current.
	DC: Direct current.
	The non-working product should be disposed of according to local regulations. It should not be placed in ordinary household waste bin.

A handwritten signature in black ink, appearing to read 'Jens Aksel Thomsen', written in a cursive style. Below the signature is a horizontal dotted line.

(Jens Aksel Thomsen, Market Approval)

29-01-2018

VELUX A/S
Ådalsvej 99
DK-2970 Hørsholm



VELUX®

HomeKit setup code

 velux.com/activesupport



QSG-KIX300EU/CN-V3

Copyright VELUX A/S 2017 All rights reserved. Reproduction and distribution prohibited without written authorization from VELUX A/S.
VELUX ACTIVE with NETATMO, smart solution co-developped with NETATMO.
Copyright VELUX A/S 2017 Tous droits réservés. Reproduction et distribution interdites sans l'autorisation écrite de VELUX A/S.
VELUX ACTIVE with NETATMO, solution intelligente co-développée avec NETATMO.