

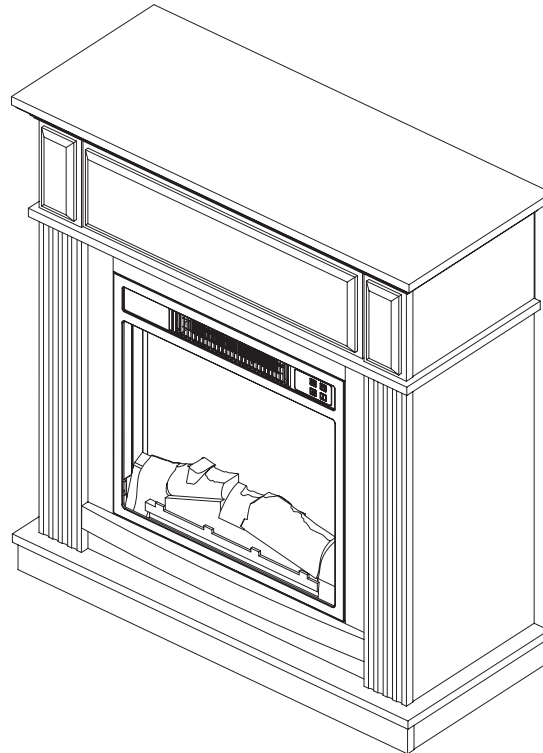
Item # 1003132247  
# 1003054957  
# 1003063474  
# 1003063475



Model # 18-751-48  
# 18-751-48-Y  
# 18-751-93-Y  
# 18-751-204-Y

# USE AND CARE GUIDE

## COMPACT INFRARED FIREPLACE



### IMPORTANT INSTRUCTIONS

PLEASE READ THIS MANUAL BEFORE INSTALLING AND USING APPLIANCE

#### WARNING!

IF THE INFORMATION IN THIS MANUAL IS NOT FOLLOWED EXACTLY,  
AN ELECTRICAL SHOCK OR FIRE MAY RESULT  
CAUSING PROPERTY DAMAGE, PERSONAL INJURY OR LOSS OF LIFE.

**INSTALLER:** Leave this manual with the appliance.  
**CONSUMER:** Retain this manual for future reference.

Questions, problems, missing parts? Before returning to the store,  
call Hampton Bay Customer Service  
8 a.m. - 6 p.m., EST, Monday - Friday


**855-HD-HAMPTON    HAMPTONBAY.COM**

#### THANK YOU

We appreciate the trust and confidence you have placed in Hampton Bay through the purchase of this electric fireplace. We strive to continually create quality products designed to enhance your home. Visit us online to see our full line of products available for your home improvement needs. Thank you for choosing Hampton Bay!

# Table of Contents

Table of Contents . . . . .	2	Package Contents . . . . .	6
Safety Information . . . . .	3	Assembly . . . . .	7
Warranty . . . . .	4	Care and Cleaning . . . . .	15
Pre-Assembly . . . . .	5	Shelf Weight Capacity . . . . .	15
Planning Assembly . . . . .	5	Service Parts . . . . .	16
Tools Required . . . . .	5	Troubleshooting . . . . .	17
Hardware Included . . . . .	5		

 **IMPORTANT:** Read all instructions and warnings carefully before starting installation. Failure to follow these instructions may result in a possible electric shock, injury to persons, fire hazard and will void the warranty.

Please read the Installation & Operating Instructions before using this appliance.

 **CAUTION**

PRODUCT DAMAGE MAY OCCUR.  
Never attempt to disassemble or alter the product in any way not instructed by this manual.

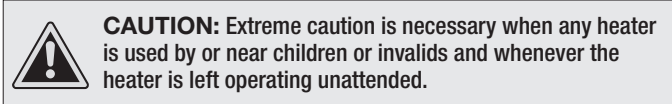
 **WARNING**

This Product can expose you to chemicals including Di(2-ethylhexyl)phthalate (DEHP) which is known to the State of California to cause cancer and developmental harm.  
**For more information go to [www.p65Warnings.ca.gov](http://www.p65Warnings.ca.gov)**

# Safety Information

Please read and understand this entire manual before attempting to assemble, operate or install the product.

- Read all instructions before using this appliance.
- This appliance is hot when in use. To avoid burns, do not let bare skin touch hot surfaces. If provided, use handles when moving this appliance. Keep combustible materials, such as furniture, pillows, bedding, papers, clothes and curtains at least 3 ft. (914 mm) from the front of this appliance and keep them away from the sides and rear.



- If possible, always unplug this appliance when not in use.
- Do not operate any heater with a damaged cord or plug or after the appliance malfunctions, has been dropped or damaged in any manner.
- Any repairs to this appliance should be carried out by a qualified service person.
- Under no circumstances should this appliance be modified. Parts having to be removed for servicing must be replaced prior to operating this appliance again.
- Do not use outdoors.
- This heater is not intended for use in bathrooms, laundry areas and similar indoor locations. Never place this appliance where it may fall into a bathtub or other water container.
- Do not run the cord under carpeting. Do not cover the cord with throw rugs, runners or the like. Arrange the cord away from traffic areas and where it will not be tripped over.
- To disconnect this appliance, turn the controls to the off position, then remove the plug from the outlet.
- Connect to properly grounded outlets only.
- This appliance, when installed, must be electrically grounded in accordance with local codes, with the current CSA C22.1 Canadian Electrical codes or for USA installations, follow local codes and the National Electric Code, ANSI/NFPA No. 70.
- Do not insert or allow foreign objects to enter any ventilation or exhaust opening, as this may cause an electric shock, fire, or damage to the appliance.
- To prevent possible fire, do not block air intakes or exhaust in any manner. Do not use on soft surfaces, like a bed, where openings may become blocked.
- This appliance has hot and arcing or sparking parts inside. Do not use it in areas where gasoline, paint, or flammable liquids are used or stored. This appliance should not be used as a drying rack for clothing, nor should Christmas stockings or decorations be hung on or near it.
- Use this appliance only as described in this manual. Any other use not recommended by the manufacturer may cause fire, electric shock, or injury to persons.
- Always plug heaters directly into a wall outlet/receptacle. Never use with an extension cord or relocatable power tap (outlet/power strip) because of the risk of overheating the cord and the risk of fire. Extension cords are for temporary use only. If an extension cord must be used, it must be UL/CSA certified, rated at 15A (1,875W), 125V maximum with 14 AWG minimum and constructed of two current carrying conductors with ground. A heavy duty extension cord with the shortest length possible for the connection is recommended and must not be longer than 50 ft. (15.2 m). Do not coil or cover the extension cord.
- "SAVE THESE INSTRUCTIONS FOR FUTURE USE"

# Warranty

---

## 1-YEAR WARRANTY

### WHAT IS COVERED

The manufacturer warrants that your new electric fireplace is free from manufacturing and material defects for a period of one year from date of purchase, subject to the following conditions and limitations.

Variations in actual wood color and finishes which may result from natural characteristics of the wood, such as grain patterns, mineral streaks and the like, are not considered defects. As wood continues to move and age you may notice these slight differences in color, even on different parts of any individual unit. Sound knots and slight surface cracks are the true personality of a quality piece of wood furniture.

This electric fireplace must be installed and operated at all times in accordance with the instructions furnished with the product. Any alteration, willful abuse, accident, or misuse of the product shall nullify this warranty. This warranty is non-transferrable, and is made to the original owner, provided that the purchase was made through an authorized supplier of the manufacturer. This warranty is limited to the repair or replacement of part(s) found to be defective in material or workmanship, provided that such part(s) have been subjected to normal conditions of use and service, after said defect is confirmed by the manufacturer's inspection. The manufacturer may, at its discretion, fully discharge all obligations with respect to this warranty by refunding the wholesale price of the defective part(s).

### WHAT IS NOT COVERED

Any installation, labor, construction, transportation, or other related costs/expenses arising from defective part(s), repair, replacement, or otherwise of same, will not be covered by this warranty, nor shall the manufacturer assume responsibility for same. Further, the manufacturer will not be responsible for any incidental, indirect, or consequential damages, except as provided by law.

All other warranties - expressed or implied - with respect to the product, its components and accessories, or any obligations/liabilities on the part of the manufacturer are hereby expressly excluded. The manufacturer neither assumes, nor authorizes any third party to assume, on its behalf, any other liabilities with respect to the sale of this product. The warranties as outlined within this document do not apply to non-manufacturer accessories used in conjunction with the installation of this product.

This warranty does not cover the lightbulb(s) included with the fireplace.

This warranty is void if: the fireplace has been operated in atmospheres contaminated by chlorine, fluorine, or other damaging chemicals; the fireplace is subjected to prolonged periods of dampness or condensation; the fireplace is altered, willfully abused, damaged by accident, or misused in any way.

If warranty service is needed, contact the Customer Service Team at 855-HD-HAMPTON from 8 a.m. - 6 p.m., EST, Monday-Friday or visit [www.hamptonbay.com](http://www.hamptonbay.com).

Make sure you have your warranty, your sales receipt, and the model/serial number of your product.

**DO NOT ATTEMPT TO DO ANY SERVICE WORK YOURSELF.**

# Pre-Assembly

## PLANNING ASSEMBLY

To avoid scratching the finish, assemble the product on a soft, non-abrasive surface, such as carpet or cardboard.

Assembly of this product may require more than one person.

## TOOLS REQUIRED

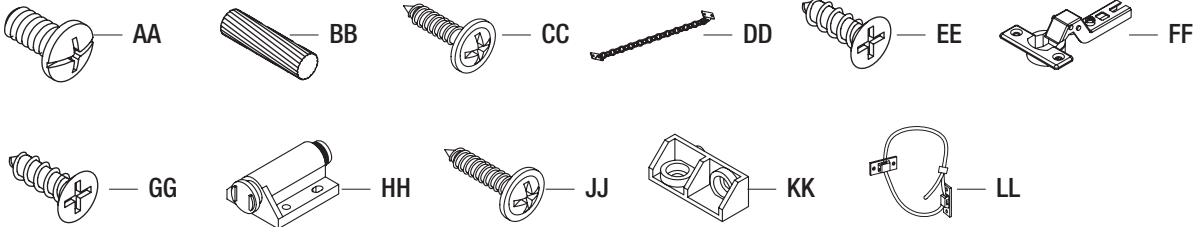


Phillips screwdriver

## HARDWARE INCLUDED



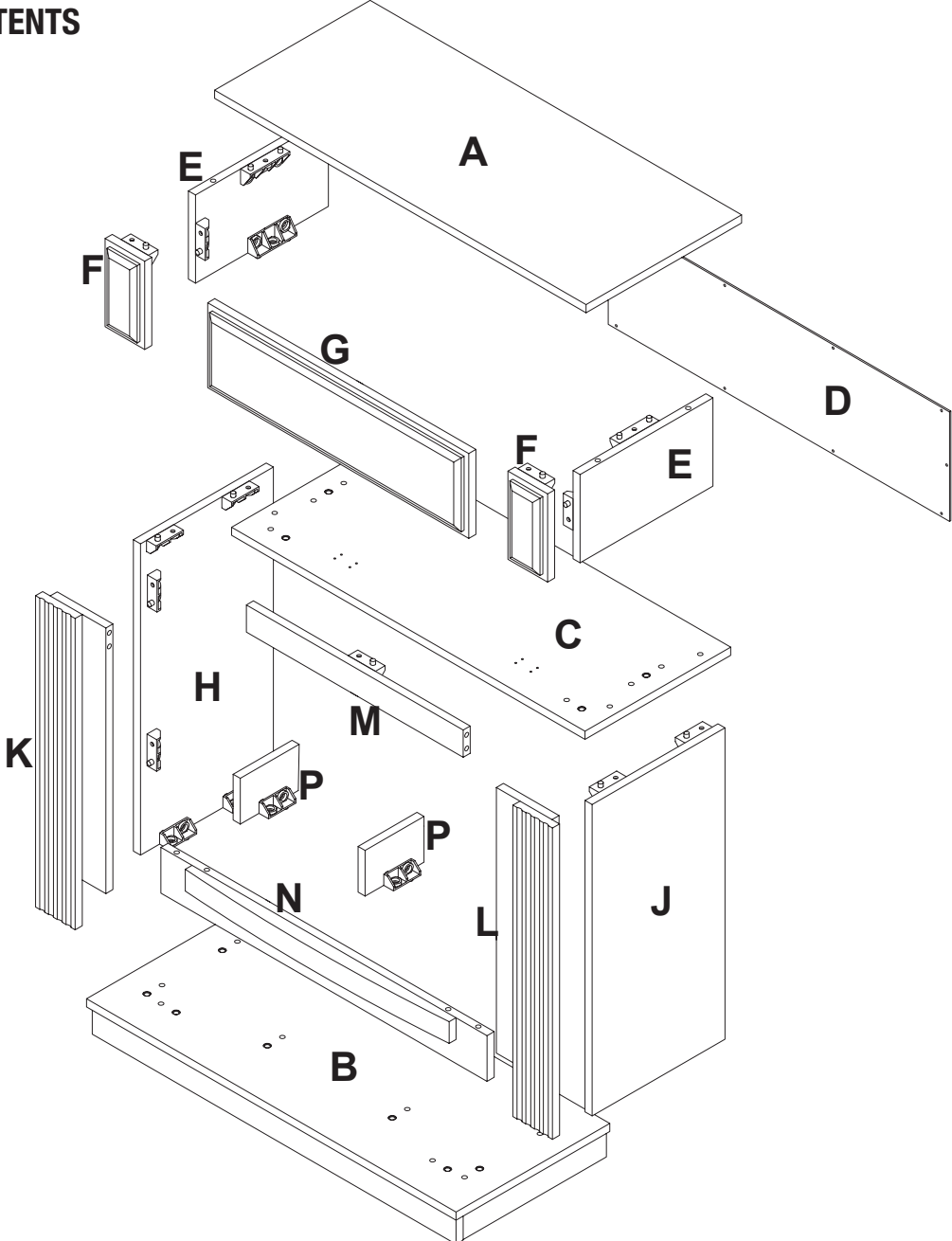
NOTE: Hardware not shown to actual size.



Part	Description	Quantity
AA	Bolt	34 + 2 extra
BB	Dowel	16 + 1 extra
CC	Back Panel Screw	10 + 2 extra
DD	Chain	1
EE	Chain Screw	4
FF	Hinge	2
GG	Hinge Screw	4
HH	Magnetic Catch	1
JJ	Catch Screw	4
KK	Connector	5
LL	Anti-tip Device	1

# Pre-Assembly (continued)

## PACKAGE CONTENTS

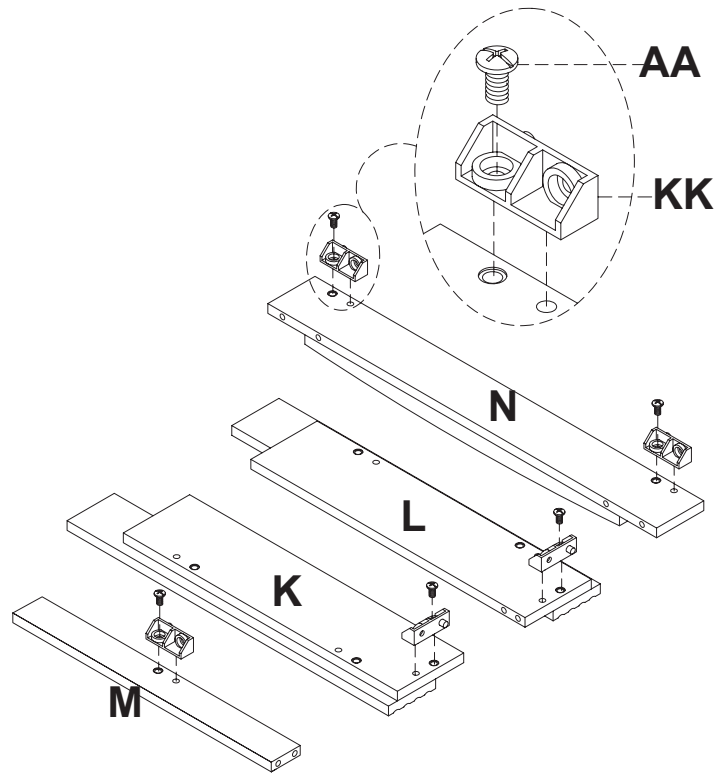


Part	Description	Quantity
A	Top Panel	1
B	Base Panel	1
C	Media Shelf	1
D	Back Panel	1
E	Upper Side Panel	2
F	Upper Front Panel	2
G	Door	1

Part	Description	Quantity
H	Left Side Panel	1
J	Right Side Panel	1
K	Left Trim	1
L	Right Trim	1
M	Top Trim	1
N	Base Trim	1
P	Support Panel	2

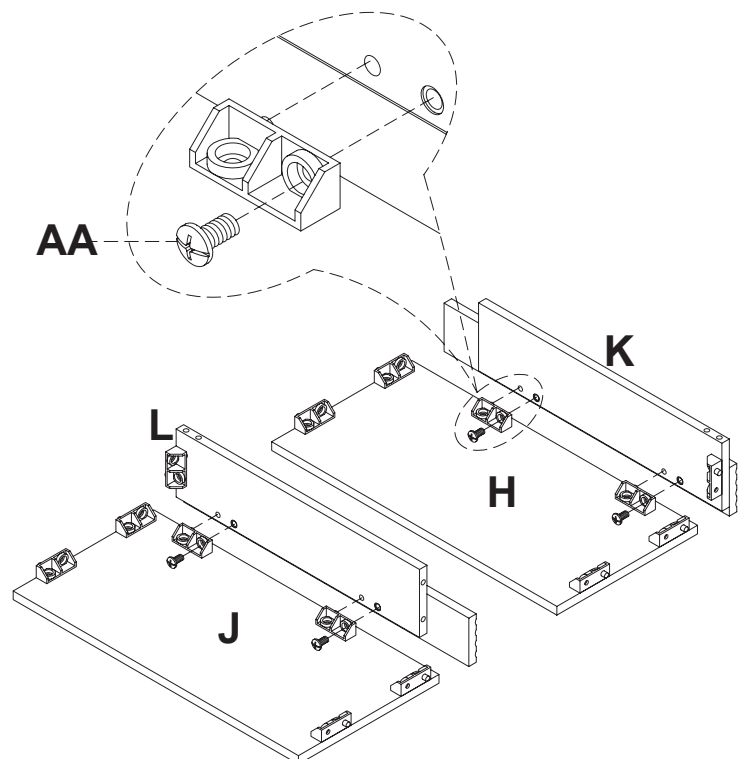
## 1 Attaching connectors

- Locate the left trim (K), right trim (L), top trim (M), and base trim (N) and place on soft surface to protect the finish.
- Attach five connectors (KK) to left trim (K), right trim (L), top trim (M), and base trim (N) by turning the five bolts (AA) clockwise through the connector. Do not strip the bolts (AA) by overtightening.



## 2 Attaching the trim to side panels

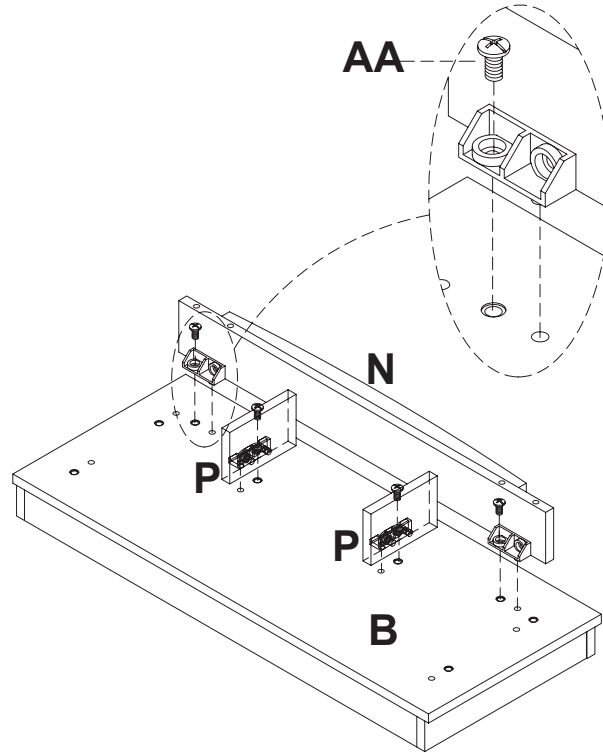
- Locate the left side panel (H) and right side panel (J) and place on soft surface to protect the finish.
- Attach the left trim (K) and right trim (L) to the side panels (H & J) (by turning the bolts (AA) clockwise through the connector. Do not strip the bolts (AA) by overtightening.



## Assembly (continued)

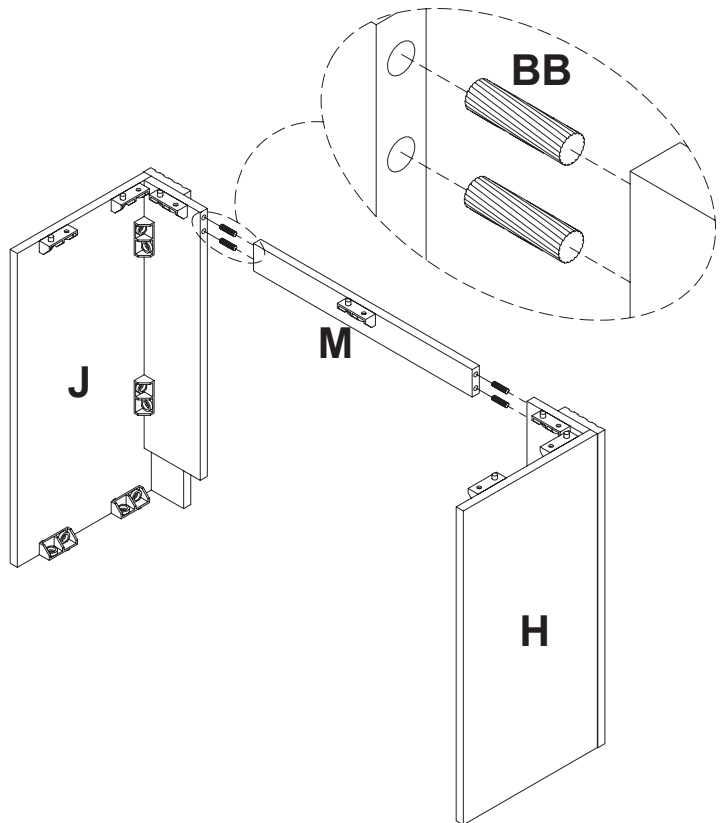
### 3 Attaching the base trim to base panel

- Locate the base panel (B) and place on a soft surface to protect the finish.
- Attach the base trim (N) to the base panel (B) by turning four bolts (AA) clockwise through the connectors. Do not trip the bolt (AA) but overtightening.
- Attach the two support panels (P) to the base panel (B) turning four bolts (AA) clockwise through the connector. Do not strip the bolts (AA) by overtightening.



### 4 Attaching top trim to side panels

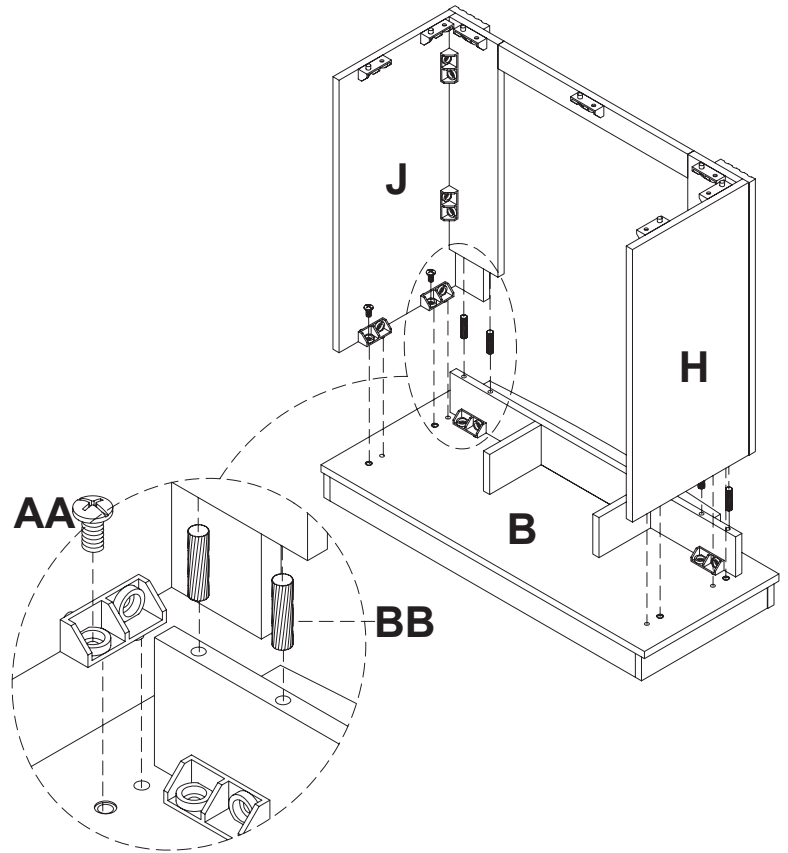
- Insert four wood dowels (BB) into the unthreaded holes in the top trim (M)
- Line up the four wood dowels (BB) in the top trim (M) with the unthreaded holes in the left and right side panel (J & H).
- Press together firmly until flush.
- Insert eight bolts (AA) into the connector on the media shelf (C).
- Attach the left and right inside (G & F) to the media shelf (C) by turning the bolts (AA) clockwise. Do not strip the bolts (AA) by overtightening.





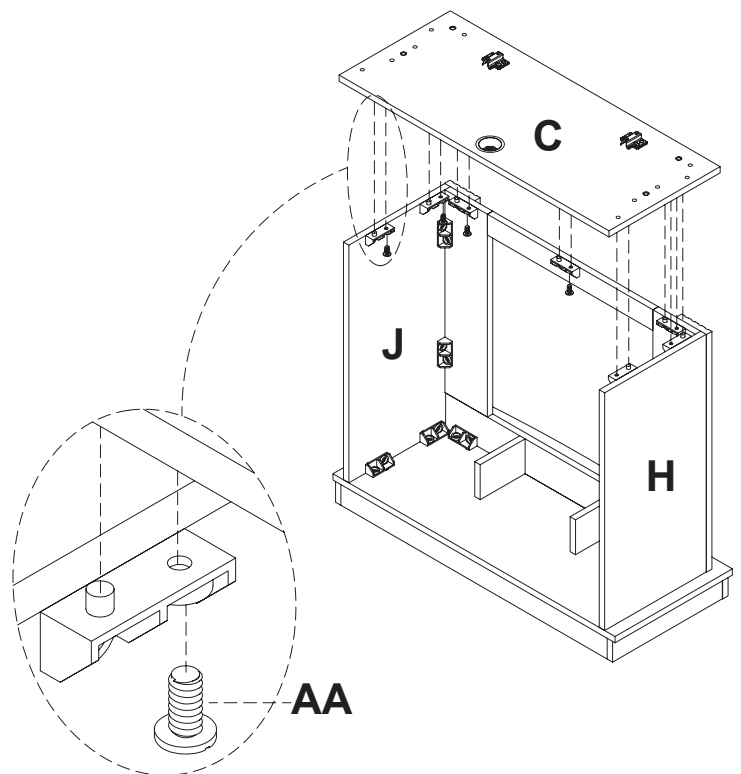
### 5 Attaching side panels to base

- Insert four wood dowels (BB) into the unthreaded holes in the base (B).
- Line up the four wood dowels (BB) in the base (B) with the unthreaded holes in the left and right side panels.
- Press left and right side panels down until flush.
- Insert four bolts (AA) into the connectors on the side panels and turn clockwise. Do not strip the bolts (AA) by overtightening.



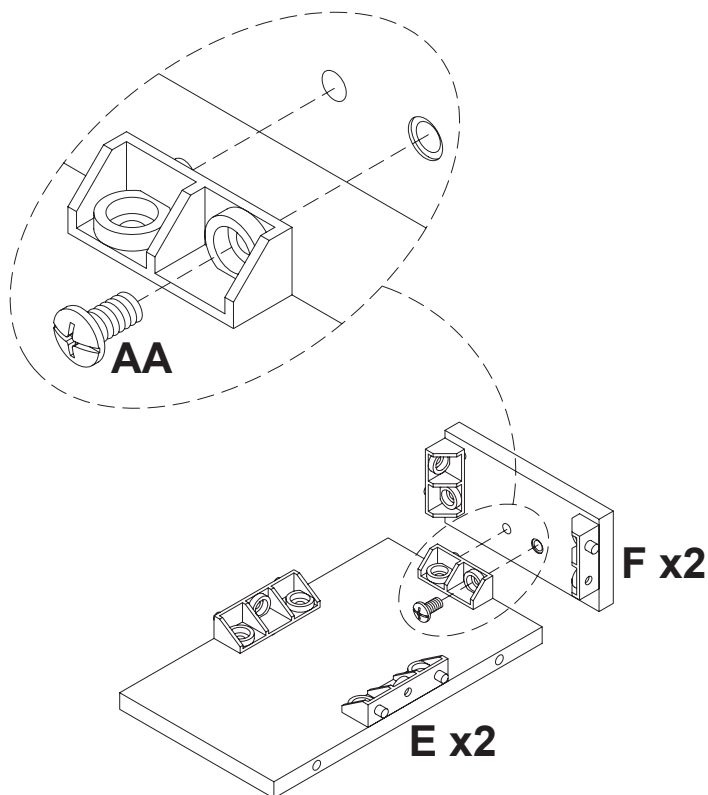
### 6 Attaching the media shelf

- Line up the connectors on the side panels (J & H) with holes on the media shelf (C).
- Attach the media shelf to the base assembly by inserting seven bolts (AA) through the connector in the side panels and turning clockwise. Do not strip the bolts (AA) by overtightening.



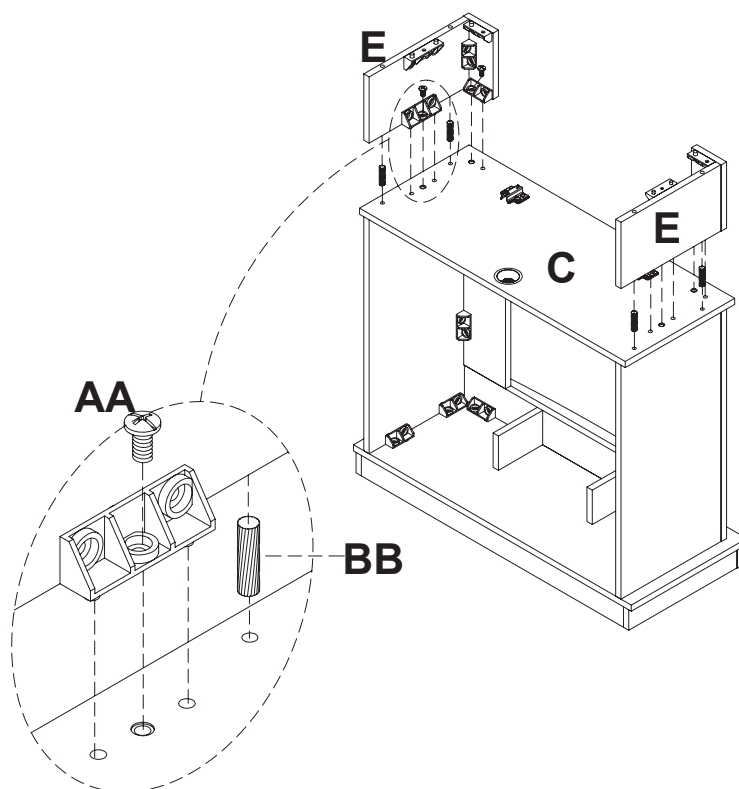
### 7 Attaching front and side panels

- Locate the upper side panels (E) and place on a soft surface to protect the finish.
- Insert two bolts (AA) into the connectors on the upper side panels (E) and turn clockwise. Do not strip the bolts (AA) by overtightening.



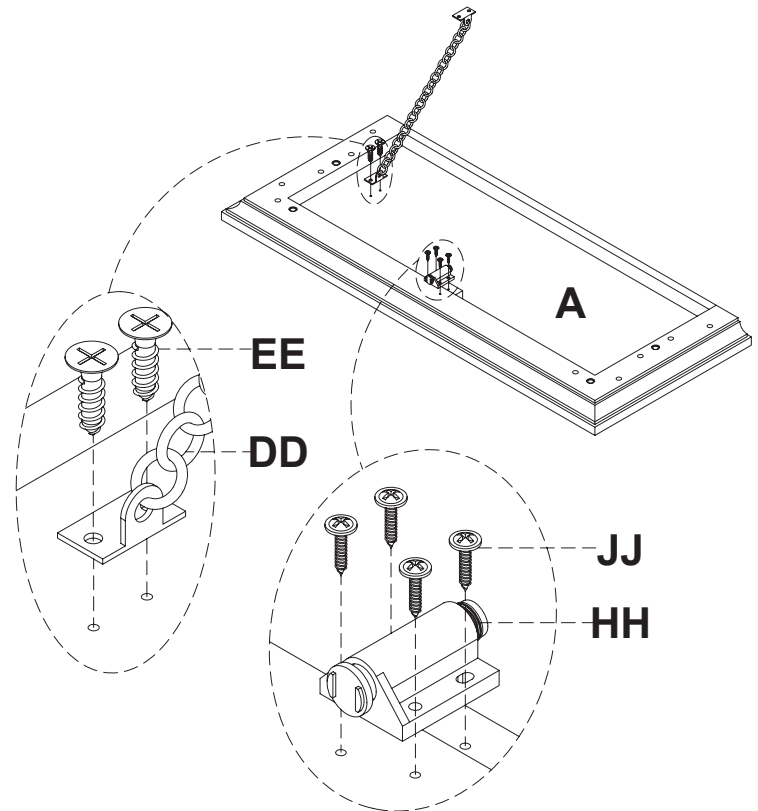
### 8 Attaching front and side panels to media shelf

- Insert four wood dowels (BB) into the unthreaded holes in the media shelf (C).
- Line up the four wood dowels (BB) in the media shelf with the unthreaded holes in the upper side panel (E).
- Press together firmly until flush.
- Insert four bolts (AA) into the connector on the upper side panels (E).
- Attach the upper side panels (E) to the media shelf (C) by turning the bolts (AA) clockwise. Do not strip the bolts (AA) by overtightening.



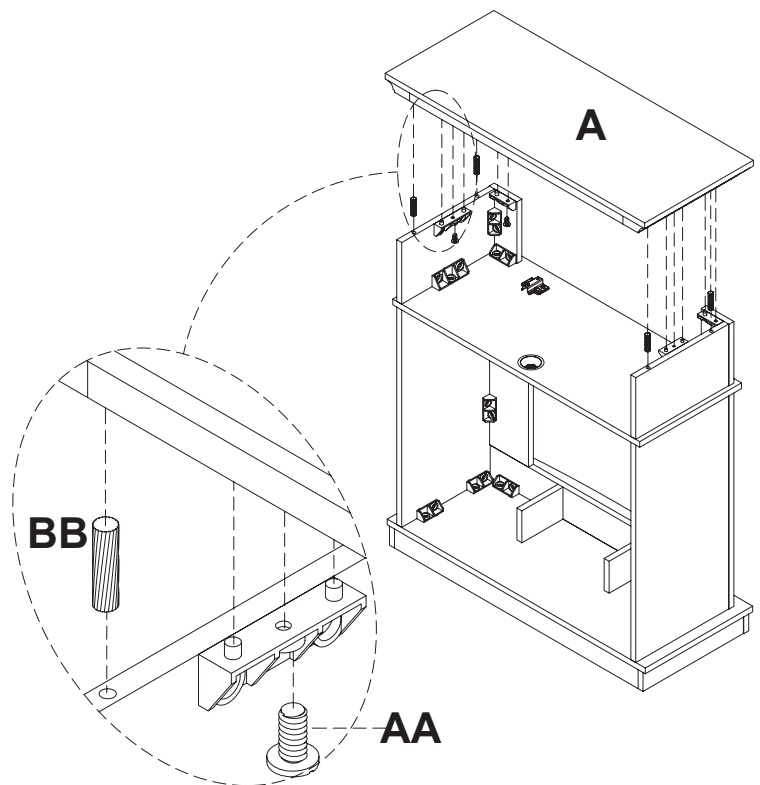
## 9 Preparing the top panel

- Locate the top panel (A) and place on a soft surface to protect the finish.
- Line chain (DD) holes up with holes located on bottom of top panel (A). Attach chain (DD) to top panel (A) by inserting two chain screws (EE) and turning clockwise. Do not strip the screws by overtightening.
- Attach magnetic catch (HH) to the top panel (A) by inserting four catch screws (JJ) and turning clockwise. Do not strip the screws (JJ) by overtightening.



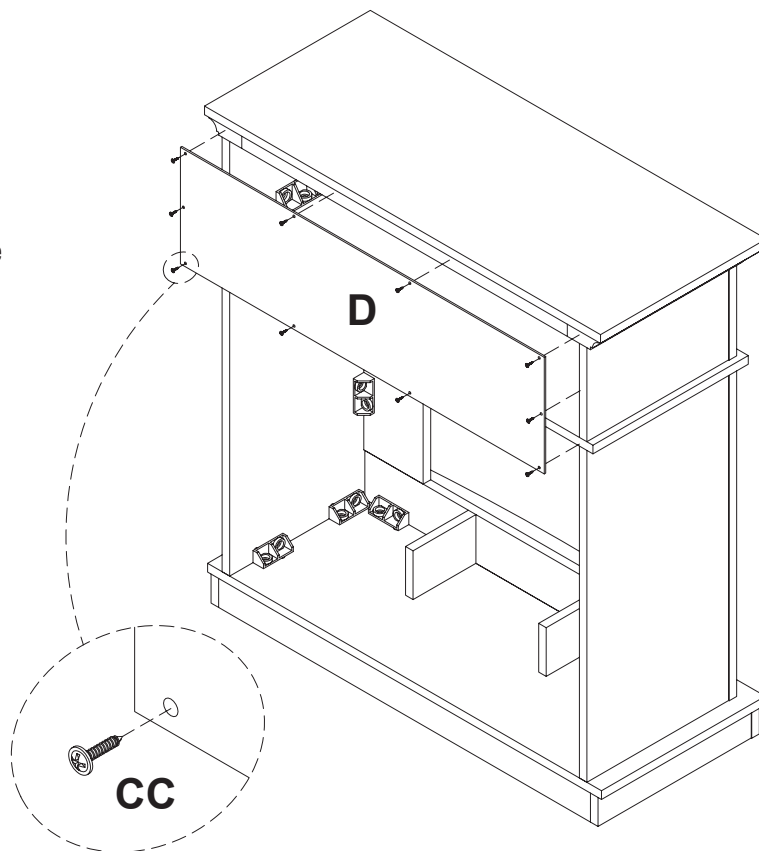
## 10 Attaching top panel to assembly

- Locate the top panel (A) and place on a soft surface to protect the finish.
- Insert four wood dowels (BB) into the unthreaded holes in the side panels.
- Line up the four wood dowels (BB) in the side panels with the unthreaded holes in the top panel (A).
- Press together firmly until flush.
- Insert four bolts (AA) into the connector on the upper side panels.
- Attach the upper side panels to the top panel (A) by turning the bolts (AA) clockwise. Do not strip the bolts (AA) by overtightening.



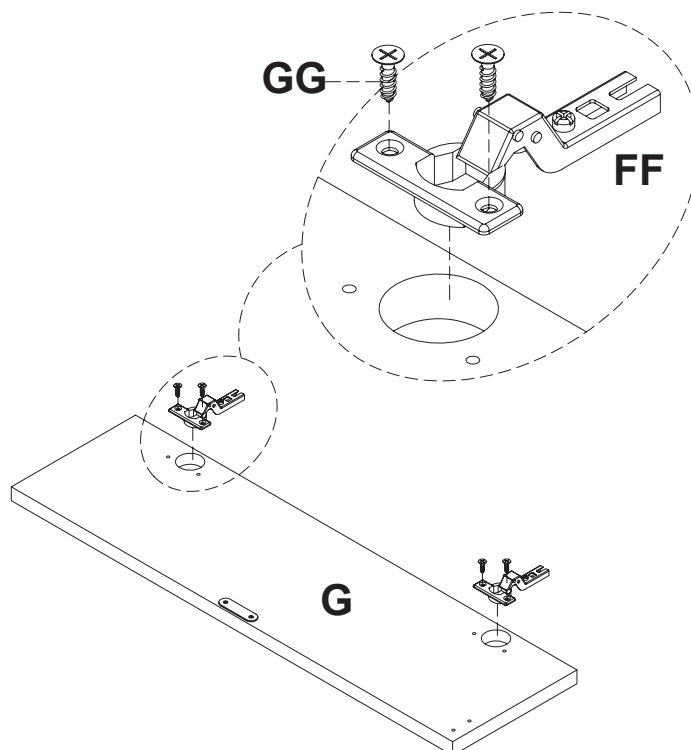
### 11 Attaching the back panels

- Locate the back panel (D) and line them up to the back of the media console with the finished side facing in.
- Insert and tighten ten back panel screws (CC) to attach the back panel (D) the media console.
- Do not strip the screws (CC) by overtightening.



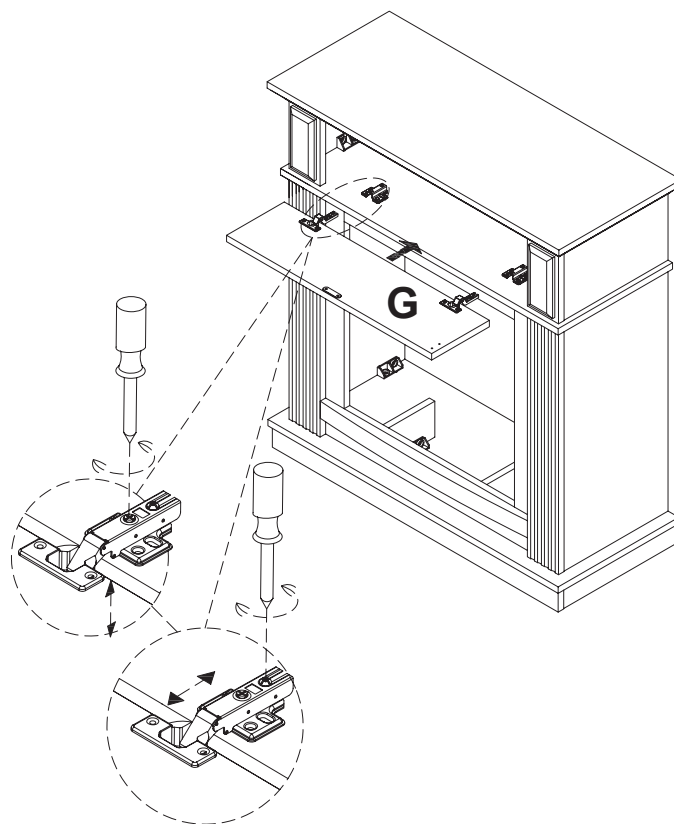
### 12 Attaching hardware onto the doors

- Locate the two cabinet doors (G) and place on a soft surface to protect the finish.
- Attach hinge (FF) to the cabinet doors (G) by inserting four hinge screws (GG) and turning clockwise. Do not strip the hinge screws (GG) by overtightening.



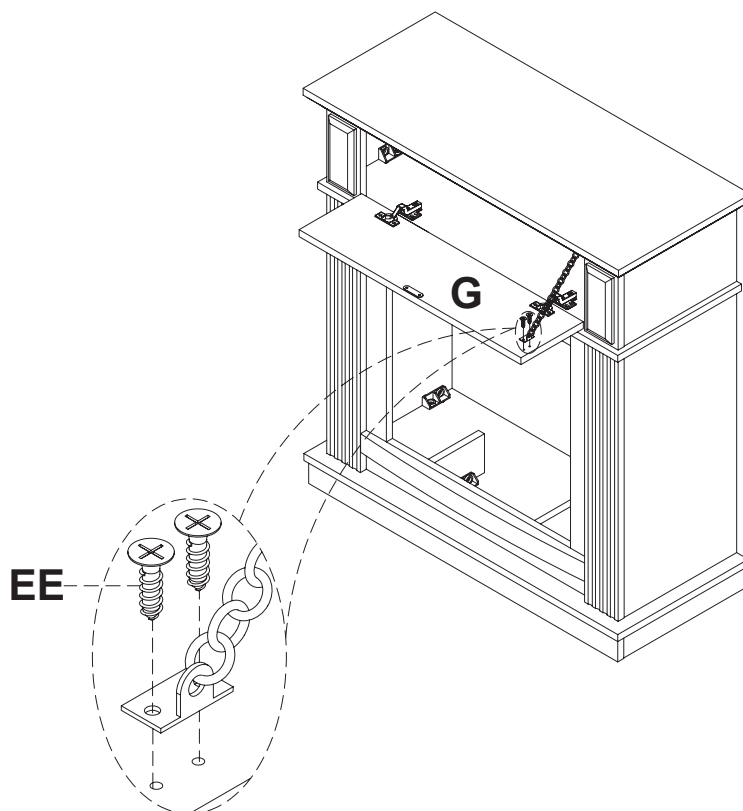
### 13 Attaching the media door

- Line up the hinges in door (G) with the hinge plates on the media shelf (C).
- Tighten the screws to attach the hinges to the hinge plates. Do not strip the screws by overtightening.



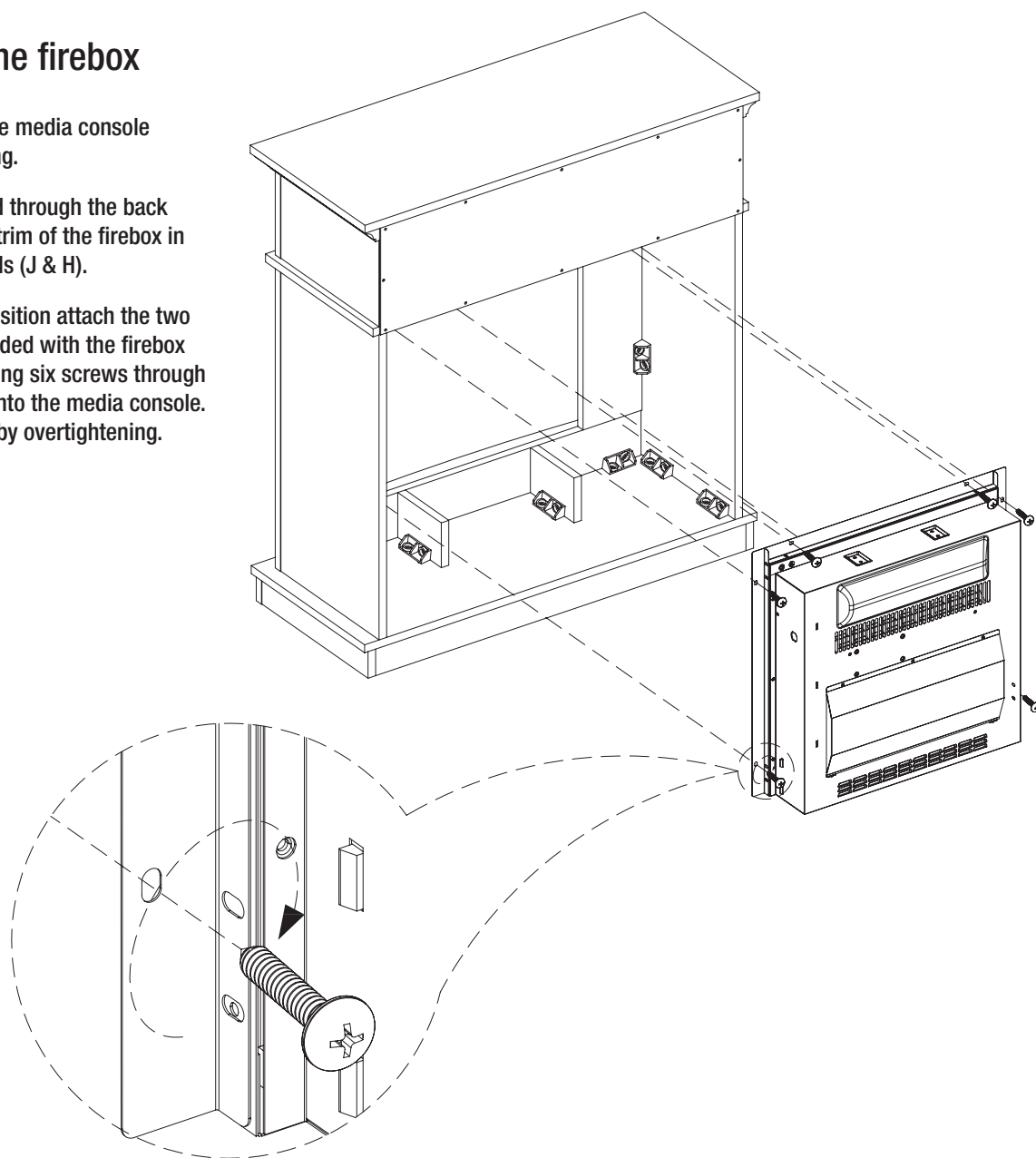
### 14 Attaching the chain

- Attach the chain from the inside of the top panel (A) to the door (G) inserting two chain screws (EE) and turning clockwise. Do not strip the chain screws (EE) by overtightening.



# 15 Installing the firebox

- Insert the firebox into the media console through the back opening.
- Push the firebox forward through the back opening until the metal trim of the firebox is flush with the side panels (J & H).
- Once the firebox is in position attach the two mounting brackets included with the firebox by inserting and tightening six screws through the mounting brackets into the media console. Do not strip the screws by overtightening.



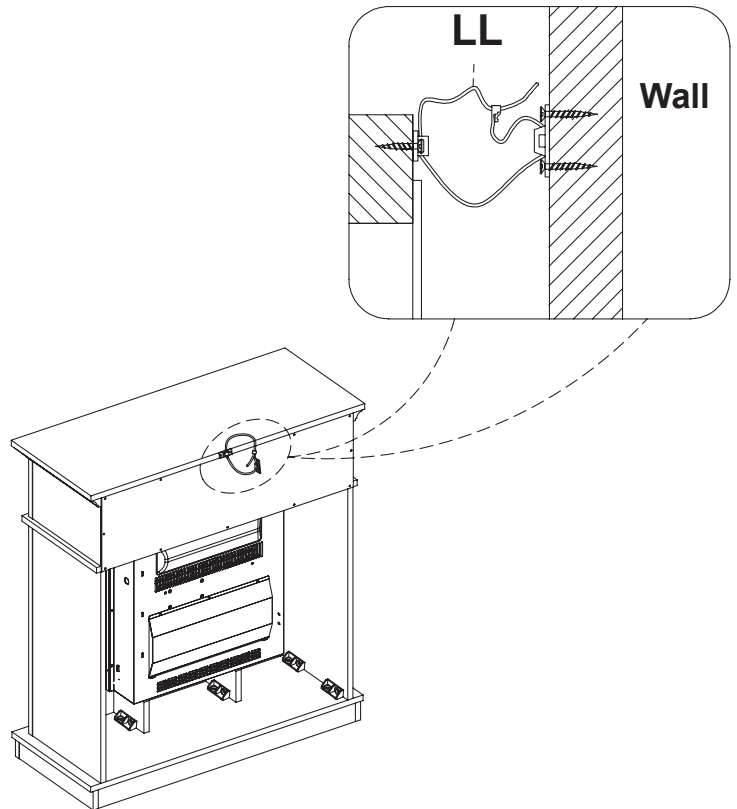
## Assembly (continued)

# 16 Anti-tip Device Installation



**DANGER:** This product is only a deterrent. It is not a substitute for proper adult supervision.

- Install the Anti-tip Device according to the installation instruction.



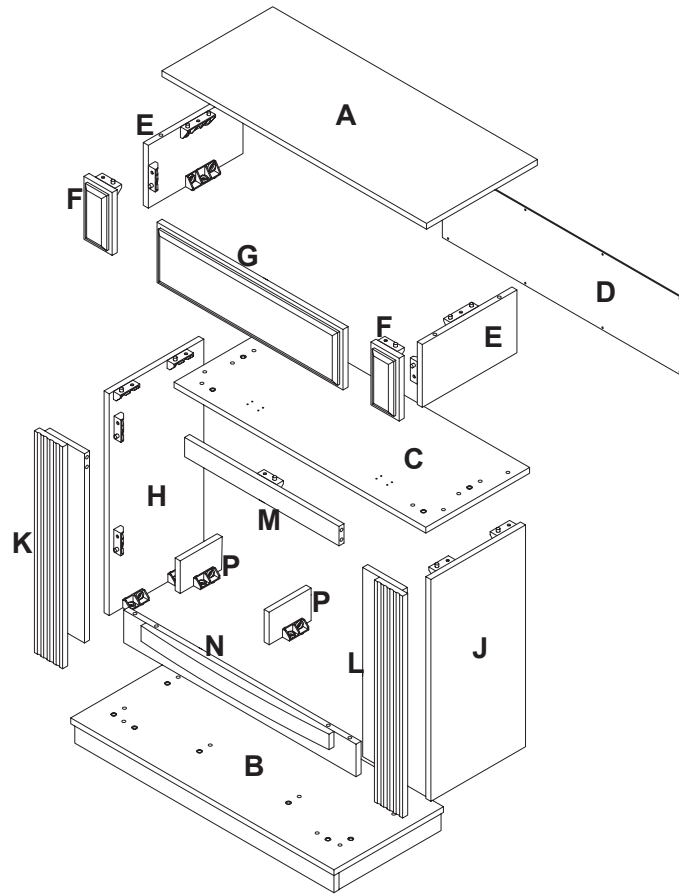
**WARNING:** You must install the tipping restraint hardware to help prevent any accidents or damage to the unit.

We strongly recommend mounting this hardware to a wall stud and your unit.

## Care & Cleaning

- Always turn the heater OFF and unplug the power cord from the outlet before cleaning.
- Cleaning of the control panel, located in the upper right-hand corner of the fireplace behind the sliding control panel cover, is to be done only using a soft cloth, slightly dampened in water (if needed, a small amount of dish soap can be added to the water) and dried using a clean, dry soft cloth. Cleaning of the screen diffuser is to be done using only water and lint free cloth. DO NOT use any abrasive cleaners on the diffusing screen.

# Service Parts



Part	Description	Quantity	Part Number 18-751-48 / 18-751-48-Y Espresso Finish	Part Number 18-751-93-Y Cherry Finish	Part Number 18-751-204-Y White Finish
A	Top Panel	1	20-01-018	20-01-032	20-01-046
B	Base Panel	1	20-01-019	20-01-033	20-01-047
C	Media Shelf	1	20-01-020	20-01-034	20-01-048
D	Back Panel	1	20-01-021	20-01-035	20-01-049
E	Upper Side Panel	2	20-01-022	20-01-036	20-01-050
F	Upper Front Panel	2	20-01-023	20-01-037	20-01-051
G	Door	1	20-01-024	20-01-038	20-01-052
H	Left Side Panel	1	20-01-025	20-01-039	20-01-053
J	Right Side Panel	1	20-01-026	20-01-040	20-01-054
K	Left Trim	1	20-01-027	20-01-041	20-01-055
L	Right Trim	1	20-01-028	20-01-042	20-01-056
M	Top Trim	1	20-01-029	20-01-043	20-01-057
N	Base Trim	1	20-01-030	20-01-044	20-01-058
P	Support Panel	2	20-01-031	20-01-045	20-01-059
	Hardware Pack	1	20-09-584	20-09-585	20-09-586
	Manual	1	20-10-329		



# Troubleshooting

If you have any questions regarding the product, please call Hampton Bay Customer Service, 855-HD-HAMPTON, 8 a.m. – 6 p.m. EST, Monday – Friday.

Problem	Possible Cause	Solution
The fireplace does not operate.	<ul style="list-style-type: none"> <li><input type="checkbox"/> The fireplace is not plugged in.</li> <li><input type="checkbox"/> A circuit breaker is tripped or a fuse blown.</li> <li><input type="checkbox"/> The ON/OFF switch is defective.</li> <li><input type="checkbox"/> There is loose wiring.</li> </ul>	<ul style="list-style-type: none"> <li><input type="checkbox"/> Make sure the fireplace is plugged in to a standard 120V outlet.</li> <li><input type="checkbox"/> Check additional appliances on the circuit; ideally the fireplace should be on a dedicated 15-amp circuit.</li> <li><input type="checkbox"/> Call customer service.</li> <li><input type="checkbox"/> Call customer service.</li> </ul>
The power light is ON but the flame effect is not visible.	<ul style="list-style-type: none"> <li><input type="checkbox"/> The fireplace is not operating correctly.</li> <li><input type="checkbox"/> There are loose light bulb(s).</li> <li><input type="checkbox"/> There are burnt out light bulb(s).</li> </ul>	<ul style="list-style-type: none"> <li><input type="checkbox"/> Refer to the operating instructions.</li> <li><input type="checkbox"/> Tighten the light bulb(s).</li> <li><input type="checkbox"/> Replace the light bulb(s).</li> </ul>
The heater is not operating.	<ul style="list-style-type: none"> <li><input type="checkbox"/> The fireplace is not operating correctly.</li> <li><input type="checkbox"/> The heater switch is defective.</li> <li><input type="checkbox"/> The heater assembly is defective.</li> <li><input type="checkbox"/> There is loose wiring.</li> <li><input type="checkbox"/> The vents are dirty or clogged.</li> </ul>	<ul style="list-style-type: none"> <li><input type="checkbox"/> Refer to the operating instructions.</li> <li><input type="checkbox"/> Call customer service.</li> <li><input type="checkbox"/> Call customer service.</li> <li><input type="checkbox"/> Call customer service.</li> <li><input type="checkbox"/> Unplug the unit. Clear the vent area of dust and debris. Wait ten minutes, plug the unit in again and turn on the heater.</li> </ul>
There is excessive noise when the heater is operating.	<ul style="list-style-type: none"> <li><input type="checkbox"/> The fan is defective.</li> <li><input type="checkbox"/> The heater assembly is defective.</li> </ul>	<ul style="list-style-type: none"> <li><input type="checkbox"/> Call customer service.</li> <li><input type="checkbox"/> Call customer service.</li> </ul>



Questions, problems, missing parts? Before returning to the store,  
call Hampton Bay Customer Service  
8 a.m.-6 p.m., EST, Monday-Friday

**855-HD-HAMPTON**

**HAMPTONBAY.COM**

Retain this manual for future use.

Manufactured by: GHP Group, Inc. • 6440 W. Howard St. • Niles, IL 60714-3302

Artículo # 1003132247  
# 1003054957  
# 1003063474  
# 1003063475

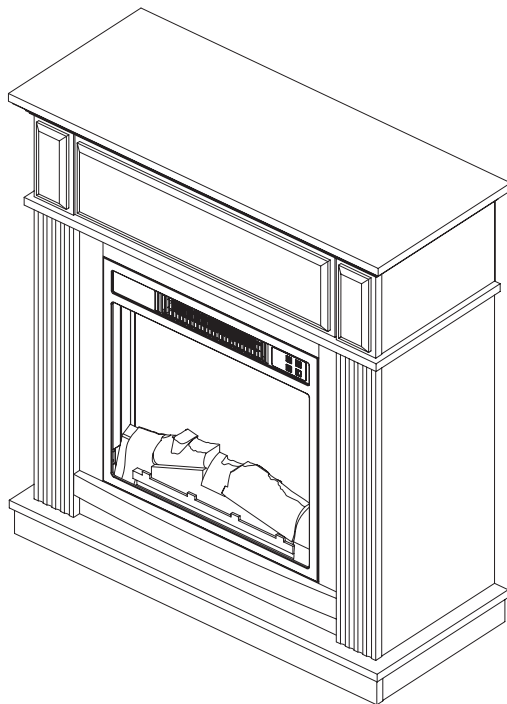


Modelo # 18-751-48  
# 18-751-48-Y  
# 18-751-93-Y  
# 18-751-204-Y

# GUÍA DE USO Y MANTENIMIENTO

---

## CHIMENEA POR INFRARROJOS COMPACTA



### INSTRUCCIONES IMPORTANTES

POR FAVOR LEE ESTE MANUAL ANTES DE INSTALAR Y USAR ESTE ELECTRODOMÉSTICO

#### ¡ADVERTENCIA!

SI LA INFORMACIÓN EN ESTE MANUAL NO SE SIGUE EXACTAMENTE,  
PUEDE PRODUCIRSE UNA DESCARGA ELÉCTRICA O INCENDIO, LO QUE PUEDE CAUSAR  
DAÑOS A LA PROPIEDAD, LESIONES PERSONALES O LA MUERTE.

INSTALADOR: Conserva este manual con el electrodoméstico.  
CONSUMIDOR: Conserva este manual para consultarlo en el futuro.

¿Preguntas, problemas o piezas faltantes? Antes de regresar a la tienda,  
llama al Servicio al Cliente de Hampton Bay de  
lunes a viernes entre 8 a.m. y 6 p.m., (hora del Este de EEUU)

**855-HD-HAMPTON HAMPTONBAY.COM**

#### GRACIAS

Apreciamos la confianza que ha depositado en Hampton Bay por la compra de esta estufa eléctrica. Nos esforzamos por crear continuamente productos de calidad diseñados para mejorar su hogar. Visitenos en internet para ver nuestra línea completa de productos disponibles para sus necesidades de mejorar su hogar. ¡Gracias por elegir a Hampton Bay!

# Índice

Tabla de contenido . . . . .	20	Contenido del paquete . . . . .	24
Información de Seguridad . . . . .	21	Ensamblaje . . . . .	25
Garantía . . . . .	22	Cuidado y limpieza . . . . .	33
Pre-ensamblaje . . . . .	23	Capacidad de carga de la repisa . . . . .	33
Planificación del ensamblaje . . . . .	23	Piezas de servicio . . . . .	34
Herramientas necesarias . . . . .	23	Resolución de fallas . . . . .	35
Piezas incluidas . . . . .	23		



**IMPORTANTE:** Lee todas las instrucciones y advertencias antes de comenzar la instalación. No seguir estas instrucciones puede resultar en una posible descarga eléctrica, lesiones a las personas, riesgo de incendio y anulará la garantía.

Por favor lee las Instrucciones de Instalación y Funcionamiento antes de usar este electrodoméstico.



## PRECAUCIÓN

PUEDE OCURRIR DAÑO DEL PRODUCTO.

Nunca intentes desensamblar o modificar el producto de ninguna forma que no se indique en este manual.



## ADVERTENCIA

Este producto puede exponerlo a sustancias químicas como el di(2-etilhexil) ftalato (DEHP) que, según el estado de California, puede provocar cáncer y daños del desarrollo.

**Para obtener más información, visite [www.p65Warnings.ca.gov](http://www.p65Warnings.ca.gov)**

# Información de Seguridad

Por favor lee este manual antes de instalar y usar este electrodoméstico.

- Lea todas las instrucciones antes de usar este electrodoméstico.
- Este electrodoméstico se calienta cuando está en uso. Para evitar quemaduras, no toques las partes calientes con la piel descubierta. Al moverlo, sujeta este electrodoméstico por las asas, si las tiene. Mantén los materiales inflamables, como muebles, almohadas, ropa de cama, papeles, ropa y cortinas al menos a 92 cm de distancia de la parte frontal de este electrodoméstico.



**PRECAUCIÓN:** Precauciones extremas son necesarias cuando cualquier calefactor sea utilizado por, o cerca de niños o personas discapacitadas, y cuando el calefactor se deje encendido sin supervisión.

- Si es posible, desconecta siempre este electrodoméstico cuando no esté en uso.
- No utilices ningún calefactor con un cable o enchufe dañado, o después de que este electrodoméstico falle, o haya sufrido caídas o daños de cualquier tipo.
- Cualquier reparación a este producto debe ser llevada a cabo por una persona de servicio calificada.
- Bajo ninguna circunstancia debe modificarse este electrodoméstico. Las piezas que necesitan retirarse para prestarles servicio deben ser reemplazadas antes de usar este electrodoméstico de nuevo.
- No usar en exteriores.
- Este calefactor no está diseñado para uso en baños, áreas de lavado y otros sitios interiores similares. Nunca coloques este electrodoméstico donde pueda caerse en una bañera o recipiente con agua.
- No uses este calefactor en lugares elevados, como estantes, plataformas elevadas, etc.
- No pasar el cable debajo de alfombras. No cubras el cable con tapetes, alfombras de pasillo o cubiertas similares. Coloca el cable lejos de las zonas de alto tráfico, donde alguien pueda enredarse con él y caer.
- Para desconectar este electrodoméstico, gira los controles a la posición de apagado, luego quita el enchufe del tomacorriente.
- Sólo conéctalo a tomacorrientes que estén apropiadamente conectados a tierra.
- Al instalar este electrodoméstico, debe conectarse a tierra de acuerdo con los códigos locales, con los códigos eléctricos canadienses actuales CSA C22.1 o para las instalaciones en EE. UU., cumplir con todos los códigos locales y el Código Nacional de Electricidad, ANSI/NFPA Núm. 70.
- No insertes, ni permitas que caigan objetos extraños en ninguna de las salidas de ventilación o escape; ello podría causar descargas eléctricas o incendios, o podría dañar el electrodoméstico.
- Para evitar posibles incendios, no bloquee las entradas o salidas de aire por ningún medio. No usar en superficies suaves, como una cama, donde las salidas puedan bloquearse.
- Este electrodoméstico tiene en su interior piezas calientes y que chispean. No lo uses en áreas en las que se guarda gasolina, pintura u otros líquidos inflamables. Este electrodoméstico no debe usarse como una estantería para secar ropa, ni para colgar medias o decoraciones de Navidad de él o cerca de él.
- Usa este electrodoméstico sólo de la manera en la que se describe en este manual. Cualquier otro tipo de uso distinto al recomendado por el fabricante puede causar incendios, descargas eléctricas o lesiones a personas.
- Siempre conecta los calefactores directamente al tomacorriente/receptáculo de pared. Siempre enchufe la unidad en un tomacorriente/ receptáculo de la pared. Nunca deben usarse una extensión eléctrica ni un tomacorriente de alimentación reubicable (tomacorriente/enchufe múltiple).
- No uses este calefactor si le faltan las patas o están dañadas o rotas.
- «GUARDA ESTAS INSTRUCCIONES»

# Garantía

---

## GARANTÍA DE 1 AÑO

### LO QUE ESTÁ CUBIERTO

El fabricante garantiza que su nueva estufa eléctrica está libre de defectos de fabricación y materiales por un periodo de un año a partir de la fecha de compra, sujeto a las siguientes condiciones y limitaciones.

Esta estufa eléctrica debe ser instalada y operada en todo momento de acuerdo con las instrucciones proporcionadas con el producto. Cualquier alteración, abuso intencionado, accidente o mal uso del producto anulará esta garantía. Esta garantía es intransferible y es hecha al propietario original, siempre que la compra fue hecha mediante un proveedor autorizado del fabricante. Esta garantía está limitada a la reparación o reemplazo de pieza(s) que se encuentren defectuosas en materiales o mano de obra, siempre que tal(es) pieza(s) hayan estado sujetas a condiciones normales de uso y servicio, luego de que dicho defecto sea confirmado por la inspección de fabricante. El fabricante puede, a su discreción, liberar de todas las obligaciones, con respecto a esta garantía mediante el reembolso del precio al por mayor de la(s) pieza(s) defectuosa(s).

### LO QUE NO ESTÁ CUBIERTO

Cualquier instalación, trabajo, construcción, transporte u otros costos/gastos que surjan de pieza(s) defectuosa(s), reparación, reemplazo u otra cosa similar, no será cubierta por esta garantía y tampoco el fabricante asumirá responsabilidad por lo mismo. Además, el fabricante no será responsable de ningún daño incidental, indirecto o consecuente, excepto como lo establezca la ley.

Todas las otras garantías, expresas o implícitas, con respecto al producto, sus componentes y accesorios, o cualquier obligación/responsabilidad civil sobre la pieza del fabricante, por la presente se excluyen expresamente. El fabricante tampoco asume, ni autoriza a ninguna tercera parte a asumir, en su nombre, cualquier otra responsabilidad civil con respecto a la venta de este producto. Las garantías como están descritas dentro de este documento, no aplican a accesorios que no son del fabricante usadas junto con la instalación de este producto.

Esta garantía no tiene validez si: la estufa ha sido operada en atmósferas contaminadas con cloro, flúor u otro químico dañino; la estufa está sujeta a periodos prolongados de humedad o condensación; la estufa es alterada, maltratada intencionalmente, dañada por accidente o usada incorrectamente en cualquier manera.

Si se necesita servicio de garantía, póngase en contacto con el Equipo de Servicio al Cliente llamando al 855-HD-HAMPTON de lunes a viernes de 8 a.m. a 6 p.m., hora local del Este o visite [www.hamptonbay.com](http://www.hamptonbay.com).

Asegúrese de tener su garantía, su recibo de venta y el número de modelo/serie de su producto.

**NO INTENTE HACER TRABAJO DE SERVICIO USTED MISMO.**

# Pre-ensamblaje

## PLANIFICACION DEL ENSAMBLAJE

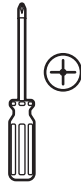
Para evitar rayar el acabado, ensamble este producto sobre una superficie suave no abrasiva, como una alfombra o cartones.

El ensamblaje de este producto puede requerir más de una persona.

## HERRAMIENTAS REQUERIDAS



Gafas de seguridad

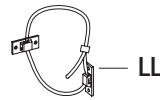
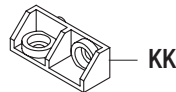
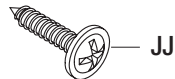
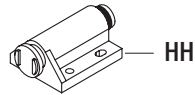
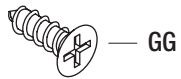
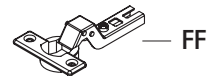
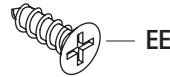
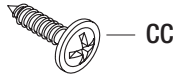
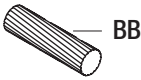
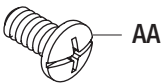


Desarmador Phillips

## PIEZAS INCLUIDAS



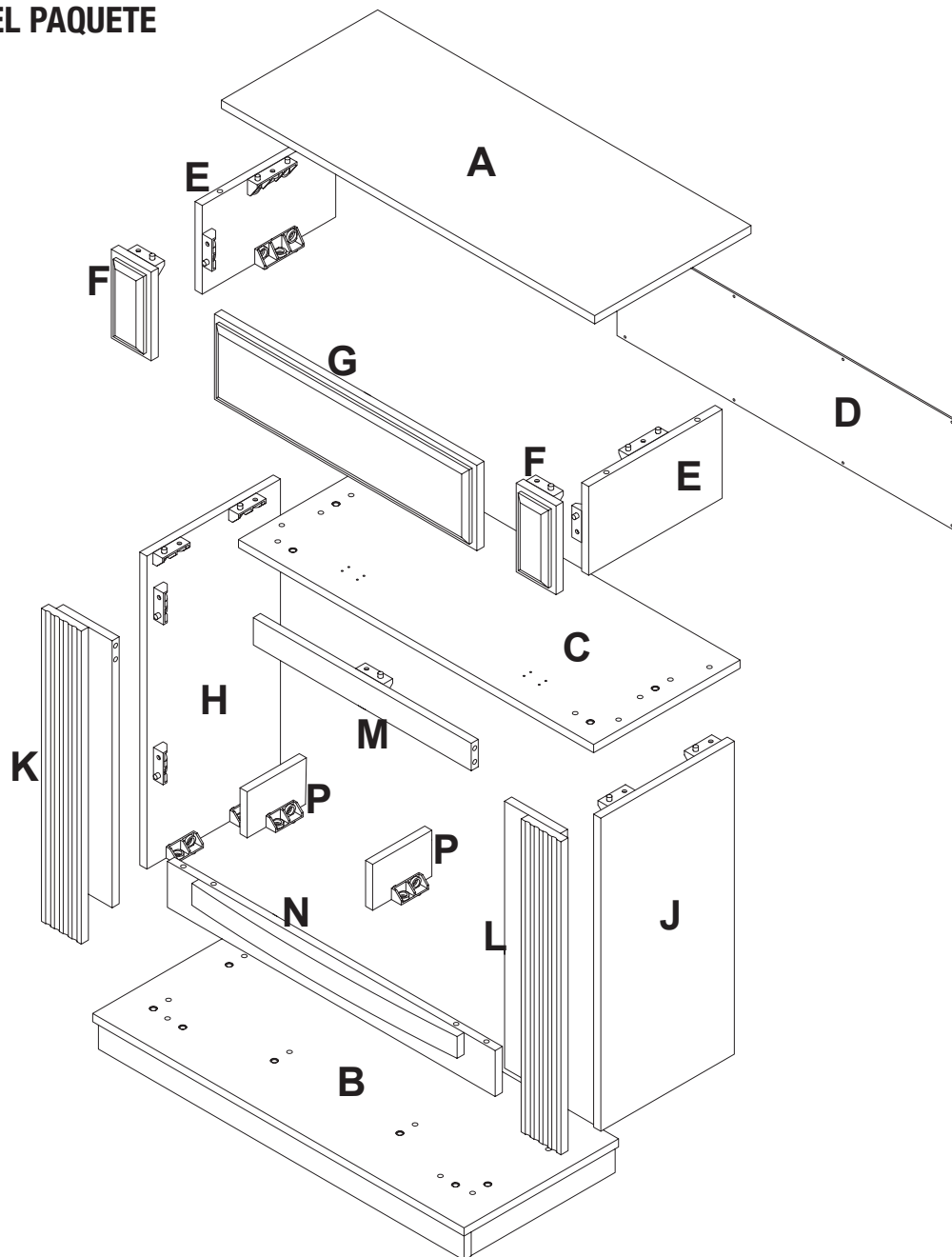
NOTA: Las herramientas son no mostradas en su tamaño real.



Pieza	Descripción	Cantidad
AA	Tornillo	34 + 2 extra
BB	Clavija	16 + 1 extra
CC	Panel posterior del tornillo	10 + 2 extra
DD	Cadena	1
EE	Tornillo de cadena	4
FF	Bisagra	2
GG	Tornillo de bisagra	4
HH	Pestillo magnético	1
JJ	Tornillo de pestillo	4
KK	Conector	5
LL	Soporte de montaje	1

## Pre-ensamblaje (continuación)

### CONTENIDO DEL PAQUETE



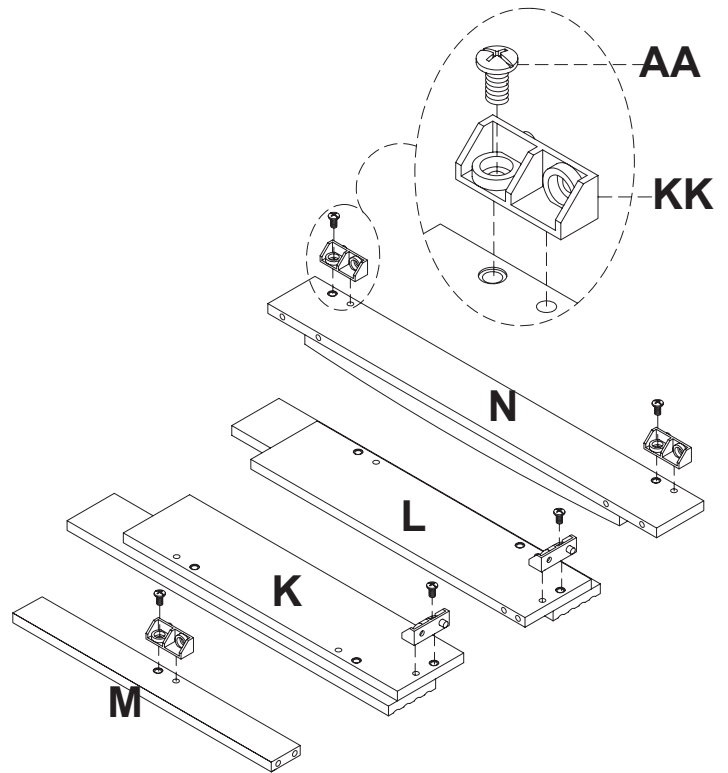
Part	Description	Quantity
A	Panel superior	1
B	Panel de base	1
C	Repisa multimedia	1
D	Panel trasero	1
E	Panel lateral superior	2
F	Panel frontal superior	2
G	Puerta	1

Part	Description	Quantity
H	Panel lateral izquierdo	1
J	Panel lateral derecho	1
K	Moldura izquierdo	1
L	Moldura derecho	1
M	Moldura superior	1
N	Moldura base	1
P	Panel de soporte	2



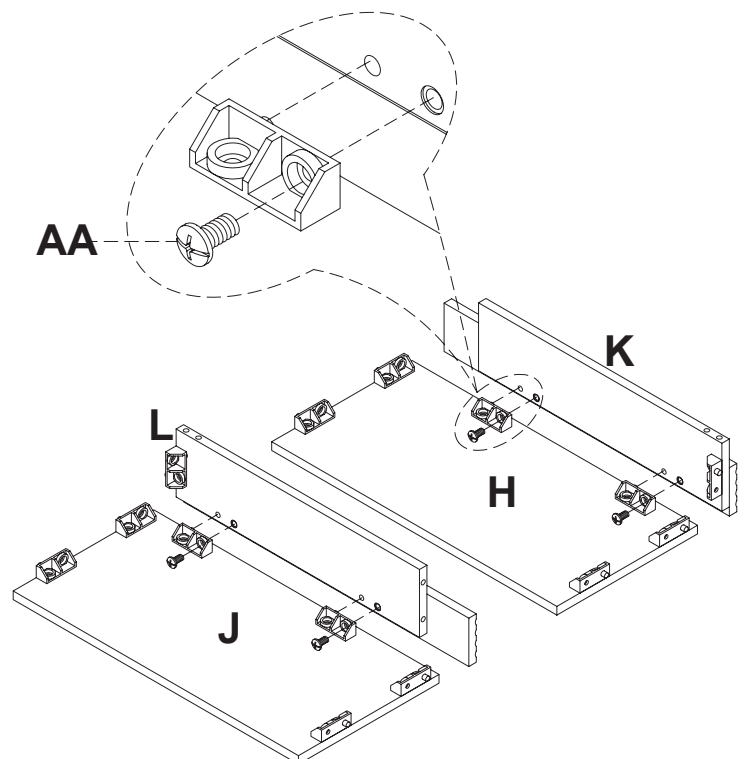
## 1 Colocación de los conectores

- Localice la moldura izquierda (K), moldura derecha (L), moldura superior (M) y moldura base (N) y colóquelas en una superficie suave para proteger el acabado.
- Coloque cinco conectores (KK) en la moldura izquierda (K), moldura derecha (L), moldura superior (M) y moldura base (N) girando los cinco tornillos (AA) en el sentido de las agujas del reloj a través de los conectores. No dañe los tornillos (AA) apretándolos demasiado.



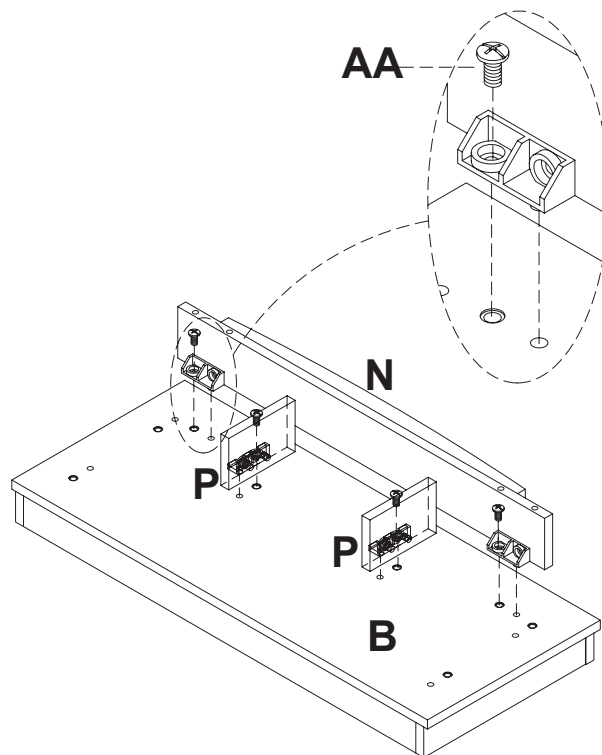
## 2 Colocación de las molduras en los paneles laterales

- Localice el panel lateral izquierdo (H) y panel lateral derecho (J) y colóquelos sobre una superficie suave para proteger el acabado.
- Fije la moldura izquierda (K) y la moldura derecha (L) a los paneles laterales (H y J) girando los tornillos (AA) en el sentido de las agujas del reloj a través de los conectores. No dañe los tornillos (AA) apretándolos demasiado.



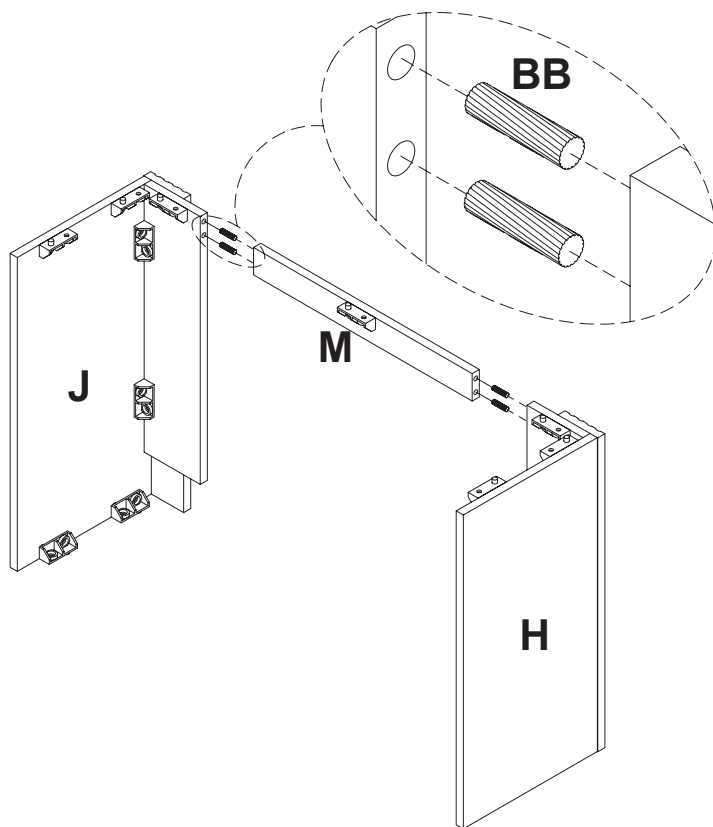
### 3 Colocación de la moldura base en el panel base

- Localice el panel base (B) y colóquelo sobre una superficie suave para proteger el acabado.
- Fije la moldura base (N) al panel base (B) girando cuatro tornillos (AA) en el sentido de las agujas del reloj a través de los conectores. No dañe los tornillos (AA) apretándolos demasiado.
- Fije los dos paneles de soporte (P) al panel base (B) girando cuatro tornillos (AA) en el sentido de las agujas del reloj a través de los conectores. No dañe los tornillos (AA) apretándolos demasiado.



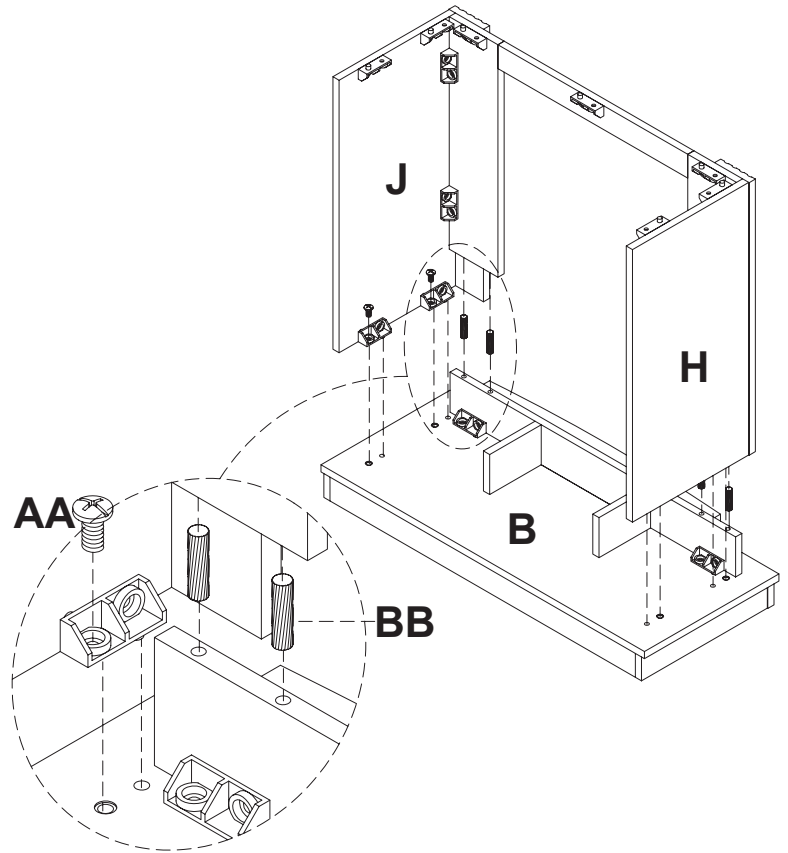
### 4 Colocación de la moldura superior en los paneles laterales

- Inserte cuatro clavijas de madera (BB) dentro de los orificios sin rosca en la moldura superior (M).
- Alinee las cuatro clavijas de madera (BB) en la moldura superior (M) con los orificios sin rosca en los paneles laterales izquierdo y derecho (J y H).
- Presiónelos uno contra otro firmemente hasta que estén al ras.
- Inserte ocho tornillos (AA) en los conectores en la repisa multimedia (C).
- Fije los paneles laterales izquierdo y derecho (J y H) a la repisa multimedia (C) girando los tornillos (AA) en el sentido de las agujas del reloj. No dañe los tornillos (AA) apretándolos demasiado.



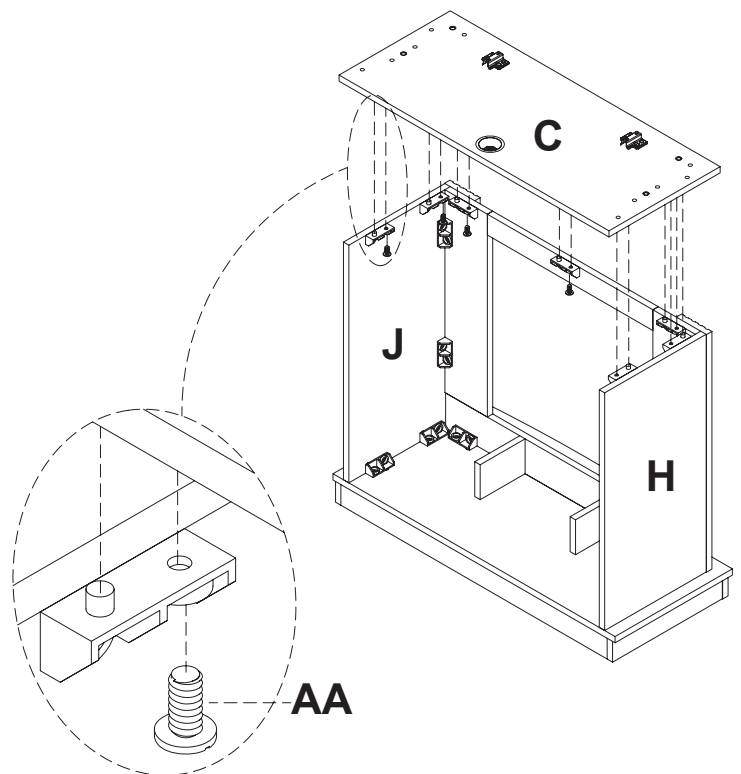
### 5 Colocación de los paneles laterales en la base

- Inserte cuatro clavijas de madera (BB) en los orificios sin rosca en la base (B).
- Alinee las cuatro clavijas de madera (BB) en la base (B) con los orificios sin rosca en los paneles laterales izquierdo y derecho.
- Presione los paneles laterales izquierdo y derecho uno contra otro firmemente hasta que estén al ras.
- Inserte cuatro tornillos (AA) en los conectores en los paneles laterales y gírelos en el sentido de las agujas del reloj. No dañe los tornillos (AA) apretándolos demasiado.



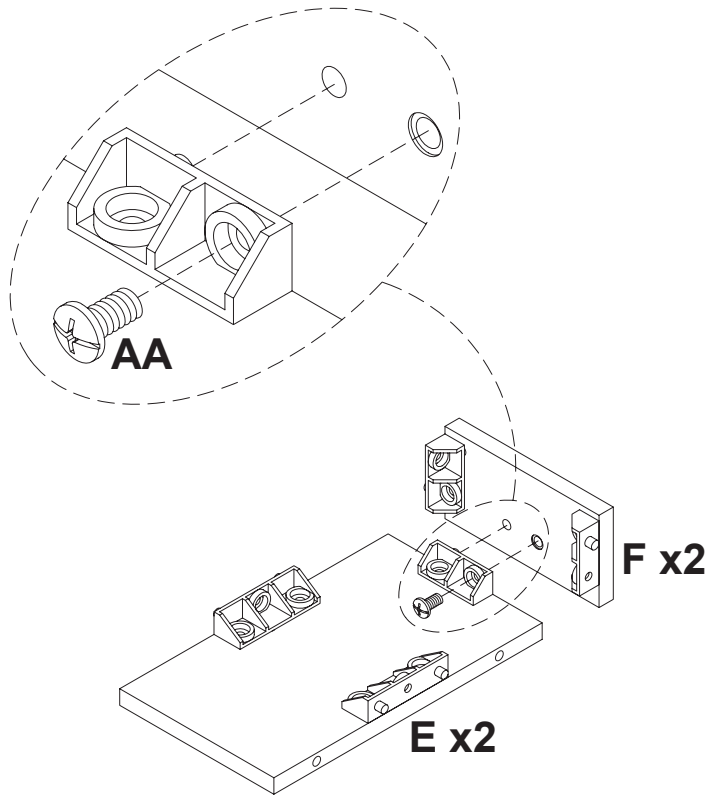
### 6 Colocación de la repisa multimedia

- Alinee los conectores en los paneles laterales (J y H) con los orificios en la repisa multimedia (C).
- Fije la repisa multimedia al ensamblaje de la base insertando siete tornillos (AA) a través de los conectores en los paneles laterales y girando en el sentido de las agujas del reloj. No dañe los tornillos (AA) apretándolos demasiado.



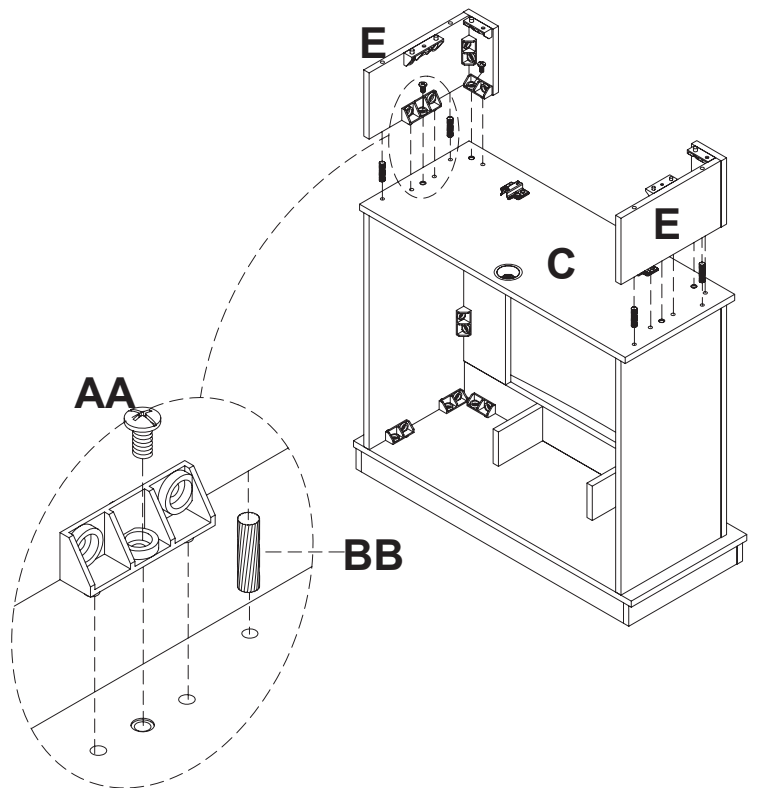
### 7 Colocación de los paneles frontales y laterales

- Localice los paneles laterales superiores (E) y colóquelos sobre una superficie suave para proteger el acabado.
- Inserte dos tornillos (AA) en los conectores en los paneles laterales superiores (E) y gírelos en el sentido de las agujas del reloj. No dañe los tornillos (AA) apretándolos demasiado.



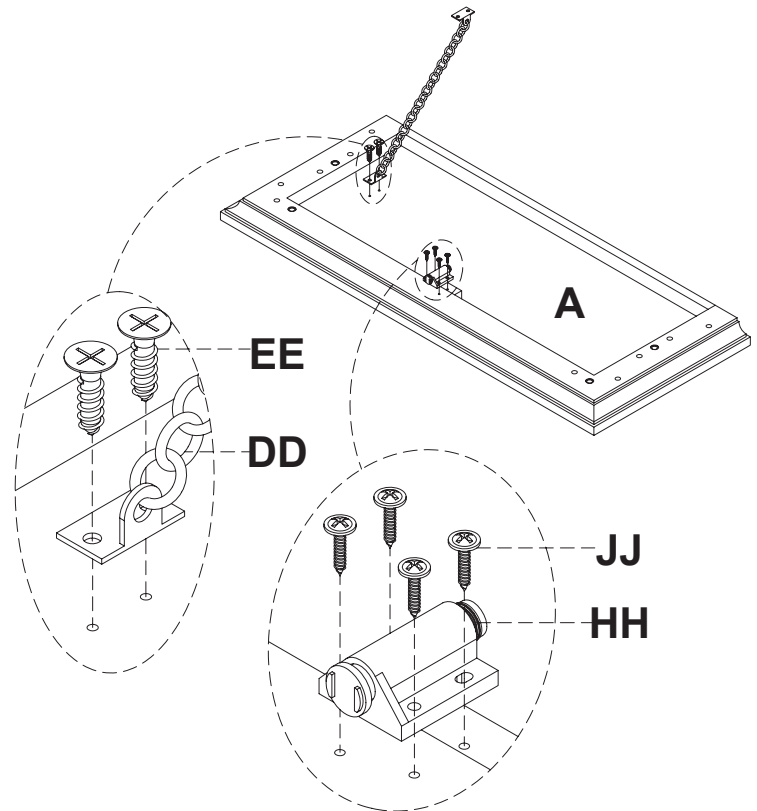
### 8 Colocación de los paneles frontales y laterales en la repisa multimedia

- Inserte cuatro clavijas de madera (BB) en los orificios sin rosca en la repisa multimedia (C).
- Alinee las cuatro clavijas de madera (BB) en la repisa multimedia con los orificios sin rosca en el panel lateral superior (E).
- Presiónelos uno contra otro firmemente hasta que estén al ras.
- Inserte cuatro tornillos (AA) en los conectores en los paneles laterales superiores (E).
- Fije los paneles laterales superiores (E) a la repisa multimedia (C) girando los tornillos (AA) en el sentido de las agujas del reloj. No dañe los tornillos (AA) apretándolos demasiado.



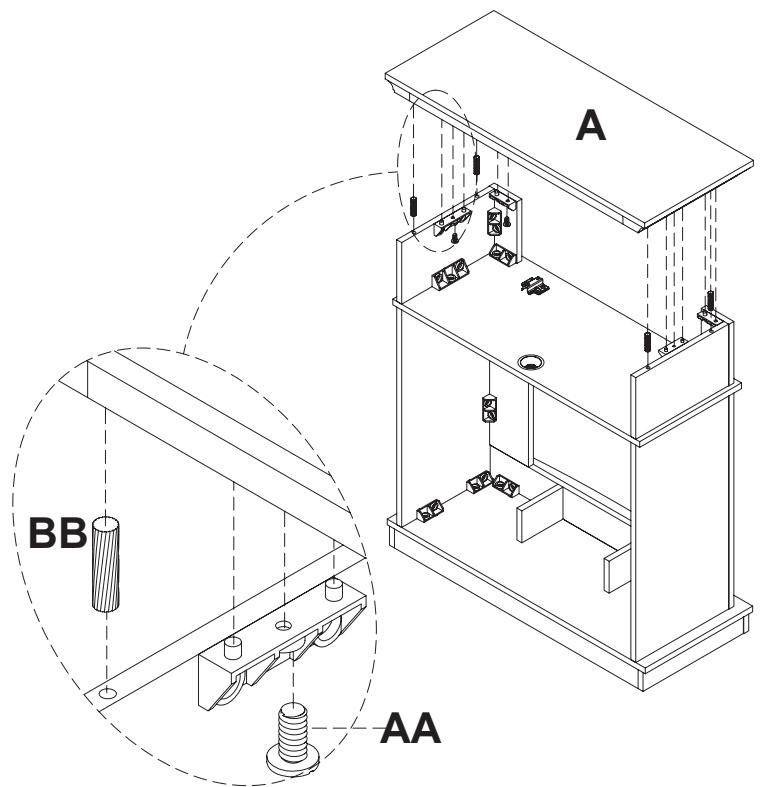
### 9 Preparación del panel superior

- Localice el panel superior (A) y colóquelo sobre una superficie suave para proteger el acabado.
- Alinee la cadena (DD) con los orificios mirando hacia arriba, con los orificios ubicados en la parte de abajo del panel superior (A). Fije la cadena (DD) al panel superior (A) insertando dos tornillos de cadena (EE) y girándolos en el sentido de las agujas del reloj. No dañe los tornillos de cadena apretándolos demasiado.
- Fije el pestillo magnético (HH) al panel superior (A) insertando cuatro tornillos de pestillo (JJ) y girándolos en el sentido de las agujas del reloj. No dañe los tornillos (JJ) apretándolos demasiado.



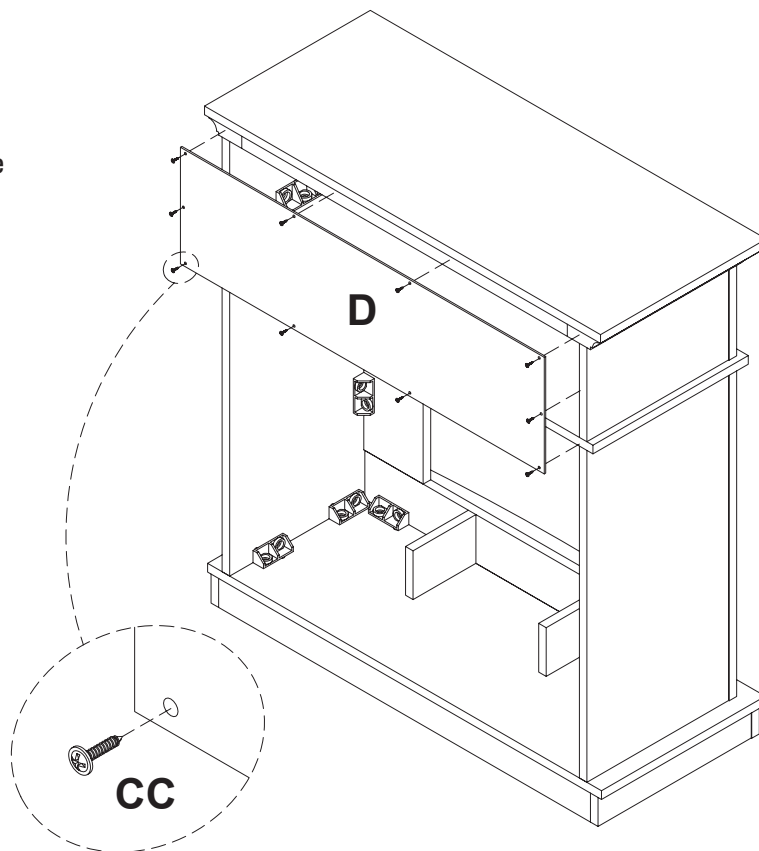
### 10 Colocación del panel superior

- Localice el panel superior (A) y colóquelo sobre una superficie suave para proteger el acabado.
- Inserte cuatro clavijas de madera (BB) dentro de los orificios sin rosca en los paneles laterales.
- Alinee las cuatro clavijas de madera (BB) en los paneles laterales con los orificios sin rosca en el panel superior (A).
- Presiónelos uno contra otro firmemente hasta que estén al ras.
- Inserte cuatro tornillos (AA) en los conectores en los paneles laterales superiores.
- Fije los paneles laterales superiores al panel superior (A) girando los tornillos (AA) en el sentido de las agujas del reloj. No dañe los tornillos (AA) apretándolos demasiado.



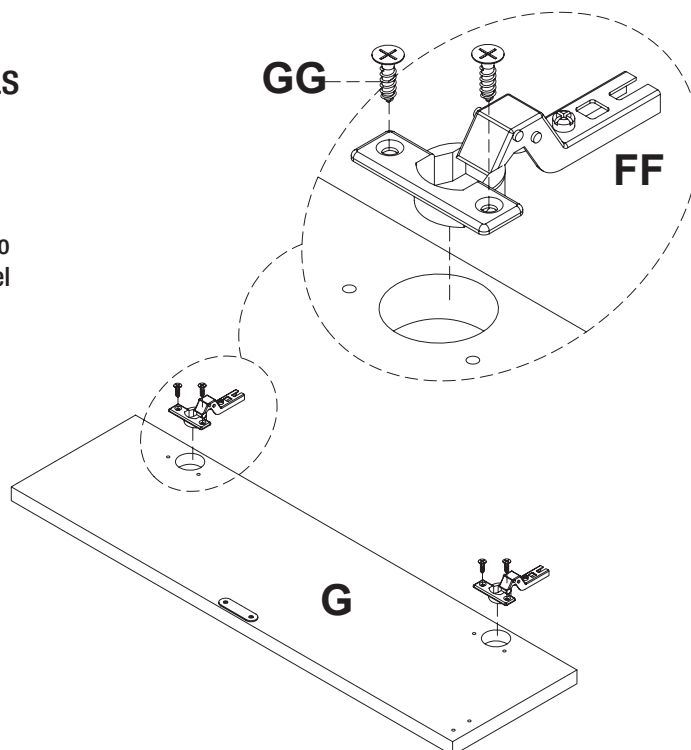
### 11 Colocación del panel trasero

- Localice el panel trasero (D) y alinéelo a la parte trasera de la consola multimedia con la cara con acabado mirando hacia adentro.
- Inserte y apriete diez tornillos de paneles posteriores (CC) para fijar el panel trasero (D) a la consola multimedia.
- No dañe los tornillos (CC) apretándolos demasiado.



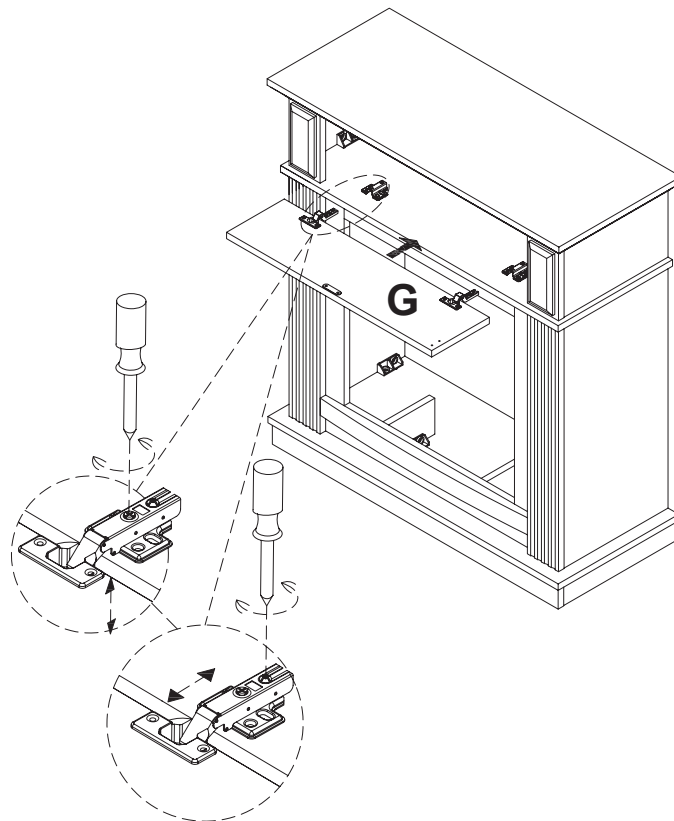
### 12 Colocación de herraje en las puertas

- Localice las dos puertas del mueble (G) y colóquelas sobre una superficie suave para proteger el acabado.
- Fije bisagras (FF) a las puertas del mueble (G) insertando cuatro tornillos de bisagra (GG) y gírelas en el sentido de las agujas del reloj. No dañe los tornillos (GG) apretándolos demasiado.



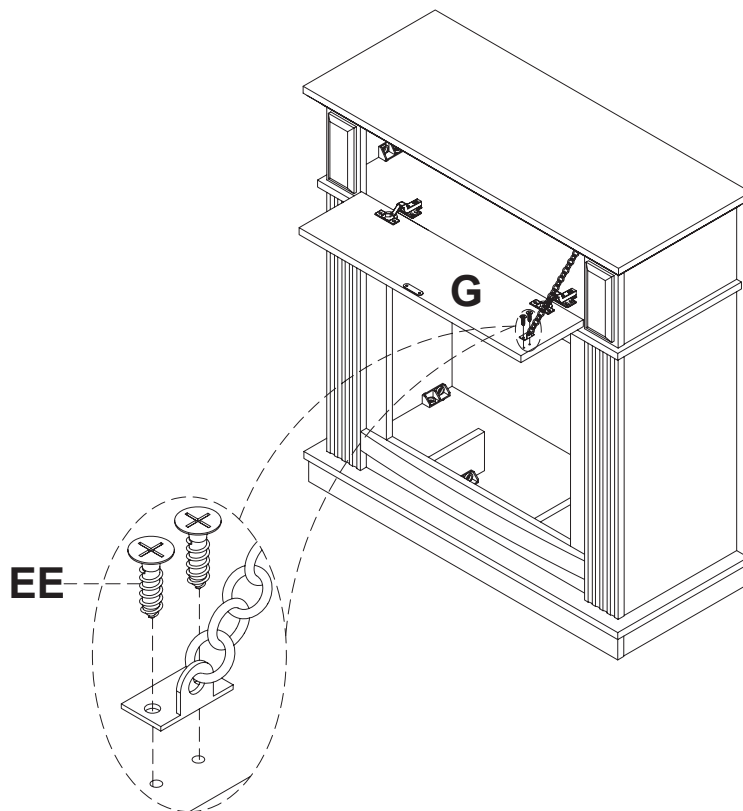
### 13 Colocación de la puerta multimedia

- Alinee las bisagras en la puerta (G) con las placas de bisagra en la repisa multimedia (C).
- Apriete los tornillos para fijar las bisagras a las placas de bisagra. No dañe los tornillos apretándolos demasiado.



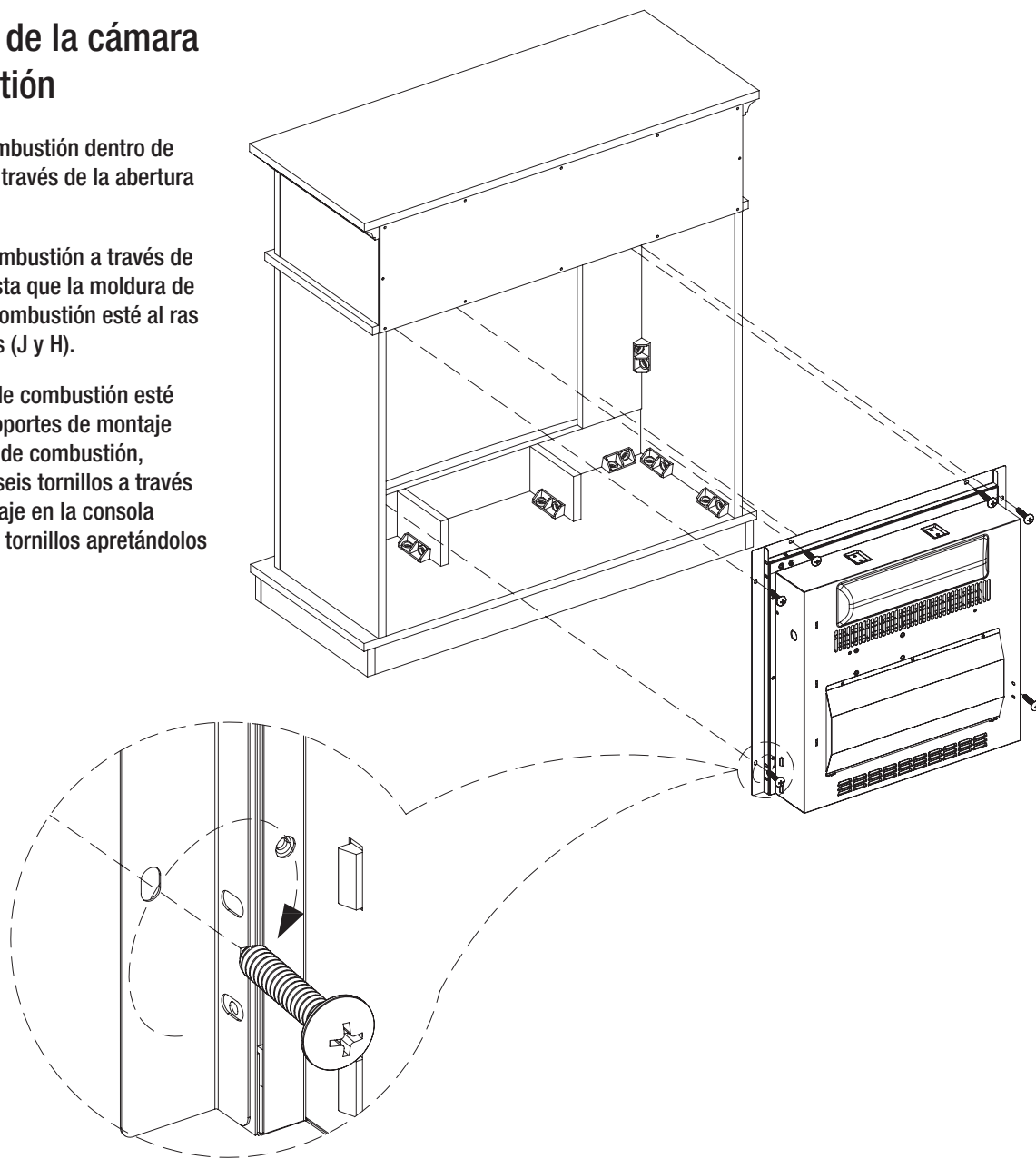
### 14 Colocación de la cadena

- Fije la cadena desde la parte interior del panel superior (A) a la puerta (G) insertando dos tornillos de cadena (EE) y girándolos en el sentido de las agujas del reloj. No dañe los tornillos de cadena (EE) apretándolos demasiado.



### 15 Instalación de la cámara de combustión

- Inserte la cámara de combustión dentro de la consola multimedia a través de la abertura posterior.
- Empuje la cámara de combustión a través de la abertura posterior hasta que la moldura de metal de la cámara de combustión esté al ras con los paneles laterales (J y H).
- Una vez que la cámara de combustión esté en su sitio fije los dos soportes de montaje incluidos con la cámara de combustión, insertando y apretando seis tornillos a través de los soportes de montaje en la consola multimedia. No dañe los tornillos apretándolos demasiado.



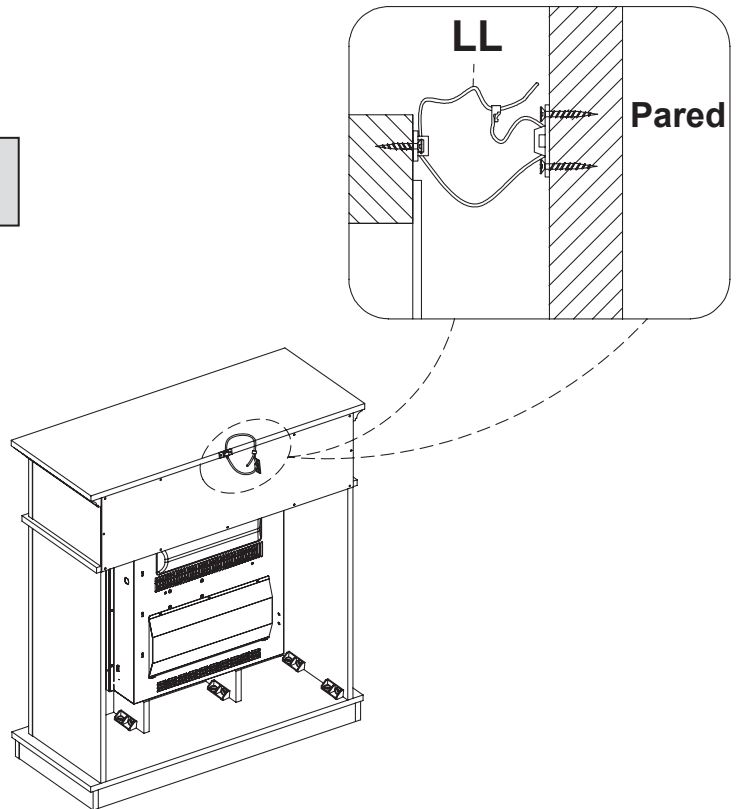


## Ensamblaje (continuación)

# 16 Instalación de dispositivo anti-tip

**!** **PELIGRO:** Este producto es solo un disuasivo. No es un sustituto de supervisión apropiada de un adulto.

- Instale el dispositivo antivuelco de acuerdo con las instrucciones de instalación.

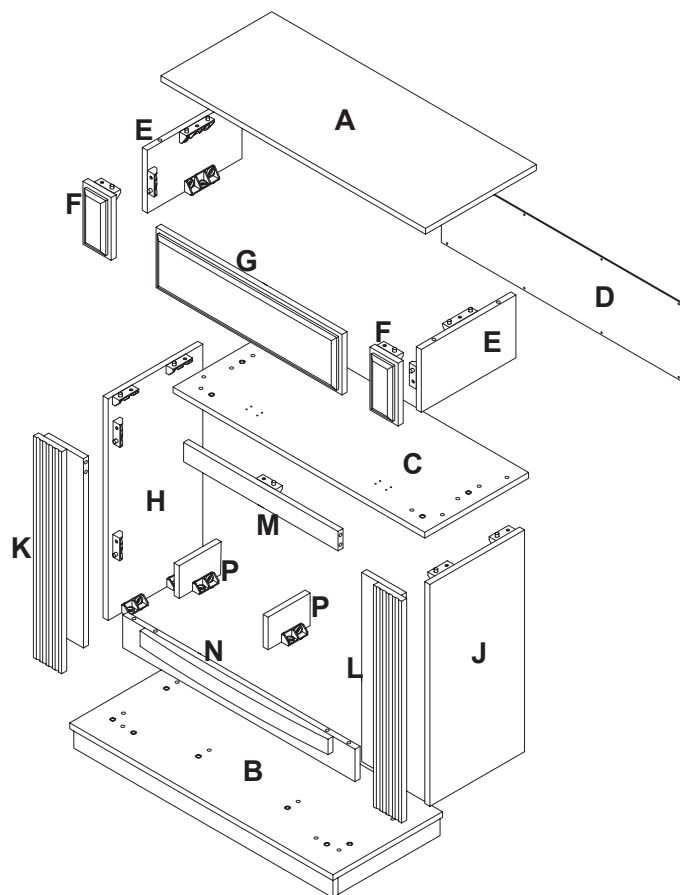


**!** **ADVERTENCIA:** Debe instalar el Herraje contra Caidas para evitar accidentes o que se dañe la unidad. Recomendamos montar estos herrajes a un taco de pared y a la Unidad.

## Cuidado y limpieza

- Siempre apague el calefactor y desconecte el cable eléctrico del tomacorriente antes de limpiarlo.
- La limpieza del panel de control, localizado en la esquina superior derecha de la chimenea, debe hacerse usando solamente un paño suave, ligeramente humedecido en agua (de ser necesario, se puede agregar una pequeña cantidad de jabón de platos al agua) y secarse usando un paño suave limpio y seco. La limpieza del difusor de rejilla debe hacerse usando solamente agua y un paño libre de pelusa. NO use controles abrasivos y la rejilla de difusión.

## Piezas de servicio



Pieza	Descripción	Cant.	Pieza 18-751-48 / 18-751-48-Y Acabado espresso	Pieza 18-751-93-Y Acabado cereza	Pieza 18-751-204-Y Acabado blanco
A	Panel superior	1	20-01-018	20-01-032	20-01-046
B	Panel de base	1	20-01-019	20-01-033	20-01-047
C	Repisa multimedia	1	20-01-020	20-01-034	20-01-048
D	Panel trasero	1	20-01-021	20-01-035	20-01-049
E	Panel lateral superior	2	20-01-022	20-01-036	20-01-050
F	Panel frontal superior	2	20-01-023	20-01-037	20-01-051
G	Puerta	1	20-01-024	20-01-038	20-01-052
H	Panel lateral izquierdo	1	20-01-025	20-01-039	20-01-053
J	Panel lateral derecho	1	20-01-026	20-01-040	20-01-054
K	Moldura izquierdo	1	20-01-027	20-01-041	20-01-055
L	Moldura derecho	1	20-01-028	20-01-042	20-01-056
M	Moldura superior	1	20-01-029	20-01-043	20-01-057
N	Moldura base	1	20-01-030	20-01-044	20-01-058
P	Panel de soporte	2	20-01-031	20-01-045	20-01-059
	Paquete de herrajes	1	20-09-584	20-09-585	20-09-586
	Manual	1		20-10-329	

## Resolución de fallas

Si tiene preguntas respecto al producto, llame a Servicio al Cliente de Hampton Bay, al 855-HD-HAMPTON, de 8 a.m. a 6 p.m., hora local del Este de lunes a viernes.

Problema	Causa posible	Solución
La chimenea no funciona.	<ul style="list-style-type: none"> <li><input type="checkbox"/> La chimenea no está enchufada.</li> <li><input type="checkbox"/> Un disyuntor de circuito se ha activado o un fusible ha explotado.</li> <li><input type="checkbox"/> El interruptor ON/OFF está defectuoso.</li> <li><input type="checkbox"/> Hay un cable flojo.</li> </ul>	<ul style="list-style-type: none"> <li><input type="checkbox"/> Asegúrese de que la chimenea esté enchufada en un tomacorriente estándar de 120V.</li> <li><input type="checkbox"/> Revise los electrodomésticos adicionales en el circuito; idealmente, la chimenea debe estar en un circuito dedicado de 15 Amperios.</li> <li><input type="checkbox"/> Llame a Servicio al Cliente.</li> <li><input type="checkbox"/> Llame a Servicio al Cliente.</li> </ul>
La luz de energía está encendida pero el efecto de la llama no es visible.	<ul style="list-style-type: none"> <li><input type="checkbox"/> La chimenea no está funcionando correctamente.</li> <li><input type="checkbox"/> Hay bombilla(s) floja(s).</li> <li><input type="checkbox"/> Hay bombilla(s) quemada(s).</li> </ul>	<ul style="list-style-type: none"> <li><input type="checkbox"/> Consulte las instrucciones de operación.</li> <li><input type="checkbox"/> Apriete la(s) bombilla(s).</li> <li><input type="checkbox"/> Reemplace la(s) bombilla(s).</li> </ul>
El calefactor no está funcionando.	<ul style="list-style-type: none"> <li><input type="checkbox"/> La chimenea no está funcionando correctamente.</li> <li><input type="checkbox"/> El interruptor del calefactor está defectuoso.</li> <li><input type="checkbox"/> El ensamblaje del calefactor está defectuoso.</li> <li><input type="checkbox"/> Hay un cable flojo.</li> <li><input type="checkbox"/> Los respiraderos están sucios u obstruidos.</li> </ul>	<ul style="list-style-type: none"> <li><input type="checkbox"/> Consulte las instrucciones de operación.</li> <li><input type="checkbox"/> Llame a Servicio al Cliente</li> <li><input type="checkbox"/> Llame a Servicio al Cliente</li> <li><input type="checkbox"/> Llame a Servicio al Cliente</li> <li><input type="checkbox"/> Desconecte la unidad. Limpie el área del respiradero de polvo y desechos. Espere diez minutos, enchufe la unidad de nuevo y encienda el calefactor.</li> </ul>
Hay ruido excesivo cuando el calefactor está funcionando.	<ul style="list-style-type: none"> <li><input type="checkbox"/> El ventilador está defectuoso.</li> <li><input type="checkbox"/> El ensamblaje del calefactor está defectuoso.</li> </ul>	<ul style="list-style-type: none"> <li><input type="checkbox"/> Llame a Servicio al Cliente.</li> <li><input type="checkbox"/> Llame a Servicio al Cliente.</li> </ul>



¿Preguntas, problemas o piezas faltantes? Antes de regresar a la tienda,  
llama al Servicio al Cliente de Hampton Bay de  
lunes a viernes entre 8 a.m. y 6 p.m., (hora del Este de E.E. U.U.)

**855-HD-HAMPTON**

**HAMPTONBAY.COM**

Conserva este manual para uso en el futuro.

Fabricado por: GHP Group, Inc. • 6440 W. Howard St. • Niles, IL 60714-3302