



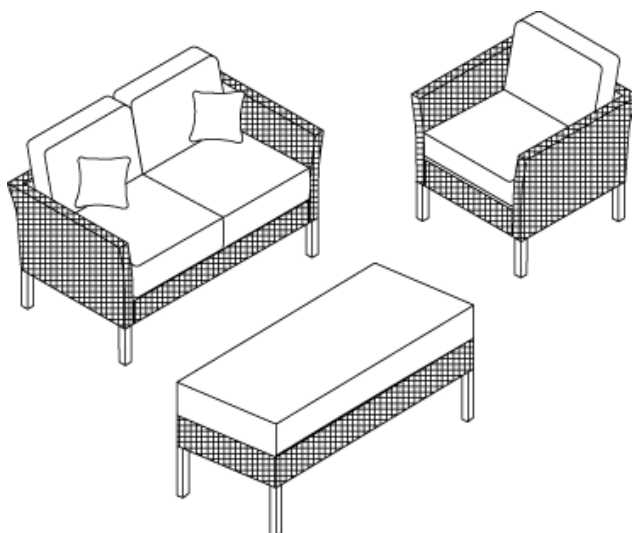
Item:# 1000 317 826

Model # D9131-4PCKD

## USE AND CARE GUIDE

---

### FENTON 4PC SEATING SET



**Questions, problems, missing parts? Before returning to the store,**

**call Hampton Bay Customer Service**

8 a.m. - 7 p.m., EST, Monday-Friday

9 a.m. - 6 p.m., EST, Saturday

**1-855-HD-HAMPTON**

**HAMPTONBAY.COM**

---

#### **THANK YOU**

*We appreciate the trust and confidence you have placed in Hampton Bay through the purchase of this 4pc seating set. We strive to continually create quality products designed to enhance your home. Visit us online to see our full line of products available for your home improvement needs. Thank you for choosing Hampton Bay!*

# Table of Contents

Table of Contents.....	2	Assembly .....	7
Safety Information.....	2	Care and Cleaning .....	10
Warranty.....	2		
What is Covered .....	2		
What is Not Covered .....	2		
Pre-Assembly .....	3		
Planning Assembly.....	3		
Hardware Included.....	3		
Table Package Contents.....	4		
Lounge Chair Package Contents .....	5		
Loveseat Package Contents.....	6		

# Safety Information



**WARNING:** Do not sit or stand on the table top.



**WARNING:** Do not place heavy items on the table top.

# Warranty

**THIS IS A RESIDENTIAL WARRANTY ONLY AND THIS WARRANTY DOES NOT APPLY TO COMMERCIAL USE**

**2 YEAR FRAME, RESIN WEAVE AND FABRIC LIMITED WARRANTY**

## WHAT IS COVERED

We warrant the frame, resin weave and fabric to be free of manufacturing defects to the original purchaser for two years.

## WHAT IS NOT COVERED

It remains the customer's responsibility for freight and packaging charges to and from our service center.

This warranty does not cover commercial use, hardware, acts of nature, fire, freezing and abusive use.

In addition, purchased parts are not covered under this warranty. We reserve the right to make substitutions with similar merchandise, if the model in question is no longer in production.

For a copy of our full limited warranty, please contact our customer service team below.

Contact the Customer Service Team at 1-855-HD-HAMPTON or visit [www.hamptonbay.com](http://www.hamptonbay.com).

# Pre-Assembly

## PLANNING ASSEMBLY

Please read this entire instruction manual prior to assembly.

Identify all parts packed in the carton against the parts list. Remove all protective materials and place the parts on a non-abrasive surface to avoid scratching.

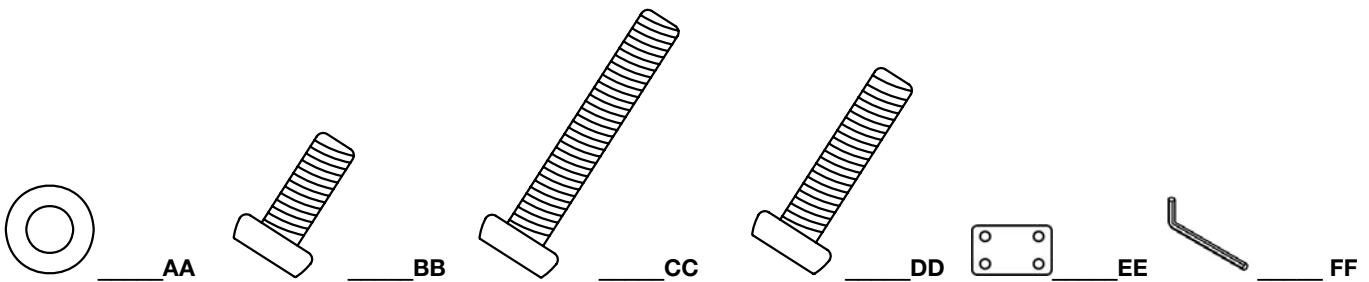


**NOTE:** More than one person may be required to complete the assembly of this product.

## HARDWARE INCLUDED



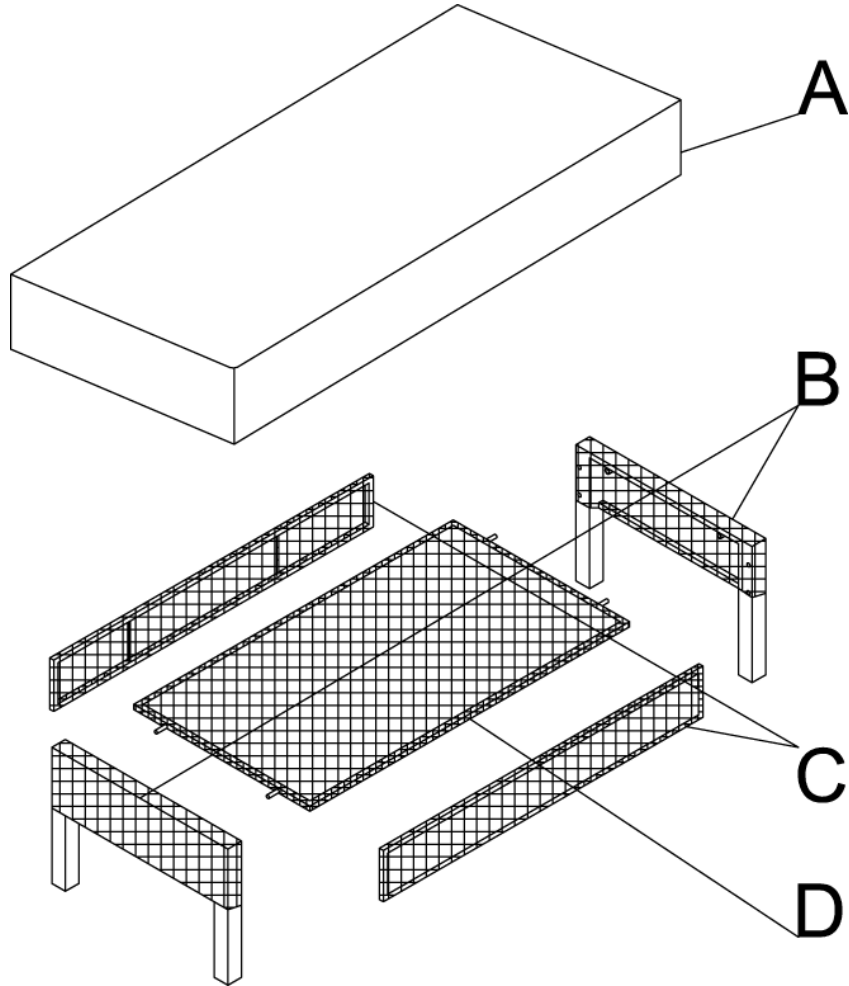
**NOTE:** Tools not shown to actual size.



Part	Description	Quantity
AA	M6 Washers	39
BB	M6x15 mm Hex bolts	24
CC	M6x35 mm Hex bolts	7
DD	M6x25 mm Hex bolts	8
EE	Metal Plate	6
FF	Hex Wrench	1

## Pre-Assembly (continued)

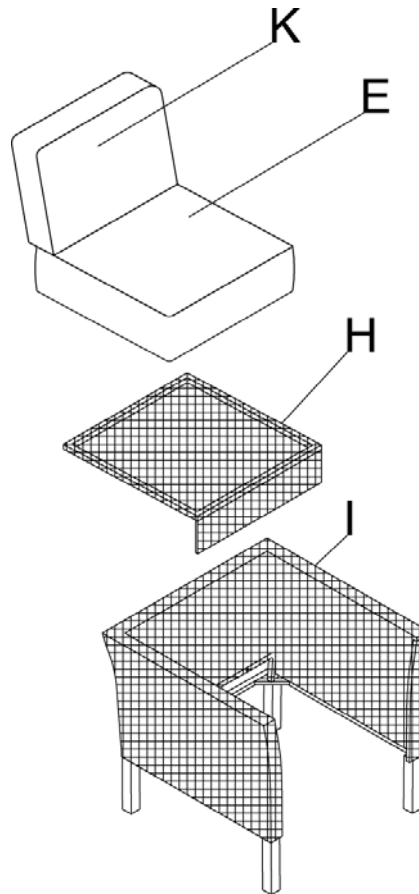
### TABLE PACKAGE CONTENTS



Part	Description	Quantity
A	Seat cushion	1
B	Table leg	2
C	Apron	2
D	Seat board	1

## Pre-Assembly (continued)

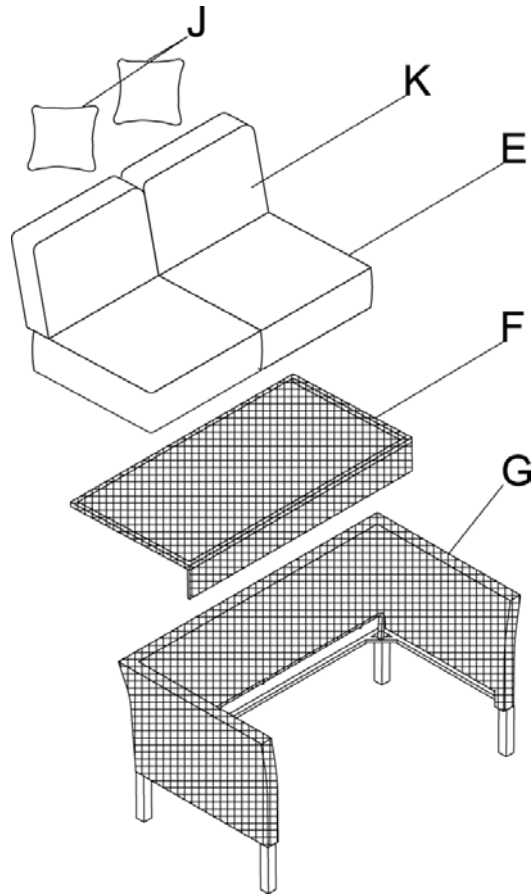
### LOUNGE CHAIR PACKAGE CONTENTS



Part	Description	Quantity
K	Back cushion	1
E	Seat cushion	1
H	Seat panel	1
I	Seat frame	1

## Pre-Assembly (continued)

### LOVESEAT PACKAGE CONTENTS

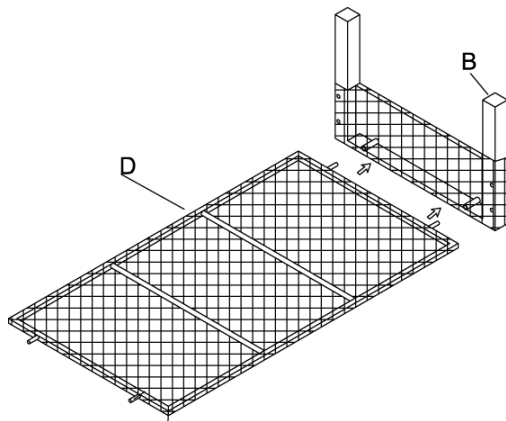


Part	Description	Quantity
J	Pillow	2
K	Back cushion	2
E	Seat cushion	2
F	Seat panel	1
G	Seat frame	1

# Table Assembly

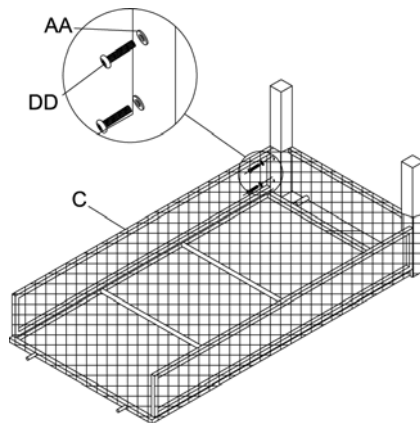
## 1 Attaching the table leg

- Place the seat board (D) on a soft, flat non-abrasive surface. Insert a table leg (B) into the seat board (D).



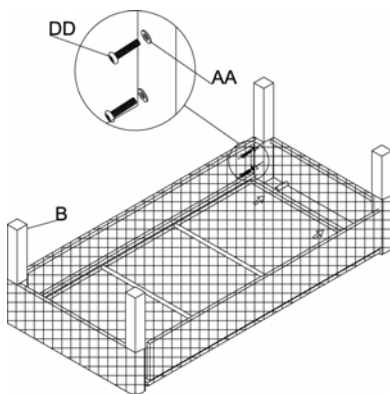
## 2 Attaching the apron

- Attach the apron (C) to the table legs (B) using the hex bolts (DD) and washers (AA). Do not fully tighten the bolts.



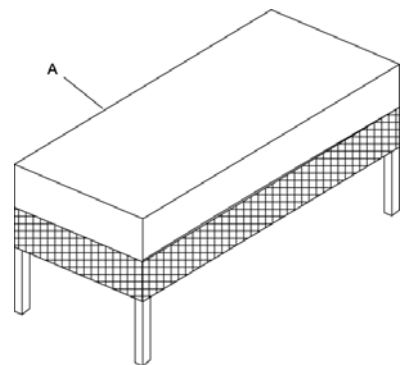
## 3 Attaching the other table leg

- Attach the other table leg (B) to the aprons (C) using the hex bolts (DD) and washers (AA). Securely tighten all of the bolts with the hex wrench (FF).



## 4 Positioning the table

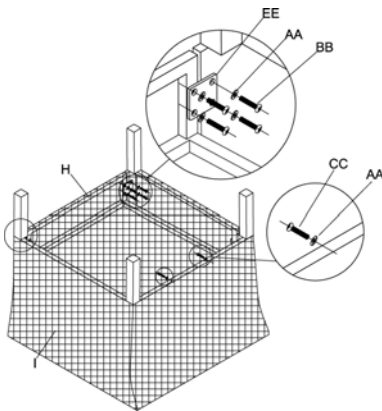
- Turn the table over and set it down on its legs.
- Place the seat cushion (A) onto the table.
- The table is now ready for use.



# Lounge Chair Assembly

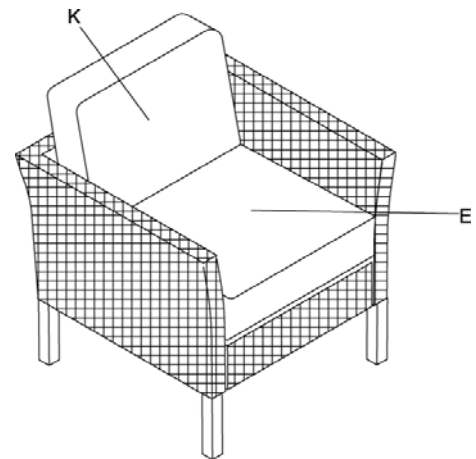
## 1 Attaching the seat panel

- Place the seat frame (I) on a soft, flat non-abrasive surface. Attach the front of the seat panel (H) to the seat frame (I) with metal plates (EE) using the hex bolts (BB) and washers (AA).
- Attach the back of the seat panel (H) to the seat frame (I) using the hex bolts (CC) and washers (AA). Securely tighten all of the bolts with the hex wrench (FF).



## 2 Positioning the chair

- Turn the chair over, place the seat cushion (E) and back cushion (K) onto the chair.
- The chair is now ready for use.

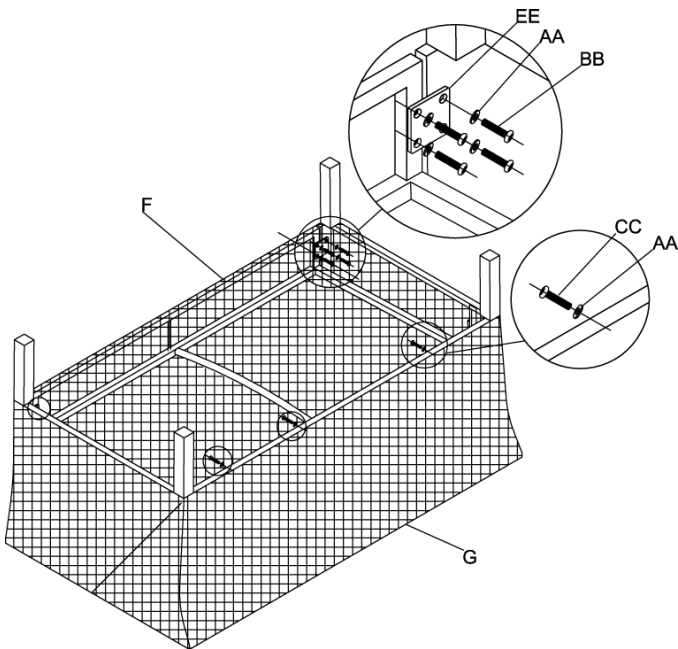




# Loveseat Assembly

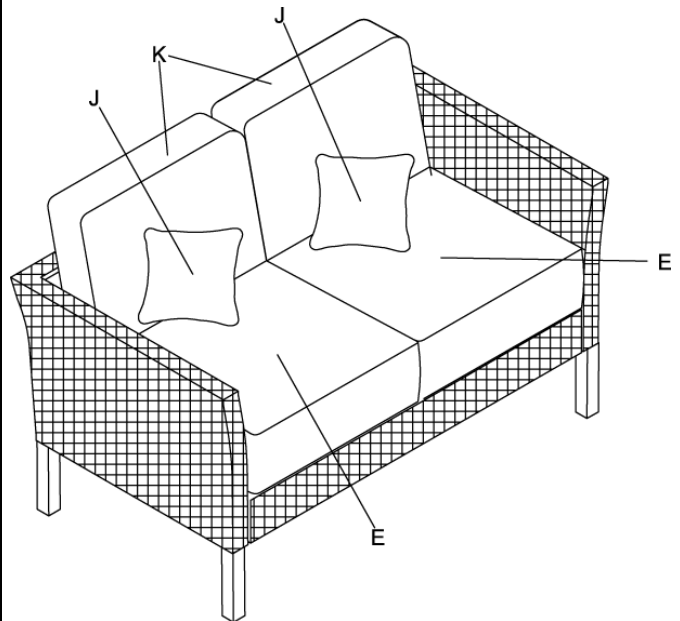
## 1 Attaching the seat panel

- Place the seat frame (G) on a soft, flat non-abrasive surface. Attach the front of the seat panel (F) to the seat frame (G) with metal plates (EE) using the hex bolts (BB) and washers (AA).
- Attach the back of the seat panel (F) to the seat frame (G) using the hex bolts (CC) and washers (AA). Securely tighten all of the bolts with the hex wrench (FF).



## 2 Positioning the loveseat

- Turn the loveseat over, place the seat cushions (E), back cushions (K) and pillows (J) onto the loveseat.
- The loveseat is now ready for use.



## Care and Cleaning

---

- Do not allow water to build up in the frames. This will cause corrosion and possible freezing damage in cold climates.
- Use a mild soap and water for normal cleaning. Do not use janitorial or alcohol-based cleaners. Some cleaners may be marked as natural, but some ingredients may cause discoloration or have an adverse reaction to your finish.
- Rinse with clean water and dry with a soft, absorbent cloth towel.
- Treat frames with a liquid wax for maximum protection against UV rays and/or salty, damp air.



**Questions, problems, missing parts? Before returning to the store,  
call Hampton Bay Customer Service**

**8 a.m. - 7 p.m., EST, Monday-Friday**

**9 a.m. - 6 p.m., EST, Saturday**

**1-855-HD-HAMPTON**

**HAMPTONBAY.COM**

**Retain this manual for future use.**