

# SPEAKMAN® S-256O

## Kubos™ Arm and Flange

### FEATURES:

- Stainless steel shower arm & metal wall flange
- 7 in. length
- 1/2 in. NPTM inlet and outlet

### FINISH:



PC BN

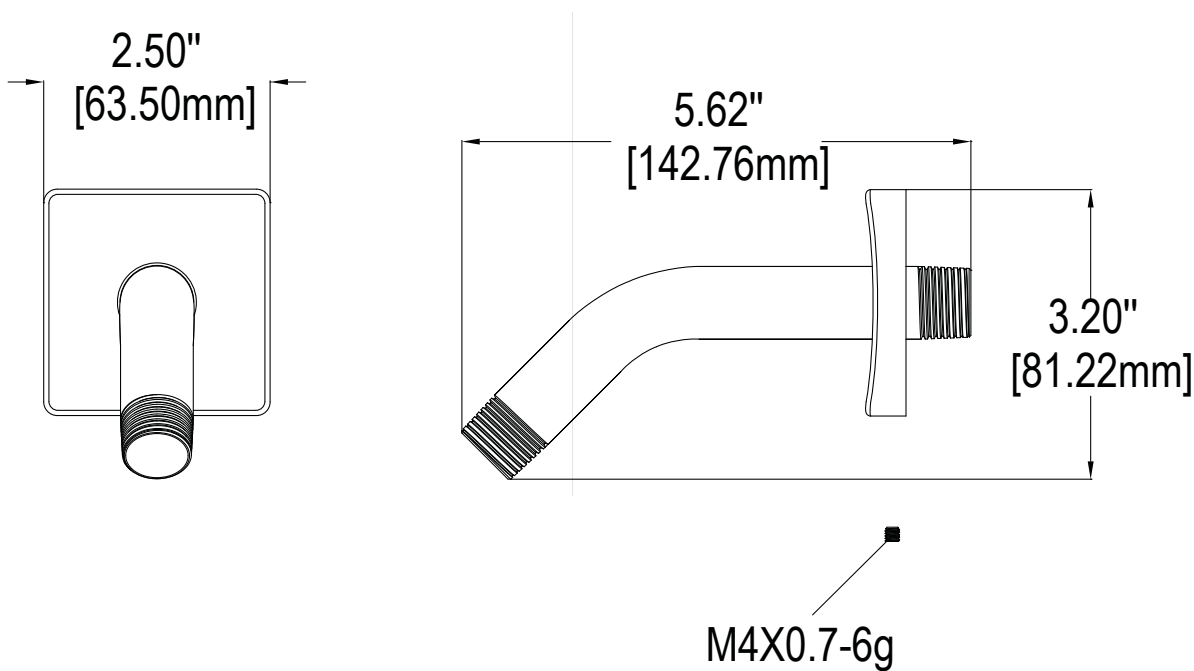
### WARRANTY:

- 1 year limited



### DIMENSIONS:

NOTE: 1. All dimensions are in inches (millimeters) unless otherwise specified and are subject to change without notice.



Architect/Engineer Approval Space:

SPEAKMAN  
400 ANCHOR MILL ROAD  
NEW CASTLE, DE 19720

P: 800-537-2107  
F: 800-977-2747  
W: WWW.SPEAKMAN.COM  
R: DECEMBER 2016