

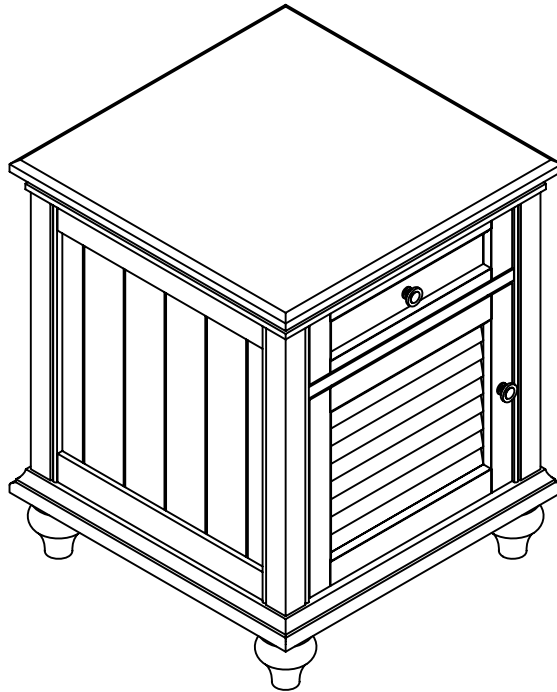
HOME DECORATORS COLLECTION

1002953393
1002953234

SK19031R2 HAMILTON SIDE TABLE 24"Hx20"Wx20"D

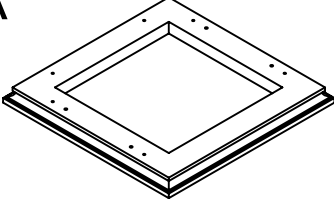
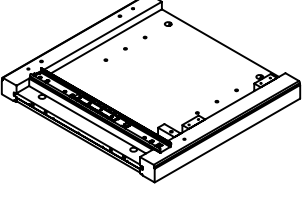
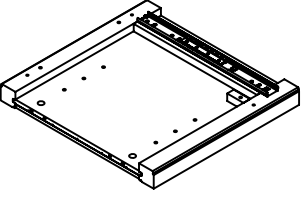
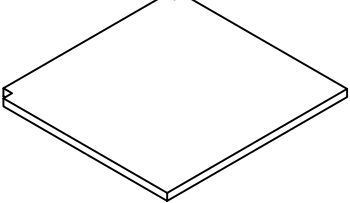
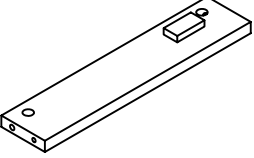
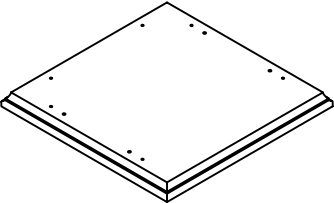
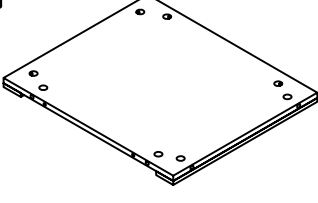
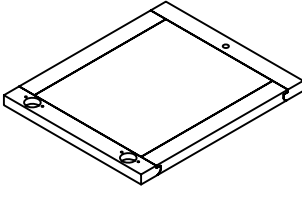

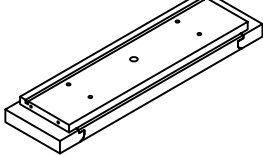
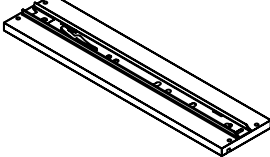
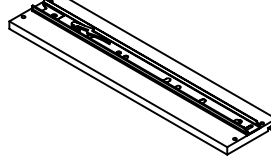
ASSEMBLY INSTRUCTIONS

Made In China

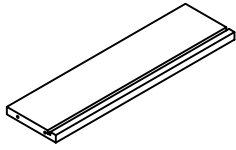


Thank you for purchasing this quality product. Be sure to check all packing material carefully for small parts, which may have come loose inside the carton during shipment. Count all parts and material hardware, then compare with parts list to be sure all parts are present. If any parts are missing or damaged, please contact our Customer Service Department for efficient and speedy service. Please indicate the model number and code letter of part(s) needed.

IMPORTANT NOTE: Follow instructions listed below in proper sequence as numbered to assure fast, easy and correct assembly.

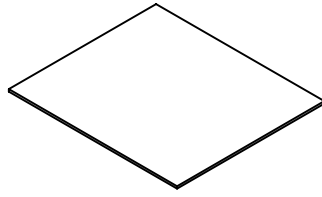
PARTS LIST		
A 	B 	C 
TOP PANEL -1PC	LEFT SIDE PANEL -1PC	RIGHT SIDE PANEL -1PC
D 	E 	F 
ADJUSTABLE SHELF -1PC	CROSS BRACE -1PC	BOTTOM PANEL -1PC
G 	H 	I 
BACK PANEL -1PC	DOOR -1PC	BALL FOOT -4PCS
J 	K 	L 
DRAWER FRONT PANEL -1PC	DRAWER LEFT SIDE PANEL -1PC	DRAWER RIGHT SIDE PANEL -1PC

M



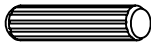
DRAWER BACK PANEL -1PC

N



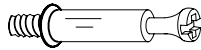
DRAWER BOTTOM PANEL
-1PC

a



WOOD DOWEL-14PCS

b



CAM
LOCK BOLT-18PCS

c



CAM LOCK-18PCS

d



PLASTIC COVER-8PCS

e



KNOB-2PCS

f



KNOB BOLT-2PCS

g



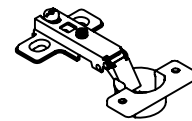
1" FLAT
HEAD SCREW-8PCS

h



SHELF PIN-4PCS

i



HINGE-2PCS

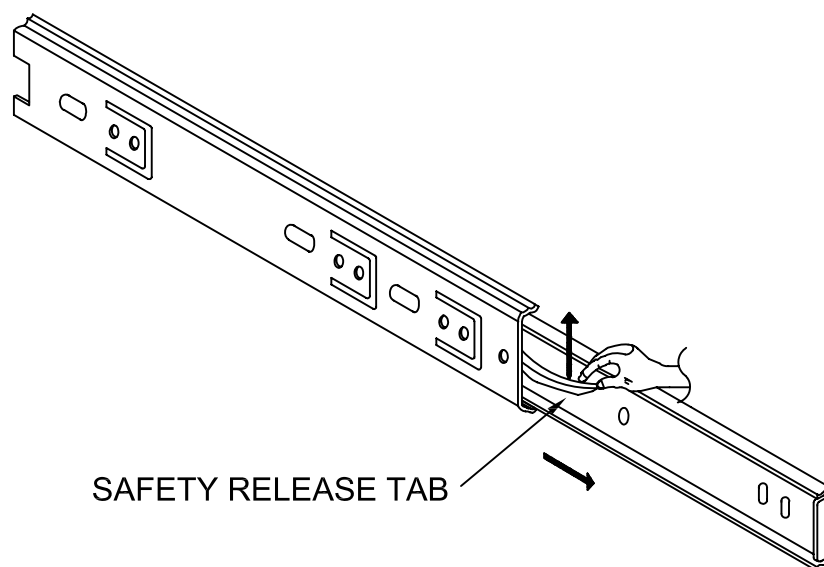
j



5/8" FLAT
HEAD SCREW-8PCS

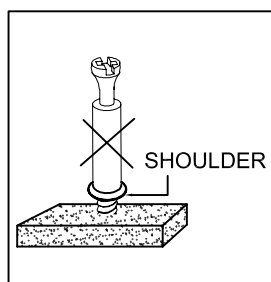
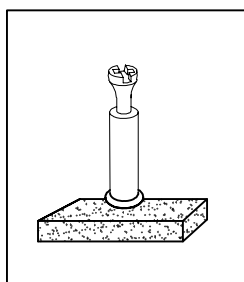
NOTE:THE SURFACE WITH THE STICKER IS THE BACK SIDE

HOW TO SEPARATE GLIDES



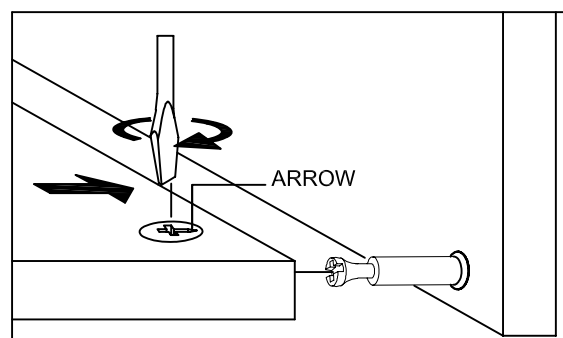
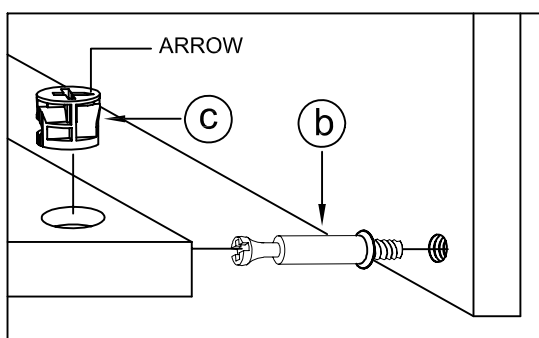
PRIOR TO ASSEMBLY, WE SUGGEST SEPARATING THE INNER GLIDES FROM THE OUTER-GLIDES, SIMPLY PULL THE LEFT/RIGHT INNER GLIDES FROM THE OUTER GLIDES EXPOSING A SMALL BLACK SAFETY RELEASE TAB, BY PUSHING THE SAFETY RELEASE TAB. YOU WILL BE ABLE TO SEPARATE THE GLIDES.

NOTE: • UPON OPENING, THOROUGHLY CLEAN ALL WOOD SURFACES TO REMOVE DUST AND DIRT THAT MAY HAVE SETTLED ONTO THE FINISH DURING SHIPMENT. IN ORDER TO PREVENT DAMAGE DURING ASSEMBLY. PLEASE ASSEMBLE THIS ITEM WITH AT LEAST TWO PEOPLE.



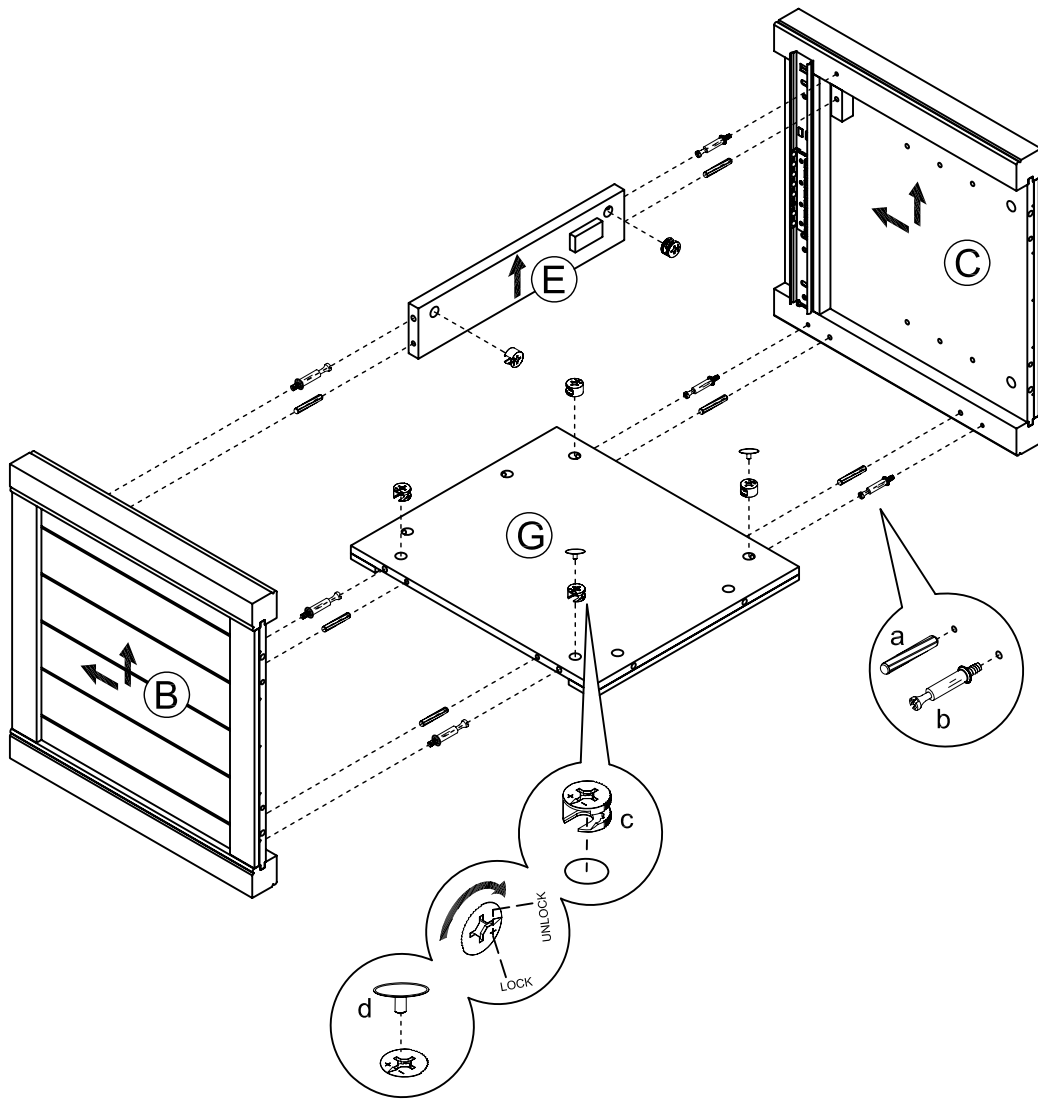
NOTE: TURN THE CAM-BOLT SCREWS UNTIL THEY ARE TIGHT, THE SHOULDER SHOULD BE AGAINST THE SURFACE OF THE PART.

HOW TO USE THE CAM-TOOL



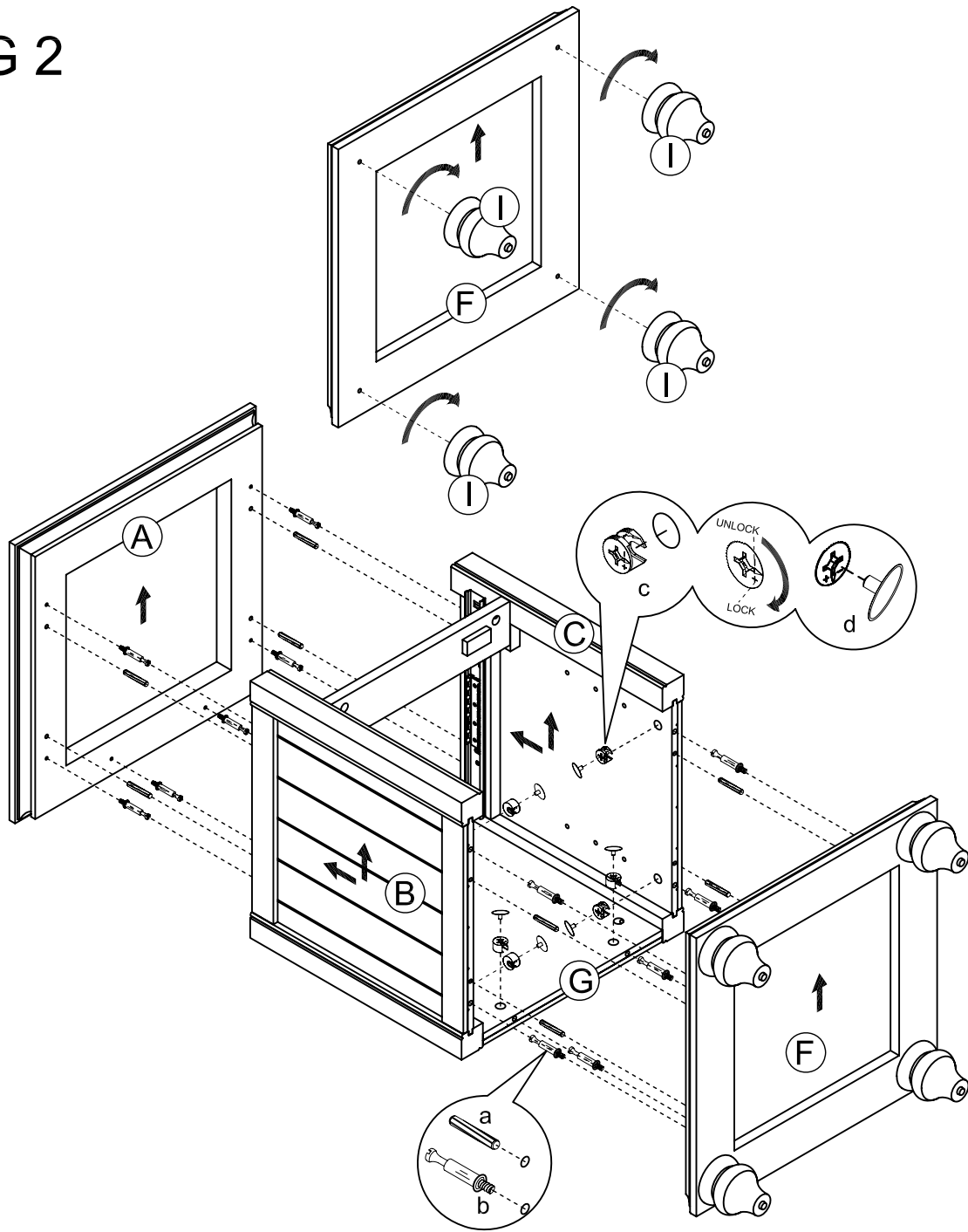
NOTE: • THE ARROWS ON THE HIDDEN CAM-LOCKS SHOULD POINT TO THE CAM-BOLTS.

FIG 1



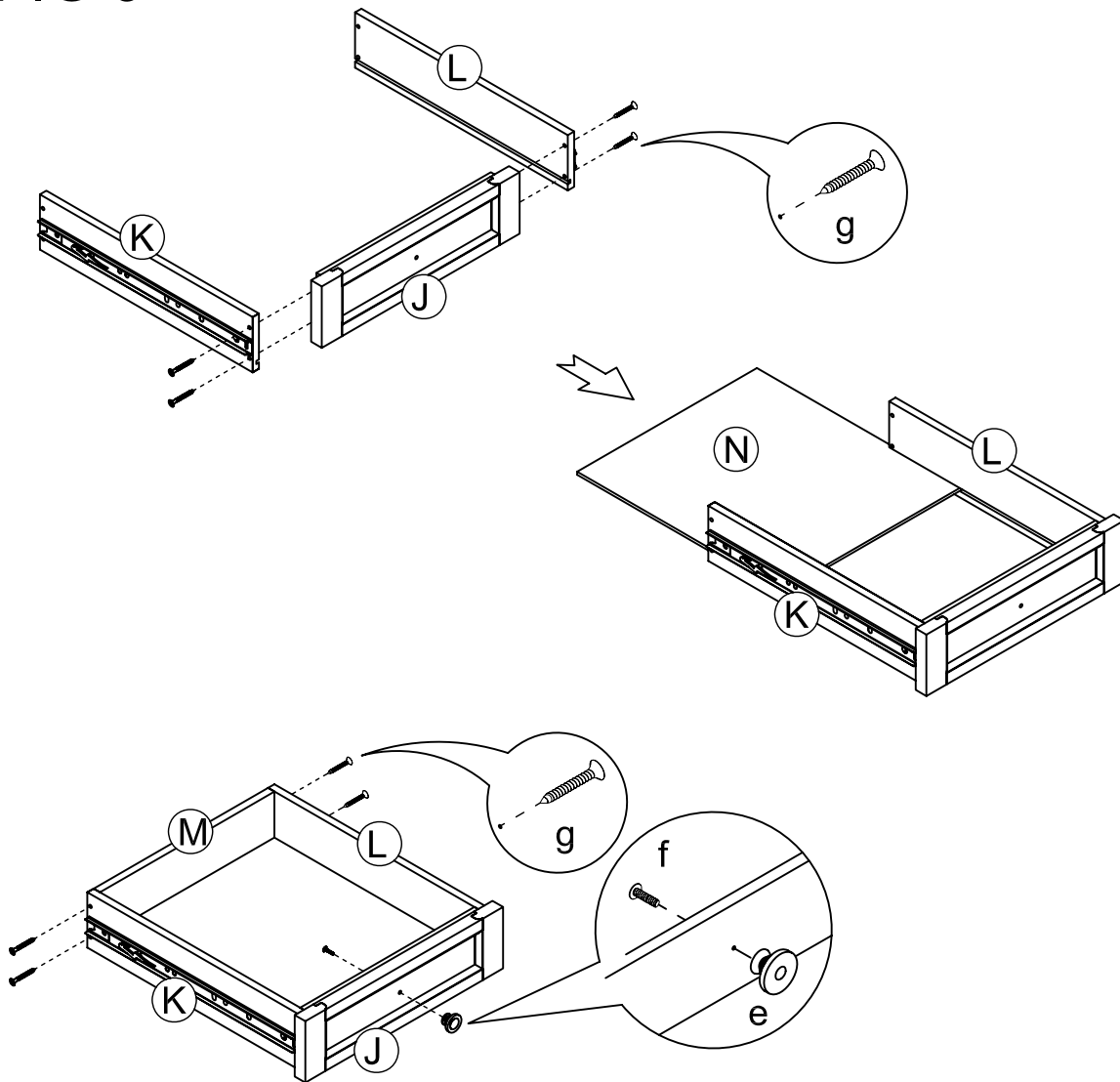
- INSTALL THE WOOD DOWEL (a) AND THE CAM LOCK BOLT (b) INTO THE LEFT SIDE PANEL (B) AND THE RIGHT SIDE PANEL (C).
- JOIN THE BACK PANEL (G) AND THE CROSS BRACE (E) TO THE LEFT SIDE PANEL (B) AND THE RIGHT SIDE PANEL (C) BY USING WOOD DOWEL (a) FIRST.
- TIGHTEN THE CAM LOCK BOLT (b) BY USING THE CAM LOCK (c) IN PRE-DRILLED HOLES.
- COVER THE CAM HOLES WITH PLASTIC COVER (d).

FIG 2



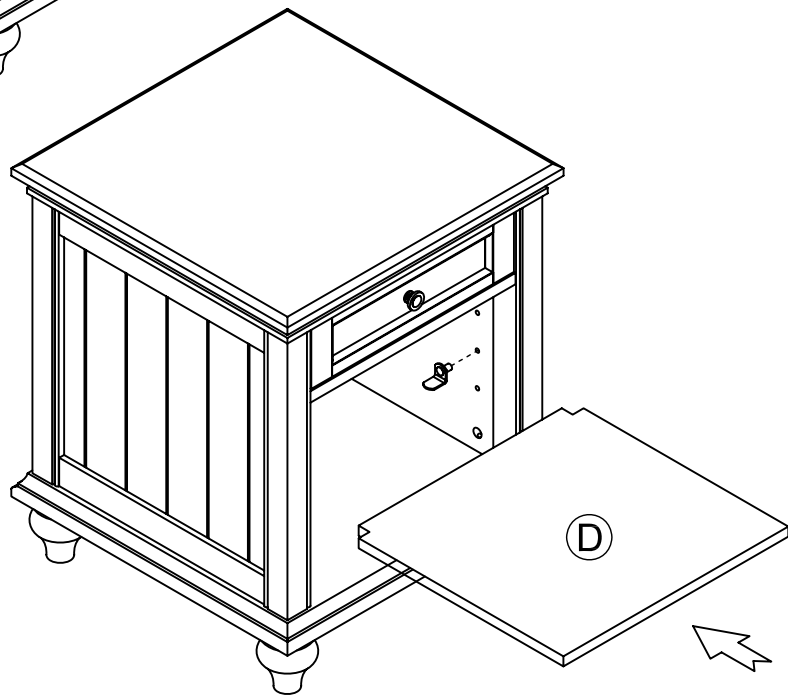
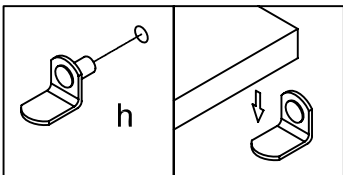
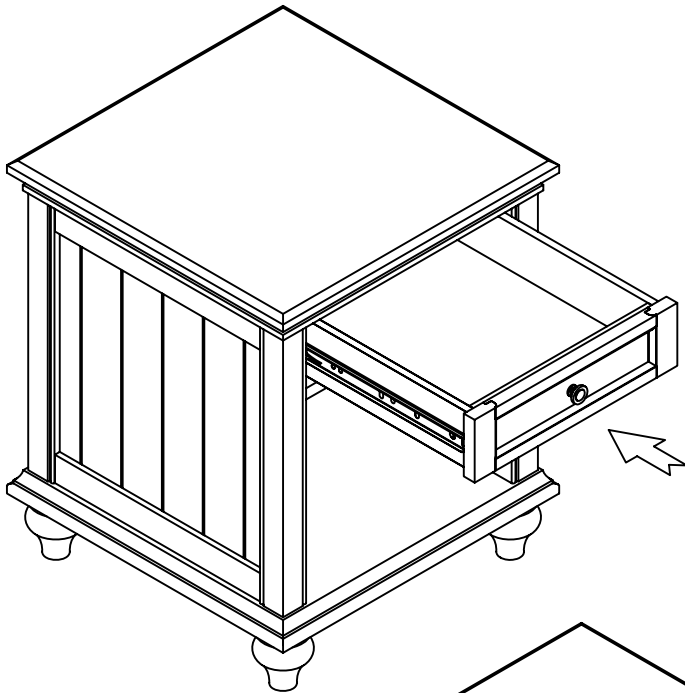
- TIGHTEN THE BALL FOOT (I) TO THE BOTTOM PANEL (F) AS SHOWN .
- INSTALL THE WOOD DOWEL (a) AND THE CAM LOCK BOLT (b) INTO THE TOP PANEL (A) AND THE BOTTOM PANEL (F).
- JOIN THE TOP PANEL (A) AND THE BOTTOM PANEL (F) TO THE ASSEMBLED PART BY USING WOOD DOWEL (a) FIRST.
- TIGHTEN THE CAM LOCK BOLT (b) BY USING THE CAM LOCK (c) IN PRE-DRILLED HOLES.
- COVER THE CAM HOLES WITH PLASTIC COVER (d).

FIG 3



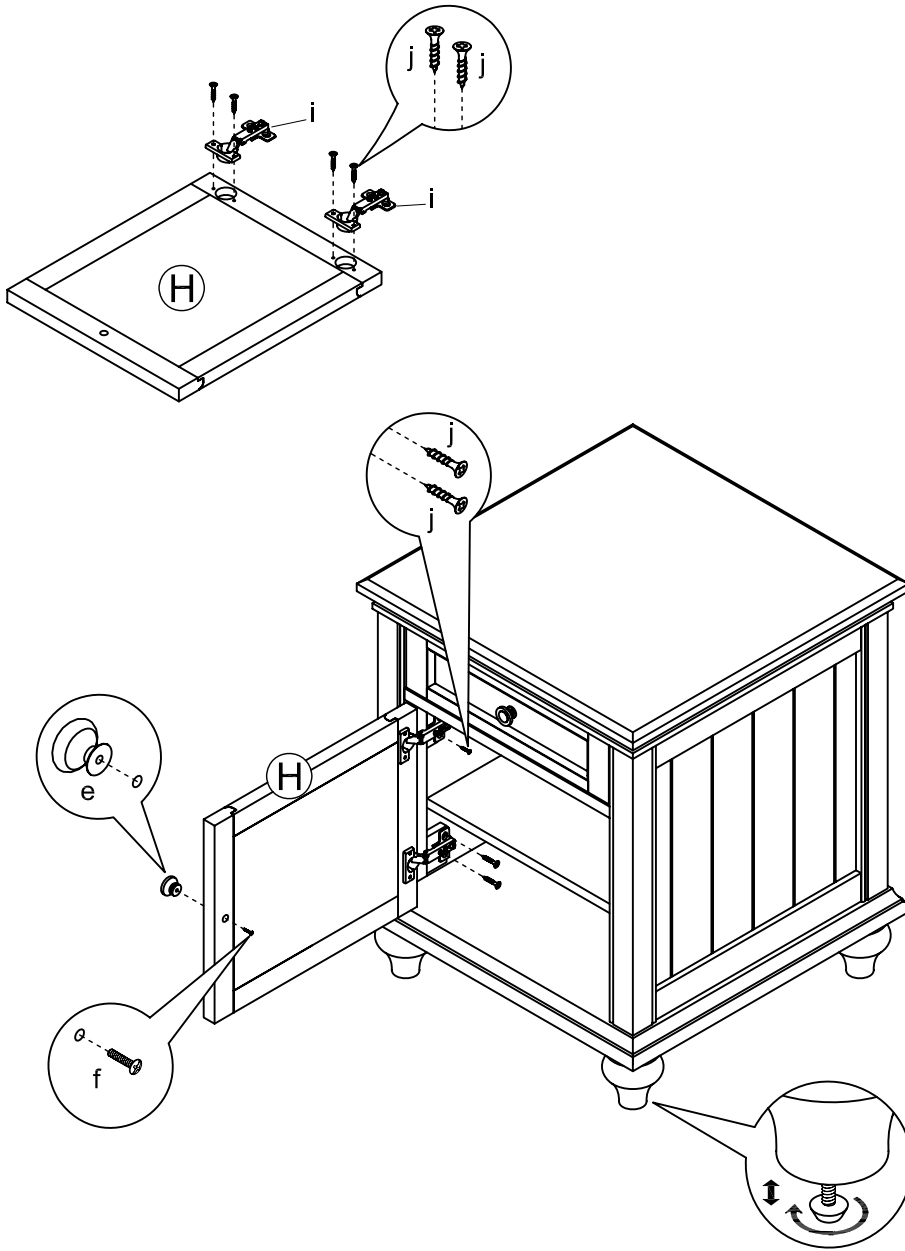
- TIGHTEN THE DRAWER LEFT SIDE PANEL (K) AND THE DRAWER RIGHT SIDE PANEL (L) TO THE DRAWER FRONT PANEL (J) BY USING THE 1" FLAT HEAD SCREW (g).
- SLIDE THE DRAWER BOTTOM PANEL (N) INTO THE GROOVES ON THE DRAWER LEFT SIDE PANEL (K) AND THE DRAWER RIGHT SIDE PANEL (L).
- TIGHTEN THE DRAWER BACK PANEL (M) TO THE ASSEMBLED PART BY USING THE 1" FLAT HEAD SCREW (g).
- TIGHTEN THE KNOB (e) TO THE DRAWER FRONT PANEL (J) BY USING THE KNOB BOLT (f).

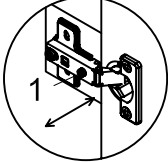
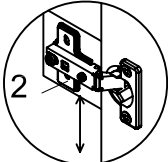
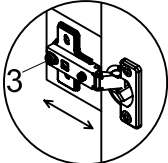
FIG 4



- INSERT THE ASSEMBLED DRAWER INTO THE ASSEMBLED PART AS SHOWN.
- INSERT THE SHELF PIN (h) IN THE DESIRED POSITION AND THEN PLACE THE ADJUSTABLE SHELF (D) ON THE PINS.

FIG 5



DOOR FITTING

To adjust in width

To adjust in height

To adjust in depth

- ATTACH THE HINGE (i) TO THE DOOR (H) BY USING THE 5/8" FLAT HEAD SCREW (j).
- ATTACH THE DOOR (H) TO THE ASSEMBLED PART BY USING THE 5/8" FLAT HEAD SCREW (j) AS SHOWN.
- TIGHTEN THE KNOB (e) TO THE DOOR (H) BY USING THE KNOB BOLT (f).