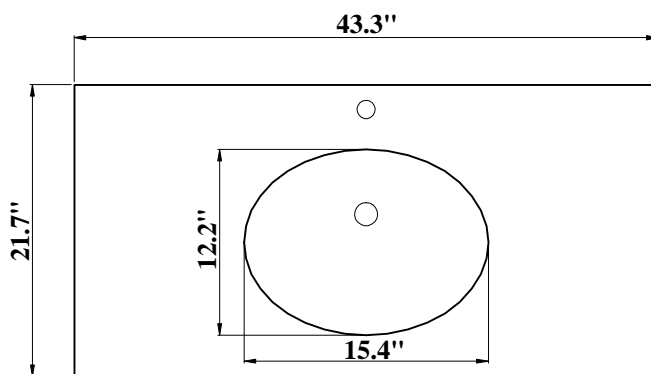
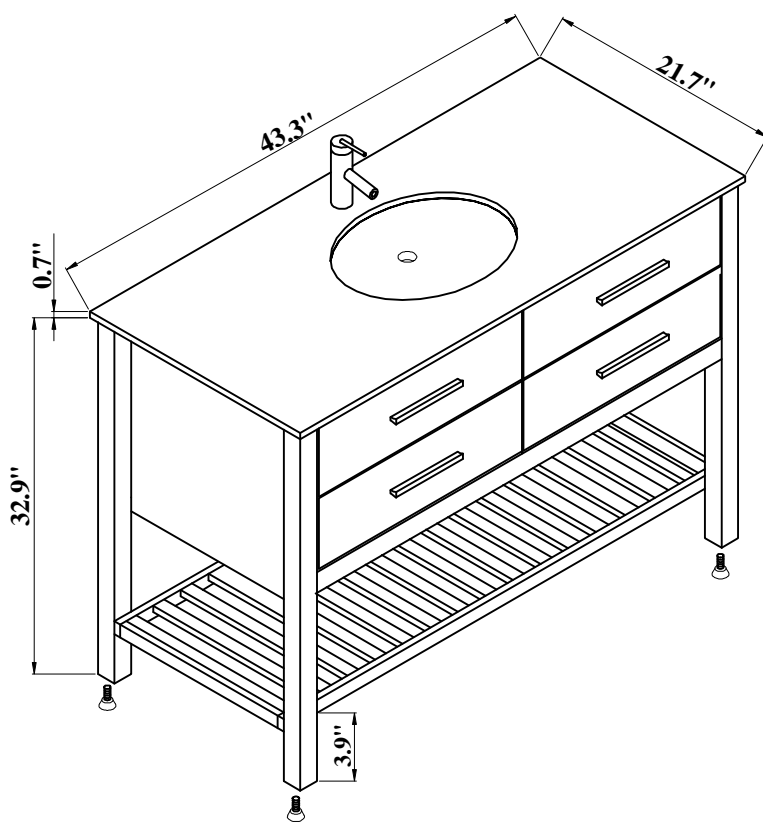


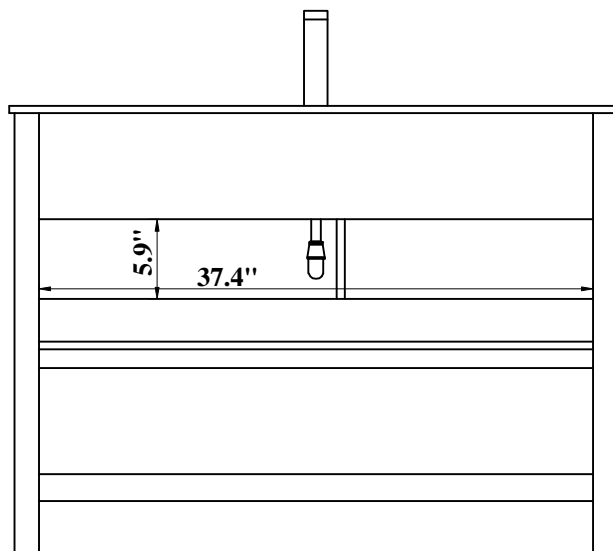
SB-250-6WHPS



SINK



VANITY



BACK VIEW