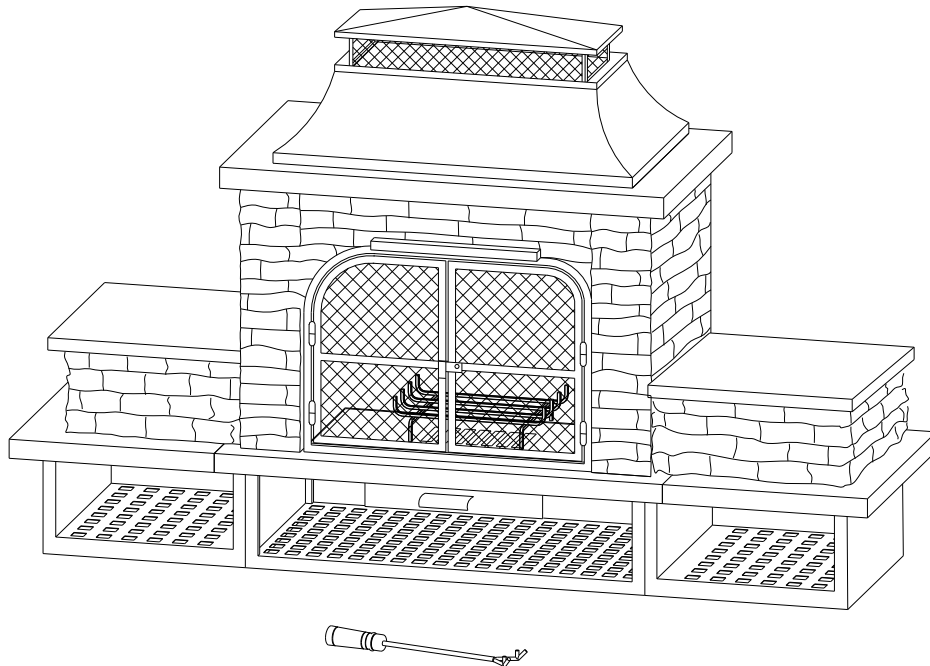


ASSEMBLY INTRUCTION

ITEM#: L-OF083PST-2

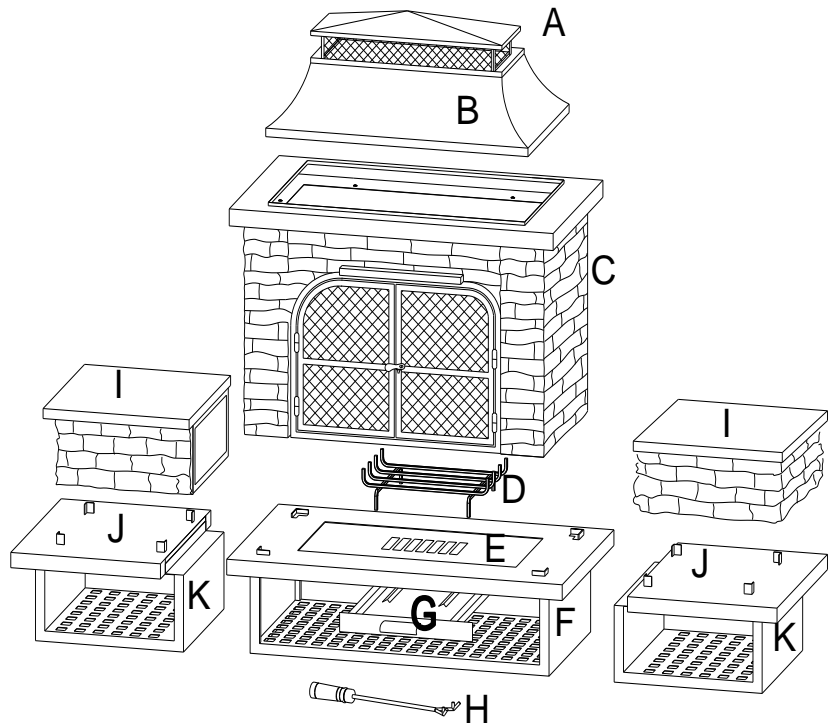


Cautions:

- Keep all children and pets away from assembly area. Children and pets should be supervised while product is being assembled.
- This unit is heavy, at least two people are recommended for safe assembly.
- Some parts may contain sharp edges. Wear protective gloves if necessary during assembly.
- When assembling and using this product, basic safety precautions should always be followed to reduce the risk of personal injury and damage to equipment. Please read all instructions before assembly and use.
- This fireplace is intended for outdoor use only. Do not use on wooden decks.
- This outdoor fireplace is intended to burn **wood logs only**. Do not burn coal, leaves, or other combustible materials in the fireplace.
- The fireplace is hot. Use with caution. Do not touch the hot fireplace with bare hands.
- Never leave the burning fireplace unattended and always extinguish the fire completely before leaving the fire bowl. Do not use near flammable or combustible objects or materials.
- When the fireplace is in use, the handle on the mesh screen can reach extreme temperatures that can cause serious injury to an unprotected hand. Use a poker or an appropriate heat resistant glove or pad when handling.
- Do not use the fireplace as cooking appliance. The fireplace isn't designed for grilling food.
- Check local fire regulations and municipal by-laws for safe use.

Important: For technical assistance on assembly or replacement parts, please call Sunjoy Industries at 1(866) 578-6569 from 8:00 AM EST to 8:00 PM PST. You may email to customer.care@sunjoygroup.com or visit www.sunjoyonline.com to place your order or fax your parts replacement order form (which included in the packaging) together with your purchase receipt to 1 (740) 283-3549 for assistance.

PARTS LIST		
PART#	DESCRIPTION	QTY
A	Chimney OF0083XX201	1
B	Top OF0083XX202	1
C	Body OF0083XX203	1
D	Grate OF0083XX204	1
E	Board(Pre-assembled) OF0083XX205	1
F	Base OF0083XX206	1
G	Ash tray OF0083XX207	1
H	Poker FTJB600G	1
I	Side table top OF0083XX208	2
J	Upper side base OF0083XX209	2
K	Lower side base OF0083XX210	2



HARDWARE PACK		
PART#	DESCRIPTION	QTY
AA	Bolt M6x15 BM06015C	8
BB	Flat washer M6 UD06C	8

ASSEMBLY STEPS

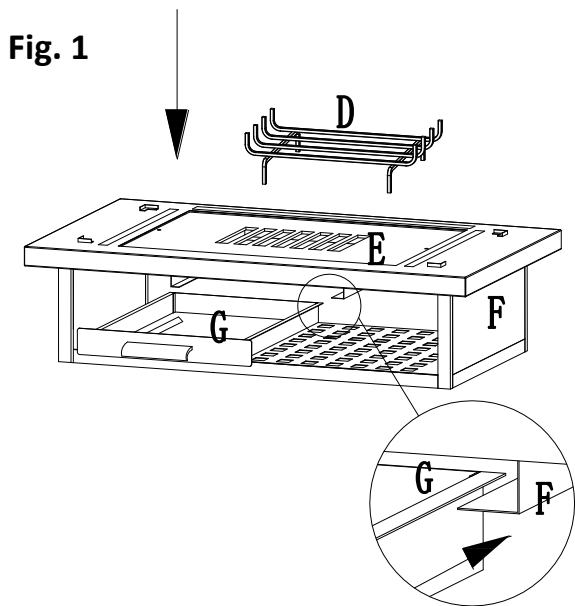


Fig.1: Insert Ash tray (G) into Base (F). Place Grate (D) onto Board (E).

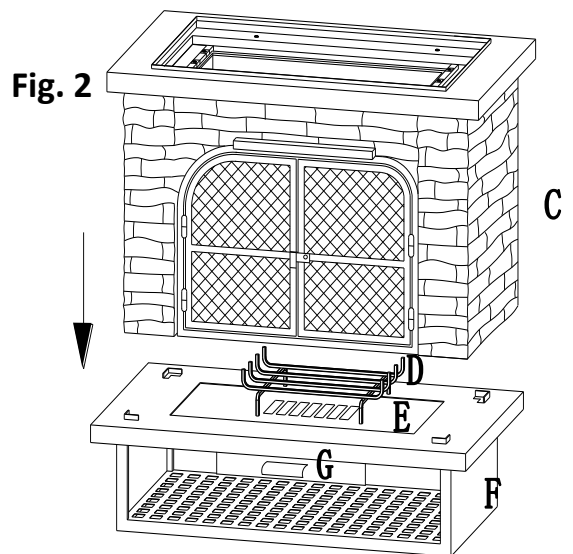


Fig.2: Place Body (C) onto base (F).

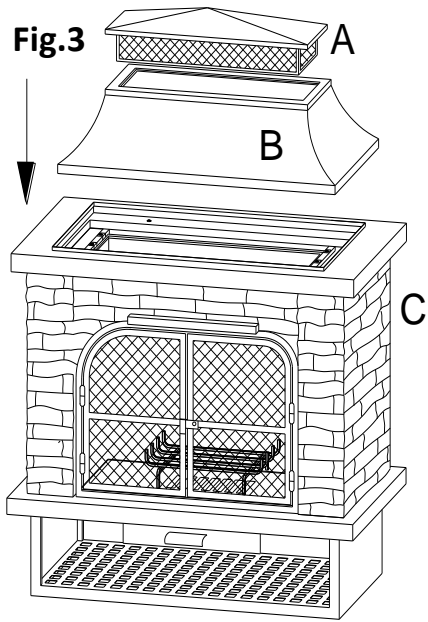


Fig.3: Put top (B) on body (C) and chimney (A) on top (B) in order as Fig.3.

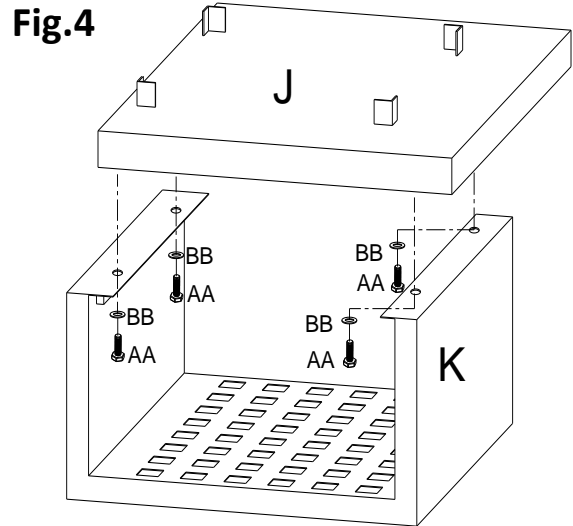


Fig.4: Attach upper side base (J) and lower side base (K) with bolt (AA) and flat washer (BB), as Fig.4

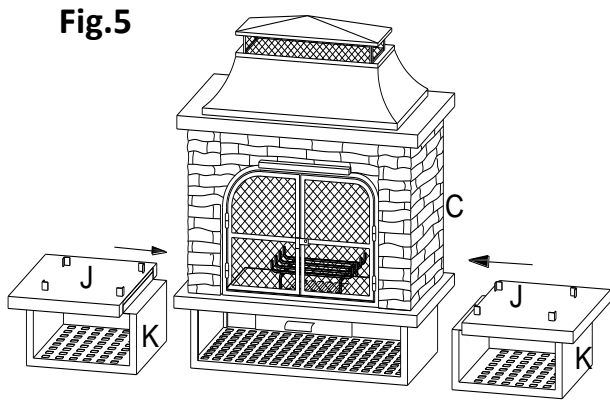


Fig.5: Insert the assembled side base (J) into Body (C).

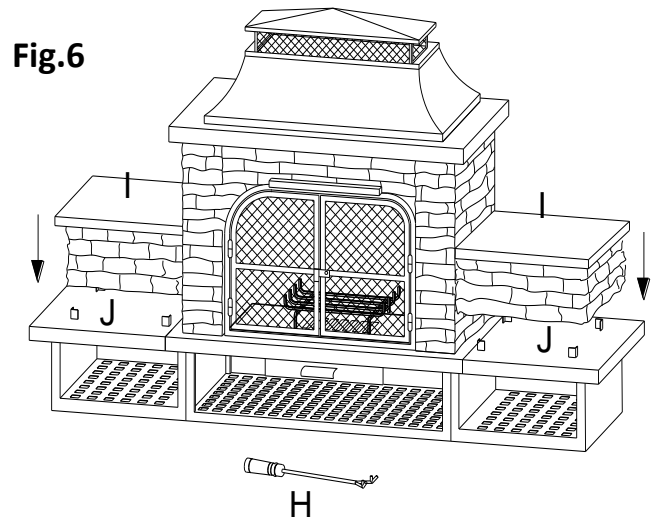


Fig.6: Put the side table top (I) on upper side base (J). (Note: The table top side without stone should face the body). Use Poker (H) as necessary. Now, your fireplace is ready for use.

Care & Maintenance

Before using, clean the table completely with a soft dry towel. When not in use, wipe free of any dirt or loose objects, wash with a mild solution of soap and water; rinse thoroughly and dry completely.

Do not use strong detergent or abrasive cleaners. When not in use, we recommend the use of patio furniture covers.

Steel components of garden accessories and furniture are treated with rust inhibiting paint. However, due to the nature of steel, surface oxidation (rusting) will occur if this protective coating is scratched.

To minimize this condition, it is recommended that care be taken when assembling and handling the product, in order to prevent the paint from being scratched.

Limited Manufacturer's Warranty

Sunjoy Industries warrants to the original purchaser that this item is free from defects in workmanship and materials for a period of (1) year from the date of purchase, provided the item was factory-sealed at the time of purchase and is maintained with care and used only for personal, residential purposes. Should any manufacturing defect arise within this warranty period, Sunjoy Industries will repair or replace (at our option) any defective merchandise upon proof of purchase; however, transportation and delivery costs, as well as payments to a third party for assembly or disassembly of the item, remain the responsibility of the purchaser. A purchaser of an "open box," previously-returned, or "clearance" item, as well as original purchasers outside of the warranty period, may obtain replacement parts from Sunjoy Industries for products in current production, at nominal cost.

Exclusions:

Items used for commercial, contract, or other non-residential purposes, or items damaged due to acts of nature, vandalism, misuse, or improper assembly are not covered. Corrosion or rusting of hardware is not covered. Proof of purchase (dated register receipt) is required for warranty claims. Warranty is to the original purchaser and is non-transferable. Any replacement of warranted items will be in the original style and color, or a similar style and color if the original is unavailable or has been discontinued. As some states do not allow exclusions or limitations on an implied warranty, the above exclusions and limitations may not apply. This warranty gives you specific rights, and you may also have other rights, which vary from state to state.

WARNING: Fuels used in wood or charcoal burning appliances, and the products of combustion of such fuels, contain chemicals known to cause cancer, birth defects or other reproductive harm.