



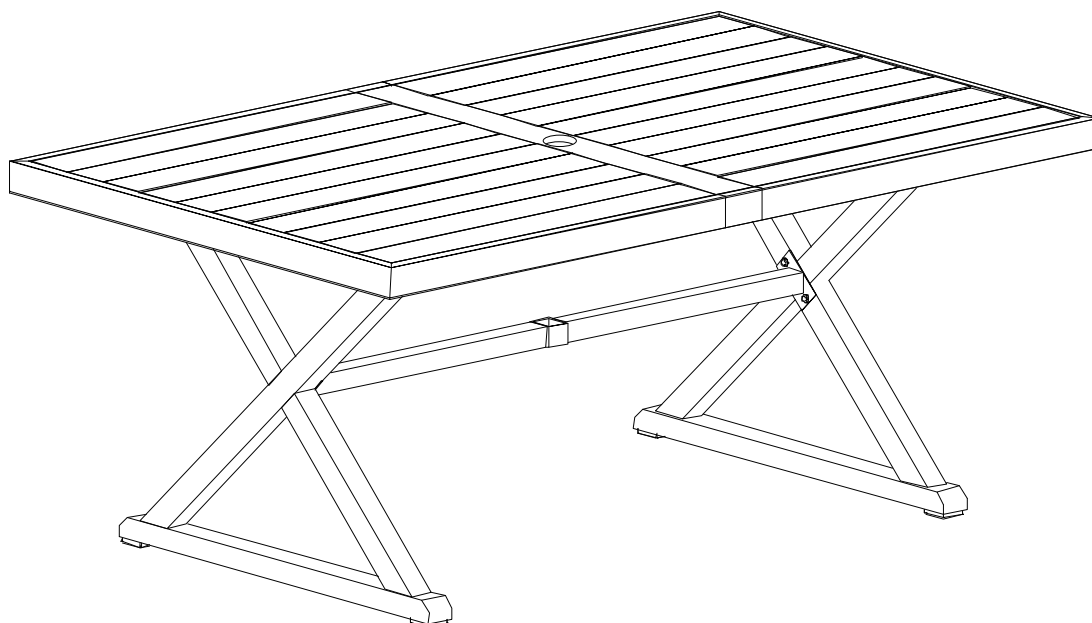
Item # xxxxxxxxxxxx

Model # 3038-DT7

# USE AND CARE GUIDE

---

## MM FRAMHOUSE 72" TRESTLE TABLE



Questions, problems, missing parts? Before returning to the store,  
call Hampton Bay Customer Service.  
8 a.m. - 7 p.m., EST, Monday - Friday, 9 a.m. - 6 p.m., EST, Saturday

**1-855-HD-HAMPTON**

**HAMPTONBAY.COM**

---

### THANK YOU

*We appreciate the trust and confidence you have placed in Hampton Bay through the purchase of this table. We strive to continually create quality products designed to enhance your home. Visit us online to see our full line of products available for your home improvement needs. Thank you for choosing Hampton Bay!*


# Table of Contents


**Table of Contents** ..... 2  
**Important Safety Instructions** ..... 2  
Save These Instructions ..... 2  
Read All Instructions Before Use ..... 2  
**Warranty** ..... 3  
What is Covered ..... 3  
What is Not Covered ..... 3

**Pre-Assembly** ..... 3  
Planning Assembly ..... 3  
Hardware Included ..... 3  
Package Contents..... 4  
**Assembly...** ..... 5  
**Care and Cleaning**..... 7

# Important Safety Instructions

## SAVE THESE INSTRUCTIONS

 **WARNING:** This table was made for the explicit purpose of providing outdoor functions and is not to be used as a toy. This product is intended for normal outdoor use; however, the manufacturer recommends storing and / or covering this set when any formidable / severe weather is approaching.

 **WARNING:** Do not locate this product near open flames. Do not use this product as a support. Do not shake, lean or climb on the product. Children under the age of 10, near the product, should be supervised by a competent adult at all times. This product is NOT intended for commercial use. Commercial use will void the warranty.


## READ ALL INSTRUCTIONS BEFORE USE

To reduce the risk of injury to persons:

1. Close supervision is necessary when this product is used by or near children, or disabled persons, if applicable.
2. Use this furnishing only for its intended use as described in these instructions. Do not use attachments not recommended by the manufacturer.
3. Please keep children out of the assembly area during assembly.
4. This table is not intended to support an umbrella. Umbrellas must have a suitable base or stand.

 **WARNING:** Do not place heavy objects on the table.

 **WARNING:** When not in use, secure the product in a cool and covered location.

 **WARNING:** This table unit is heavy, and may require two adults for safe assembly.

 **CAUTION:** Do not locate the product near any heat source.

# Warranty

## 1 YEAR FRAME WARRANTY

### WHAT IS COVERED

We warrant the frame to be free of manufacturing defects to the original purchaser for one year.

### WHAT IS NOT COVERED

It remains the customer's responsibility for freight and packaging charges to and from our service center. This warranty does not cover commercial use, hardware, acts of nature, fire, freezing and abusive use. In addition, purchased parts are not covered under this warranty. We reserve the right to make substitutions with similar merchandise, if the model in question is no longer in production.

Contact the Customer Service Team at 1-855-HD-HAMPTON or visit [HAMPTONBAY.COM](http://HAMPTONBAY.COM)

# Pre-Assembly

## PLANNING ASSEMBLY

Read all instructions before assembly.

To avoid damaging this product, assemble it on a soft, non-abrasive surface such as carpet or cardboard.



**NOTE:** More than one person may be required to assemble this product.

## HARDWARE INCLUDED



**NOTE:** Hardware not shown to actual size.



AA



BB



CC



DD



EE



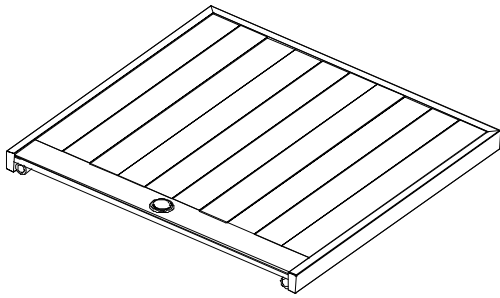
FF



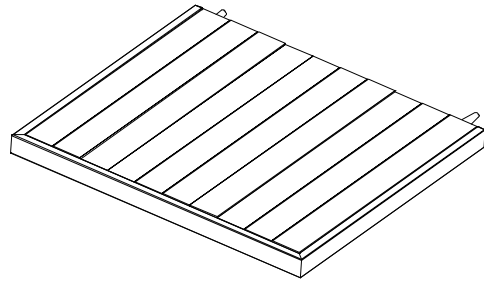
GG

Part	Description	Quantity
AA	Bolt cap	5
BB	Long bolt	2
CC	Large round gasket	13
DD	Short bolt	13
EE	Spring	2
FF	Small round gasket	2
GG	Allen key	1

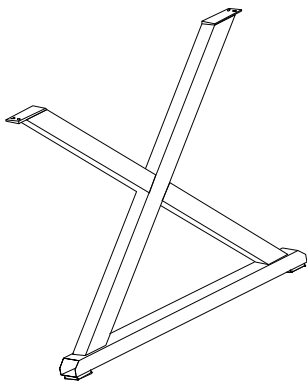
## PACKAGE CONTENTS



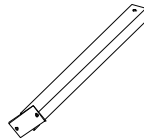
A



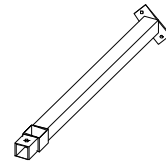
B



C



D

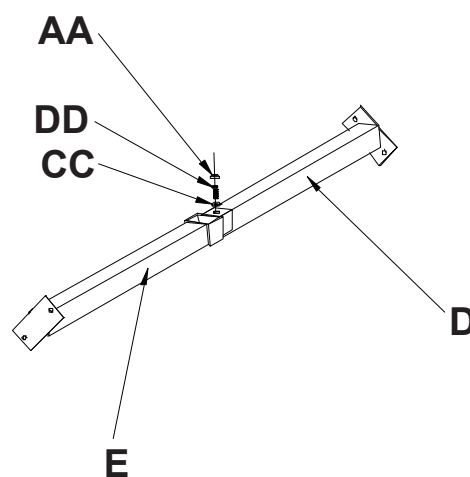
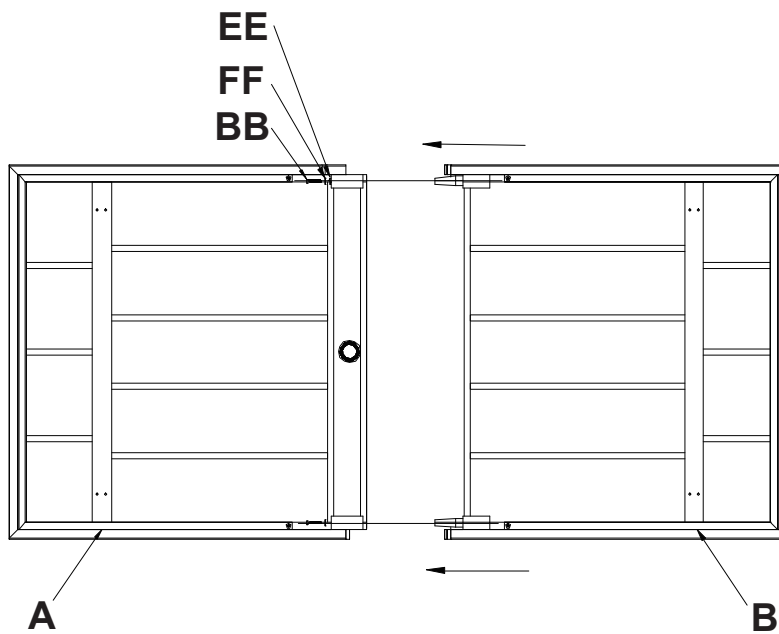


E

Part	Description	Quantity
A	Right table top	1
B	Left table top	1
C	Legs	2
D	Left leg connector	1
E	Righe leg connector	1

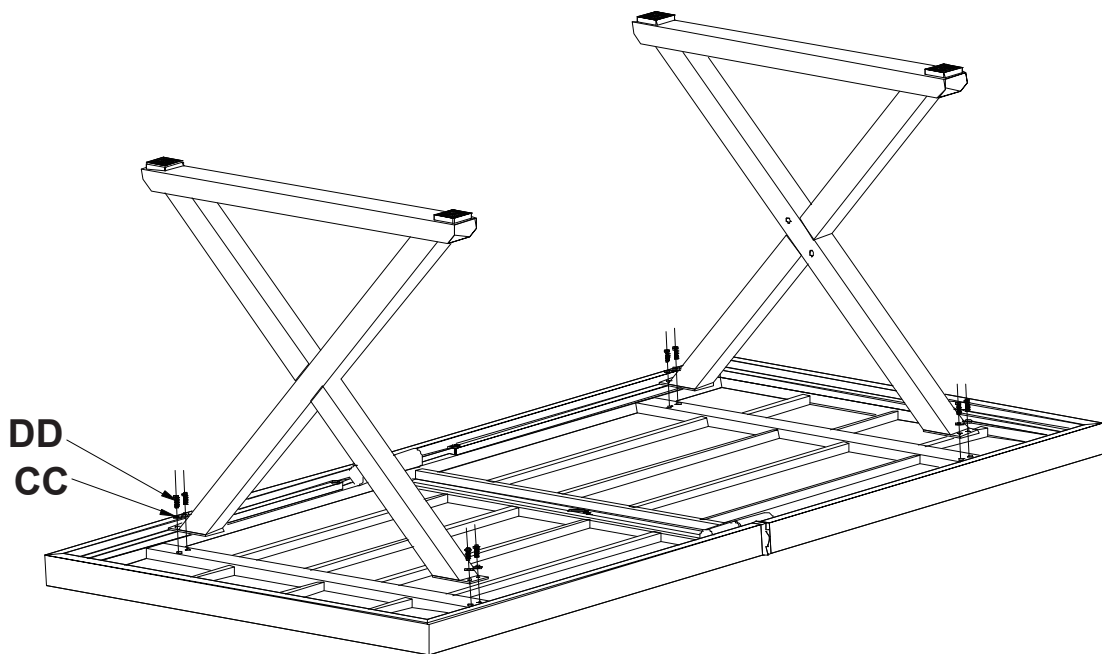
## 1 Attaching the table legs to the table top

- Place two table tops (A) and (B) upside down on a soft surface.
- Combination two table tops together use bolts(BB), springs(EE) and small round gasket(FF).
- combination two leg connectors (D and E) together use bolts(DD) and big round gasket(CC).



## 2 Attaching the leg connector to the table legs

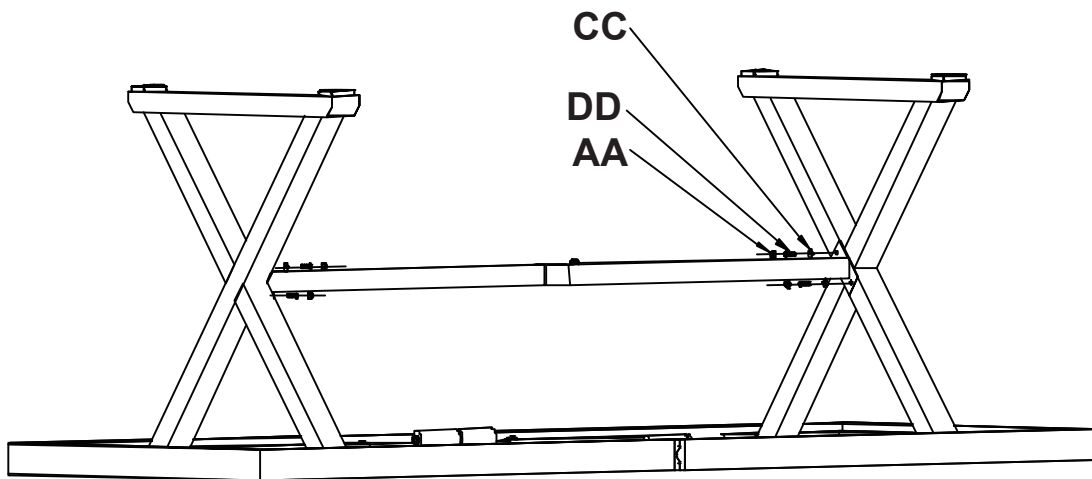
- Attach two table legs (C) to the table top using bolts (DD) and big round gasket(CC).



## Assembly (continued)

### 3 Tightening the bolts

- Attach the leg connectors (D and E) to the legs using bolts (DD) and big round gasket(CC).



## Assembly (continued)

### Care and Cleaning

For best results, clean the table with a damp cloth and dry thoroughly.

This will help prevent mildew by removing dirt particles that may accumulate.

Do not clean with abrasive materials, bleach, or solvents.

Store the table in a dry, sheltered place when not in use.

Keep the table away from -re, extreme heat, freezing conditions, and inclement weather such as rain, hail, sleet, snow, or wind.

If need separate table tops, remove (BB), (EE) and (FF), then use rubber hammer strike table rim to separate two tops.



Questions, problems, missing parts? Before returning to the store,  
call Hampton Bay Customer Service.  
8 a.m. - 7 p.m., EST, Monday - Friday, 9 a.m. - 6 p.m., EST, Saturday

**1-855-HD-HAMPTON**  
**HAMPTONBAY.COM**

Retain this manual for future use.

<b>For certification use only</b>
-----------------------------------

<b>Factory Model ID: 3038-DT7</b>
-----------------------------------