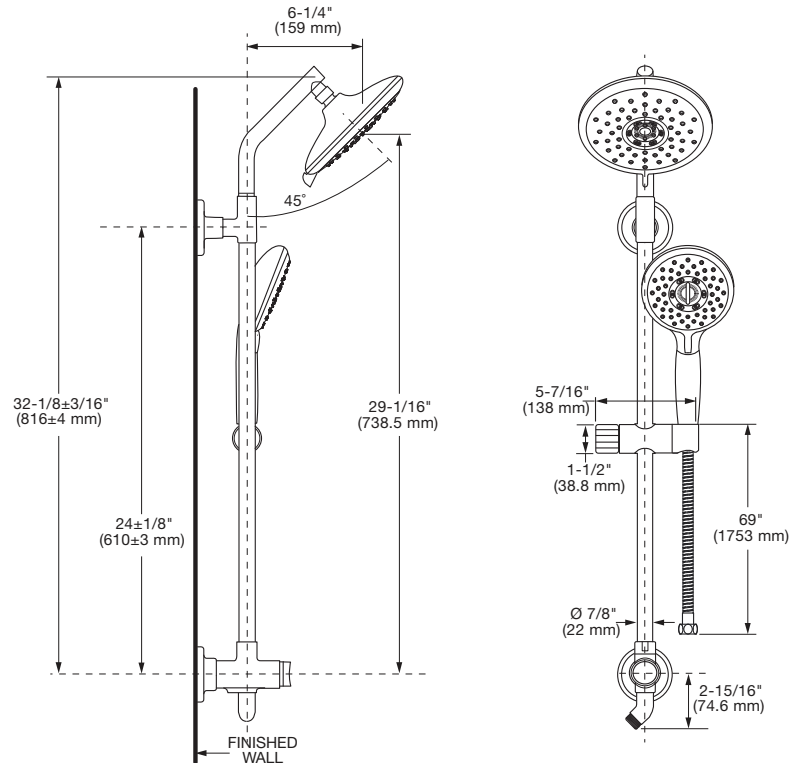


MODEL NUMBER:

□ **9038824 Shower System Kit 1.8 version**

Includes:

- Spectra+™ 4 Function Hand Shower
- Spectra+™ 7" Fixed shower head
- 3-Function Push-Button Diverter
- Slide Bar with Easy Glide Holder
- 69" Hose



GENERAL DESCRIPTION:

Complete shower system kit includes: 24" (610 mm) shower system; 69" (1750 mm) shower hose; a Spectra handheld water saving hand shower. 5" (127 mm) Hand shower adjusts from Drench to Sensitive to Powerwash® to Massage. Slide bar features an adjustable shower holder which can be set at any height or position along the bar and angle up to 45°. Kit includes two check valves to prevent backflow. 3-Function Push-Button Diverter 7" Fixed shower head.

PRODUCT FEATURES:

Water Saving: WaterSense® certified

3-Function Push-Button Diverter:

Switch between showerhead and hand shower for use alone or together.

Shower Hose: Extra-long 69" hose is made of durable metal.

HAND SHOWER

Variety of Spray Functions: Allows the user to select the spray functions best suited to their needs.

SLIDE BAR

Simple Height Adjustment: Allows positioning of the personal shower anywhere along the bar.

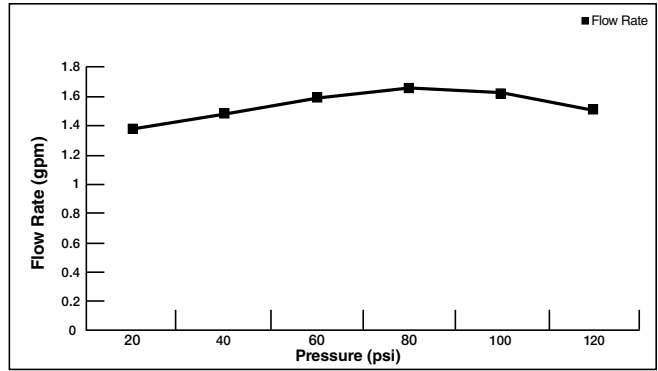
SUGGESTED SPECIFICATION

Shower system shall feature a 69" hose and hand shower. Hand Shower and shower head shall be WaterSense certified. Shower system shall have a pressure compensating control device. Kit shall include two check valves to prevent backflow. Fitting shall be American Standard Model # 9038824.002.

CODES AND STANDARDS

These products meet or exceed the following codes and standards:

**ASME A112.18.1
CSA B125.1**



Product Number	Description	Finish
		Polished Chrome
9038824	Spectra Versa™ 24" Shower System Kit. Contains Spectra+™ hand shower and 69" hose. And Spectra+ fixed shower head.	002