

MS19M8000A

1.9 cu. ft. Countertop Microwave

SAMSUNG



Signature Features

1.9 cu. ft. Capacity

- Accommodates a variety of dishes so you can prep large meals quickly.

Sensor Cook

- Automatically adjusts cooking time for optimal results.

Ceramic Enamel Interior

- Scratch-resistant and easy-to-clean interior.
- Makes removing grease or oil effortless and protects against scratches from daily use.

Available Colors



Stainless Steel (shown)



Fingerprint Resistant
Black Stainless Steel



Sensor Cook



Ceramic Enamel Interior

Features

- Eco Mode
- Cooking Presets
- 950W of Cooking Power
- 10 Power Levels
- Auto Defrost
- LED Display
- 30" Trim Kit Options Available
(See next page for details.)

Convenience

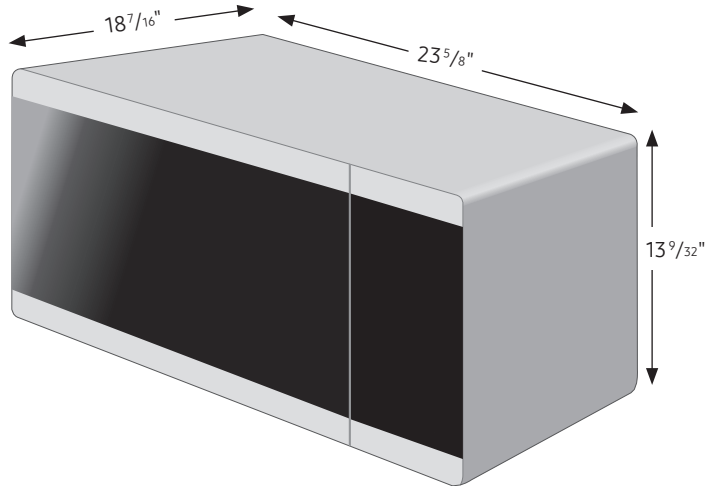
- Kitchen Timer
- Clock (12 hr/24 hr) with
Daylight Saving Time Adjustment
- Child Safety Lock
- Reminder End Signal

MS19M8000A

SAMSUNG

1.9 cu. ft. Countertop Microwave

Dimensions



Specifications

- Oven Cavity: 1.9 cu. ft.
- Power Output: 950W
- Power Consumption: 1600W/13.3 A
- Power Source: 120V / 60 Hz
- Control Method: Electronic Touch
- Display: LED (Ice Blue)
- Cooking Control: 10 Power Levels Including Defrost
- Cooking Timer: Digital, up to 99 Minutes, 99 Seconds
- Microwave Distribution System: Turntable

Warranty

One (1) Year Parts and Labor
Ten (10) Years on Magnetron Microwave Technology

Product Dimensions & Weight (WxHxD)

Outside Dimensions: $23\frac{5}{8}$ " x $13\frac{9}{32}$ " x $18\frac{7}{16}$ "
Interior Cavity Dimensions: $17\frac{3}{8}$ " x $10\frac{5}{8}$ " x $17\frac{13}{16}$ "
Weight: 43.03 lbs.

Shipping Dimensions & Weight (WxHxD)

Dimensions: $26\frac{1}{4}$ " x $16\frac{13}{32}$ " x $20\frac{1}{4}$ "
Weight: 47.97 lbs.

Microwave Color	Model #	UPC Code
Stainless Steel	MS19M8000AS	887276212050
Fingerprint Resistant		
Black Stainless Steel	MS19M8000AG	887276212043

Countertop Microwave and Trim Kit for Built-in Applications

For installation with Wall Ovens, respective codes must be paired together:

Color	Product	Model #	UPC Code:
Stainless Steel	Microwave	MS19M8000AS	887276212050
Stainless Steel	Trim Kit	MA-TK8020TS	887276224466
Fingerprint Resistant			
Black Stainless Steel	Microwave	MS19M8020TG	887276212067
Fingerprint Resistant			
Black Stainless Steel	Trim Kit	MA-TK8020TG	887276224459