

Pro Series

Anaheim Privacy Gate

Installation Tips

Planning

- Prior to construction, check with your local regulatory agency for special code requirements in your area.
- Contact your utility supplier to locate and mark underground lines.
- Careful planning and measuring of your fence project is essential, as moving posts after the concrete sets is extremely difficult.

Distance Between Posts (inside to inside)

- For a single gate, measure the actual width of the gate and add 2". (For instance: A 48" wide gate would have an inside to inside post distance of 50")
- For double gates, measure the actual total width of both gates and add 3". (For instance: Two 60" wide gate leaves would have an inside to inside post distance of 123")

Digging Post Holes

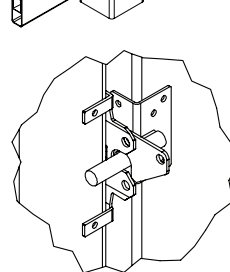
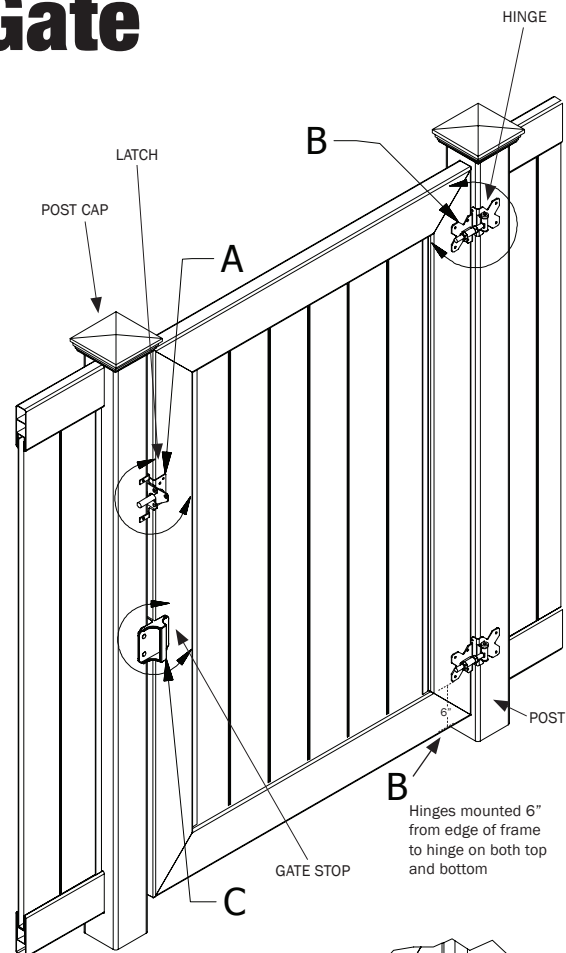
- (DETAIL D) Dig post holes 12" to 16" in diameter and 36" to 42" deep (depending on local ordinance or expected frost depth in winter).

Setting and Installing Posts and Panels

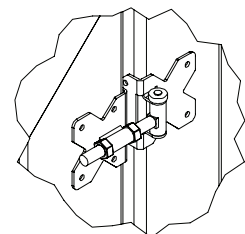
- Insert a post into the hole. Level and adjust the height as needed using gravel. (DETAIL D)
- Fill holes with concrete, mix thoroughly and follow directions on the bag. Check to make sure posts are still level. Let concrete properly cure according to manufacturer's recommendations before hanging gate(s). (DETAIL D)

Hanging the Gate(s)

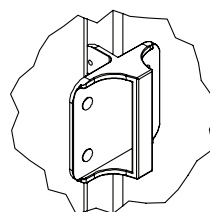
- Lay the gate on a flat surface or ground. Add hinges to gate frame (as per diagram) 6" from top and 6" from bottom (using screws provided with hinges). (DETAIL B) **IMPORTANT NOTE: Double check before adding hinges that desired swing direction and latch position is correct.**
- Place gate against hinge post, adjust height accordingly, attach hinges to post using provided screws. (DETAIL B)
- Adjust gate hinges (if necessary) to achieve 1" spacing between latch post and gate and that the gate is square overall.
- Add latch to gate with screws provided. **IMPORTANT NOTE: Before you add screw, make sure the latch is in correct position to accommodate for the swing of the gate.** (DETAIL A)
- It is highly recommended to add a gate stop to the bottom of the gate to protect from damage through slamming. (DETAIL C)
- Install a post cap on each post using PVC glue or an exterior adhesive.
- For double drive gates, it is strongly recommended to use a drop rod on each leaf of the gate.



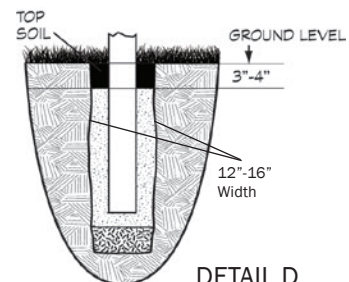
DETAIL A



DETAIL B



DETAIL C



DETAIL D

Customer Service 855-556-1852

www.ufpi.com

The diagrams and instructions shown are for illustration purposes only and are not meant to replace a licensed professional. Any construction or use of the product must be in accordance with all local zoning and building codes. The consumer assumes all risks and liability associated with the construction or use of this product. The consumer or contractor should take all necessary steps to ensure the safety of everyone involved in the project, including, but not limited to, wearing the appropriate safety equipment. EXCEPT AS CONTAINED IN THE WRITTEN LIMITED WARRANTY, THE WARRANTOR DOES NOT PROVIDE ANY OTHER WARRANTY, EITHER EXPRESS OR IMPLIED, AND SHALL NOT BE LIABLE FOR ANY DAMAGES, INCLUDING CONSEQUENTIAL DAMAGES.

Pro Series

Hayward Privacy Gate Installation Tips

Planning

- Prior to construction, check with your local regulatory agency for special code requirements in your area.
- Contact your utility supplier to locate and mark underground lines.
- Careful planning and measuring of your fence project is essential, as moving posts after the concrete sets is extremely difficult.

Distance Between Posts (inside to inside)

- For a single gate, measure the actual width of the gate and add 2". (For instance: A 48" wide gate would have an inside to inside post distance of 50")
- For double gates, measure the actual total width of both gates and add 3". (For instance: Two 60" wide gate leaves would have an inside to inside post distance of 123")

Digging Post Holes

- Dig post holes 12" to 16" in diameter and 36" to 42" deep (depending on local ordinance or expected frost depth in winter).

Setting and Installing Posts and Panels

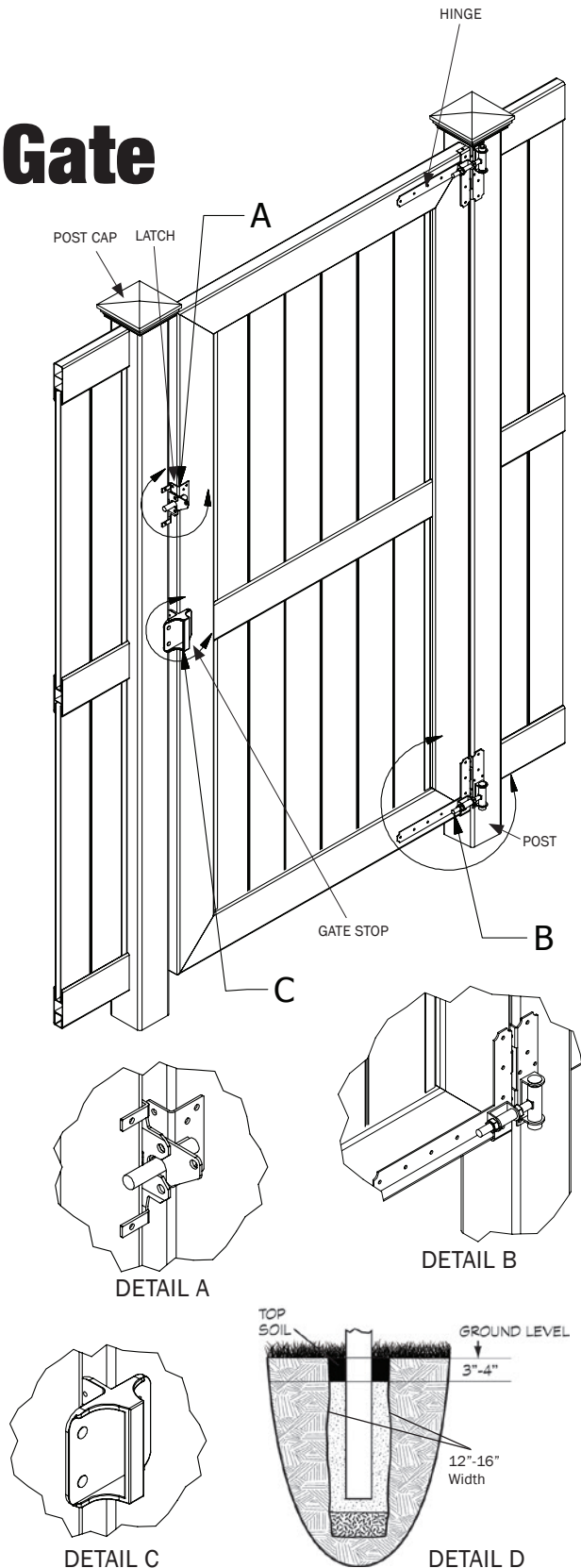
- Insert a post into the hole. Level and adjust the height as needed using gravel.
- Fill holes with concrete, mix thoroughly and follow directions on the bag. Check to make sure posts are still level. Let concrete properly cure according to manufacturer's recommendations before hanging gate(s).

Hanging the Gate(s)

- Lay the gate on a flat surface or ground. Add hinges to gate frame (as per DETAIL B). **IMPORTANT NOTE: Double check before adding hinges that desired swing direction and latch position is correct.**
- Place gate against hinge post, adjust height accordingly, attach hinges to post using provided screws (DETAIL A).
- Adjust gate hinges (if necessary) to achieve 1" spacing between latch post and gate and that the gate is square overall.
- Add latch to gate with screws provided. **IMPORTANT NOTE: Before you add screw, make sure the latch is in correct position to accommodate for the swing of the gate.** (DETAIL A)
- It is highly recommended to add a gate stop to the bottom of the gate to protect from damage through slamming (DETAIL C).
- Install a post cap on each post using PVC glue or an exterior adhesive.
- For double drive gates, it is strongly recommended to use a drop rod on each leaf of the gate.

Customer Service 855-556-1852

www.ufpi.com



The diagrams and instructions shown are for illustration purposes only and are not meant to replace a licensed professional. Any construction or use of the product must be in accordance with all local zoning and building codes. The consumer assumes all risks and liability associated with the construction or use of this product. The consumer or contractor should take all necessary steps to ensure the safety of everyone involved in the project, including, but not limited to, wearing the appropriate safety equipment. EXCEPT AS CONTAINED IN THE WRITTEN LIMITED WARRANTY, THE WARRANTOR DOES NOT PROVIDE ANY OTHER WARRANTY, EITHER EXPRESS OR IMPLIED, AND SHALL NOT BE LIABLE FOR ANY DAMAGES, INCLUDING CONSEQUENTIAL DAMAGES.

Pro Series

Arched Woodbridge Privacy Gate Installation Tips

Planning

- Prior to construction, check with your local regulatory agency for special code requirements in your area.
- Contact your utility supplier to locate and mark underground lines.
- Careful planning and measuring of your fence project is essential, as moving posts after the concrete sets is extremely difficult.

Distance Between Posts (inside to inside)

- For a single gate, measure the actual width of the gate and add 2". (For instance: A 48" wide gate would have an inside to inside post distance of 50")
- For double gates, measure the actual total width of both gates and add 3". (For instance: Two 60" wide gate leaves would have an inside to inside post distance of 123")

Digging Post Holes

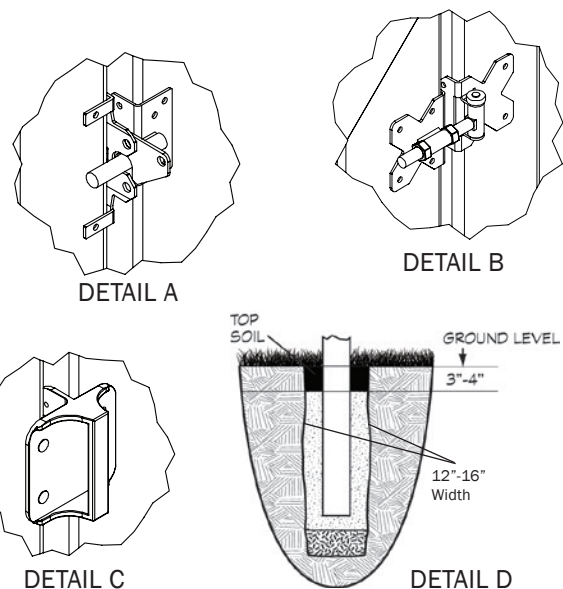
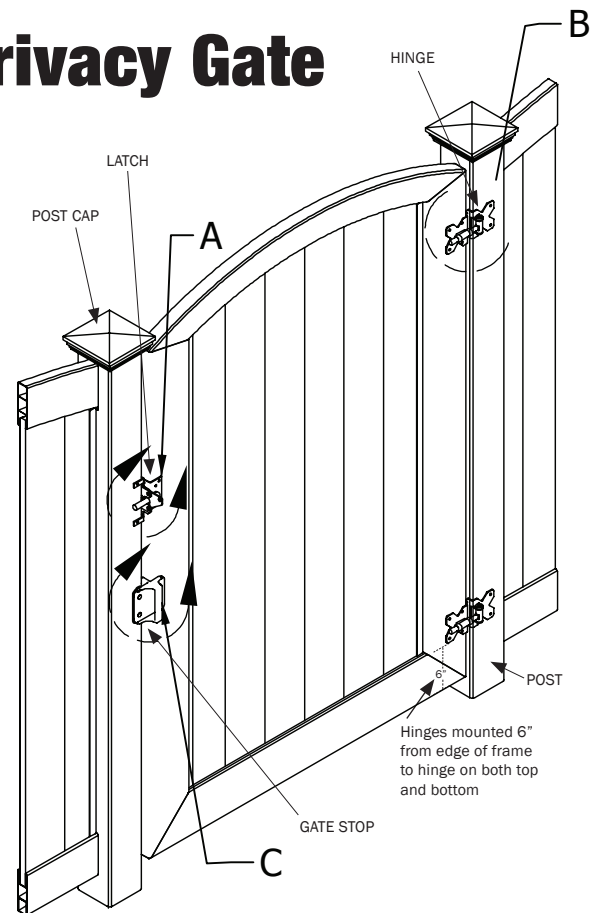
- (DETAIL D) Dig post holes 12" to 16" in diameter and 36" to 42" deep (depending on local ordinance or expected frost depth in winter).

Setting and Installing Posts and Panels

- Insert a post into the hole. Level and adjust the height as needed using gravel. (DETAIL D)
- Fill holes with concrete, mix thoroughly and follow directions on the bag. Check to make sure posts are still level. Let concrete properly cure according to manufacturer's recommendations before hanging gate(s). (DETAIL D)

Hanging the Gate(s)

- Lay the gate on a flat surface or ground. Add hinges to gate frame (as per diagram) 6" from top and 6" from bottom (using screws provided with hinges). (DETAIL B) **IMPORTANT NOTE: Double check before adding hinges that desired swing direction and latch position is correct.**
- Place gate against hinge post, adjust height accordingly, attach hinges to post using provided screws. (DETAIL B)
- Adjust gate hinges (if necessary) to achieve 1" spacing between latch post and gate and that the gate is square overall.
- Add latch to gate with screws provided. **IMPORTANT NOTE: Before you add screw, make sure the latch is in correct position to accommodate for the swing of the gate.** (DETAIL A)
- It is highly recommended to add a gate stop to the bottom of the gate to protect from damage through slamming. (DETAIL C)
- Install a post cap on each post using PVC glue or an exterior adhesive.
- For double drive gates, it is strongly recommended to use a drop rod on each leaf of the gate.



Customer Service 855-556-1852

www.ufpi.com

The diagrams and instructions shown are for illustration purposes only and are not meant to replace a licensed professional. Any construction or use of the product must be in accordance with all local zoning and building codes. The consumer assumes all risks and liability associated with the construction or use of this product. The consumer or contractor should take all necessary steps to ensure the safety of everyone involved in the project, including, but not limited to, wearing the appropriate safety equipment. EXCEPT AS CONTAINED IN THE WRITTEN LIMITED WARRANTY, THE WARRANTOR DOES NOT PROVIDE ANY OTHER WARRANTY, EITHER EXPRESS OR IMPLIED, AND SHALL NOT BE LIABLE FOR ANY DAMAGES, INCLUDING CONSEQUENTIAL DAMAGES.

Pro Series Arched Lattice Woodbridge Privacy Gate Installation Tips

Planning

- Prior to construction, check with your local regulatory agency for special code requirements in your area.
- Contact your utility supplier to locate and mark underground lines.
- Careful planning and measuring of your fence project is essential, as moving posts after the concrete sets is extremely difficult.

Distance Between Posts (inside to inside)

- For a single gate, measure the actual width of the gate and add 2". (For instance: A 48" wide gate would have an inside to inside post distance of 50")
- For double gates, measure the actual total width of both gates and add 3". (For instance: Two 60" wide gate leaves would have an inside to inside post distance of 123")

Digging Post Holes

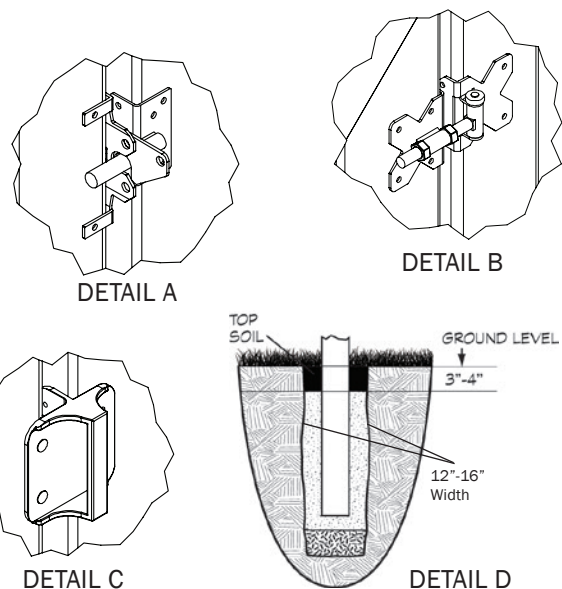
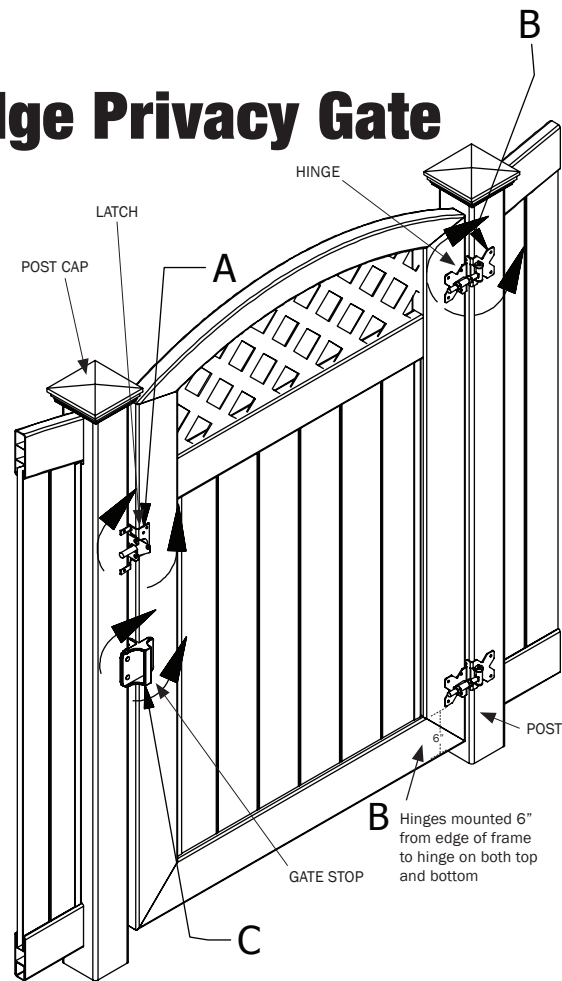
- (DETAIL D) Dig post holes 12" to 16" in diameter and 36" to 42" deep (depending on local ordinance or expected frost depth in winter).

Setting and Installing Posts and Panels

- Insert a post into the hole. Level and adjust the height as needed using gravel. (DETAIL D)
- Fill holes with concrete, mix thoroughly and follow directions on the bag. Check to make sure posts are still level. Let concrete properly cure according to manufacturer's recommendations before hanging gate(s). (DETAIL D)

Hanging the Gate(s)

- Lay the gate on a flat surface or ground. Add hinges to gate frame (as per diagram) 6" from top and 6" from bottom (using screws provided with hinges). (DETAIL B) **IMPORTANT NOTE: Double check before adding hinges that desired swing direction and latch position is correct.**
- Place gate against hinge post, adjust height accordingly, attach hinges to post using provided screws. (DETAIL B)
- Adjust gate hinges (if necessary) to achieve 1" spacing between latch post and gate and that the gate is square overall.
- Add latch to gate with screws provided. **IMPORTANT NOTE: Before you add screw, make sure the latch is in correct position to accommodate for the swing of the gate.** (DETAIL A)
- It is highly recommended to add a gate stop to the bottom of the gate to protect from damage through slamming. (DETAIL C)
- Install a post cap on each post using PVC glue or an exterior adhesive.
- For double drive gates, it is strongly recommended to use a drop rod on each leaf of the gate.



Customer Service 855-556-1852

www.ufpi.com

The diagrams and instructions shown are for illustration purposes only and are not meant to replace a licensed professional. Any construction or use of the product must be in accordance with all local zoning and building codes. The consumer assumes all risks and liability associated with the construction or use of this product. The consumer or contractor should take all necessary steps to ensure the safety of everyone involved in the project, including, but not limited to, wearing the appropriate safety equipment. EXCEPT AS CONTAINED IN THE WRITTEN LIMITED WARRANTY, THE WARRANTOR DOES NOT PROVIDE ANY OTHER WARRANTY, EITHER EXPRESS OR IMPLIED, AND SHALL NOT BE LIABLE FOR ANY DAMAGES, INCLUDING CONSEQUENTIAL DAMAGES.

Pro Series

Puerta de privacidad Anaheim

Consejos de instalación

Planificación

- Antes de la construcción, chequee con su agencia local de regulaciones por algún requerimiento de códigos especiales en su área.
- Comuníquese con su proveedor de servicio público para localizar y marcar las líneas subterráneas.
- Planifique y mida con mucho cuidado su proyecto de cercos, es muy importante, ya que mover los postes después que el cemento seca es muy difícil.

Distancia entre postes (desde adentro)

- Para una sola puerta, mida el ancho actual de la puerta y agregue 2". (Por ejemplo: para una puerta de 48" de ancho la distancia interior de poste a poste sería de 50")
- Para puertas dobles, mida el ancho total de ambas puertas y agregue 3". (Por ejemplo: para dos puertas con un ancho total de 60", la distancia interior de poste a poste sería de 123")

Excavación de los huecos para los postes

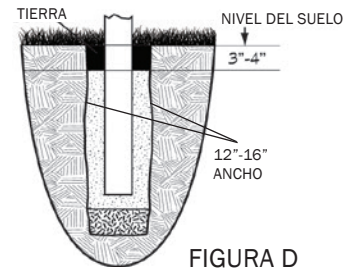
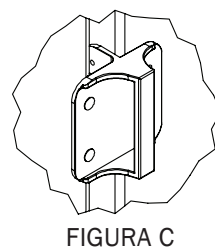
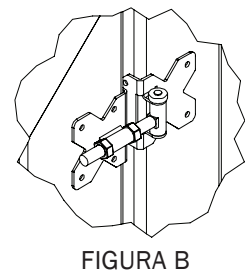
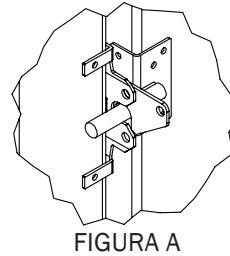
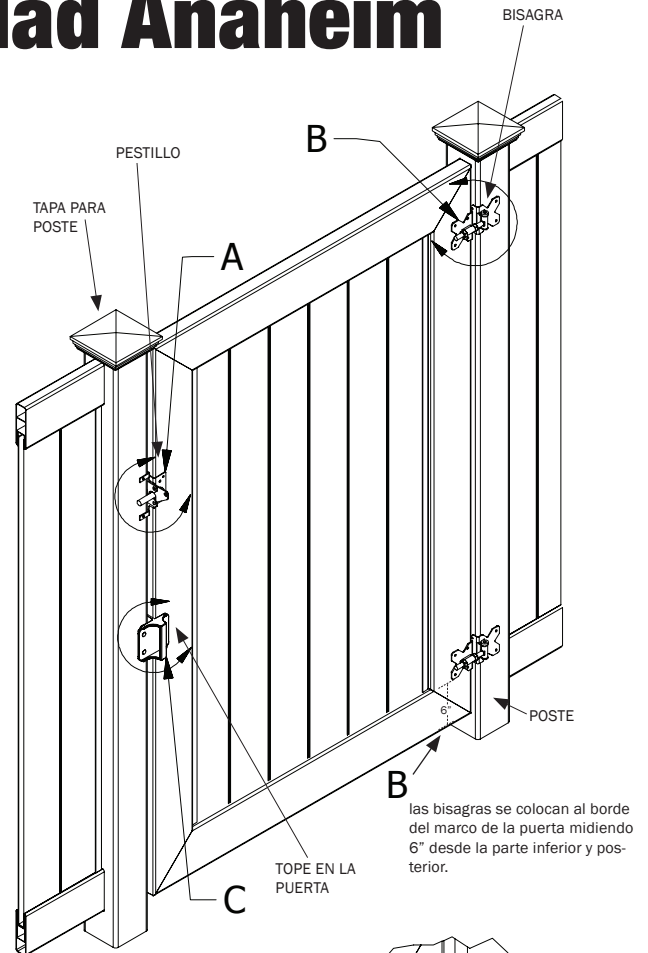
- (FIGURA D) Excave los huecos de 12" a 16" de diámetro y de 36" a 42" de profundidad (dependiendo de alguna ordenanza local o de la profundidad de la tierra en invierno a causa del congelamiento).

Colocación e instalación de postes y paneles

- Inserte el poste en el hueco. Nivele y ajuste la altura necesaria utilizando gravilla (FIGURA D)
- Llene los huecos con cemento, mézclelo y siga las instrucciones de la bolsa. Asegúrese de revisar que los postes estén a nivel. Deje secar el cemento de acuerdo a las recomendaciones del fabricante antes de poner la(s) puerta(s). (FIGURA D)

Colocación de la(s) puerta(s)

- Coloque la puerta en una superficie plana o en el suelo. Agregue las bisagras al marco de la puerta (vea el dibujo) midiendo 6" desde la parte superior y 6" desde la parte inferior (utilizando los tornillos que vienen con las bisagras) (FIGURA B) **NOTA IMPORTANTE: Antes de colocar las bisagras revise nuevamente que la dirección por donde se abre la puerta y la posición del pestillo sean correctas.**
- Coloque la puerta contra el poste que tendrá la bisagra, ajuste la altura apropiadamente, coloque las bisagras al poste utilizando los tornillos proporcionados (FIGURA B)
- Ajuste las bisagras de la puerta (si es necesario) para que llegue a 1" de espacio entre el pestillo del poste y de la puerta, asegurándose que la puerta no se haya movido y permanezca cuadrada.
- Agregue el pestillo a la puerta con los tornillos proporcionados. **NOTA IMPORTANTE: Antes de colocar el tornillo, asegúrese que el pestillo esté en la posición correcta para poder abrir la puerta (FIGURA A)**
- Se recomienda encarecidamente que coloque un tope en la parte inferior de la puerta para protegerla de algún daño causado por los portazos (FIGURA C)
- Instale una tapa en cada poste usando pegamento para PVC o un adhesivo para exteriores.



Servicio al cliente: 855-556-1852

www.ufpi.com

El diagrama y las instrucciones mostradas son solamente para propósitos de ilustración y no están hechas para reemplazar a un profesional certificado. Cualquier construcción o uso de un producto debe seguir los códigos de edificación y los reglamentos de zonificación locales. El consumidor asume el riesgo y responsabilidad asociada con la construcción o uso de este producto. El consumidor o contratista deben de seguir todos los pasos necesarios para garantizar la seguridad de todos los involucrados en el proyecto, incluyendo pero no limitando el uso de un equipo apropiado de seguridad. A EXCEPCIÓN DEL CONTENIDO DE LA GARANTÍA LIMITADA POR ESCRITO, EL GARANTE NO PROVEE NI EXPRESA O SUGIERE NINGUNA OTRA GARANTÍA, Y NO DEBE SER RESPONSABLE POR ALGUN DAÑO, QUE INCLUYEN DAÑOS EMERGENTES.

Pro Series

Puerta de privacidad Hayward

Consejos de instalación

Planificación

- Antes de la construcción, chequee con su agencia local de regulaciones por algún requerimiento de códigos especiales en su área.
- Comuníquese con su proveedor de servicio público para localizar y marcar las líneas subterráneas.
- Planifique y mida con mucho cuidado su proyecto de cercos, es muy importante, ya que mover los postes después que el cemento seca es muy difícil.

Distancia entre postes (desde adentro)

- Para una sola puerta, mida el ancho actual de la puerta y agregue 2". (Por ejemplo: para una puerta de 48" de ancho la distancia interior de poste a poste sería de 50")
- Para puertas dobles, mida el ancho total de ambas puertas y agregue 3". (Por ejemplo: para dos puertas con un ancho total de 60", la distancia interior de poste a poste sería de 123")

Excavación de los huecos para los postes

- Excave los huecos de 12" a 16" de diámetro y de 36" a 42" de profundidad (dependiendo de alguna ordenanza local o de la profundidad de la tierra en invierno a causa del congelamiento).

Colocación e instalación de postes y paneles

- Inserte el poste en el hueco. Nivele y ajuste la altura necesaria utilizando gravilla.
- Llene los huecos con cemento, mézclelo y siga las instrucciones de la bolsa. Asegúrese de revisar que los postes estén a nivel. Deje secar el cemento de acuerdo a las recomendaciones del fabricante antes de poner la(s) puerta(s).

Colocación de la(s) puerta(s)

- Coloque la puerta en una superficie plana o en el suelo. Agregue las bisagras al marco de la puerta (vea FIGURA B) **NOTA IMPORTANTE: Antes de colocar las bisagras revise nuevamente que la dirección por donde se abre la puerta y la posición del pestillo sean correctas.**
- Coloque la puerta contra el poste que tendrá la bisagra, ajuste la altura apropiadamente, coloque las bisagras al poste utilizando los tornillos proporcionados (FIGURA B)
- Ajuste las bisagras de la puerta (si es necesario) para que llegue a 1" de espacio entre el pestillo del poste y de la puerta, asegurándose que la puerta no se haya movido y permanezca cuadrada.
- Agregue el pestillo a la puerta con los tornillos proporcionados. **NOTA IMPORTANTE: Antes de colocar el tornillo, asegúrese que el pestillo esté en la posición correcta para poder abrir la puerta (FIGURA A)**
- Se recomienda encarecidamente que coloque un tope en la parte inferior de la puerta para protegerla de algún daño causado por los portazos (FIGURA C)
- Instale una tapa en cada poste usando pegamento para PVC o un adhesivo para exteriores.

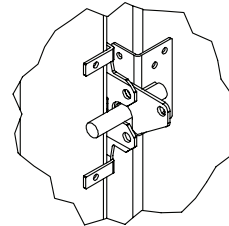
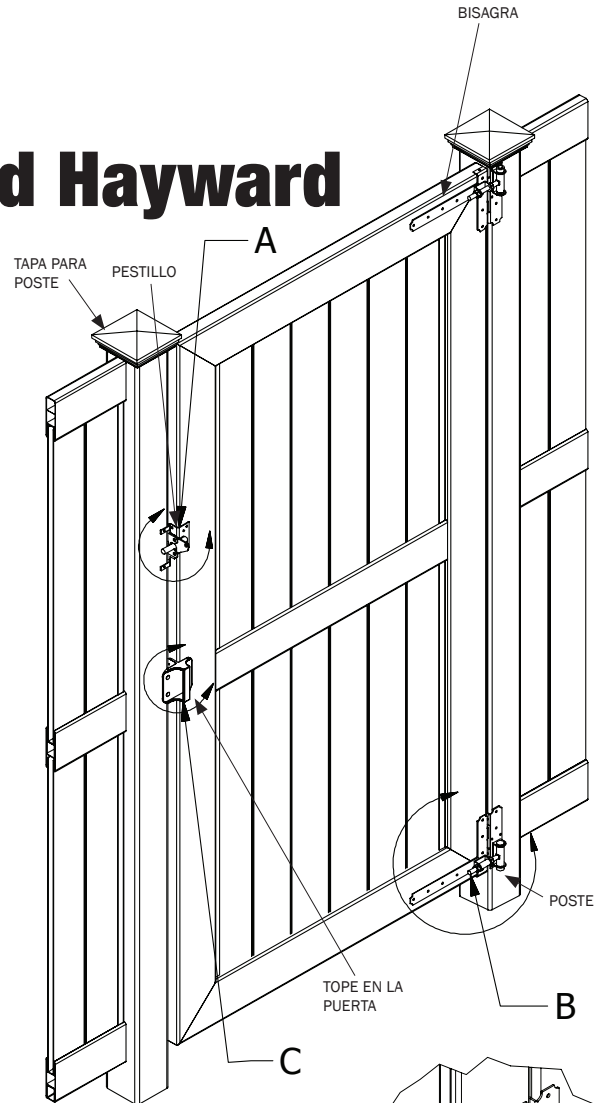


FIGURA A

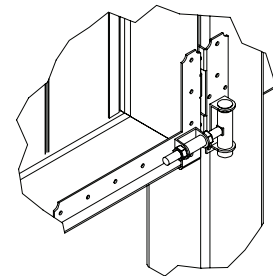


FIGURA B

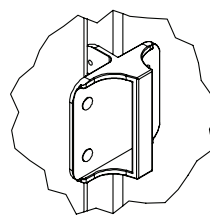


FIGURA C

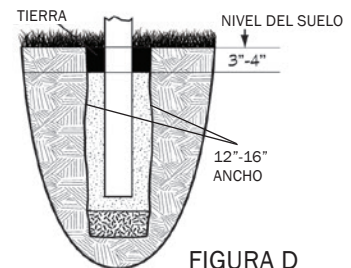


FIGURA D

Servicio al cliente: 855-556-1852

www.ufpi.com

El diagrama y las instrucciones mostradas son solamente para propósitos de ilustración y no están hechas para reemplazar a un profesional certificado. Cualquier construcción o uso de un producto debe seguir los códigos de edificación y los reglamentos de zonificación locales. El consumidor asume el riesgo y responsabilidad asociada con la construcción o uso de este producto. El consumidor o contratista deben de seguir todos los pasos necesarios para garantizar la seguridad de todos los involucrados en el proyecto, incluyendo pero no limitando el uso de un equipo apropiado de seguridad. A EXCEPCIÓN DEL CONTENIDO DE LA GARANTÍA LIMITADA POR ESCRITO, EL GARANTE NO PROVEE NI EXPRESA O SUGIERE NINGUNA OTRA GARANTÍA, Y NO DEBE SER RESPONSABLE POR ALGUN DAÑO, QUE INCLUYEN DAÑOS EMERGENTES.

Pro Series

Puerta de privacidad Woodbridge con arco

Consejos de instalación

Planificación

- Antes de la construcción, chequee con su agencia local de regulaciones por algún requerimiento de códigos especiales en su área.
- Comuníquese con su proveedor de servicio público para localizar y marcar las líneas subterráneas.
- Planifique y mida con mucho cuidado su proyecto de cercos, es muy importante, ya que mover los postes después que el cemento seca es muy difícil.

Distancia entre postes (desde adentro)

- Para una sola puerta, mida el ancho actual de la puerta y agregue 2". (Por ejemplo: para una puerta de 48" de ancho la distancia interior de poste a poste sería de 50")
- Para puertas dobles, mida el ancho total de ambas puertas y agregue 3". (Por ejemplo: para dos puertas con un ancho total de 60", la distancia interior de poste a poste sería de 123")

Excavación de los huecos para los postes

- Excave los huecos de 12" a 16" de diámetro y de 36" a 42" de profundidad (dependiendo de alguna ordenanza local o de la profundidad de la tierra en invierno a causa del congelamiento).

Colocación e instalación de postes y paneles

- Inserte el poste en el hueco. Nivele y ajuste la altura necesaria utilizando gravilla. (FIGURA D)
- Llene los huecos con cemento, mézclelo y siga las instrucciones de la bolsa. Asegúrese de revisar que los postes estén a nivel. Deje secar el cemento de acuerdo a las recomendaciones del fabricante antes de poner la(s) puerta(s). (FIGURA D)

Colocación de la(s) puerta(s)

- Coloque la puerta en una superficie plana o en el suelo. Agregue las bisagras al marco de la puerta (vea el dibujo) midiendo 6" desde la parte superior y 6" desde la parte inferior (utilizando los tornillos que vienen con las bisagras) (FIGURA B) **NOTA IMPORTANTE:** Antes de colocar las bisagras revise nuevamente que la dirección por donde se abre la puerta y la posición del pestillo sean correctas.
- Coloque la puerta contra el poste que tendrá la bisagra, ajuste la altura apropiadamente, coloque las bisagras al poste utilizando los tornillos proporcionados (FIGURA A)
- Ajuste las bisagras de la puerta (si es necesario) para que llegue a 1" de espacio entre el pestillo del poste y de la puerta, asegurándose que la puerta no se haya movido y permanezca cuadrada.
- Agregue el pestillo a la puerta con los tornillos proporcionados. **NOTA IMPORTANTE:** Antes de colocar el tornillo, asegúrese que el pestillo esté en la posición correcta para poder abrir la puerta (FIGURA A)
- Se recomienda encarecidamente que coloque un tope en la parte inferior de la puerta para protegerla de algún daño causado por los portazos (FIGURA C)
- Instale una tapa en cada poste usando pegamento para PVC o un adhesivo para exteriores.

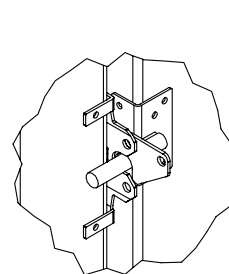
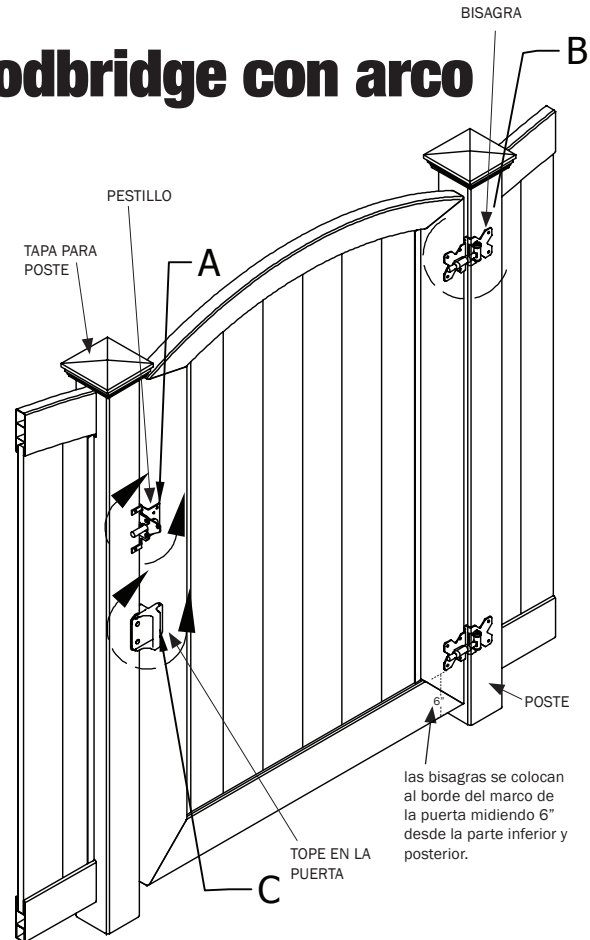


FIGURA A

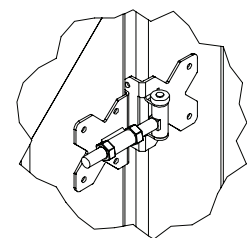


FIGURA B

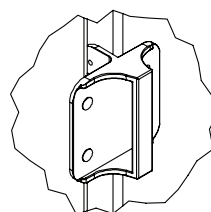


FIGURA C

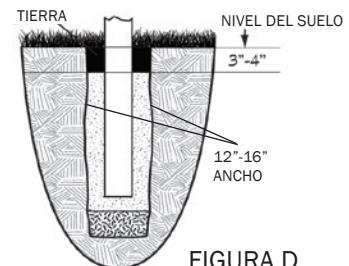


FIGURA D

Servicio al cliente: 855-556-1852

www.ufpi.com

El diagrama y las instrucciones mostradas son solamente para propósitos de ilustración y no están hechas para reemplazar a un profesional certificado. Cualquier construcción o uso de un producto debe seguir los códigos de edificación y los reglamentos de zonificación locales. El consumidor asume el riesgo y responsabilidad asociada con la construcción o uso de este producto. El consumidor o contratista deben de seguir todos los pasos necesarios para garantizar la seguridad de todos los involucrados en el proyecto, incluyendo pero no limitando el uso de un equipo apropiado de seguridad. A EXCEPCION DEL CONTENIDO DE LA GARANTIA LIMITADA POR ESCRITO, EL GARANTE NO PROVEE NI EXPRESA O SUGIERE NINGUNA OTRA GARANTIA, Y NO DEBE SER RESPONSABLE POR ALGUN DAÑO, QUE INCLUYEN DAÑOS EMERGENTES.

Pro Series

Puerta de privacidad Woodbridge con arco

Consejos de instalación

Planificación

- Antes de la construcción, chequee con su agencia local de regulaciones por algún requerimiento de códigos especiales en su área.
- Comuníquese con su proveedor de servicio público para localizar y marcar las líneas subterráneas.
- Planifique y mida con mucho cuidado su proyecto de cercos, es muy importante, ya que mover los postes después que el cemento seca es muy difícil.

Distancia entre postes (desde adentro)

- Para una sola puerta, mida el ancho actual de la puerta y agregue 2". (Por ejemplo: para una puerta de 48" de ancho la distancia interior de poste a poste sería de 50")
- Para puertas dobles, mida el ancho total de ambas puertas y agregue 3". (Por ejemplo: para dos puertas con un ancho total de 60", la distancia interior de poste a poste sería de 123")

Excavación de los huecos para los postes

- (FIGURA D) Excave los huecos de 12" a 16" de diámetro y de 36" a 42" de profundidad (dependiendo de alguna ordenanza local o de la profundidad de la tierra en invierno a causa del congelamiento).

Colocación e instalación de postes y paneles

- Inserte el poste en el hueco. Nivele y ajuste la altura necesaria utilizando gravilla. (FIGURA D)
- Llene los huecos con cemento, mézclelo y siga las instrucciones de la bolsa. Asegúrese de revisar que los postes estén a nivel. Deje secar el cemento de acuerdo a las recomendaciones del fabricante antes de poner la(s) puerta(s). (FIGURA D)

Colocación de la(s) puerta(s)

- Coloque la puerta en una superficie plana o en el suelo. Agregue las bisagras al marco de la puerta (vea el dibujo) midiendo 6" desde la parte superior y 6" desde la parte inferior (utilizando los tornillos que vienen con las bisagras) (FIGURA B) **NOTA IMPORTANTE: Antes de colocar las bisagras revise nuevamente que la dirección por donde se abre la puerta y la posición del pestillo sean correctas.**
- Coloque la puerta contra el poste que tendrá la bisagra, ajuste la altura apropiadamente, coloque las bisagras al poste utilizando los tornillos proporcionados (FIGURA B)
- Ajuste las bisagras de la puerta (si es necesario) para que llegue a 1" de espacio entre el pestillo del poste y de la puerta, asegurándose que la puerta no se haya movido y permanezca cuadrada.
- Agregue el pestillo a la puerta con los tornillos proporcionados. **NOTA IMPORTANTE: Antes de colocar el tornillo, asegúrese que el pestillo esté en la posición correcta para poder abrir la puerta (FIGURA A)**
- Se recomienda encarecidamente que coloque un tope en la parte inferior de la puerta para protegerla de algún daño causado por los portazos (FIGURA C)
- Instale una tapa en cada poste usando pegamento para PVC o un adhesivo para exteriores.

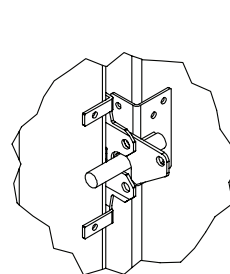
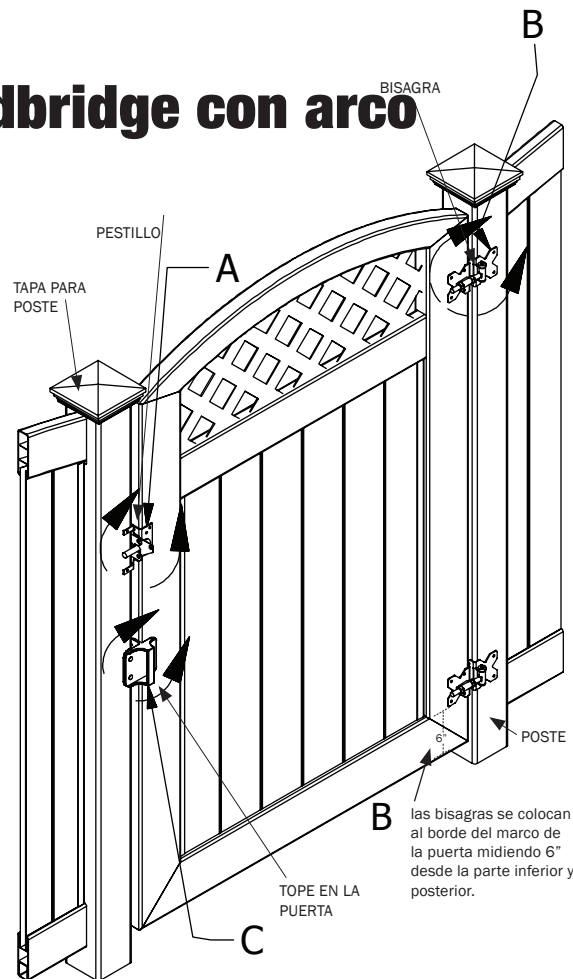


FIGURA A

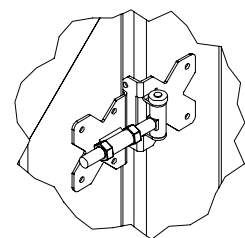


FIGURA B

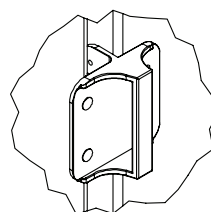


FIGURA C

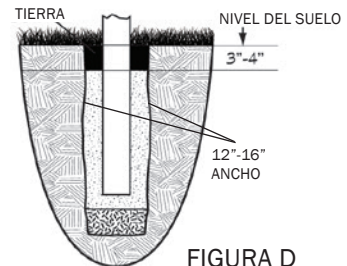


FIGURA D

Servicio al cliente: 855-556-1852
www.ufpi.com

El diagrama y las instrucciones mostradas son solamente para propósitos de ilustración y no están hechas para reemplazar a un profesional certificado. Cualquier construcción o uso de un producto debe seguir los códigos de edificación y los reglamentos de zonificación locales. El consumidor asume el riesgo y responsabilidad asociada con la construcción o uso de este producto. El consumidor o contratista deben de seguir todos los pasos necesarios para garantizar la seguridad de todos los involucrados en el proyecto, incluyendo pero no limitando el uso de un equipo apropiado de seguridad. A EXCEPCIÓN DEL CONTENIDO DE LA GARANTÍA LIMITADA POR ESCRITO, EL GARANTE NO PROVEE NI EXPRESA O SUGIERE NINGUNA OTRA GARANTÍA, Y NO DEBE SER RESPONSABLE POR ALGUN DAÑO, QUE INCLUYEN DAÑOS EMERGENTES.