

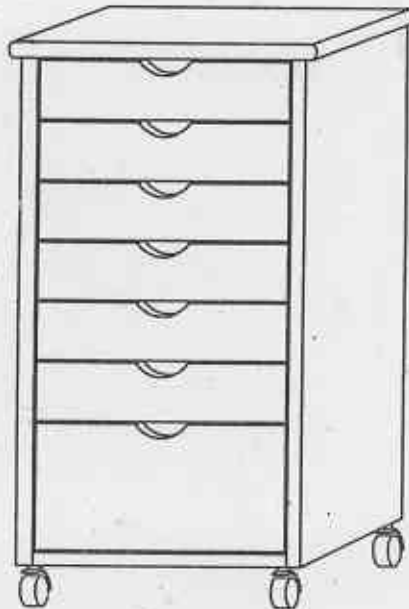
Home Decorators

— Collection —

BF-23102 STANTON COLLECTION STORAGE CART 6 +1 WIDE

ASSEMBLY INSTRUCTIONS





Made In China

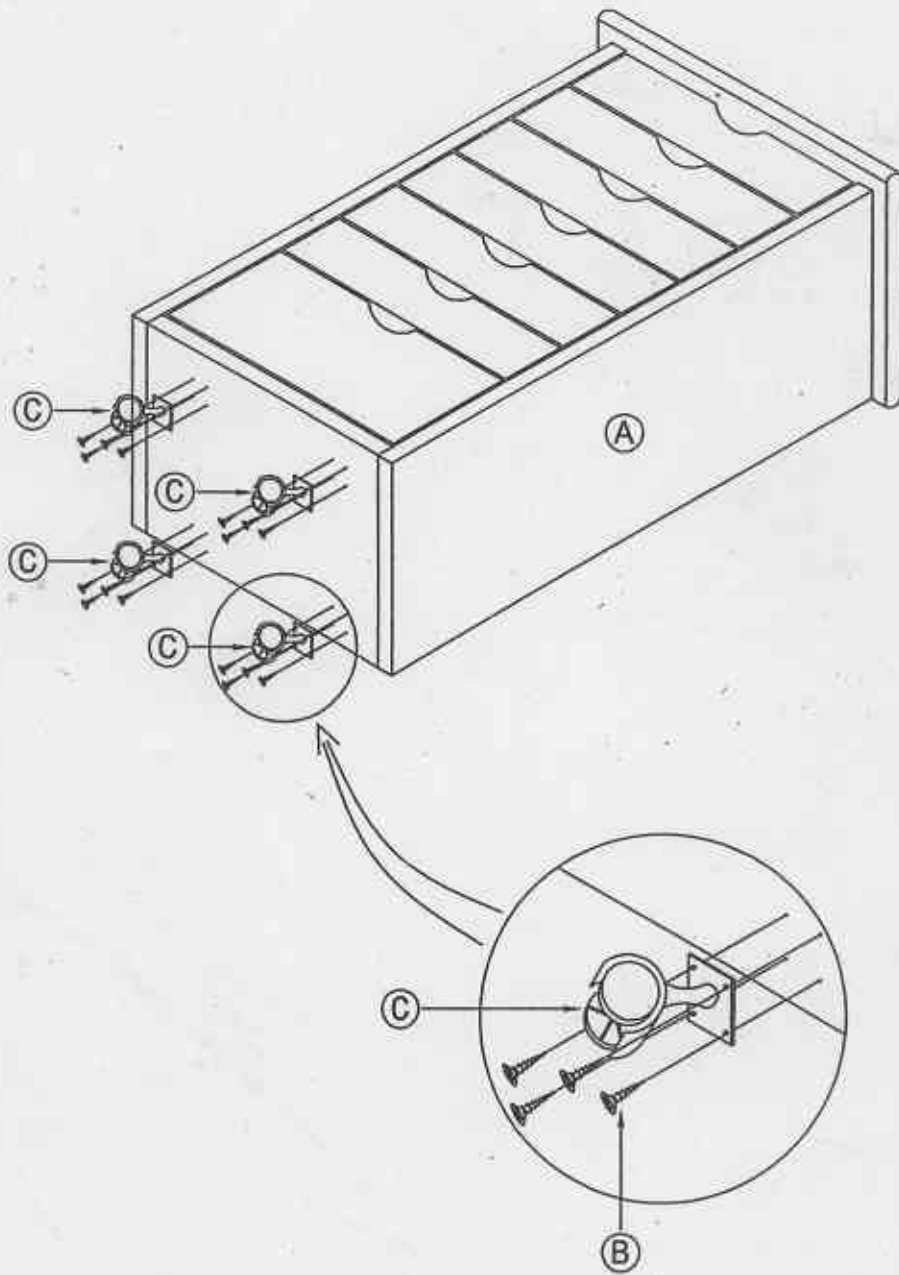


Thank you for purchasing this quality product. Be sure to check all packaging material carefully for small parts, which may have loose inside the carton during shipment. Once unpacked, compare all parts and hardware to the provided list to be sure all parts are present. If any parts or hardware are missing or damaged, please phone, e-mail or fax our Customer service Department. For speedy service, please provide your order number, item number and part number/letter of the part needed.

IMPORTANT NOTE: Follow instructions listed below in proper sequence as numbered to assure fast, easy and correct assembly.

PARTS LIST

A	B	C
 CABINET-1PC	 SCREWS-16PCS	 CASTER-4PCS
		



1) . ASSEMBLE THE CASTER(C) .

• ATTACH CASTER(C) TO BOTTOM PANEL OF CABINET(A) USING 16 SCREWS(B) .