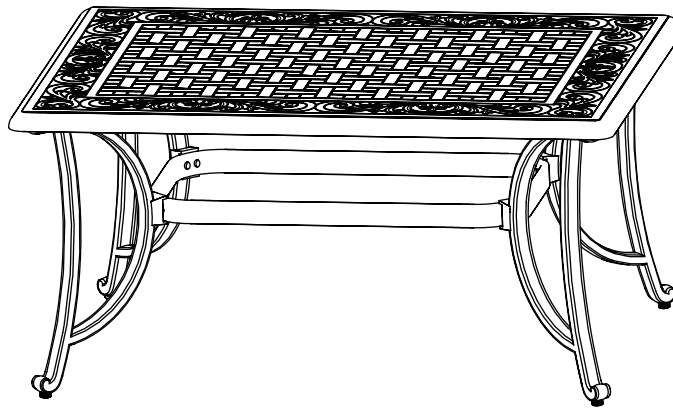


## USE AND CARE GUIDE

---

### MADRID 6-PIECE DEEP SEATING SET

(41 in. x 29 in. Rectangular Cast Top Coffee Table)



Questions, problems, missing parts? Before returning to the store,  
call Home Decorators Collection Customer Service  
8.00 a.m. - 6.00 p.m., EST, Monday - Friday

**1-800-245-2217**

**HOMEDECORATORS.COM**

---


**THANK YOU**


*We appreciate the trust and confidence you have placed in Home Decorators Collection through the purchase of this 6-piece set. We strive to continually create quality products designed to enhance your home. Visit us online to see our full line of products available for your home improvement needs. Thank you for choosing Home Decorators Collection.*

# Table of Contents


Table of Contents.....	2	Pre-Assembly .....	3
Safety Information.....	2	Planning Assembly .....	3
Warranty.....	2	Hardware Included.....	3
5 Year Frame and Table Top /		Package Contents .....	4
1 Year Cushion Fabric Limited Warranty.....	2	Assembly .....	5
What Is Covered .....	2		
What Is Not Covered .....	2		
Care Instructions .....	2		

# Safety Information

 **DANGER:** Please keep children out of the assembly area during assembly.

 **WARNING:** Do not stand or sit on the table. Do not put heavy objects on the table.

 **CAUTION:** Use the table on flat ground only.

 **IMPORTANT:** Please check the tightness of bolts at least every 180 days.

# Warranty

## FIVE YEAR FRAME AND TABLE TOP/ONE YEAR FABRIC LIMITED WARRANTY

### WHAT IS COVERED

We warrant the frame and table top to be free of manufacturing defects to the original purchaser for five years and the cushion fabric for one year.

### WHAT IS NOT COVERED

It remains the customer's responsibility for freight and packaging charges to and from our service center. This warranty does not cover commercial use, hardware, acts of nature, fire, freezing and abusive use. In addition, purchased parts are not covered under this warranty. We reserve the right to make substitutions with similar merchandise, if the model in question is no longer in production.

# Care Instructions

Before using, wipe with a clean, dry cloth. Do not use bleach or solvents. Treat the frame with liquid wax for maximum protection against UV light and salty, damp air. When not in use, store furniture in a cool, dry place. When cleaning the tabletop make sure to use a soft, clean cloth that does not bleed color as well.

You may contact our customer service department with any questions by phone at 1-800-245-2217 or visit [www.homedecorators.com](http://www.homedecorators.com).

# Pre-Assembly

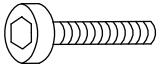
## PLANNING ASSEMBLY

It will take two people about 10 minutes to complete the assembly process.

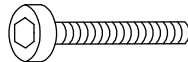
## HARDWARE INCLUDED



**NOTE:** Hardware not shown to actual size.



\_\_\_\_\_ AA



\_\_\_\_\_ BB



\_\_\_\_\_ CC



\_\_\_\_\_ DD

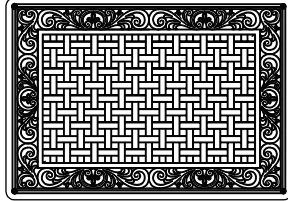


\_\_\_\_\_ EE

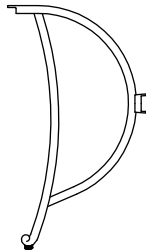
Part	Description	Quantity
AA	Bolt (M6x18)	4
BB	Bolt (M6x28)	8
CC	Washer	12
DD	Bolt cap	12
EE	Hex wrench	1

# Pre-Assembly (continued)

## PACKAGE CONTENTS



\_\_\_\_\_ A



\_\_\_\_\_ B



\_\_\_\_\_ C

Part	Description	Quantity
A	Table top	1
B	Table leg	4
C	Leg connector bracket	1

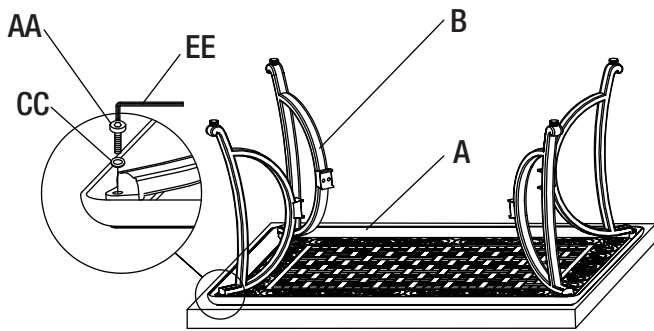
# Assembly

## 1 Attaching the table legs

- Place the table top (A) upside down on flat smooth surface.
- Attach the table legs (B) to the table top (A) with washers (CC) and bolts (AA), using the hex wrench (EE).

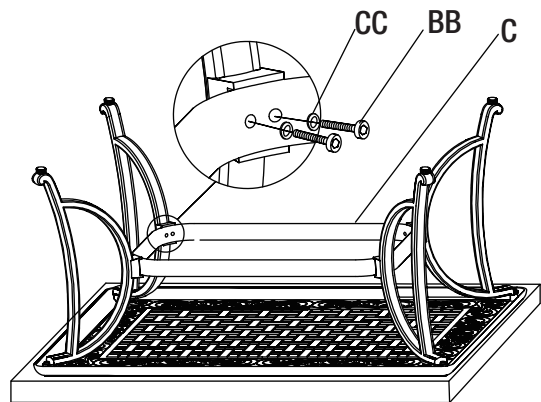


**IMPORTANT:** Do not fully tighten bolts (AA) until the end of Step 2.



## 2 Attaching the leg connector bracket

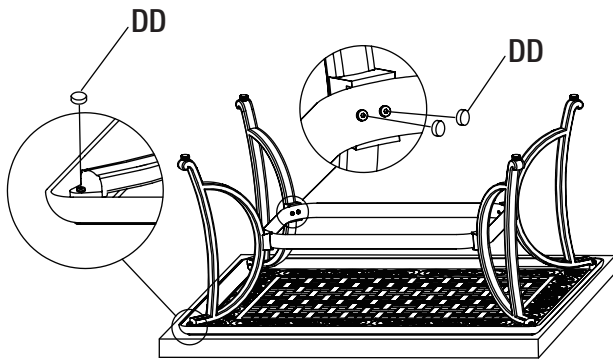
- Align the leg connector bracket (C) to the four table legs (B) and attach to the table legs (B) using washers (CC) and bolts (BB).
- Fully tighten all the bolts (BB) and (AA) with the hex wrench (EE).



## Assembly (continued)

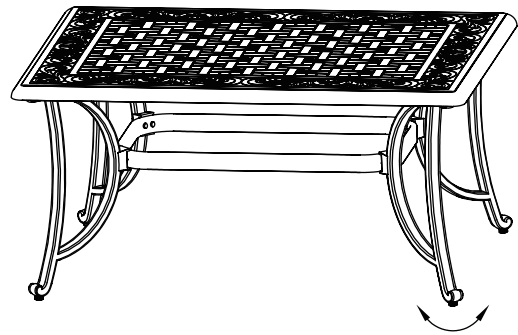
### 3 Attaching the bolt caps

- Cover all bolts (AA) and (BB) with bolt caps (DD).



### 4 Leveling the table

- Turn over the table and level the table with the glides at the bottom of each table leg.



**HOME**  
**DECORATORS**  
**COLLECTION**

**Questions, problems, missing parts? Before returning to the store,  
call Home Decorators Collection Customer Service  
8.00 a.m. – 6.00 p.m., EST, Monday-Friday**

**1-800-245-2217**

**[HOMEDECORATORS.COM](http://HOMEDECORATORS.COM)**

**Retain this manual for future use.**