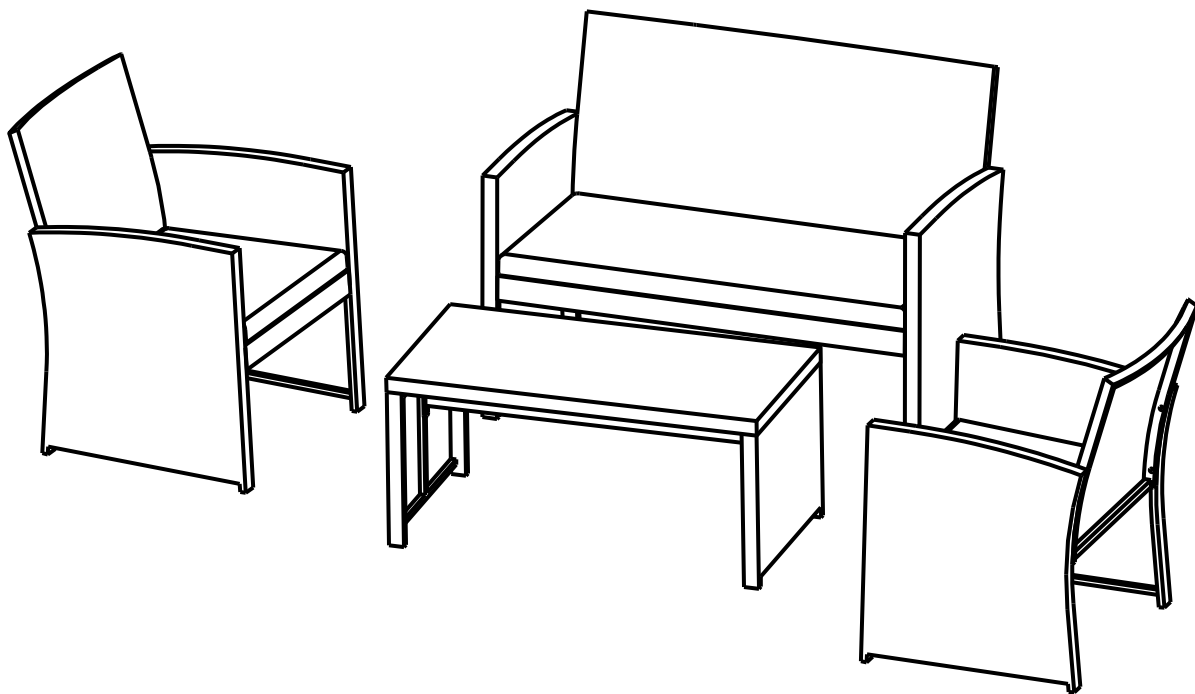




Item # 1003067290
/ 1003067291
Model # 16121601

USE AND CARE GUIDE

Park Trail 4-Piece Wicker Patio Conversation Set with Light Brown Cushions



Questions, problems, missing parts? Before returning to the store
call Hampton Bay Customer Service.

8 a.m. - 7 p.m., EST, Monday - Friday, 9 a.m. - 6 p.m., EST, Saturday

1-855-HD-HAMPTON

HAMPTONBAY.COM

THANK YOU

We appreciate the trust and confidence you have placed in Hampton Bay through the purchase of this conversation set. We strive to continually create quality products designed to enhance your home. Visit us online to see our full line of products available for your home improvement needs . Thank you for choosing Hampton Bay!

Table of Contents


Table of Contents.....	2	Pre-Assembly-Single Chair	3
Safety Information	2	Planning Assembly	3
Product Caution	2	Hardware Included	3
Safety Warnings	2	Package Contents.....	4
Warranty	2	Assembly-Single Chair	5
What is Covered	2	Care and Cleaning-Single Chair.....	7
What is Not Covered	2	Pre-Assembly- Love Seat.....	8
		Planning Assembly	8
		Hardware Included	8
		Package Contents.....	9
		Assembly- Love Seat.....	10
		Care and Cleaning-Love Seat.....	12
		Pre-Assembly-Coffee Table	13
		Planning Assembly	13
		Hardware Included	13
		Package Contents	14
		Assembly-Coffee Table	15
		Care and Cleaning-Coffee Table.....	17


Safety Information


PRODUCT CAUTION


This wicker set was made for the explicit purpose of providing outdoor functions and is not to be used as a toy. This product is not intended for inclement / severe weather in any form including, but not limited to: rain, hail, sleet, snow and / or wind. The manufacturer recommends storing and / or covering this wicker set when formidable weather is approaching. Do not locate the product near open flames. Children under the age of 10, near the product, should be supervised by a competent adult at all times. This product is NOT intended for commercial use and will void the warranty.

SAFETY WARNINGS

 **WARNING:** Never use this product as a support. Do not shake, lean, or climb on the product at any time.

 **CAUTION:** Do not locate the product near any heat source.

 **WARNING:** Do not place heavy objects on the table top.

 **CAUTION:** When not in use, secure the product in a cool and covered location.

Warranty

1 YEAR LIMITED WARRANTY

WHAT IS COVERED

We warrant the wicker set to be free of manufacturing defects to the original purchaser for one years.

WHAT IS NOT COVERED

It remains the customer's responsibility for freight and packaging charges to and from our service center. This warranty does not cover commercial use, hardware, acts of nature, fire, freezing and abusive use. In addition, purchased parts are not covered under this warranty. We reserve the right to make substitutions with similar merchandise, if the model in question is no longer in production.

Contact the Customer Service Team at 1-855-HD-HAMPTON or visit www.HamptonBay.com.

Pre-Assembly - Single Chair

PLANNING ASSEMBLY

Read all instructions before assembly.

To avoid damaging this product, assemble it on a soft, non-abrasive surface such as carpet or cardboard.



NOTE: More than one person may be required to assemble this product.

HARDWARE INCLUDED - SINGLE CHAIR



NOTE: Hardware not shown to actual size.



AA

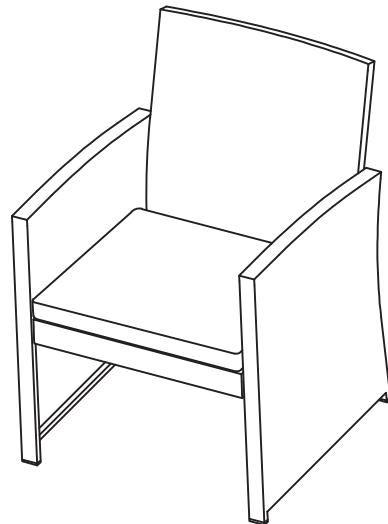


CC



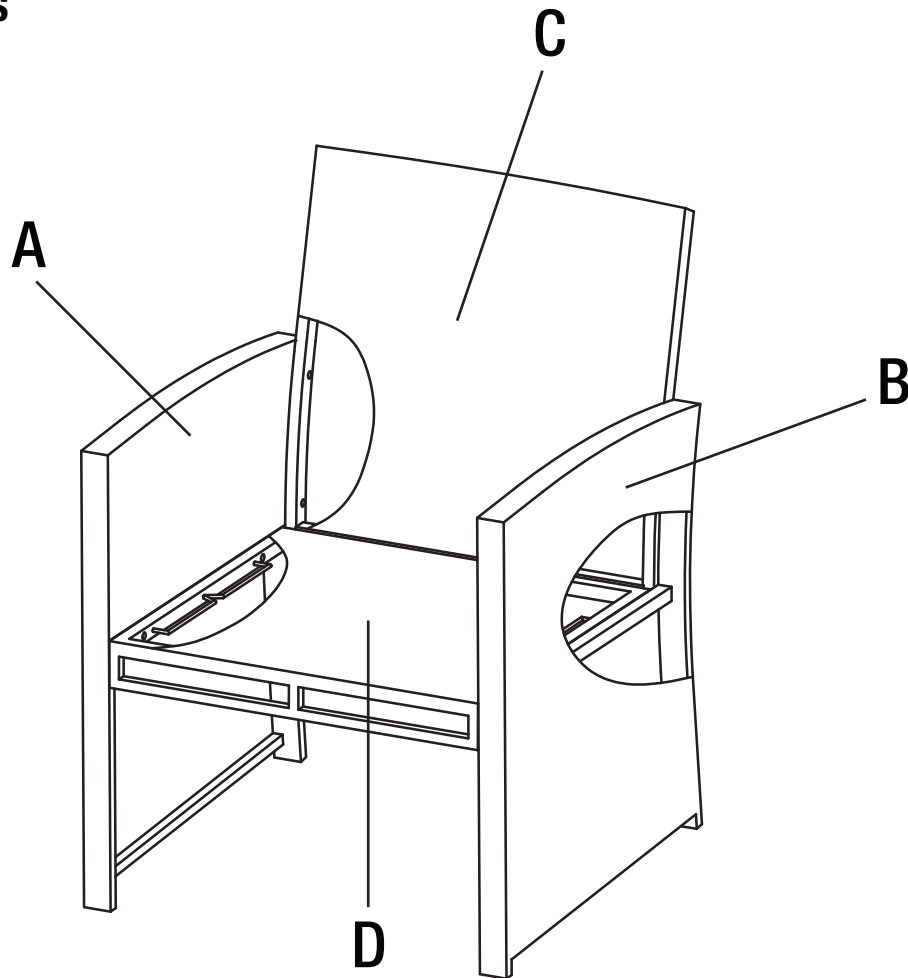
DD

Part	Description	Quantity
AA	Bolt M6*35	9
CC	Washer	9
DD	Hex Wrench	1



Pre-Assembly (continued)

PACKAGE CONTENTS

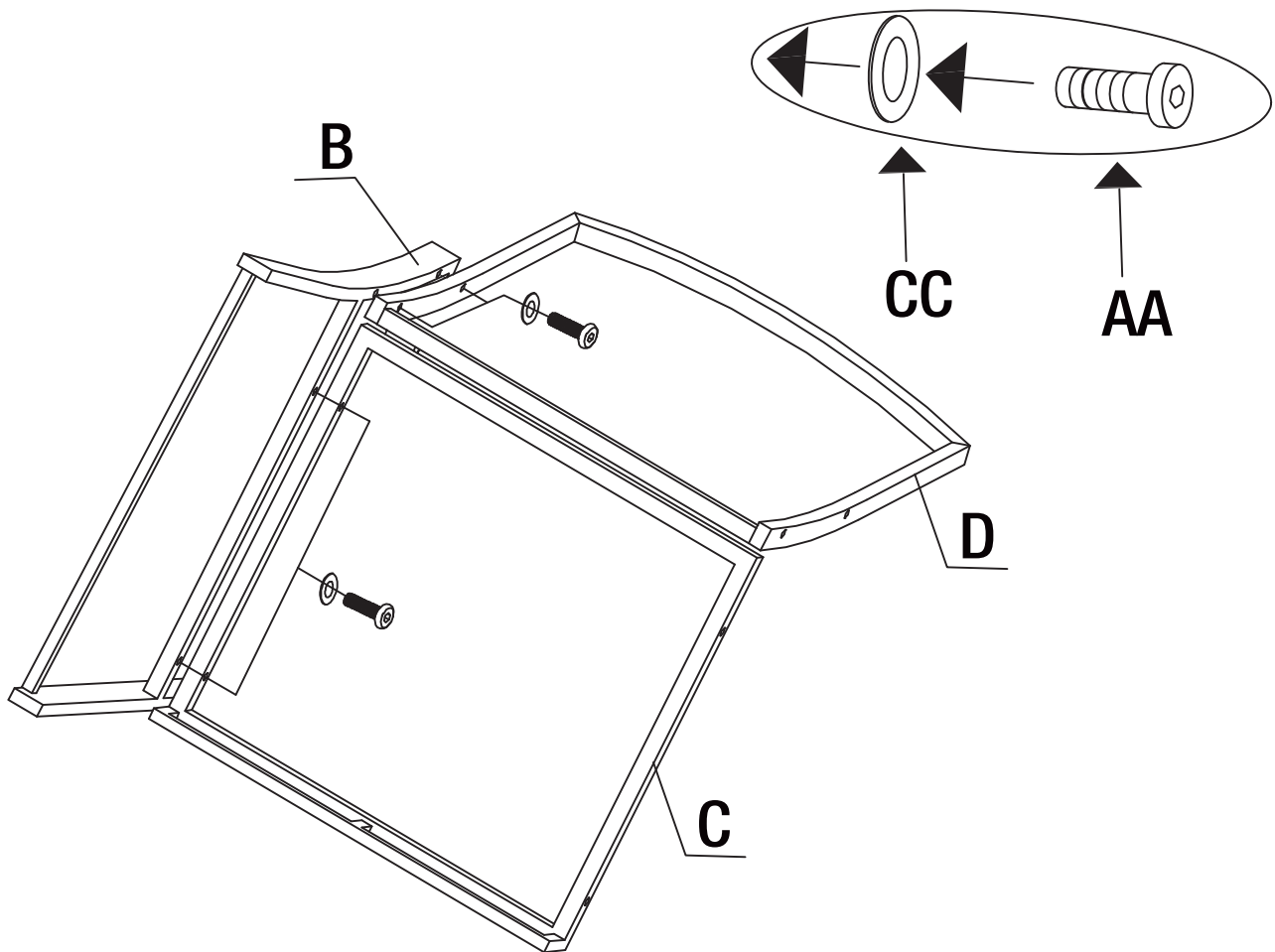


Part	Description	Quantity
A	Right Armrest	1
B	Left Armrest	1
C	Back	1
D	Seat	1

Assembly-Single Chair

1 Attaching the left armrest and seat to the back

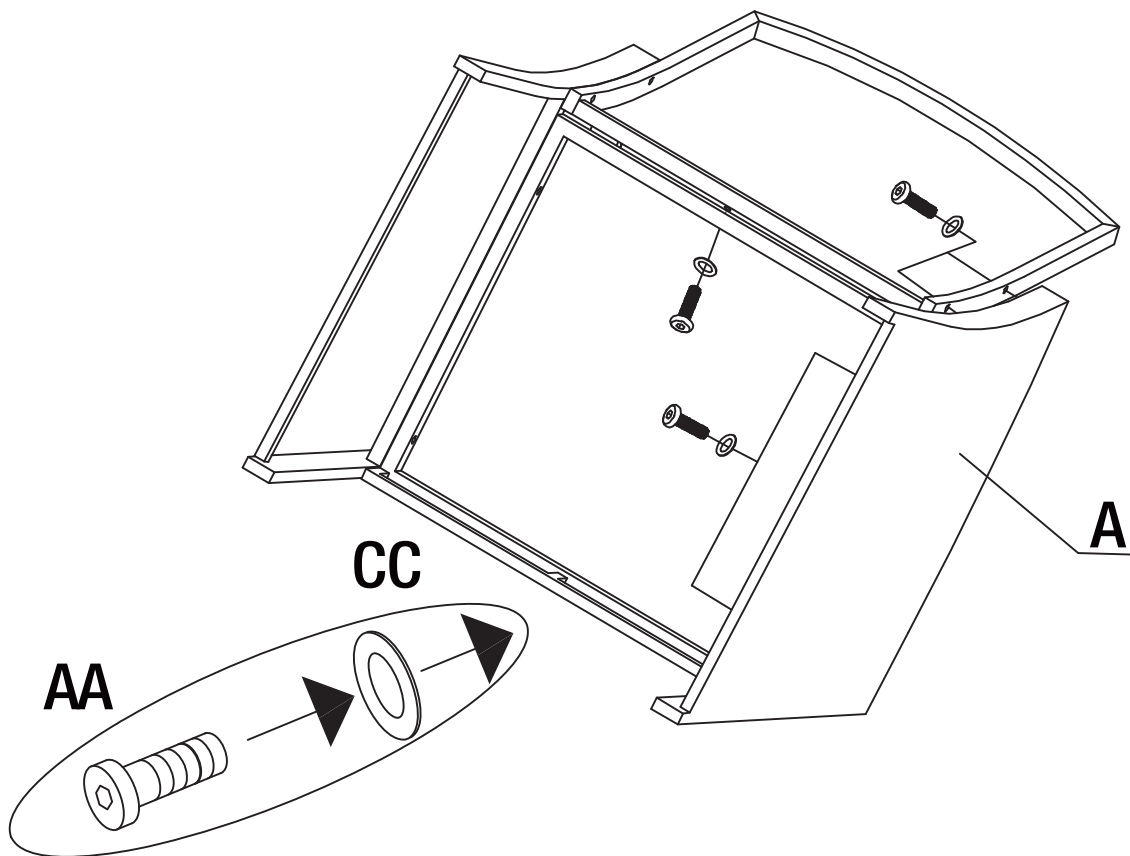
- Attach the left armrest (B) to the back (D) using bolts (AA) and washers (CC). Loosely tighten using the hex wrench (DD). Repeat for the seat (C).



Assembly (continued)

2 Attaching the right armrest

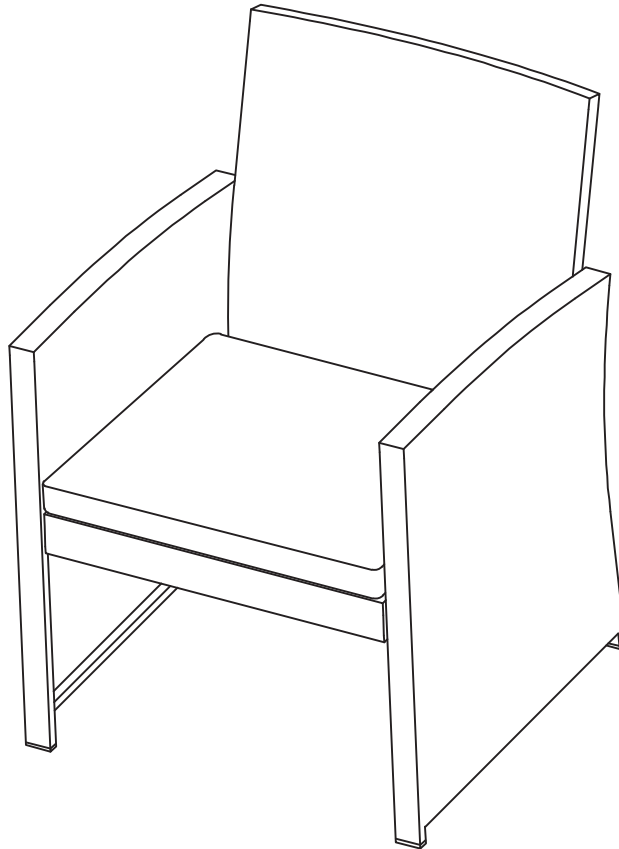
- Attach the right armrest (A) to the back (D) and seat (C) using bolts (AA) and washers (CC). Loosely tighten using the hex wrench (DD).



Assembly (continued)

3 Checking the single chair

- Fully tighten all bolts.
- Ensure all connections are secure before use.



Care and Cleaning-Single chair

- For best results, clean the chair with a damp cloth and dry thoroughly. This will help prevent mildew by removing dirt particles that may accumulate.
- Do not clean with abrasive materials, bleach, or solvents.
- Store the chair in a dry, sheltered place when not in use.
- Keep the chair away from fire, extreme heat, freezing conditions, and inclement weather such as rain, hail, sleet, snow, or wind.

Pre-Assembly - Love Seat

PLANNING ASSEMBLY

Read all instructions before assembly.

To avoid damaging this product, assemble it on a soft, non-abrasive surface such as carpet or cardboard.



NOTE: More than one person may be required to assemble this product.

HARDWARE INCLUDED - LOVE SEAT



NOTE: Hardware not shown to actual size.



AA

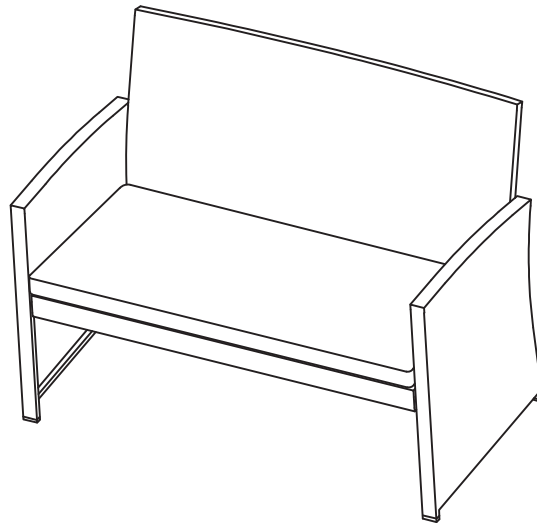


CC



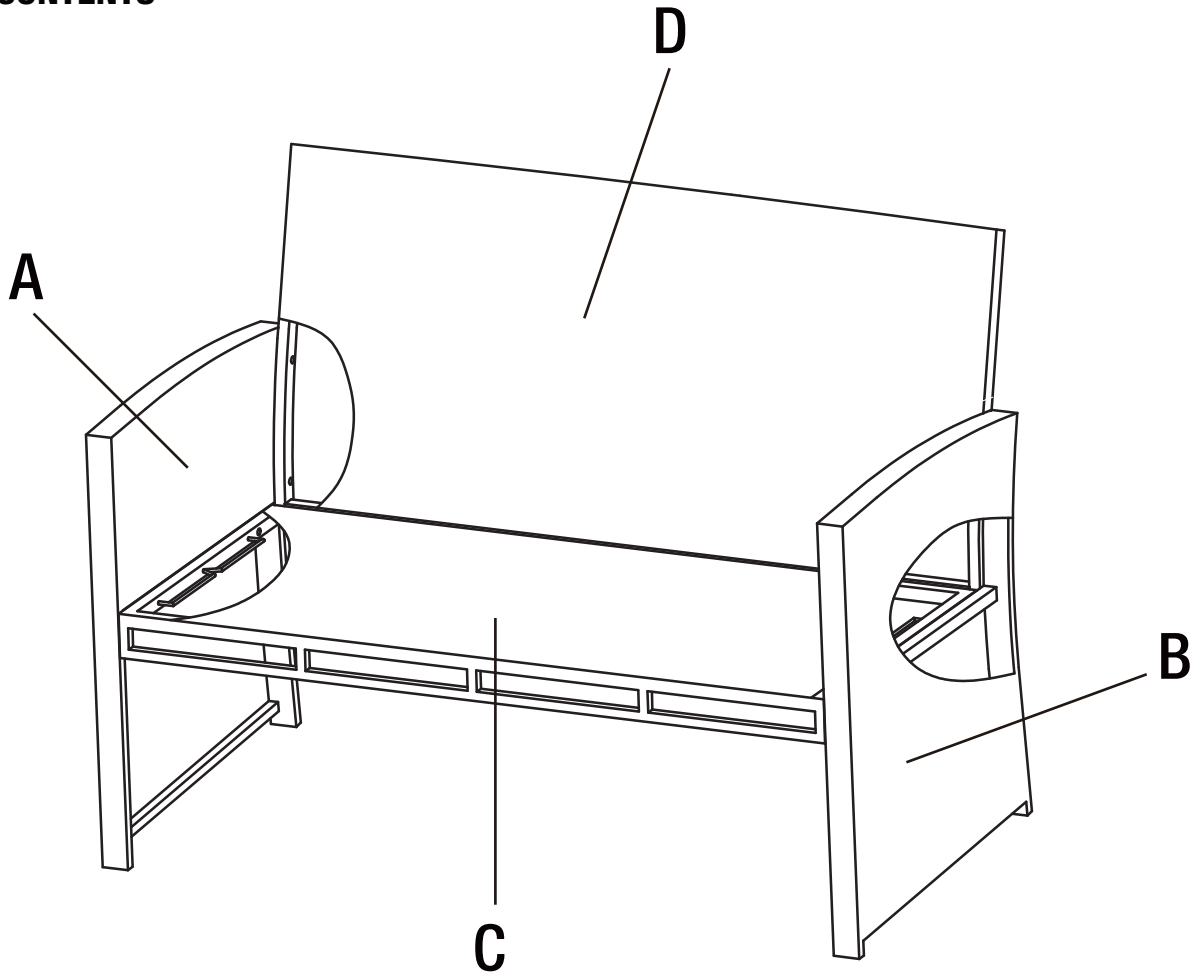
DD

Part	Description	Quantity
AA	Bolt M6*35	10
CC	Washer	10
DD	Hex Wrench	1



Pre-Assembly (continued)

PACKAGE CONTENTS

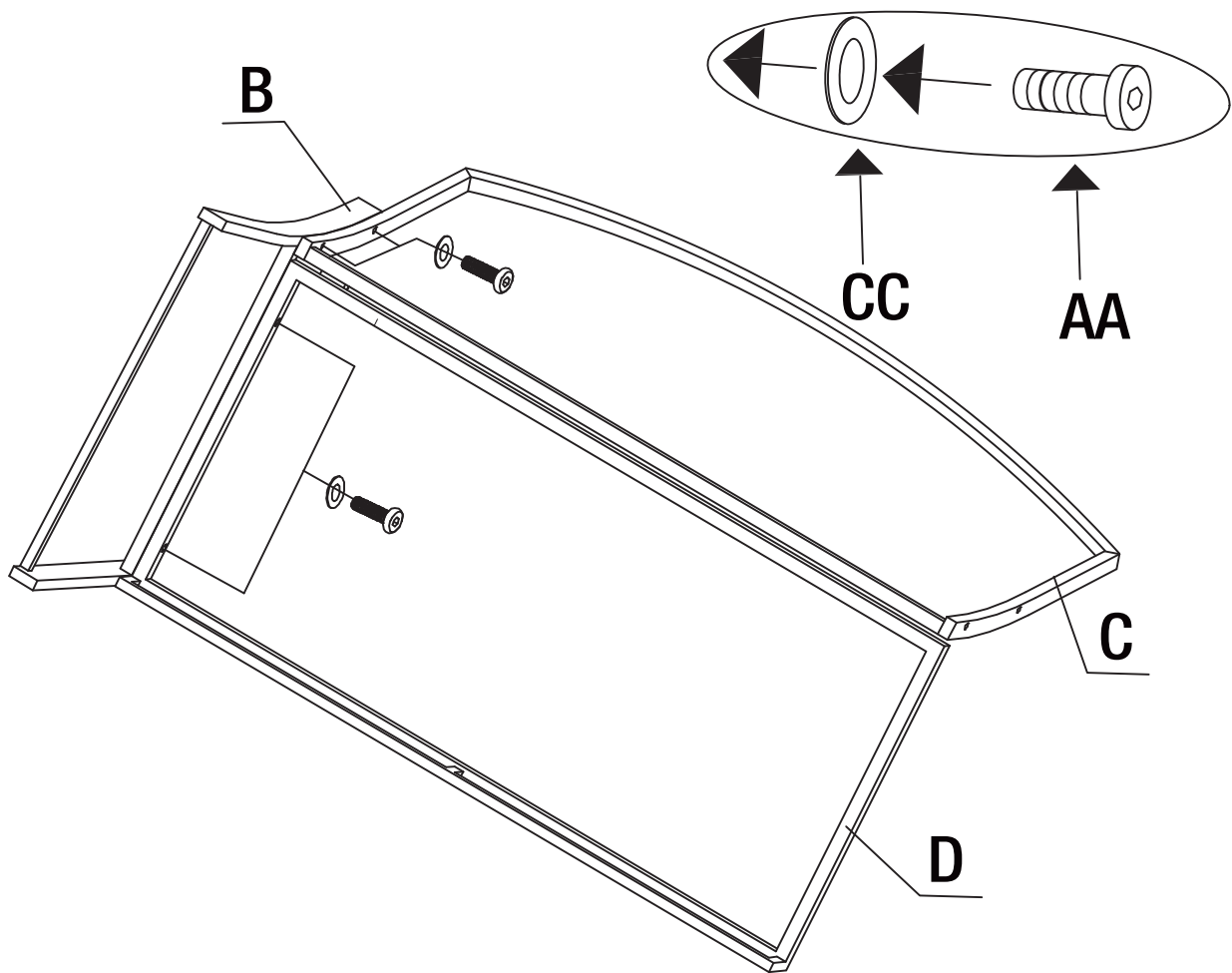


Part	Description	Quantity
A	Right Armrest	1
B	Left Armrest	1
C	Seat	1
D	Back	1

Assembly-Love Seat

1 Attaching the left armrest and seat to the back

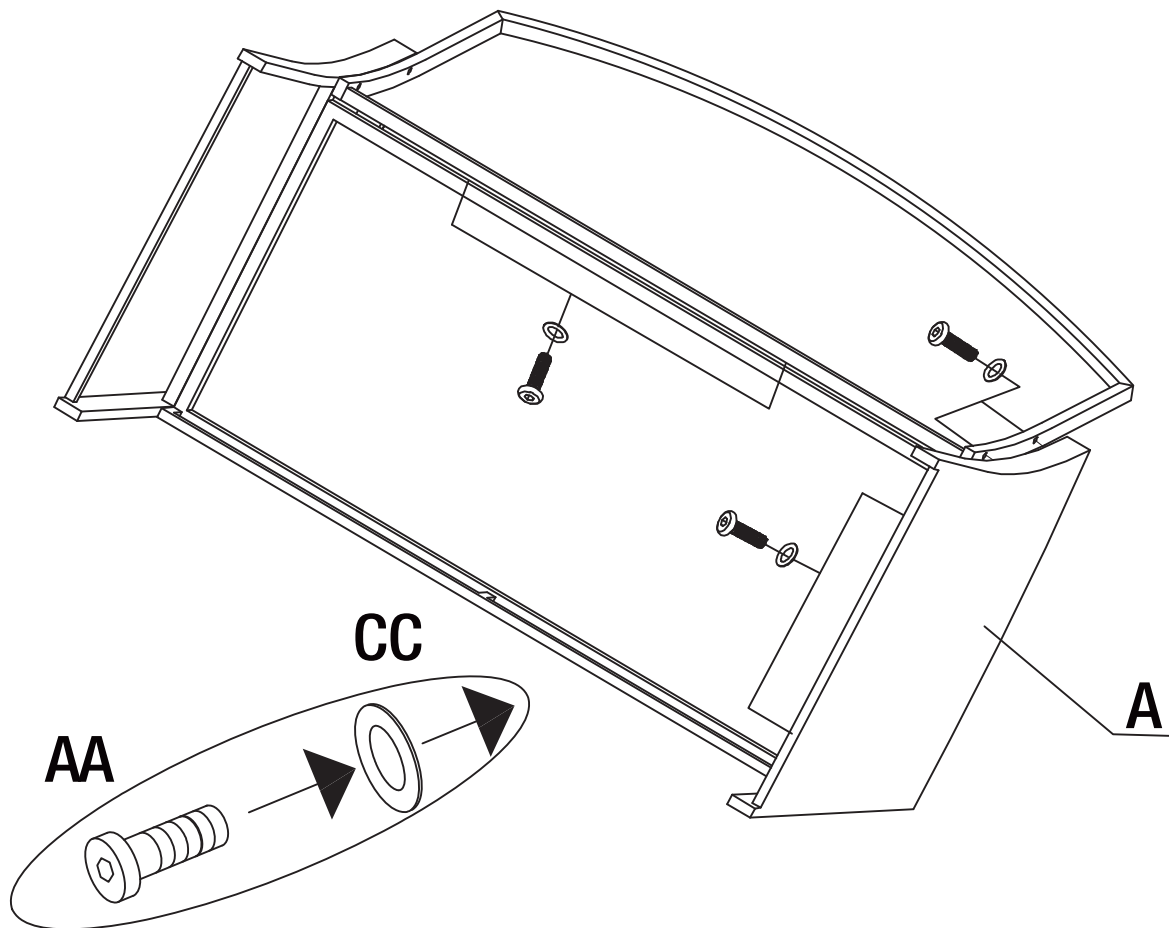
- Attach the left armrest (B) to the back (D) using bolts (AA) and washers (CC). Loosely tighten using the hex wrench (DD). Repeat for the seat (C).



Assembly (continued)

2 Attaching the right armrest

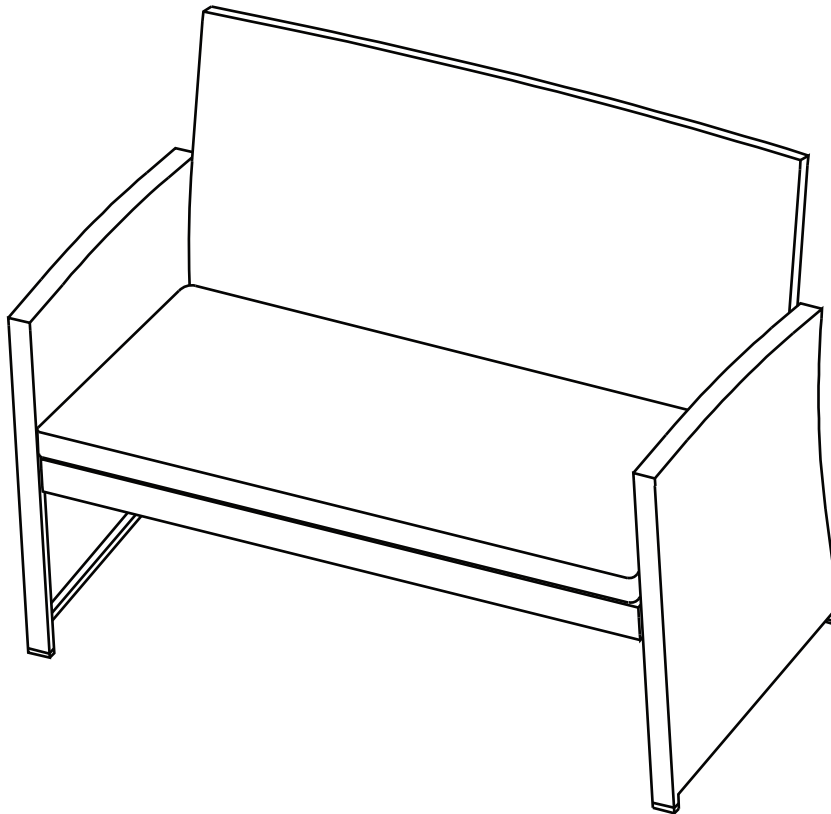
- Attach the right armrest (A) to the back (D) and seat (C) using bolts (AA) and washers (CC). Loosely tighten using the hex wrench (DD).



Assembly (continued)

3 Checking the Love Seat

- Fully tighten all bolts.
- Ensure all connections are secure before use.



Care and Cleaning-Love Seat

- For best results, clean the chair with a damp cloth and dry thoroughly. This will help prevent mildew by removing dirt particles that may accumulate.
- Do not clean with abrasive materials, bleach, or solvents.
- Store the chair in a dry, sheltered place when not in use.
- Keep the chair away from fire, extreme heat, freezing conditions, and inclement weather such as rain, hail, sleet, snow, or wind.

Pre-Assembly - Table

PLANNING ASSEMBLY

Read all instructions before assembly.

To avoid damaging this product, assemble it on a soft, non-abrasive surface such as carpet or cardboard.



NOTE: More than one person may be required to assemble this product.

HARDWARE INCLUDED - TABLE



NOTE: Hardware not shown to actual size.



AA



BB

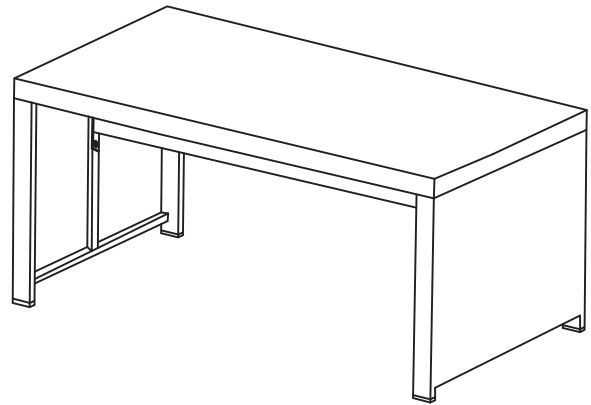


CC



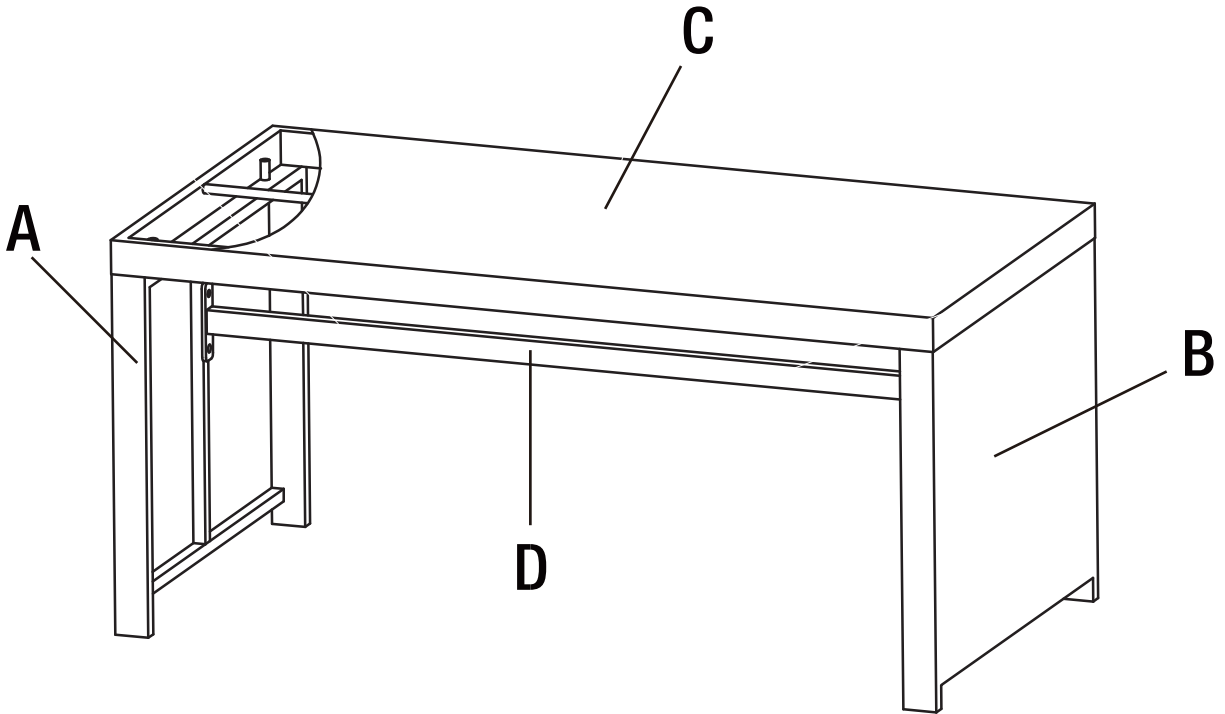
DD

Part	Description	Quantity
AA	Bolt M6*15	4
BB	Bolt M6*35	4
CC	Washer	8
DD	Hex Wrench	1



Pre-Assembly (continued)

PACKAGE CONTENTS

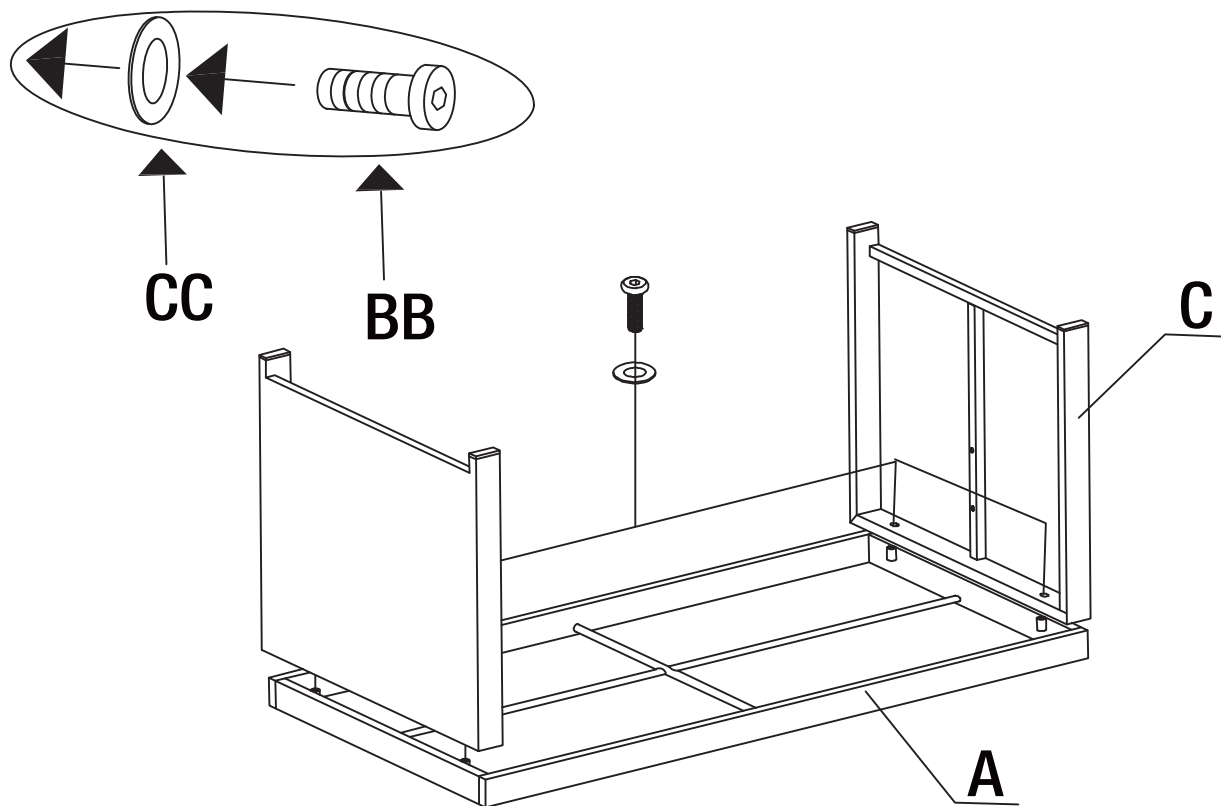


Part	Description	Quantity
A	Right Table Plate	1
B	Left Table Plate	1
C	Table Top	1
D	Support Tube	1

Assembly-Table

1 Attaching the right table plate and left table plate to the table top.

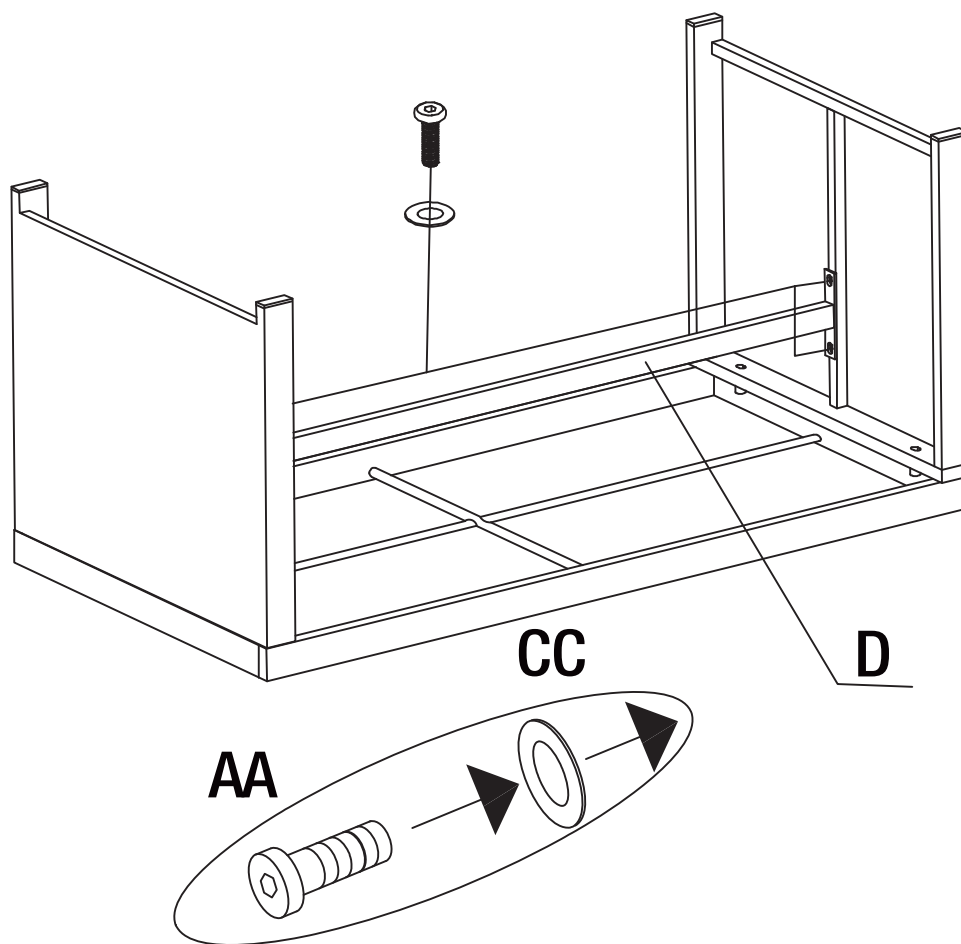
- Attach the right table plate (B) to the table top (A) using bolts (BB) and washers (CC). Loosely tighten using the hex wrench (DD). Repeat for the left table plate (C).



Assembly (continued)

2 Attaching the support tube

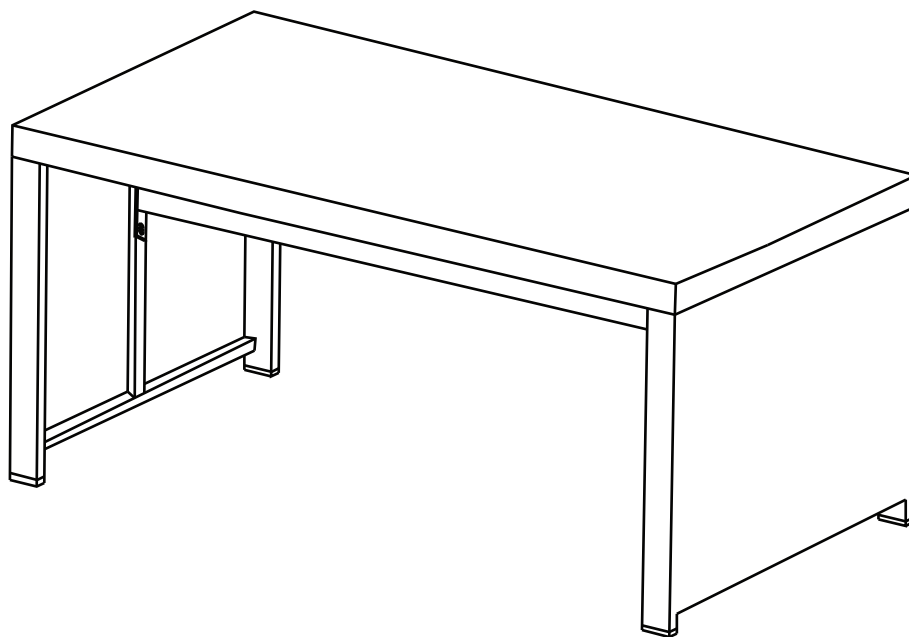
- Attach the support tube (D) to the table plate (B & C) using bolts (AA) and washers (CC). Loosely tighten using the hex wrench (DD).



Assembly (continued)

3 Checking the table

- Fully tighten all bolts.
- Ensure all connections are secure before use.



Care and Cleaning-Table

- For best results, clean the chair with a damp cloth and dry thoroughly. This will help prevent mildew by removing dirt particles that may accumulate.
- Do not clean with abrasive materials, bleach, or solvents.
- Store the chair in a dry, sheltered place when not in use.
- Keep the chair away from fire, extreme heat, freezing conditions, and inclement weather such as rain, hail, sleet, snow, or wind.



Questions, problems, missing parts? Before returning to the store,
call Hampton Bay Customer Service.
8 a.m. - 7 p.m., EST, Monday - Friday, 9 a.m. - 6 p.m., EST, Saturday

1-855-HD-HAMPTON

HAMPTONBAY.COM

Retain this manual for future use.